

**PLEASE CHECK WWW.MOLEX.COM FOR LATEST PART INFORMATION**

**Part Number:** [0528081770](#)  
**Status:** **Active**  
**Overview:**  
**Description:** 1.00mm (.039") Pitch FFC/FPC Connector, SMT, Vertical, Non-ZIF Receptacle, 17 Circuits, Lead-free

**Agency Certification**

UL E29179

**General**

Product Family FFC/FPC Connectors  
 Series 52808  
 Overview ffc\_fpc\_smt  
 Product Name N/A

**Physical**

Circuits (Loaded) 17  
 Circuits (maximum) 17  
 Color - Resin Natural  
 Contact Position N/A  
 Durability (mating cycles max) 10  
 Entry Angle N/A  
 Flammability 94V-0  
 Mated Height (in) 0.199 In  
 Mated Height (mm) 5.05 mm  
 Material - Metal Phosphor Bronze  
 Material - Plating Mating Tin-Bismuth  
 Material - Plating Termination Tin-Bismuth  
 Material - Resin High Temperature Thermoplastic  
 Number of Rows 1  
 Orientation Vertical  
 PCB Locator No  
 PCB Retention None  
 Packaging Type Embossed Tape on Reel  
 Pitch - Mating Interface (in) 0.039 In  
 Pitch - Mating Interface (mm) 1.00 mm  
 Pitch - Term. Interface (in) 0.039 In  
 Pitch - Term. Interface (mm) 1.00 mm  
 Plating min: Mating (µin) 40  
 Plating min: Mating (µm) 1  
 Plating min: Termination (µin) 40  
 Plating min: Termination (µm) 1  
 Polarized to PCB No  
 Stackable No  
 Surface Mount Compatible (SMC) Yes  
 Temperature Range - Operating -20°C to +80°C  
 Termination Interface: Style Surface Mount  
 Wire/Cable Type FFC/FPC

**Electrical**

Current - Maximum per Contact 0.5A  
 Voltage - Maximum 125V AC (RMS)/DC

**Material Info**

**Reference - Drawing Numbers**

Packaging Specification SPK-52808-001

**EU RoHS**

**ELV and RoHS  
Compliant**

**REACH SVHC**

**Contains SVHC: No**

**Halogen-Free**

**Status**

**Not Reviewed**

**China RoHS**



**Need more information on product  
environmental compliance?**

Email [productcompliance@molex.com](mailto:productcompliance@molex.com)  
 For a multiple part number RoHS Certificate of  
 Compliance, [click here](#)

Please visit the [Contact Us](#) section for any  
 non-product compliance questions.

**Search Parts in this Series**

52808Series

Product Specification

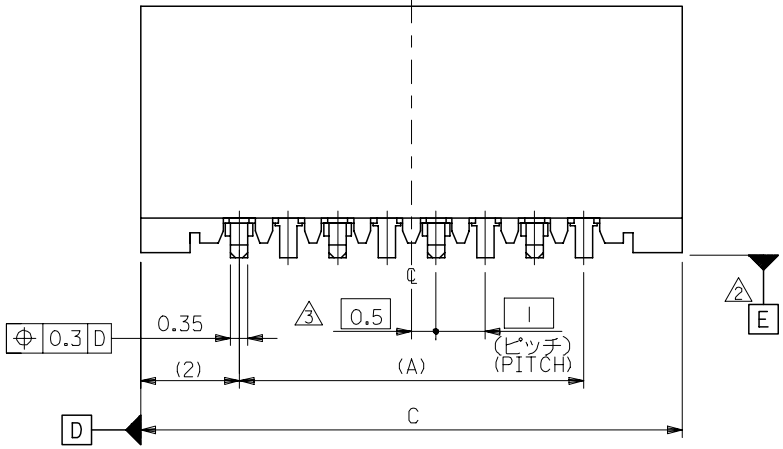
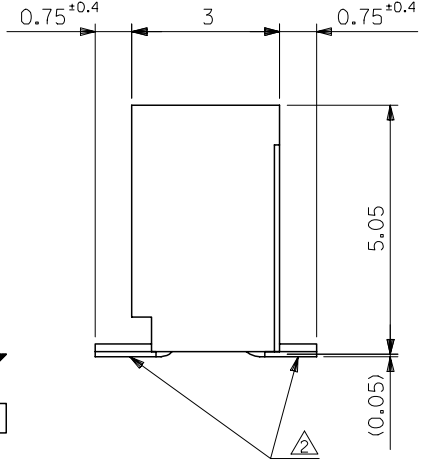
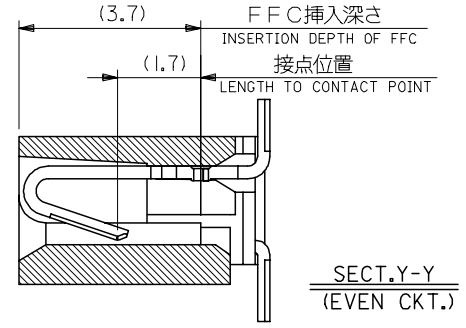
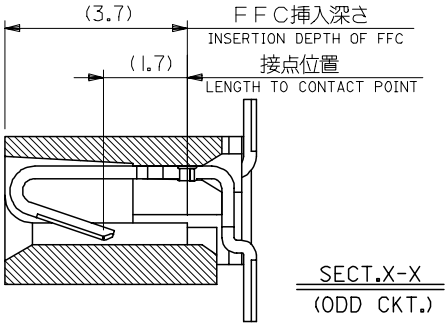
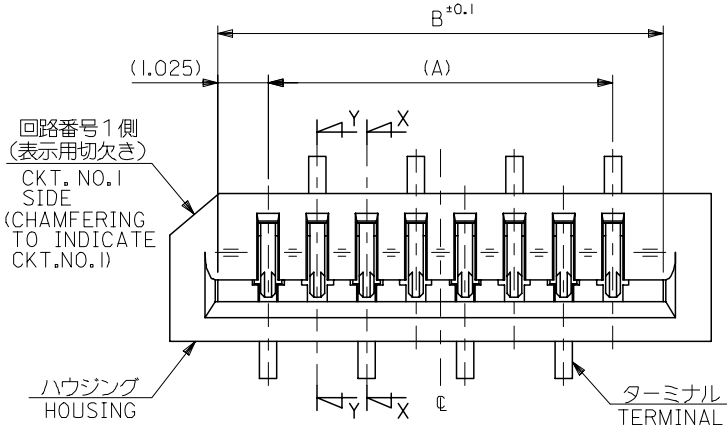
Sales Drawing

PS-52808-004, RPS-52808-039, RPS-52808-044,  
RPS-52808-045, RPS-52808-047, RPS-52808-048,  
RPS-52808-049  
SD-52808-027, SD-52808-028

This document was generated on 06/05/2010

**PLEASE CHECK [WWW.MOLEX.COM](http://WWW.MOLEX.COM) FOR LATEST PART INFORMATION**

10 9 8 7 6 5 4 3 2 1



33	31.05	29	52808-3019	30
32	30.05	28	-2919	29
31	29.05	27	-2819	28
30	28.05	26	-2719	27
29	27.05	25	-2619	26
28	26.05	24	-2519	25
27	25.05	23	-2419	24
26	24.05	22	-2319	23
25	23.05	21	-2219	22
24	22.05	20	-2119	21
23	21.05	19	-2019	20
22	20.05	18	-1919	19
21	19.05	17	-1819	18
20	18.05	16	-1719	17
19	17.05	15	-1619	16
18	16.05	14	-1519	15
17	15.05	13	-1419	14
16	14.05	12	-1319	13
15	13.05	11	-1219	12
14	12.05	10	-1119	11
13	11.05	9	-1019	10
12	10.05	8	-0919	9
11	9.05	7	-0819	8
10	8.05	6	-0719	7
9	7.05	5	-0619	6
8	6.05	4	-0519	5
7	5.05	3	52808-0419	4

注記 NOTES:

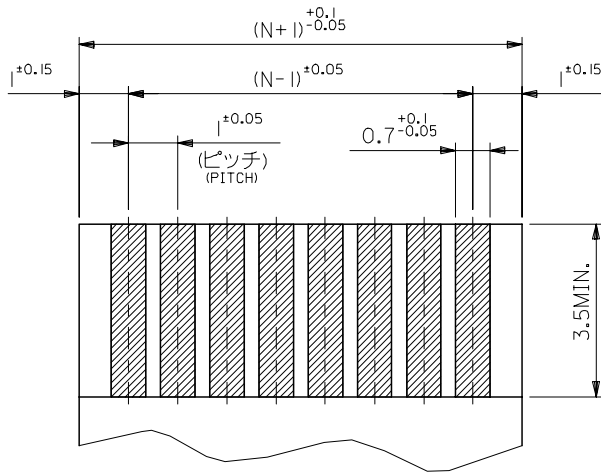
1. 使用材料 MATERIAL  
 ハウジング: PPS, UL94V-0 HOUSING : PPS, UL94V-0  
 ターミナル: リン青銅 ( $\pm 0.25$ ) TERMINAL : PHOSPHOR BRONZE  
 メッキ: ニッケル下地鍍ビスマスメッキ PLATING : TIN-BISMUTH OVER NICKEL

② 基準面 [E] からのソルダーテールの半田付け面のズレ量は、  
 上方向に0.1 MAX. 下方向0.15 MAX. とする。  
 MISALIGNMENT OF SOLDER TAIL FROM [E]  
 : UPPER DIRECTION 0.1 MAX. , LOWER DIRECTION 0.15 MAX.

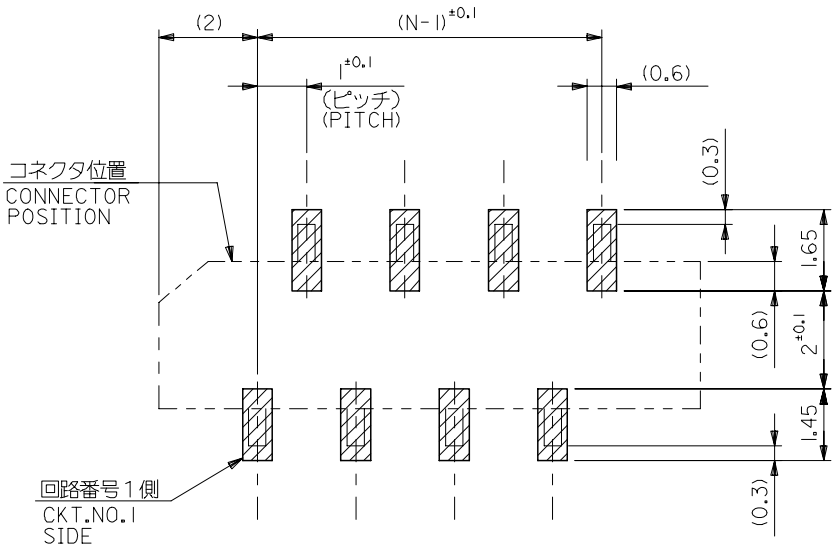
③ 偶数極に適用。  
 APPLY FOR EVEN CKT.

4. 本製品は52808-\*\*-10の鉛フリー品である。  
 THIS PRODUCT IS LEAD FREE OF 52808-\*\*-10

REVISED EC NO: J2006-1497 DRW: NABE1 2005/11/04 CHK: KYOYODA 2005/11/07 APP: NUKITA 2005/11/11	GENERAL TOLERANCES (UNLESS SPECIFIED)		DIMENSION STYLE MM ONLY		SCALE ---	DESIGN UNITS METRIC	THIRD ANGLE PROJECTION
	10 UNDER	$\pm 0.2$	DRAWN BY M. NABE1	DATE '04/02/19	TITLE 1.0 FFC CONN. NON ZIF SMT. ST. -LEAD FREE-		
	10 OVER 30 UNDER	$\pm 0.25$	CHECKED BY M. SASAO	DATE '04/02/19	MOLEX INCORPORATED		
	30 OVER	$\pm 0.3$	APPROVED BY M. SASAO	DATE '04/02/19	DOCUMENT NO. SD-52808-027		
A	ANGULAR	$\pm 3^\circ$	MATERIAL NO. SEE CHART		SHEET NO. 1 OF 1		
DRAFT WHERE APPLICABLE MUST REMAIN WITHIN DIMENSIONS							
SIZE A3 THIS DRAWING CONTAINS INFORMATION THAT IS PROPRIETARY TO MOLEX INCORPORATED AND SHOULD NOT BE USED WITHOUT WRITTEN PERMISSION							



(仕上がり厚さ)  $0.3 \pm 0.03$   
THICKNESS  
適合FPC推奨寸法  
APPLICABLE FPC  
RECOMMENDED DIMENSION.



参考基板レイアウト (マウント面)  
RECOMMENDED P.C. BOARD  
PATTERN DIMENSION. (REF.)  
(MOUNTING AREA)

FPCについて:

- 打抜き方向は、導体側から補強板側を推奨いたします。
- 補強フィルム材質は、ポリイミドを推奨いたします。
- 接着剤は、熱硬化接着剤を推奨いたします。

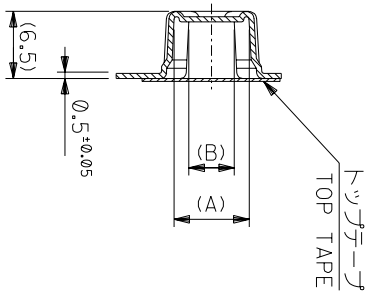
ABOUT FPC:

RECOMMENDED PUNCHER DIRECTION : FROM CONDUCTOR SIDE TO STIFFENER BOARD SIDE.

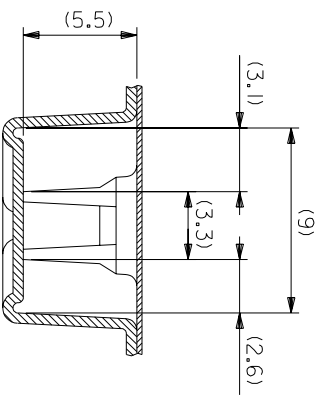
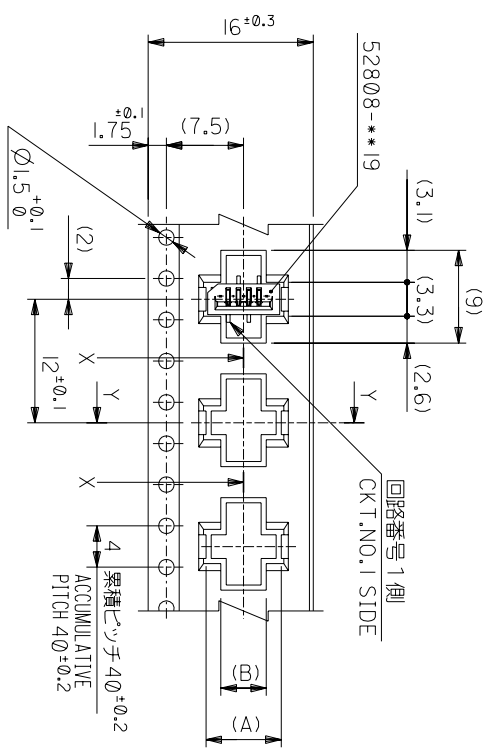
RECOMMENDED MATERIAL :  
STIFFENER FILM : POLYIMIDE  
BONDING AGENT : THERMOSETTING BONDING AGENT

REVISED EC NO: J2006-1497 DRWN: NABEI 2005/11/04 CHKDK: TOYODA 2005/11/07 APPR: NUKITA 2005/11/11 A	GENERAL TOLERANCES (UNLESS SPECIFIED)		DIMENSION STYLE MM ONLY		SCALE ---	DESIGN UNITS METRIC	THIRD ANGLE PROJECTION	
	10 UNDER	±0.2	DRAWN BY M. NABEI	DATE '04/02/19	TITLE 1.0 FFC CONN. NON ZIF SMT. ST. -LEAD FREE-			
	10 <sup>0</sup> OVER 30 UNDER	±0.25	CHECKED BY M. SASAO	DATE '04/02/19	MOLEX INCORPORATED			
	30 OVER	±0.3	APPROVED BY M. SASAO	DATE '04/02/19	MATERIAL NO. SEE CHART		DOCUMENT NO. SD-52808-027	SHEET NO. 2 OF 2
	ANGULAR	±3 °	DRAFT WHERE APPLICABLE MUST REMAIN WITHIN DIMENSIONS		THIS DRAWING CONTAINS INFORMATION THAT IS PROPRIETARY TO MOLEX INCORPORATED AND SHOULD NOT BE USED WITHOUT WRITTEN PERMISSION			





SECT.Y-Y



16mm幅キヤリヤテープ  
16mm WIDTH CARRIER TAPE

角度 ANGLE	±3°
30 以上	±0.2
10 以下	±0.25
10 以下	±0.2
10 以下	±0.2

記号 LTR	0	新規作成 (2004-2528)
DR-CHK.	MAN/M.S	DATE
REVISION RECORD		

MODEL NO.	52808-**-70	16	17.5	5.4	8.3	52808-0570	5
CARRIER TAPE WIDTH				4.4	7.3	52808-0470	4
MATERIAL NO.					(A)		種数 CKT.

材料 MATERIAL SHEET 1 OF 6 参照 REFER TO SHEET 1 OF 6

仕上げ FINISH #

適用電線範囲 WIRE RANGE #

積層外径 INS. RANGE #

DRAWN BY 04/02/19 CHK'D BY 04/02/19  
M.NABEI M.SASAO

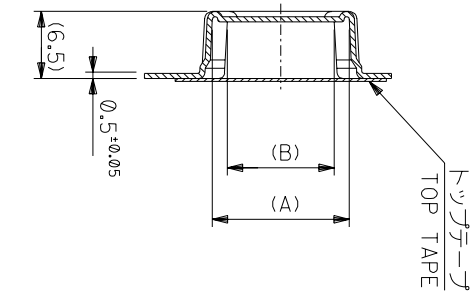
尺度 SCALE #

REVISE ONLY ON CAD SYSTEM

TITLE 名称  
I.O FFC CONN NON ZIF  
SMT ST EmbsTD PKG  
-LEAD FREE-

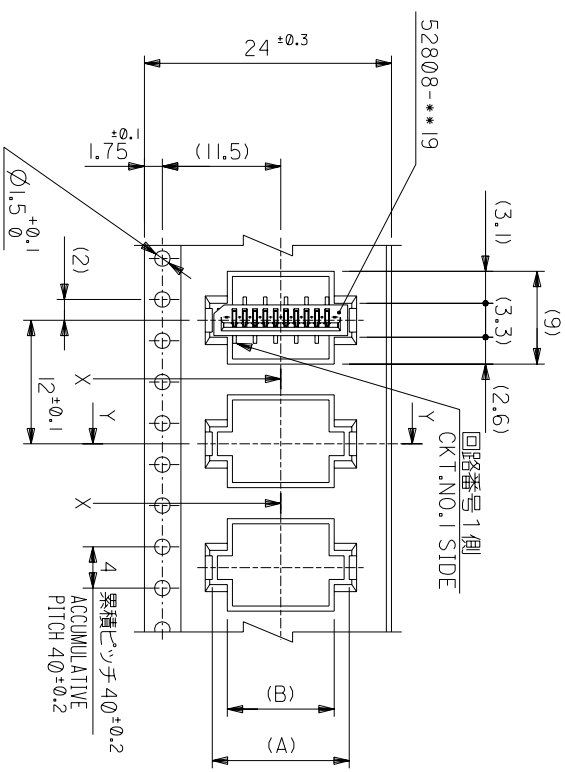
DWG. NO. SD-52808-028 (SHEET 2 OF 6)  
REV 0

THIS DRAWING CONTAINS INFORMATION THAT IS PROPRIETARY TO MOLEX(JAPAN) AND SHOULD NOT BE USED WITHOUT WRITTEN PERMISSION  
本図面は日本モリス(株)の所有する情報を含むもので 当社の許可なく複製を禁止する。

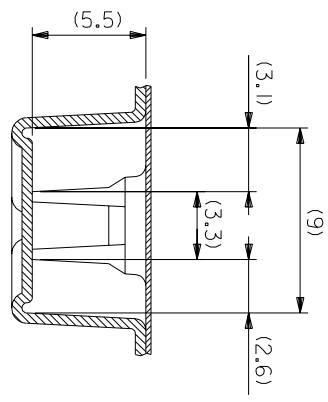


SECT:Y-Y

24mm幅キャリアテープ  
24mm WIDTH CARRIER TAPE



引き出し方向  
PULL OUT DIRECTION



SECT:X-X  
(SCALE:4-1)

MODEL NO.	52808-**70	キャリアテープ幅 CARRIER TAPE WIDTH	C	(B)	(A)	種数 CKT.
	24	25.5	10.4	13.3	52808-1070	10
			9.4	12.3	52808-0970	9
			8.4	11.3	52808-0870	8
			7.4	10.3	52808-0770	7
			6.4	9.3	52808-0670	6

材料 MATERIAL SHEET 10F 6 参照 REFER TO SHEET 10F 6  
仕上げ FINISH #  
適用電線範囲 WIRE RANGE #  
検査外径 INS. RANGE #  
DRAWN BY 04/02/19 CHK'D BY 04/02/19  
M.NABEY M.SASAO  
APP'D BY 04/02/19 SCALE #  
M.SASAO

角度 ANGLE	±3°
30 以上	±0.2
10 以下	±0.25
10 以下	±0.2

一般公差 GENERAL TOLERANCES	記号 LTR	変更内容 REVISION RECORD	DR- CHK.	日付 DATE
	0	新規作成 (12004-2528)	M.N. M.S	04/02/19

角度 ANGLE ±3°  
30 以上 ±0.2  
10 以下 ±0.25  
10 以下 ±0.2  
一般公差 GENERAL TOLERANCES  
記号 LTR 0  
変更内容 REVISION RECORD  
新規作成 (12004-2528)  
DR-CHK. M.N. M.S  
日付 DATE 04/02/19  
DRAWN BY 04/02/19 CHK'D BY 04/02/19  
M.NABEY M.SASAO  
APP'D BY 04/02/19 SCALE #  
M.SASAO  
TITLE 名称  
REVISE ONLY ON CAD SYSTEM  
1.0 FFC Conn NON ZIF  
SMT ST Embs+D PKG  
-LEAD FREE-  
DWG. NO. SD-52808-028 (SHEET 3 OF 6)  
REV 0

THIS DRAWING CONTAINS INFORMATION THAT IS PROPRIETARY TO MOLEX(JAPAN) AND SHOULD NOT BE USED WITHOUT WRITTEN PERMISSION  
本図面は日本モリス(株)の所有する権利を有するもので 当社の許可なく複製を禁止する。  
SD-52808-028.S03







