

PLEASE CHECK WWW.MOLEX.COM FOR LATEST PART INFORMATION

Part Number: [0483077012](#)
Status: **Active**
Overview: high definition multimedia interface hdmi
Description: 0.50mm (.020") Pitch HDMI* Receptacle, Vertical, SMT, with support, Gold(Au) Flash Plating, Pick-and-Place Cover, 19 Circuits, Tape on Reel Packaging, Lead free

Documents:

[Drawing \(PDF\)](#) [RoHS Certificate of Compliance \(PDF\)](#)
[Product Specification PS-48307-901 \(PDF\)](#)

General

Product Family	I/O Connectors
Series	48307
Application	Wire-to-Board
Comments	With Support
Component Type	Receptacle
Overview	high definition multimedia interface hdmi
Product Name	HDMI
Type	N/A

Physical

Boot Color	N/A
Circuits (Loaded)	19
Circuits (maximum)	19
Color - Resin	Black
Gender	Male
Keying to Mating Part	Yes
Lock to Mating Part	Yes
Material - Metal	Copper Alloy
Material - Plating Mating	Gold
Material - Plating Termination	Tin
Material - Resin	High Temperature Thermoplastic
Number of Rows	2
Orientation	Vertical
PCB Locator	Yes
PCB Retention	Yes
Packaging Type	Embossed Tape on Reel
Panel Mount	With Flange
Pitch - Mating Interface (in)	0.020 In
Pitch - Mating Interface (mm)	0.50 mm
Pitch - Term. Interface (in)	0.020 In
Pitch - Term. Interface (mm)	0.50 mm
Plating min: Mating (µin)	2
Plating min: Mating (µm)	0.05
Plating min: Termination (µin)	39
Plating min: Termination (µm)	1
Polarized to Mating Part	Yes
Polarized to PCB	Yes
Ports	1
Temperature Range - Operating	-20°C to +85°C
Termination Interface: Style	Surface Mount
Waterproof / Dustproof	No
Wire Size AWG	N/A

Electrical

Current - Maximum per Contact	0.5A
-------------------------------	------

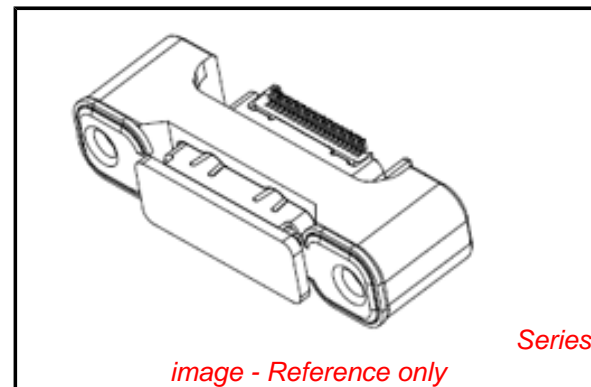


image - Reference only

EU RoHS

**ELV and RoHS
Compliant**
REACH SVHC
 Not Reviewed
**Halogen-Free
Status**

China RoHS



**Need more information on product
environmental compliance?**

Email productcompliance@molex.com
 For a multiple part number RoHS Certificate of Compliance, [click here](#)

Please visit the [Contact Us](#) section for any non-product compliance questions.

Search Parts in this Series
[48307Series](#)

Voltage - Maximum 40V AC

Solder Process Data

Duration at Max. Process Temperature (seconds)	3
Lead-free Process Capability	Reflow Capable (SMT only)
Max. Cycles at Max. Process Temperature	1
Process Temperature max. C	260

Material Info

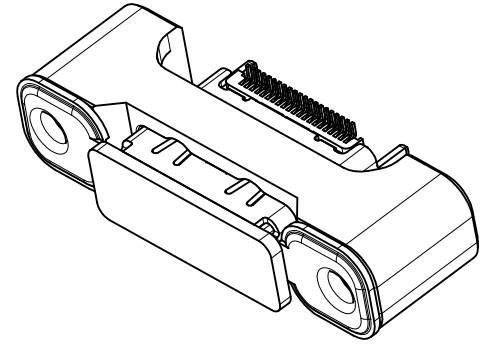
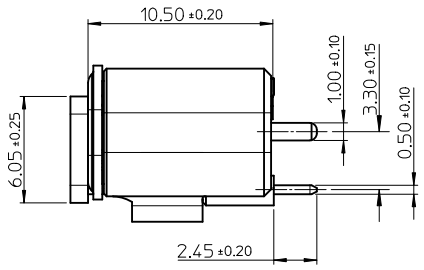
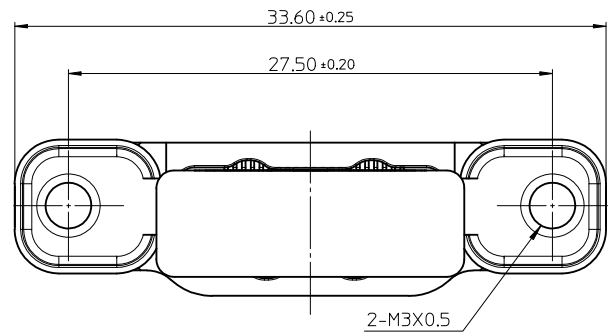
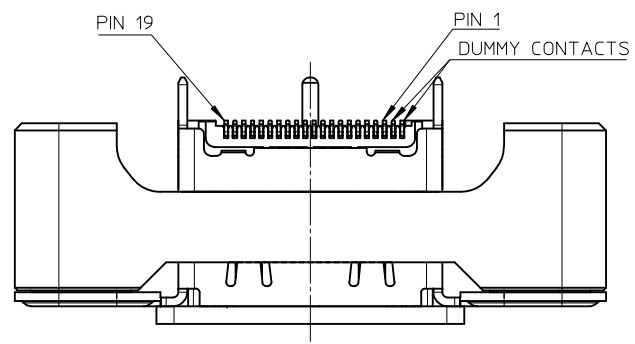
Reference - Drawing Numbers

Packaging Specification	PK-48307-722
Product Specification	PS-48307-901
Sales Drawing	SD-48307-722
Test Summary	TS-48307-001

* High Definition Multimedia Interface and HDMI are trademarks of HDMI Licensing, LLC.

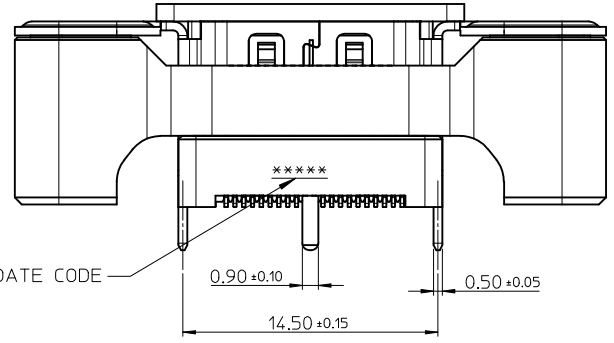
This document was generated on 05/19/2010

PLEASE CHECK WWW.MOLEX.COM FOR LATEST PART INFORMATION



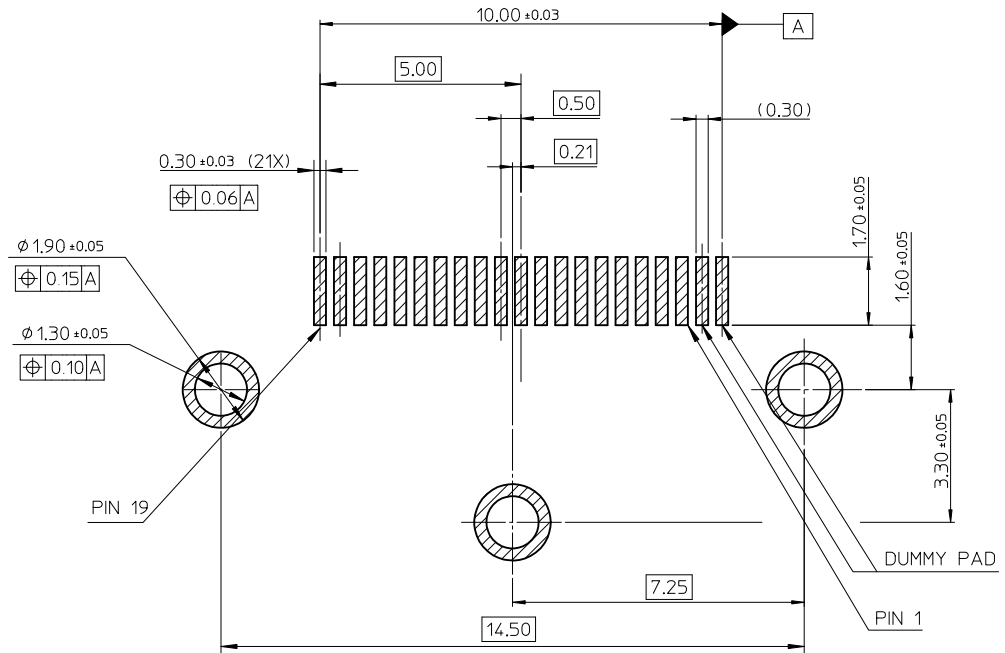
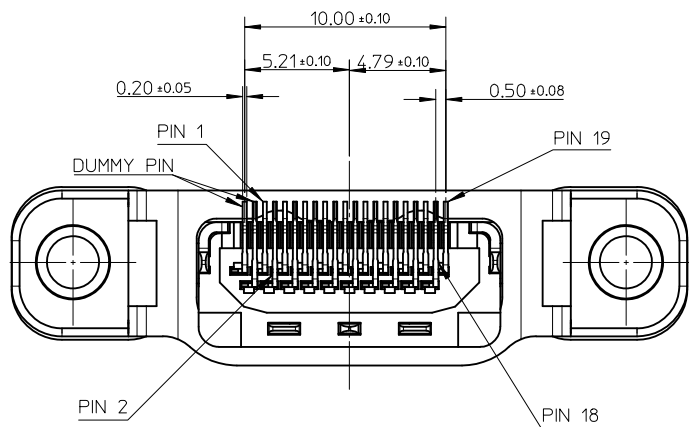
NOTES:

1. MATERIAL:
HOUSING: GLASS FILLED HEAT RESISTED RESIN, UL94V-0.
TERMINAL: COPPER ALLOY.
SHELL: COPPER ALLOY.
2. PLATING:
TERMINAL:
CONTACT AREA:
 - (a)GOLD FLASH PLATING,
 - (b)0.38 MICROMETER MIN.GOLD PLATING,
 - (c)0.76 MICROMETER MIN.GOLD PLATING,
 SOLDER AREA: 1 MICROMETER MIN. MATTE TIN PLATING,
 UNDERPLATE: 1 MICROMETER MIN. NICKEL PLATING OVERALL.
 SHELL:
 SOLDER AREA: 1 MICROMETER MIN. MATTE TIN PLATING,
 UNDERPLATE: 1 MICROMETER MIN. NICKEL PLATING OVERALL.
3. PRODUCT SPECIFICATION REFER TO PS-48307-901.
4. PACKAGE REFER TO PK-48307-722.
5. COPLANARITY OF SOLDER TAIL TO BE 0.1 MAX..
6. THE PART CAN COMPLIANT TO ROHS DIRECTIVE 2002/95/EC AND ELV DIRECTIVE 2000/53/EC.



3	48307-7032	(c)
2	48307-7022	(b)
1	48307-7012	(a)
ITEM NO	PART NO	PLATING SOLUTION

REVISED IEC NO: SH2010-0272 DRW:KWEI CHK:DZHANG APPR:XJ.SONG	2010/01/19 2010/01/20 2010/01/25	QUALITY SYMBOLS ▽=0 ◻=0	GENERAL TOLERANCES (UNLESS SPECIFIED)		DIMENSION STYLE MM ONLY	SCALE 3.5:1	DESIGN UNITS METRIC	THIRD ANGLE PROJECTION	
	4 PLACES ± --- ± --- 3 PLACES ± --- ± --- 2 PLACES ± --- ± --- 1 PLACE ± --- ± ---		DRAWN BY KLAUS WEI	DATE 2008/10/23	TITLE SALES DRAWING VERTICAL HDMI RECEPT. WITH SUPPORT				
	ANGULAR ± --- °		CHECKED BY ROST ZHANG	DATE 2008/10/23	MOLEX INCORPORATED				
	DRAFT WHERE APPLICABLE MUST REMAIN WITHIN DIMENSIONS		APPROVED BY HARVEY WANG	DATE 2008/10/23	MATERIAL NO. 48307-70*2	DOCUMENT NO. SD-48307-722	SHEET NO. 1 OF 2		



RECOMMENDED PCB LAYOUT
(PCB THICKNESS IS 1.6mm)

REVISED EC NO: SH2010-0272 DRW:KWEI CHK:RZHANG APPR:XJ.SONG 2010/01/19 2010/01/20 2010/01/25 REV DESCRIPTION	QUALITY SYMBOLS	GENERAL TOLERANCES (UNLESS SPECIFIED)	DIMENSION STYLE	SCALE	DESIGN UNITS	THIRD ANGLE PROJECTION	
	▽=0 ◻=0	mm INCH 4 PLACES ± --- ± --- 3 PLACES ± --- ± --- 2 PLACES ± --- ± --- 1 PLACE ± --- ± --- ANGULAR ± ---°	MM ONLY	4:1	METRIC		
		DRAFT WHERE APPLICABLE MUST REMAIN WITHIN DIMENSIONS	DRAWN BY: KLAUS WEI CHECKED BY: ROST ZHANG APPROVED BY: HARVEY WANG DATE: 2008/10/23 DATE: 2008/10/23 DATE: 2008/10/23	TITLE	SALES DRAWING VERTICAL HDMI RECEPT. WITH SUPPORT		
			MATERIAL NO.	SEE SHEET 1	DOCUMENT NO.	MOLEX INCORPORATED SD-48307-722	
			SIZE: A3	THIS DRAWING CONTAINS INFORMATION THAT IS PROPRIETARY TO MOLEX INCORPORATED AND SHOULD NOT BE USED WITHOUT WRITTEN PERMISSION			SHEET NO. 2 OF 2