

1.25mm (0.049") PITCH CONNECTOR

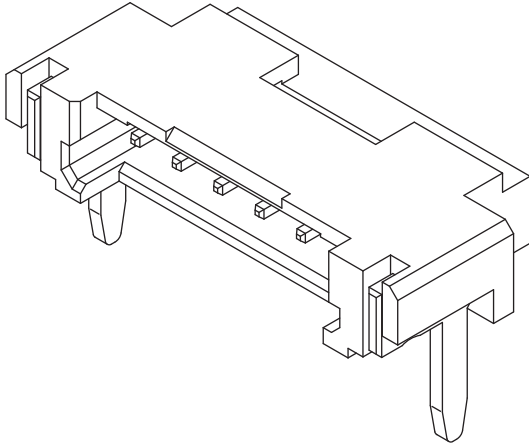


Wire-to-Board
Wafer

12507WR-NNLD Series

DIP

Right Angle

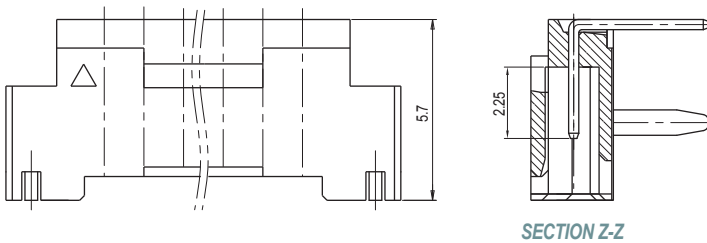


Material

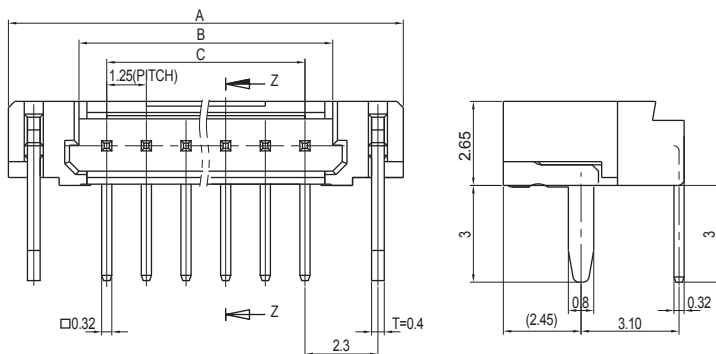
I/NO	DESCRIPTION	TITLE	MATERIAL
1	WAFER	12507WR-NNLD	PA46 or PA6T, UL 94V Grade
2	PIN		Brass & Tin plated
3	HOOK	20032LR	Brass & Tin plated

Available Pin

PARTS NO.	A	B	C
12507WR-02LD	7.45	3.00	1.25
12507WR-03LD	8.70	4.25	2.50
12507WR-04LD	9.95	5.50	3.75
12507WR-05LD	11.2	6.75	5.00
12507WR-06LD	12.45	8.0	6.25
12507WR-07LD	13.7	9.25	7.50
12507WR-08LD	14.95	10.5	8.75
12507WR-09LD	16.2	11.75	10.0
12507WR-10LD	17.45	13.0	11.25
12507WR-11LD	18.7	14.25	12.5
12507WR-12LD	19.95	15.5	13.75
12507WR-13LD	21.2	16.75	15.0
12507WR-14LD	22.45	18.0	16.25
12507WR-15LD	23.7	19.25	17.5
12507WR-20LD	29.95	25.5	23.75
12507WR-25LD	36.2	31.75	30.0
12507WR-30LD	42.45	38.0	36.25

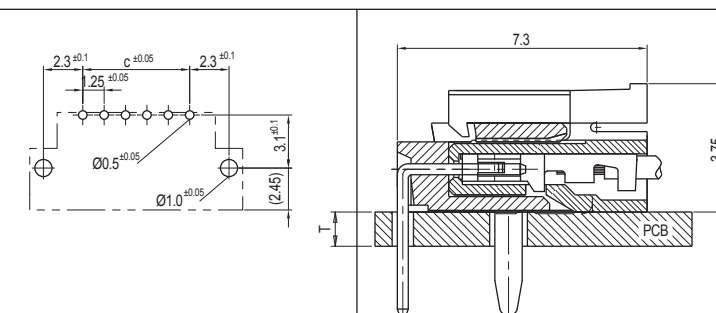


SECTION Z-Z



Specification

ITEM	SPEC
Voltage Rating	AC/DC 125V
Current Rating	AC/DC 1A
Operating Temperature	-25°C~+85°C
Contact Resistance	30mΩ MAX
Withstanding Voltage	AC250V/1min
Insulation Resistance	100MΩ MIN
Applicable Wire	-
Applicable P.C.B	1.2~1.6mm
Applicable FPC/FFC	-
Solder Height	-
Crimp Tensile Strength	-
UL FILE NO	-



PCB LAYOUT

PCB ASSY