

716 6251 718 2843
718 1360

ADAPTORS

ADAPTOR PRESSURE RATINGS

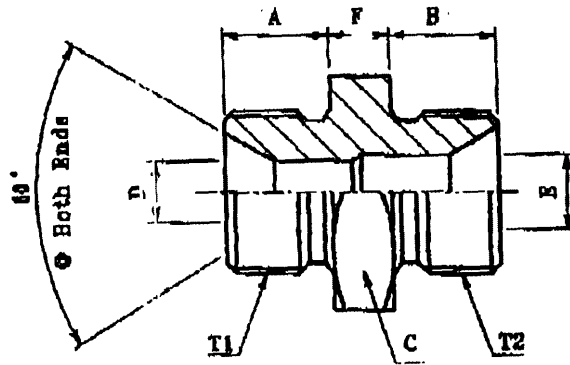
THIS RANGE OF ADAPTORS ARE MANUFACTURED FROM STEEL CONFORMING TO BS 970 PT 3 : 1991 230 M07Pb

NO RESPONSIBILITY CAN BE ACCEPTED BY THE MANUFACTURERS IF ADAPTORS ARE WRONGLY APPLIED OR INCORRECTLY OR INADEQUATELY FITTED, IE. TORQUE VALUES, PRESSURE REQUIREMENTS, NON MATCHING THREADS ETC.

ADAPTOR PRESSURE RATINGS APPLICABLE TO BORE SIZE ONLY

NOMINAL BORE DIAMETER		DESIGN WORKING PRESSURE		PROOF PRESSURE	
MM	IN.	BAR	PSI	BAR	PSI
5	1/8	350	5145	525	7718
6.3	1/4	450	6500	675	9750
10	3/8	380	5500	570	8250
12.5	1/2	310	4500	465	6750
14.25	9/16	289	4250	434	6375
16	5/8	280	4000	420	6000
19	3/4	240	3500	360	5250
25	1	210	3000	315	4500
31.5	1-1/4	170	2500	255	3750
37.5	1-1/2	136	2000	204	3000
50	2	136	2000	204	3000
62.5	2-1/2	84	1240	126	1860
75	3	76	1120	114	1680

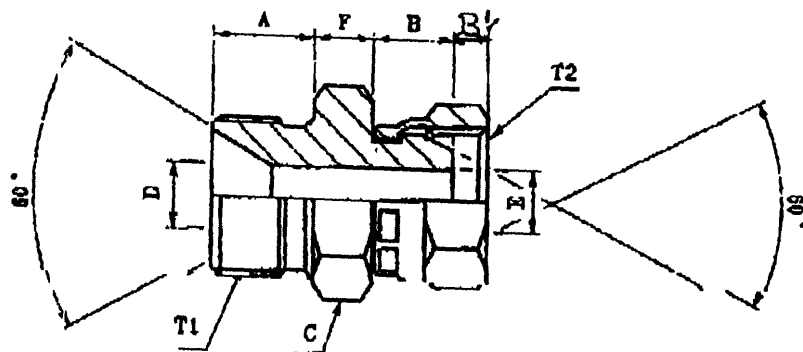
- Note :**
1. UNLESS OTHERWISE STATED ALL ADAPTORS ARE ZINC PLATED AND YELLOW PASSIVATED.
 2. ALL OUR BSP ADAPTORS HAVE 60° CONED SEATS .
 3. ALL METRIC ADAPTORS HAVE 60° CONED SEATS, THREADS ARE 1.5MM PITCH, UNLESS OTHERWISE STATED.



**BSP MALE x BSP MALE
Reducing Adaptors**

Part No	T1	T2		A	B	C	D	E	F
	1/8	1/4	in	0.440"	0.480"	0.710"	0.166"	0.187"	0.240"
			mm	11.17	12.19	18.03	3.86	4.78	6.09
	1/8	1/4	in	0.440"	0.520"	0.920"	0.187"	0.376"	0.220"
			mm	11.17	13.20	23.38	4.78	9.52	5.59
	1/8	3/8	in	0.450"	0.800"	1.010"	0.187"	0.300"	0.260"
			mm	11.43	18.24	26.85	4.78	12.70	8.35
	1/4	3/8	in	0.450"	0.820"	0.920"	0.260"	0.376"	0.220"
			mm	11.43	13.20	23.38	4.78	9.52	6.68
	1/4	1/2	in	0.480"	0.800"	1.010"	0.260"	0.500"	0.260"
			mm	11.43	15.24	26.85	4.78	12.70	6.35
	1/4	5/8	in	0.450"	0.700"	1.100"	0.280"	0.593"	0.280"
			mm	11.43	17.78	27.94	4.78	16.06	7.11
	1/4	3/4	in	0.450"	0.750"	1.300"	0.260"	0.718"	0.310"
			mm	11.43	19.05	33.02	4.78	18.23	7.87
	1/4	1	in	0.480"	0.800"	1.670"	0.280"	0.875"	0.350"
			mm	11.43	20.32	42.42	4.78	22.22	8.89
	3/8	1/2	in	0.520"	0.800"	1.010"	0.376"	0.600"	0.260"
			mm	13.20	15.24	26.85	9.52	12.70	6.35
	3/8	5/8	in	0.520"	0.700"	1.100"	0.376"	0.593"	0.280"
			mm	13.20	17.78	27.94	9.52	15.06	7.11
	3/8	3/4	in	0.520"	0.750"	1.300"	0.376"	0.718"	0.310"
			mm	13.20	19.05	33.02	9.52	18.23	7.87
	3/8	1	in	0.570"	0.800"	1.670"	0.376"	0.875"	0.350"
			mm	13.20	20.32	42.41	9.52	22.22	8.89
	1/2	5/8	in	0.600"	0.700"	1.100"	0.500"	0.593"	0.280"
			mm	15.24	17.78	27.94	12.70	15.06	7.11
	1/2	3/4	in	0.600"	0.750"	1.300"	0.500"	0.718"	0.310"
			mm	15.24	19.05	33.02	12.70	18.23	7.87
	1/2	1	in	0.600"	0.800"	1.670"	0.500"	0.875"	0.350"
			mm	15.24	20.32	42.41	12.70	22.22	8.89
	1/2	1-1/4	in	0.600"	0.800"	2.060"	0.500"	1.203"	0.400"
			mm	15.24	20.32	52.00	12.70	30.56	10.16
	1/2	1-1/2	in	0.600"	0.850"	2.220"	0.500"	1.437"	0.450"
			mm	15.24	21.65	56.38	12.70	36.50	11.43
	1/2	2	in	0.600"	1.000"	2.760"	0.500"	1.812"	0.500"
			mm	15.24	25.40	70.10	12.70	46.02	12.70
	5/8	3/4	in	0.700"	0.750"	1.300"	0.593"	0.718"	0.310"
			mm	17.78	19.05	33.02	15.06	18.23	7.87
	5/8	1	in	0.700"	0.800"	1.670"	0.593"	0.875"	0.350"
			mm	17.78	20.32	42.41	15.06	22.22	8.89
	5/8	1-1/4	in	0.700"	0.800"	2.060"	0.593"	1.203"	0.400"
			mm	17.78	20.32	52.00	15.06	30.56	10.16

7181360



**BSP Male x BSP Swivel Female
Reducing Adaptors**

Part No	T1	T2		A	B	C	D	E	F	BV
1/8	1/4	in	0.450"	0.410"	0.710	0.170	4.47	4.47	4.47	
		mm	11.43	10.41	18.03	4.27	4.47	7.62		
1/4	3/8	in	0.480"	0.512"	0.860"	0.260"	0.260"	0.275"	0.275"	
		mm	11.43	13.00	22.00	6.35	6.35	6.96		
1/4	1/2	in	0.460"	0.528"	1.010"	0.250"	0.250"	0.294"	0.294"	
		mm	11.43	13.41	25.65	6.35	6.35	10.00		
1/4	3/4	in	0.450"	0.500"	1.300"	0.250"	0.250"	0.394"	0.394"	
		mm	11.43	12.70	33.02	6.35	6.35	10.00		
3/8	1/2	in	0.520"	0.528"	1.010"	0.375"	0.375"	0.375"	0.375"	
		mm	13.20	13.41	25.65	9.52	9.52	9.52		
3/8	3/4	in	0.520"	0.500"	1.300"	0.375"	0.375"	0.375"	0.375"	
		mm	13.20	12.70	33.02	9.52	9.52	9.52		
3/8	1	in	0.520"	0.548"	1.480"	0.375"	0.375"	0.375"	0.375"	
		mm	13.20	13.91	37.59	9.52	9.52	9.52		
1/2	1/2	in	0.600"	0.528"	1.010"	0.406"	0.406"	0.370"	0.370"	
		mm	15.24	13.41	25.65	10.31	10.31	9.38		
1/2	5/8	in	0.600"	0.500"	1.100"	0.500"	0.500"	0.425"	0.425"	
		mm	15.24	12.70	27.94	12.70	12.70	10.79		
1/2	3/4	in	0.600"	0.500"	1.300"	0.500"	0.500"	0.410"	0.410"	9.15
		mm	15.24	12.70	33.02	12.70	12.70	10.41	10.50	
1/2		in	0.600"	0.548"	1.070"	0.500"	0.500"	0.425"	0.425"	
		mm	15.24	13.91	27.14	12.70	12.70	10.79		
5/8	5/8	in	0.700"	0.500"	1.100"	0.500"	0.500"	1.100"	1.100"	
		mm	17.78	12.70	27.94	12.70	12.70	27.94		
5/8	3/4	in	0.700"	0.500"	1.300"	0.593"	0.593"	0.411"	0.411"	
		mm	17.78	12.70	33.02	15.06	15.06	10.4		
3/4	3/4	in	0.750"	0.500"	1.300"	0.600"	0.600"	0.411"	0.411"	
		mm	19.05	12.70	33.02	15.46	15.46	10.41		
3/4	1 1/4	in	0.750"	0.610"	2.060"	0.718"	0.718"	0.600"	0.600"	
		mm	19.05	15.49	52.07	18.23	18.23	15.24		
3/4	1	in	0.750"	0.540"	1.480"	0.718"	0.718"	0.410"	0.410"	
		mm	19.05	13.91	37.59	18.23	18.23	10.41		
1-1/4	1-1/8	in	0.800"	0.610"	2.060"	1.047"	1.047"	0.515"	0.515"	
		mm	20.32	15.49	52.07	26.59	26.59	13.33		
1-1/4	1.2	in	0.800"	0.780"	2.320"	1.203"	1.203"	0.525"	0.525"	
		mm	20.32	19.95	58.98	30.65	30.65	13.33		
1	1-1/4	in	0.800"	0.610"	2.060"	0.875"	0.875"	0.500"	0.500"	
		mm	20.32	15.49	52.07	22.22	22.22	12.70		
1 1/2	1 1/2	in	0.850"	0.750"	2.320"	1.312"	1.312"	0.580"	0.580"	
		mm	21.59	19.05	58.98	33.32	33.32	14.73		
2	2	in	1.000"	0.812"	2.780"	1.750"	1.750"	0.800"	0.800"	
		mm	25.40	20.61	70.10	44.45	44.45	20.32		
3/8	5/8	in	0.520"	0.500"	1.100"	0.375"	0.375"	0.375"	0.375"	
		mm	13.20	12.702	27.94	9.52	9.52	9.52		

7182843