

PLEASE CHECK WWW.MOLEX.COM FOR LATEST PART INFORMATION

Part Number: **0510481110**
Status: **Active**
Description: 2.00mm (.079") Pitch Cable Holder, Vertical, Low Profile, for Ribbon Cable, 11 Circuits

Documents:

[Drawing \(PDF\)](#) [RoHS Certificate of Compliance \(PDF\)](#)

General

| | |
|---------------------|-------------------------------------|
| Product Family | Ribbon Cable / Wire Trap Connectors |
| Series | 51048 |
| Component Type | One Piece |
| Glow-Wire Compliant | No |
| Product Name | Board-In, Cable Holder |

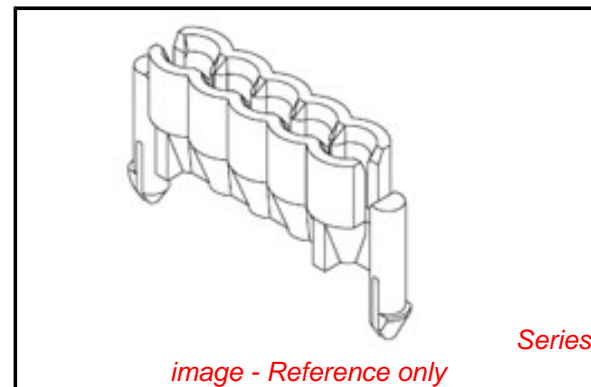
Physical

| | |
|--------------------------------|---------------------|
| Circuits (Loaded) | 11 |
| Color - Resin | Natural |
| Entry Angle | Vertical |
| Lock to Mating Part | None |
| Material - Resin | Nylon |
| Number of Rows | 1 |
| PCB Retention | Yes |
| PCB Thickness Recommended (in) | 0.062 In |
| PCB Thickness Recommended (mm) | 1.60 mm |
| Packaging Type | Bag |
| Pitch - Mating Interface (in) | 0.079 In |
| Pitch - Mating Interface (mm) | 2.00 mm |
| Polarized to Mating Part | N/A |
| Polarized to PCB | No |
| Stackable | No |
| Surface Mount Compatible (SMC) | No |
| Temperature Range - Operating | -40°C to +105°C |
| Wire Insulation Diameter | 1.60mm (.063") max. |
| Wire Size AWG | 26 |
| Wire/Cable Type | Ribbon Cable |

Electrical

| | |
|-------------------------------|-----|
| Current - Maximum per Contact | N/A |
| Voltage - Maximum | N/A |

Material Info



EU RoHS

ELV and RoHS Compliant
REACH SVHC Contains SVHC: No
Halogen-Free Status
Not Reviewed

China RoHS



Need more information on product environmental compliance?

Email productcompliance@molex.com
 For a multiple part number RoHS Certificate of Compliance, [click here](#)

Please visit the [Contact Us](#) section for any non-product compliance questions.

Search Parts in this Series

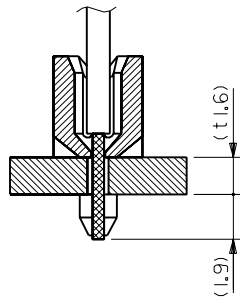
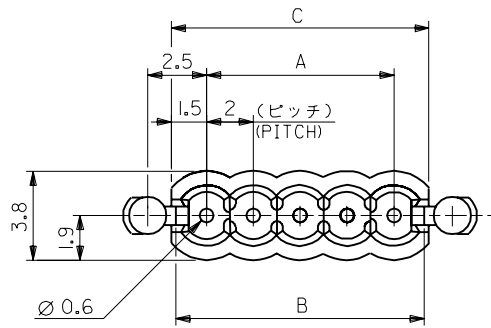
51048Series

Mates With

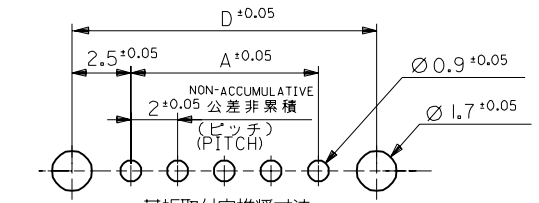
N/A

Use With

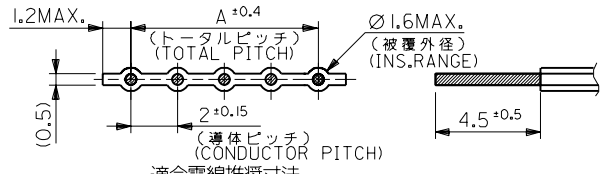
Topcoated ribbon cable



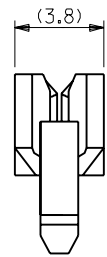
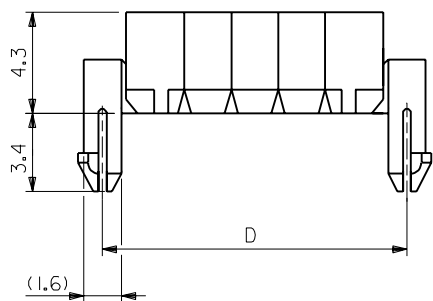
電線挿入図
SECT.(CABLE ASS'Y)



基板取付穴推奨寸法
RECOMMENDED P.C.BOARD HOLE DIM.
(t=1.6±0.05)



適合電線推奨寸法
RECOMMENDED WIRE DIM.



注記
NOTES

1. 材料：ナイロン66、UL94V-0
MATERIAL : NYLON66 , UL94V-0
2. 適合電線：2mmピッチリボンケーブル
AWG#26錫コート平行線
APPLICABLE WIRE : 2mm PITCH
RIBBON CABLE WIRE
AWG#26, TOP COATED WIRE

| | | | | | |
|----|----|------|----|--------------|-------------|
| 37 | 35 | 34.6 | 32 | 51048 -17 10 | 17 |
| 35 | 33 | 32.6 | 30 | ↑ -16 10 | 16 |
| 33 | 31 | 30.6 | 28 | -15 10 | 15 |
| 31 | 29 | 28.6 | 26 | -14 10 | 14 |
| 29 | 27 | 26.6 | 24 | -13 10 | 13 |
| 27 | 25 | 24.6 | 22 | -12 10 | 12 |
| 25 | 23 | 22.6 | 20 | -11 10 | 11 |
| 23 | 21 | 20.6 | 18 | -10 10 | 10 |
| 21 | 19 | 18.6 | 16 | -09 10 | 9 |
| 19 | 17 | 16.6 | 14 | -08 10 | 8 |
| 17 | 15 | 14.6 | 12 | -07 10 | 7 |
| 15 | 13 | 12.6 | 10 | -06 10 | 6 |
| 13 | 11 | 10.6 | 8 | -05 10 | 5 |
| 11 | 9 | 8.6 | 6 | -04 10 | 4 |
| 9 | 7 | 6.6 | 4 | ↓ -03 10 | 3 |
| 7 | 5 | 4.6 | 2 | 51048 -02 10 | 2 |
| D | C | B | A | ENG. NO. | 種数 CKTS. |

| | | | | | |
|----------------------------|-------|-----------|------------------------------|-------------|---------------|
| 角度 ANGLE | ±3° | | | | |
| 30以上 OVER | +0.3 | A | 変更 REVISED (J20153) | K.T. | H.H. '92/2/26 |
| 10以上 30未満 OVER UNDER | +0.25 | O | 発行/発行中止 RELEASED (J90742) | H.S. | Y.Y. '89/9/14 |
| 10未満 UNDER | +0.2 | 記号 LTR | 変更内容 REVISION RECORD | DR. CHK. | 日付 DATE |
| 一般公差 GENERAL TOLERANCES | | | REVISE ONLY ON CAD SYSTEM | | |

| | |
|----------------------|---------------------|
| 材料 MATERIAL | 注記参照 SEE NOTE 1. |
| 仕上げ FINISH | // |
| 適用電線範囲 WIRE RANGE | 注記参照 SEE NOTE 2. |
| 被覆外径 INS. RANGE | φ1.6 MAX. |
| DRAWN BY H.SEKINE | '89/9/14 |
| CHK'D BY | |
| APP'D BY | 尺度 SCALE 5 - 1 |

| | |
|--|-----|
| MOLEX JAPAN CO., LTD. 日本モレックス株式会社 | |
| EDP NO. | |
| ENG. NO. | REV |
| SD-51048-●●10 | A |
| TITLE 名称 2.0 mm PITCH CABLE HOLDER (FOR 4.5 mm STRIP LENGTH) | |