

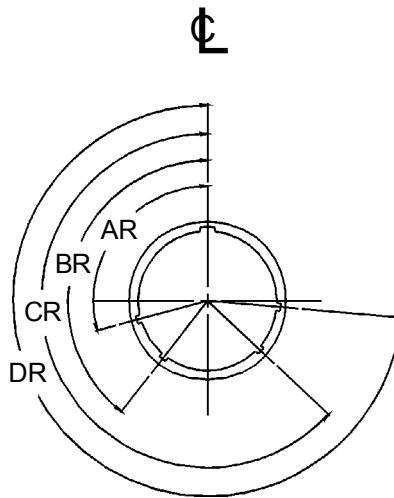
**25-20 INSERT ARRANGEMENT**

SHELL SIZE CODE	SHELL SIZE	INSERT ARRANGEMENT DASH NO.	TOTAL NUMBER OF CONTACTS	CONTACT SIZE			
				20	16	12 (Coax)	8 (Twinax)
J	25	25-20	30	<b>QUANTITY</b>			
				10	13	4	3

**APPLICATION NOTES**

- All set screws to have N.D. Ind. Stud grade threadlocker #140500 (jet fuel resistant).
- Metric dimensions (mm) are indicated in parentheses.
- Material/finish:  
Barrel/shell, coupling nut, lock ring – CRES Passivated

Contacts – Copper alloy/gold plate  
Interfacial & peripheral seals – silicone/N.A.  
Insulators – High grade rigid dielectric/ N.A.  
Shrink Tube – See Table I



FACE VIEW  
 RECEPTACLE

SERIES III: ALTERNATE KEYWAY POSITIONS						
Shell Size Code	Shell Size Ref	Alternate Keyway Code	AR°	BR°	CR°	DR°
J	25	N	80	142	196	293
		A	135	170	200	310
		B	49	169	200	244
		C	66	140	200	257
		D	62	145	180	280
		E	79	153	197	272

F