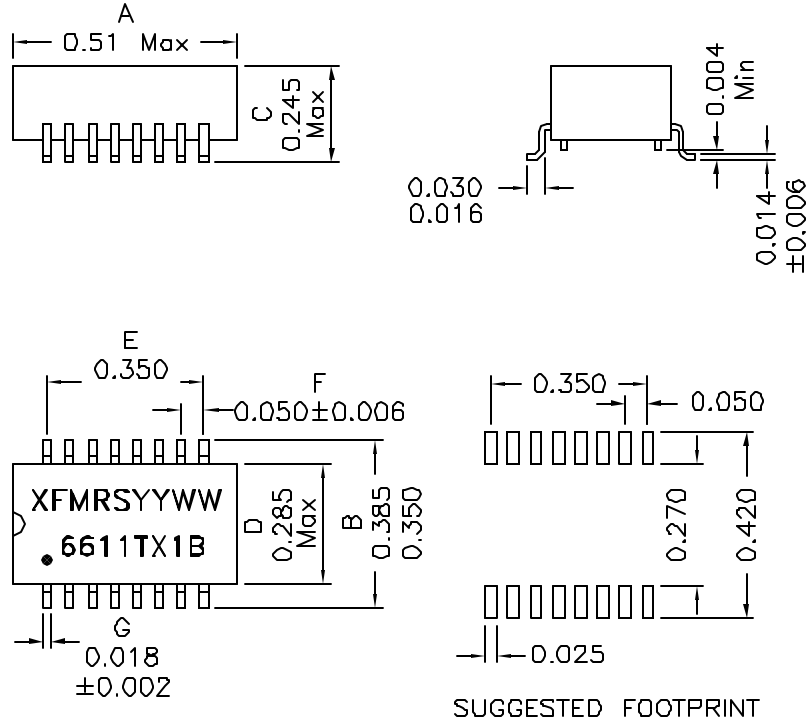
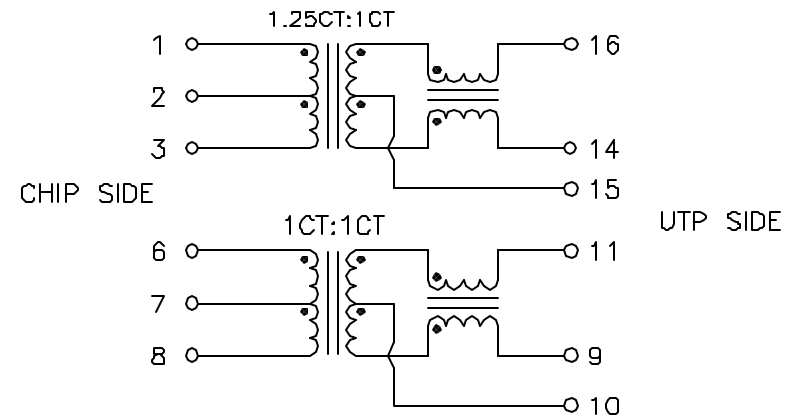


1. Mechanical Dimensions:



2. Schematic:



3. Electrical Specifications: @25°C

Turns Ratio: TX 1.25CT:1CT (±5%) RX 1CT:1CT (±5%)
 Isolation Voltage: 1500 Vrms (Input to Output)
 UTP Side OCL: 350uH Minimum @100KHz, 100mV 8mADC
 UTP Side Q: 8 Minimum @10KHz, 50mV
 Insertion Loss (0.1–100MHz): 1.0dB Typ
 Return Loss (dB Typ):

30MHz	60MHz	80MHz
-16	-12	-10

Crosstalk (dB Max):

32MHz	62MHz	100MHz
-40	-35	-35

Notes:

- Solderability: Leads shall meet MIL-STD-202G, Method 208H for solderability.
- Flammability: UL94V-0
- ASTM oxygen index: > 28%
- Insulation System: Class F 155°C. UL file E15155B
- Operating Temperature Range: All listed parameters are to be within tolerance from -40°C to +85°C
- Storage Temperature Range: -55°C to +125°C
- Aqueous wash compatible
- SMD Lead Coplanarity: ±0.004" (0.102mm)
- Electrical and mechanical specifications 100% tested
- RoHS Compliant Component

DOC REV: A/7

PROPRIETARY Document is the property of XFMRs Group & is not allowed to be duplicated without authorization.

XFMRs Inc. www.XFMRs.com	Title: 10/100BASE-TX MAGNETICS	
UNLESS OTHERWISE SPECIFIED	P/N: XF6611TX1B	REV. A
TOLERANCES: .xxx ±0.010	DWN.	Mei Chen Jul-15-10
Dimensions in Inch	CHK.	YK Liao Jul-15-10
SHEET 1 OF 1	APP.	Joe Huff Jul-15-10