

**256-Kb (256 K × 1) Static RAM**

**Features**

- Fast access time: 15 ns
- Wide voltage range: 5.0 V ± 10% (4.5 V to 5.5 V)
- CMOS for optimum speed and power
- TTL compatible inputs and outputs
- Available in 24-pin DIP and 24-pin SOJ

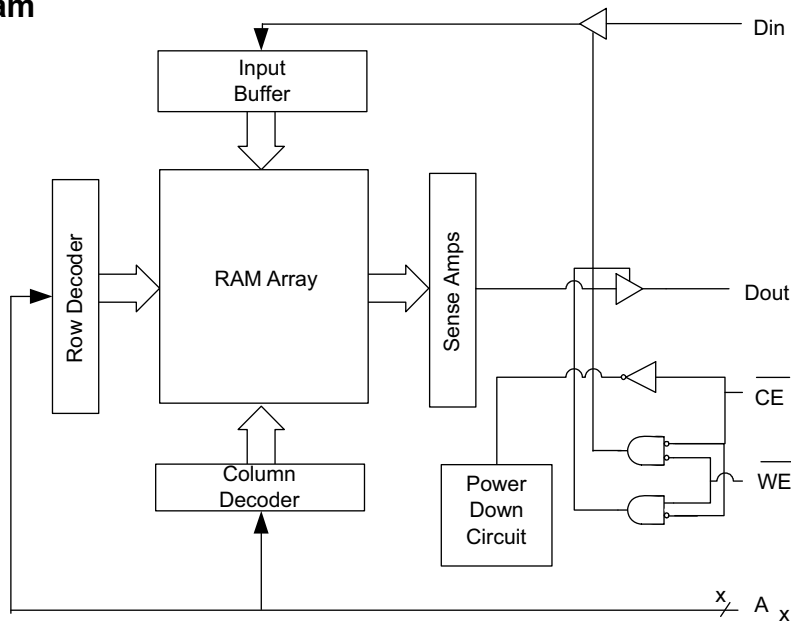
**General Description [1]**

The CY7C197BN is a high performance CMOS Asynchronous SRAM organized as 256 K × 1 bits that supports an asynchronous memory interface. The device features an automatic power down feature that significantly reduces power consumption when deselected.

See the [Truth Table on page 8](#) for a complete description of Read and Write modes.

The CY7C197BN is available in 24-pin DIP and 24-pin SOJ package(s).

**Logic Block Diagram**



**Product Portfolio**

Description	-15	-25	Unit
Maximum Access Time	15	25	ns
Maximum Operating Current	150	95	mA
Maximum CMOS Standby Current	10	10	mA

**Note**

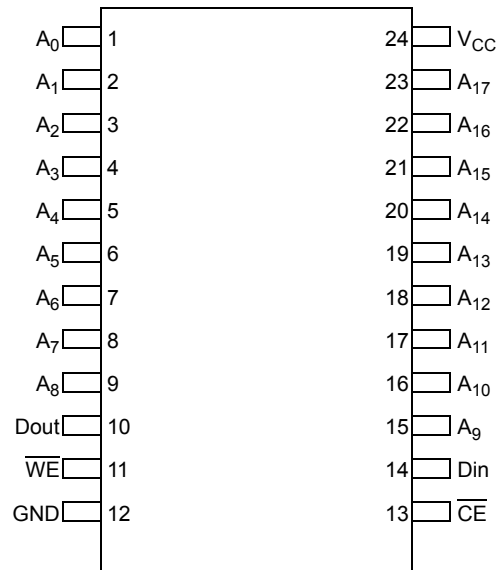
1. For best practice recommendations, refer to the Cypress application note [System Design Guidelines on www.cypress.com](#).

## Contents

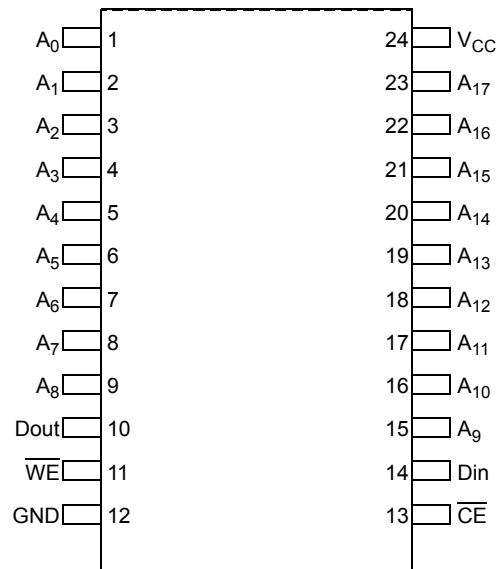
<b>Pin Layout and Specification</b> .....	<b>3</b>	<b>Truth Table</b> .....	<b>8</b>
<b>Pin Description</b> .....	<b>3</b>	<b>Ordering Information</b> .....	<b>9</b>
<b>Maximum Ratings</b> .....	<b>4</b>	Ordering Code Definitions .....	9
<b>Operating Range</b> .....	<b>4</b>	<b>Package Diagrams</b> .....	<b>10</b>
<b>DC Electrical Characteristics</b> .....	<b>4</b>	<b>Acronyms</b> .....	<b>11</b>
<b>Capacitance</b> .....	<b>4</b>	<b>Document Conventions</b> .....	<b>11</b>
<b>Thermal Resistance</b> .....	<b>4</b>	Units of Measure .....	11
<b>AC Test Loads</b> .....	<b>5</b>	<b>Document History Page</b> .....	<b>12</b>
<b>AC Test Conditions</b> .....	<b>5</b>	<b>Sales, Solutions, and Legal Information</b> .....	<b>13</b>
<b>AC Electrical Characteristics</b> .....	<b>6</b>	Worldwide Sales and Design Support .....	13
<b>Timing Waveforms</b> .....	<b>6</b>	Products .....	13
Read Cycle No. 1 .....	6	PSoC Solutions .....	13
Read Cycle No. 2 .....	7		
Write Cycle No. 1 ( $\overline{WE}$ Controlled) .....	7		
Write Cycle No. 2 (CE Controlled) .....	8		

### Pin Layout and Specification

#### 24-pin DIP (6.6 × 31.8 × 3.5 mm)



#### 24-pin SOJ (8 × 15 × 3.5 mm)



### Pin Description

Pin	Type	Description	DIP	SOJ
A <sub>x</sub>	Input	Address Inputs	1, 2, 3, 4, 5, 6, 7, 8, 9, 15, 16, 17, 18, 19, 20, 21, 22, 23	1, 2, 3, 4, 5, 6, 7, 8, 9, 15, 16, 17, 18, 19, 20, 21, 22, 23
$\overline{CE}$	Control	Chip Enable	13	13
Din	Input	Data Input Pins	14	14
Dout	Output	Data Output Pins	10	10
V <sub>CC</sub>	Supply	Power (5.0 V)	24	24
$\overline{WE}$	Control	Write Enable	11	11

## Maximum Ratings

Exceeding the maximum rating may impair the useful life of the device. These user guidelines are not tested.

Storage Temperature ..... -65 °C to +150 °C  
 Ambient Temperature with  
 Power Applied ..... -55 °C to +125 °C  
 Supply Voltage on V<sub>CC</sub> to Relative GND ..... -0.5 V to +7.0 V  
 DC Voltage Applied to Outputs  
 in High Z State<sup>[2]</sup> ..... -0.5 V to V<sub>CC</sub> + 0.5 V  
 DC Input Voltage<sup>[2]</sup> ..... -0.5 V to V<sub>CC</sub> + 0.5 V

Current into Outputs (LOW)..... 20 mA  
 Static Discharge Voltage.....2001 V  
 (per MIL-STD-883, Method 3015)  
 Latch Up Current ..... > 200 mA

## Operating Range

Range	Ambient Temperature <sup>[3]</sup>	V <sub>CC</sub>
Commercial	0 °C to 70 °C	5.0 V ± 10%

## DC Electrical Characteristics<sup>[2]</sup>

Parameter	Description	Condition	15 ns		25 ns		Unit
			Min	Max	Min	Max	
V <sub>IH</sub>	Input HIGH Voltage		2.2	V <sub>CC</sub> + 0.3	2.2	V <sub>CC</sub> + 0.3	V
V <sub>IL</sub>	Input LOW Voltage		-0.3	0.8	-0.3	0.8	V
V <sub>OH</sub>	Output HIGH Voltage	V <sub>CC</sub> = Min, I <sub>OH</sub> = -4.0 mA	2.4	-	2.4	-	V
V <sub>OL</sub>	Output LOW Voltage	V <sub>CC</sub> = Min, I <sub>OL</sub> = 8.0 mA	-	0.4	-	0.4	V
I <sub>OZ</sub>	Output Leakage Current	GND ≤ V <sub>i</sub> ≤ V <sub>CC</sub> , Output Disabled	-5	+5	-5	+5	µA
I <sub>IX</sub>	Input Leakage Current	GND ≤ V <sub>i</sub> ≤ V <sub>CC</sub>	-5	+5	-5	+5	µA
I <sub>CC</sub>	V <sub>CC</sub> Operating Supply Current	V <sub>CC</sub> = Max, I <sub>OUT</sub> = 0 mA, f = F <sub>MAX</sub> = 1/t <sub>RC</sub>	-	150	-	95	mA
I <sub>SB1</sub>	Automatic $\overline{CE}$ Power Down Current TTL Inputs	V <sub>CC</sub> = Max, $\overline{CE} \geq V_{IH}$ , V <sub>IN</sub> ≥ V <sub>IH</sub> or V <sub>IN</sub> ≤ V <sub>IL</sub> , f = F <sub>MAX</sub>	-	30	-	30	mA
I <sub>SB2</sub>	Automatic $\overline{CE}$ Power Down Current CMOS Inputs	V <sub>CC</sub> = Max, $\overline{CE} \geq V_{CC} - 0.3$ V, V <sub>IN</sub> ≥ V <sub>CC</sub> - 0.3 V or V <sub>IN</sub> < 0.3 V, f = 0	-	10	-	10	mA

## Capacitance<sup>[4]</sup>

Parameter	Description	Conditions	Max (ALL - PACKAGES)	Unit
C <sub>IN</sub>	Input Capacitance	T <sub>A</sub> = 25 °C, f = 1 MHz, V <sub>CC</sub> = 5.0 V	8	pF
C <sub>OUT</sub>	Output Capacitance		10	

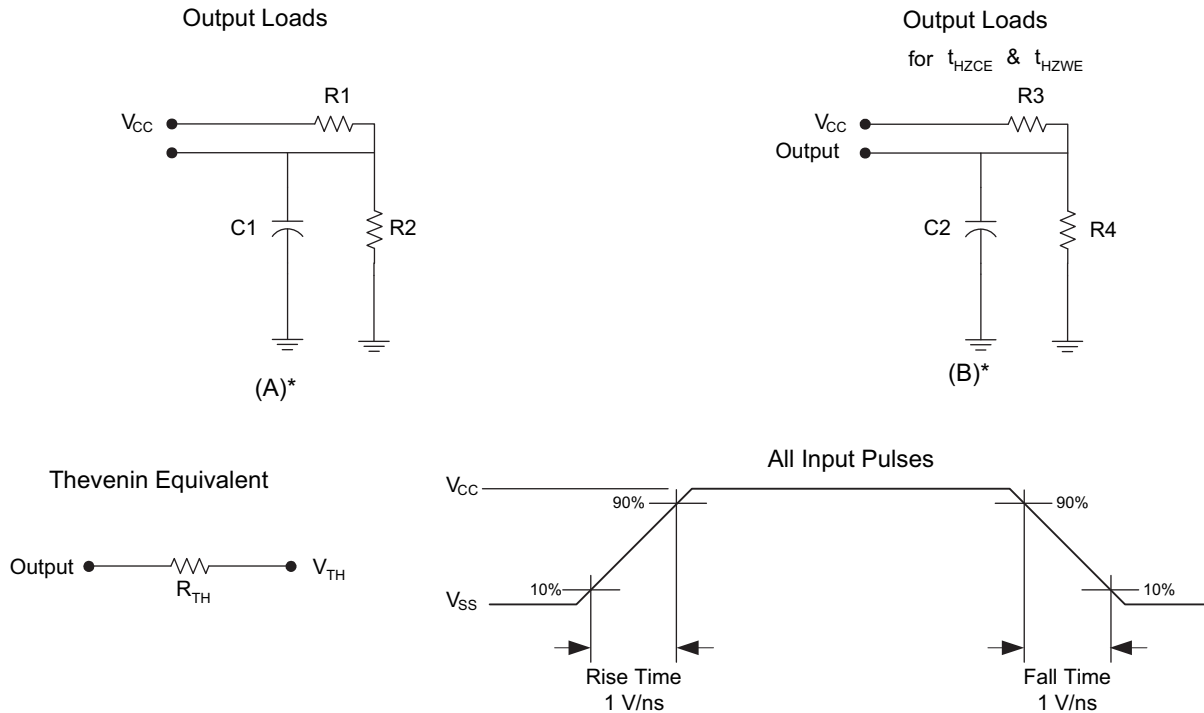
## Thermal Resistance<sup>[4]</sup>

Parameter	Description	Conditions	24-pin DIP	24-pin SOJ	Unit
θ <sub>JA</sub>	Thermal Resistance (Junction to Ambient)	Still Air, soldered on a 3 × 4.5 square inches, two-layer printed circuit board	75.69	84.15	°C/W
θ <sub>JC</sub>	Thermal Resistance (Junction to Case)		33.80	37.56	

### Notes

- V<sub>IL</sub>(min) = -2.0 V for pulse durations of less than 20 ns.
- T<sub>A</sub> is the "instant on" case temperature.
- Tested initially and after any design or process change that may affect these parameters.

AC Test Loads<sup>[5]</sup>



\* including scope and jig capacitance

AC Test Conditions

Parameter	Description	Nom.	Unit
C1	Capacitor 1	30	pF
C2	Capacitor 2	5	
R1	Resistor 1	480	Ω
R2	Resistor 2	255	
R3	Resistor 3	480	
R4	Resistor 4	255	
R <sub>TH</sub>	Resistor Thevenin	167	
V <sub>TH</sub>	Voltage Thevenin	1.73	V

Note

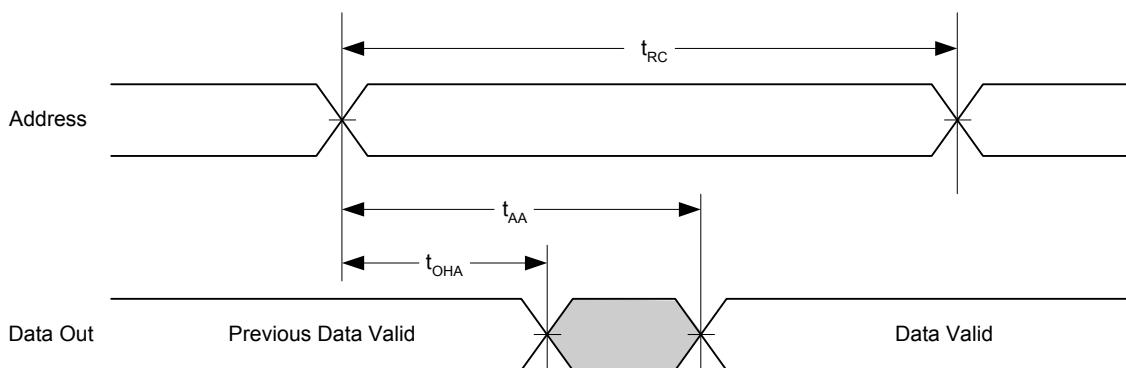
5. Test Conditions assume a transition time of 3 ns or less, timing reference levels of 1.5 V, input pulse levels of 0 to 3.0 V.

AC Electrical Characteristics<sup>[4, 6, 7, 8]</sup>

Parameter	Description	15 ns		25 ns		Unit
		Min	Max	Min	Max	
$t_{RC}$	Read Cycle Time	15	–	25	–	ns
$t_{AA}$	Address to Data Valid	–	15	–	25	ns
$t_{OHA}$	Data Hold from Address Change	3	–	3	–	ns
$t_{ACE}$	$\overline{CE}$ to Data Valid	–	15	–	25	ns
$t_{LZCE}$	$\overline{CE}$ to Low Z	3	–	3	–	ns
$t_{HZCE}$	$\overline{CE}$ to High Z	–	5	–	11	ns
$t_{PU}$	$\overline{CE}$ to Power-up	0	–	0	–	ns
$t_{PD}$	$\overline{CE}$ to Power-down	–	15	–	20	ns
$t_{WC}$	Write Cycle Time	15	–	25	–	ns
$t_{SCE}$	$\overline{CE}$ to Write End	9	–	20	–	ns
$t_{AW}$	Address Set-up to Write End	10	–	20	–	ns
$t_{HA}$	Address Hold from Write End	0	–	0	–	ns
$t_{SA}$	Address Set-up to Write Start	0	–	0	–	ns
$t_{PWE}$	$\overline{WE}$ Pulse Width	9	–	20	–	ns
$t_{SD}$	Data Set-Up to Write End	9	–	15	–	ns
$t_{HD}$	Data Hold from Write End	0	–	0	–	ns
$t_{HZWE}$	$\overline{WE}$ LOW to High Z	–	7	–	11	ns
$t_{LZWE}$	$\overline{WE}$ HIGH to Low Z	2	–	3	–	ns

Timing Waveforms

Read Cycle No. 1 <sup>[9, 10]</sup>

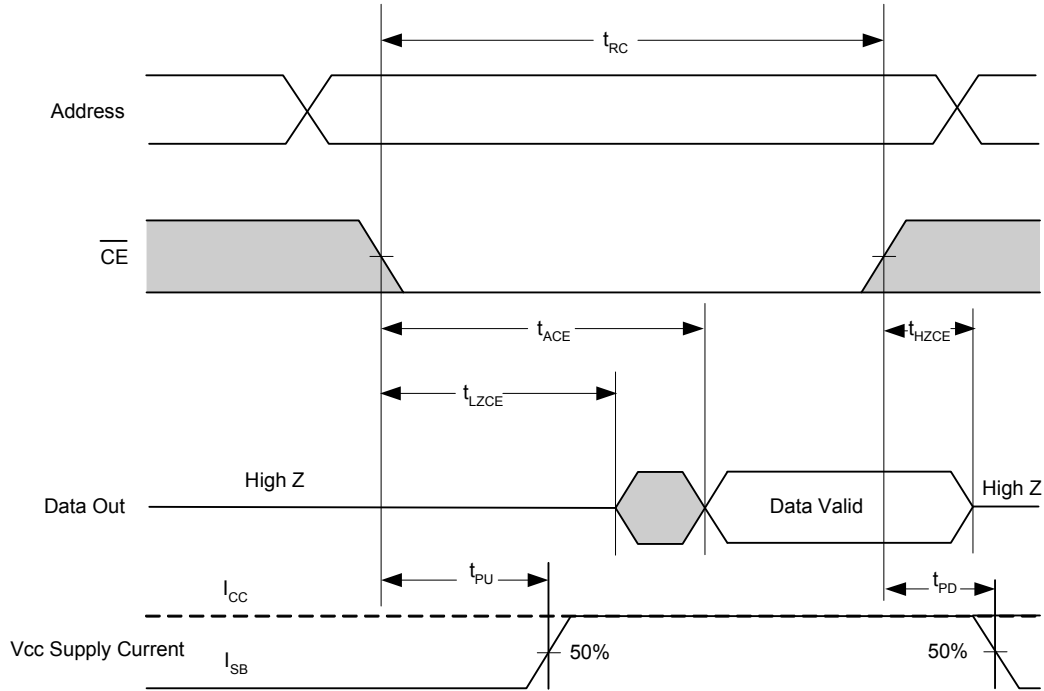


Notes

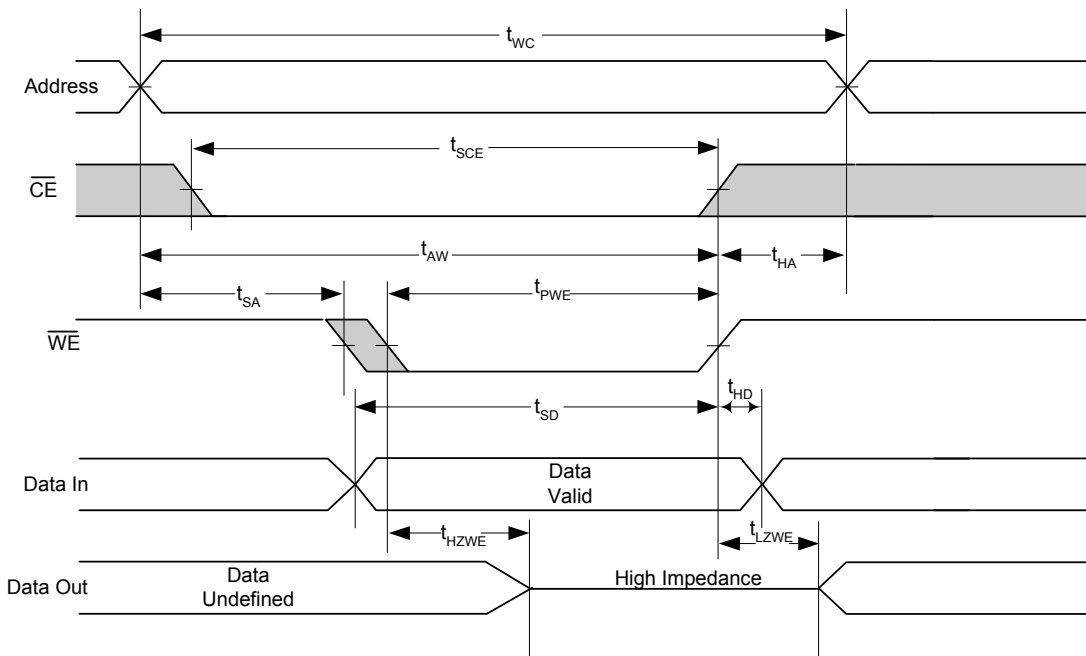
- At any given temperature and voltage condition,  $t_{HZCE}$  is less than  $t_{LZCE}$ , and  $t_{HZWE}$  is less than  $t_{LZWE}$  for any given device.
- The internal Write time of the memory is defined by the overlap of  $\overline{CE}$  LOW and  $\overline{WE}$  LOW.  $\overline{CE}$  and  $\overline{WE}$  must be LOW to initiate a write, and the transition of any of these signals can terminate the Write. The input data setup and hold timing should be referenced to the leading edge of the signal that terminates the write.
- $t_{HZCE}$ ,  $t_{HZWE}$  are specified as in part (b) of the AC Test Loads<sup>[5]</sup> on page 5. Transitions are measured  $\pm 200$  mV from steady state voltage.
- Device is continuously selected.  $\overline{CE} = V_{IL}$ .
- $\overline{WE}$  is HIGH for Read Cycle.

Timing Waveforms (continued)

Read Cycle No. 2 [11, 12, 13]



Write Cycle No. 1 ( $\overline{WE}$  Controlled) [11, 14]

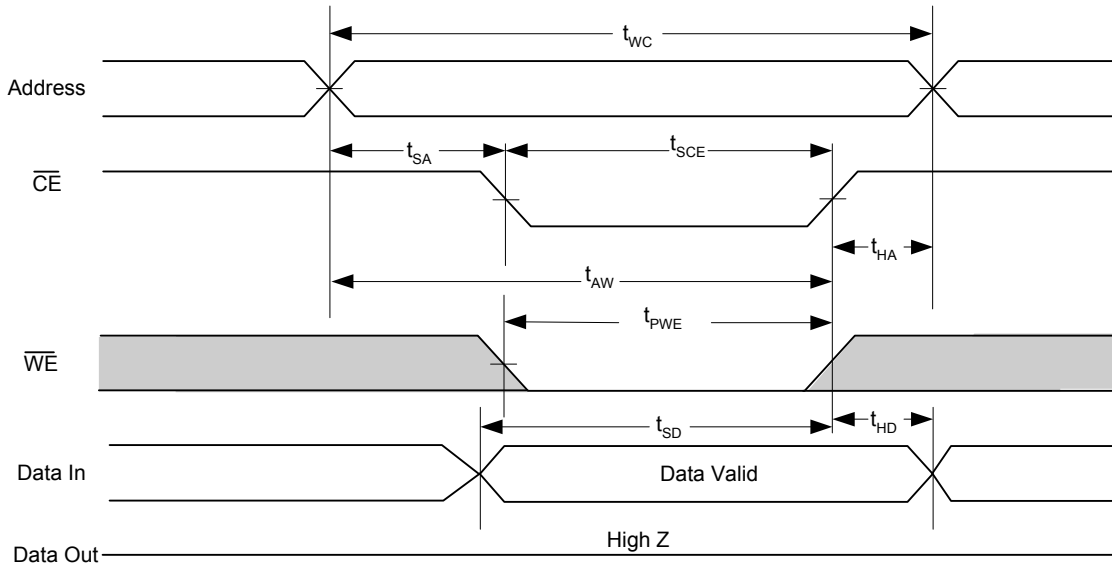


Notes

11. Tested initially and after any design or process change that may affect these parameters.
12.  $\overline{WE}$  is HIGH in read cycle.
13. Address valid prior to or coincident with  $\overline{CE}$  transition LOW.
14. The minimum write cycle time is the sum of  $t_{HZWE}$  and  $t_{SD}$ .

**Timing Waveforms** (continued)

**Write Cycle No. 2 ( $\overline{\text{CE}}$  Controlled)**<sup>[15, 16]</sup>



**Truth Table**

$\overline{\text{CE}}$	$\overline{\text{WE}}$	I/Ox	Mode	Power
H	X	High Z	Deselect/Power-Down	Standby ( $I_{\text{SB}}$ )
L	H	Data Out	Read	Active ( $I_{\text{CC}}$ )
L	L	Data In	Write	Active ( $I_{\text{CC}}$ )

**Notes**

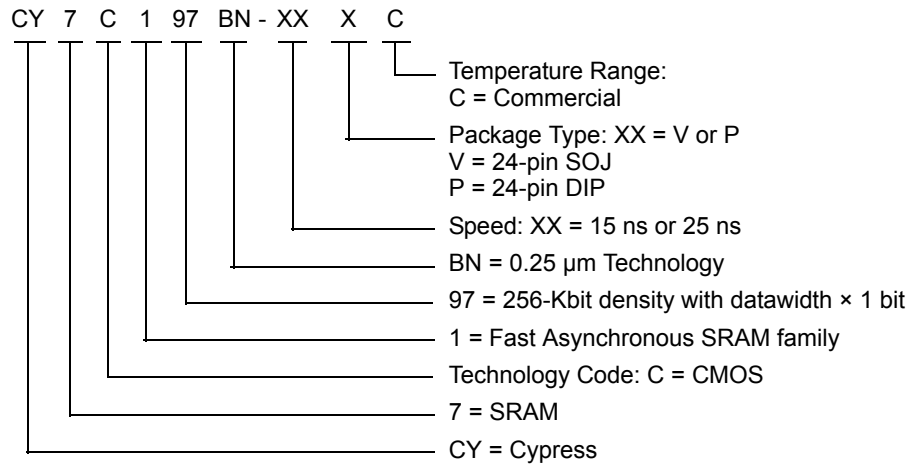
- 15. This cycle is  $\overline{\text{CE}}$  controlled.
- 16. If  $\overline{\text{CE}}$  goes HIGH simultaneously with  $\overline{\text{WE}}$  going HIGH, the output remains in a high impedance state.



**Ordering Information**

Speed (ns)	Ordering Code	Package Diagram	Package Type	Operating Range
15	CY7C197BN-15VC	51-85030	24-pin SOJ (8 × 15 × 3.5 mm)	Commercial
25	CY7C197BN-25PC	51-85013	24-pin DIP (6.6 × 31.8 × 3.5 mm)	Commercial

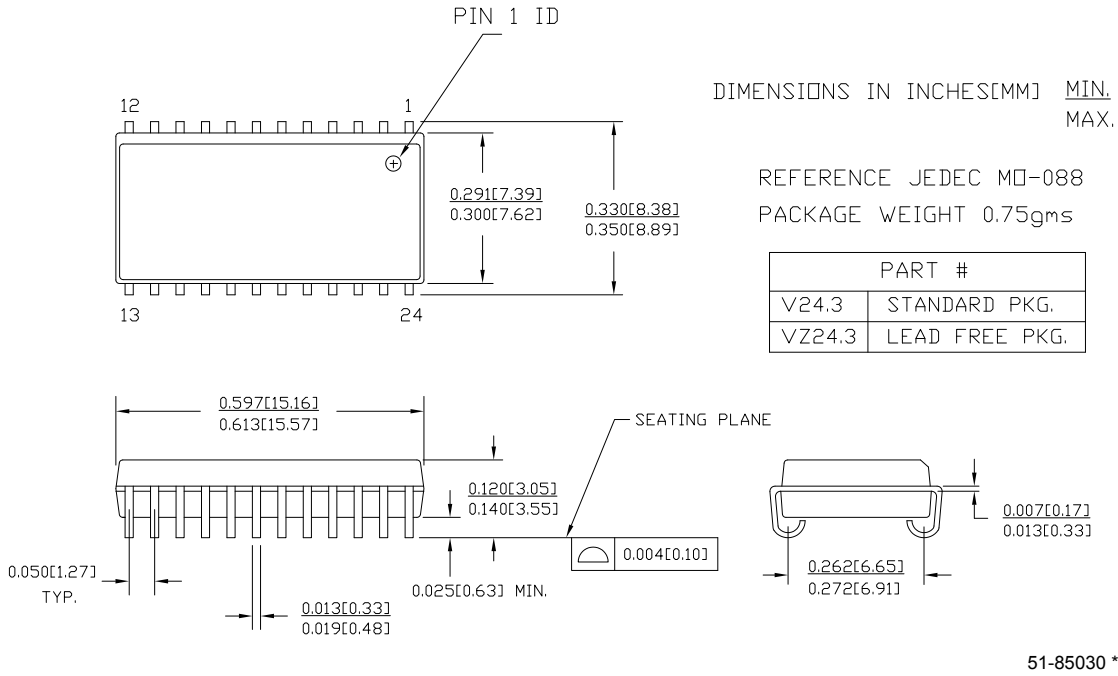
**Ordering Code Definitions**



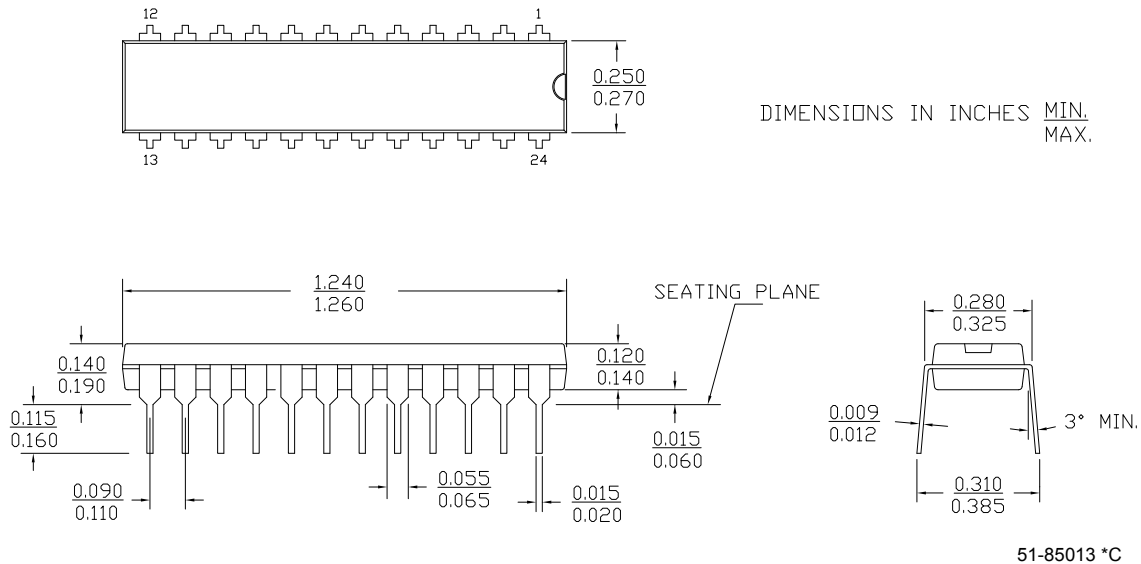
Please contact local sales representative regarding availability of these parts.

**Package Diagrams**

**Figure 1. 24-pin (300-mil) SOJ, 51-85030**



**Figure 2. 24-pin DIP (6.6 × 31.8 × 3.5 mm), 51-85013**



## Acronyms

Acronym	Description
CMOS	complementary metal oxide semiconductor
$\overline{CE}$	chip enable
DIP	dual in-line package
SOJ	small outline J-lead
SRAM	static random access memory
TTL	transistor-transistor logic
$\overline{WE}$	write enable

## Document Conventions

### Units of Measure

Symbol	Unit of Measure
$\Omega$	ohms
ns	nano seconds
V	Volts
$\mu$ A	micro Amperes
mA	milli Amperes
mm	milli meter
ms	milli seconds
MHz	Mega Hertz
pF	pico Farad
W	Watts
%	percent
$^{\circ}$ C	degree Celcius

**Document History Page**

Document Title: CY7C197BN 256-Kb (256 K × 1) Static RAM Document Number: 001-06447				
REV.	ECN No.	Issue Date	Orig. of Change	Description of Change
**	901742	See ECN	NXR	New Data Sheet
*A	2892510	03/18/2010	VKN	Removed 12ns speed bin Updated Ordering Information table Updated Package Diagrams Added Sales, Solutions, and Legal Information
*B	3108898	12/13/2010	AJU	Added <a href="#">Ordering Code Definitions</a> .
*C	3217480	04/06/2011	PRAS	Added <a href="#">Acronyms</a> and <a href="#">Units of Measure</a> . Updated in new template.

## Sales, Solutions, and Legal Information

### Worldwide Sales and Design Support

Cypress maintains a worldwide network of offices, solution centers, manufacturer's representatives, and distributors. To find the office closest to you, visit us at [Cypress Locations](#).

### Products

<a href="#">Automotive</a>	<a href="http://cypress.com/go/automotive">cypress.com/go/automotive</a>
<a href="#">Clocks &amp; Buffers</a>	<a href="http://cypress.com/go/clocks">cypress.com/go/clocks</a>
<a href="#">Interface</a>	<a href="http://cypress.com/go/interface">cypress.com/go/interface</a>
<a href="#">Lighting &amp; Power Control</a>	<a href="http://cypress.com/go/powerpsoc">cypress.com/go/powerpsoc</a> <a href="http://cypress.com/go/plc">cypress.com/go/plc</a>
<a href="#">Memory</a>	<a href="http://cypress.com/go/memory">cypress.com/go/memory</a>
<a href="#">Optical &amp; Image Sensing</a>	<a href="http://cypress.com/go/image">cypress.com/go/image</a>
<a href="#">PSoC</a>	<a href="http://cypress.com/go/psoc">cypress.com/go/psoc</a>
<a href="#">Touch Sensing</a>	<a href="http://cypress.com/go/touch">cypress.com/go/touch</a>
<a href="#">USB Controllers</a>	<a href="http://cypress.com/go/USB">cypress.com/go/USB</a>
<a href="#">Wireless/RF</a>	<a href="http://cypress.com/go/wireless">cypress.com/go/wireless</a>

### PSoC Solutions

[psoc.cypress.com/solutions](http://psoc.cypress.com/solutions)  
PSoC 1 | PSoC 3 | PSoC 5

---

© Cypress Semiconductor Corporation, 2007-2011. The information contained herein is subject to change without notice. Cypress Semiconductor Corporation assumes no responsibility for the use of any circuitry other than circuitry embodied in a Cypress product. Nor does it convey or imply any license under patent or other rights. Cypress products are not warranted nor intended to be used for medical, life support, life saving, critical control or safety applications, unless pursuant to an express written agreement with Cypress. Furthermore, Cypress does not authorize its products for use as critical components in life-support systems where a malfunction or failure may reasonably be expected to result in significant injury to the user. The inclusion of Cypress products in life-support systems application implies that the manufacturer assumes all risk of such use and in doing so indemnifies Cypress against all charges.

Any Source Code (software and/or firmware) is owned by Cypress Semiconductor Corporation (Cypress) and is protected by and subject to worldwide patent protection (United States and foreign), United States copyright laws and international treaty provisions. Cypress hereby grants to licensee a personal, non-exclusive, non-transferable license to copy, use, modify, create derivative works of, and compile the Cypress Source Code and derivative works for the sole purpose of creating custom software and or firmware in support of licensee product to be used only in conjunction with a Cypress integrated circuit as specified in the applicable agreement. Any reproduction, modification, translation, compilation, or representation of this Source Code except as specified above is prohibited without the express written permission of Cypress.

Disclaimer: CYPRESS MAKES NO WARRANTY OF ANY KIND, EXPRESS OR IMPLIED, WITH REGARD TO THIS MATERIAL, INCLUDING, BUT NOT LIMITED TO, THE IMPLIED WARRANTIES OF MERCHANTABILITY AND FITNESS FOR A PARTICULAR PURPOSE. Cypress reserves the right to make changes without further notice to the materials described herein. Cypress does not assume any liability arising out of the application or use of any product or circuit described herein. Cypress does not authorize its products for use as critical components in life-support systems where a malfunction or failure may reasonably be expected to result in significant injury to the user. The inclusion of Cypress' product in a life-support systems application implies that the manufacturer assumes all risk of such use and in doing so indemnifies Cypress against all charges.

Use may be limited by and subject to the applicable Cypress software license agreement.