

PLEASE CHECK WWW.MOLEX.COM FOR LATEST PART INFORMATION

Part Number: **0526020679**
Status: **Active**
Description: 1.00mm (.039") Pitch Receptacle, Dual Row Surface Mount, Vertical Stacking, 12.00 and 20.00mm (.472 and .787") Stacking Heights, 60 Circuits, Lead-free

Documents:

[3D Model](#) [Product Specification PS-52584-003 \(PDF\)](#)
[Drawing \(PDF\)](#) [RoHS Certificate of Compliance \(PDF\)](#)

General

Product Family PCB Receptacles
 Series [52602](#)
 Application Board-to-Board
 Product Name SlimStack™

Physical

Circuits (Loaded) 60
 Durability (mating cycles max) 50
 Glow-Wire Compliant No
 Material - Plating Mating Gold
 Material - Plating Termination Tin
 Number of Rows 2
 Orientation Vertical
 PC Tail Length (in) 0.071 In
 PC Tail Length (mm) 1.80 mm
 PCB Locator Yes
 PCB Retention None
 PCB Thickness Recommended (in) 0.040 In
 PCB Thickness Recommended (mm) 1.00 mm
 Packaging Type Tube
 Pitch - Mating Interface (in) 0.039 In
 Pitch - Mating Interface (mm) 1.00 mm
 Plating min: Mating (µin) 10
 Plating min: Mating (µm) 0.25
 Plating min: Termination (µin) 40
 Plating min: Termination (µm) 1
 Polarized to PCB Yes
 Surface Mount Compatible (SMC) N/A
 Temperature Range - Operating -55°C to +85°C
 Termination Interface: Style Surface Mount

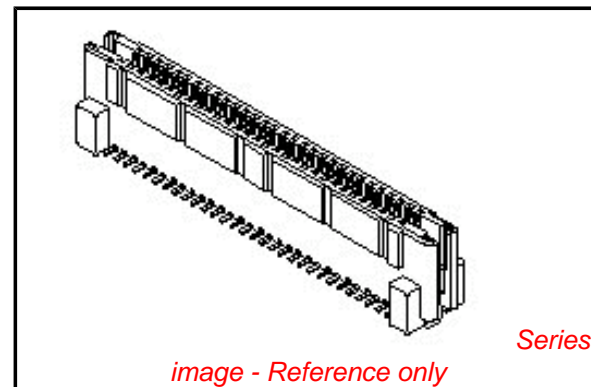
Electrical

Current - Maximum per Contact 0.5A
 Voltage - Maximum 100V

Material Info

Reference - Drawing Numbers

Product Specification PS-52584-003, RPS-52584-010
 Sales Drawing SD-52602-001, SD-52602-002



EU RoHS

**ELV and RoHS
 Compliant**
**REACH SVHC
 Contains SVHC: No**
**Halogen-Free
 Status
 Not Reviewed**

China RoHS



**Need more information on product
 environmental compliance?**

Email productcompliance@molex.com
 For a multiple part number RoHS Certificate of
 Compliance, [click here](#)

Please visit the [Contact Us](#) section for any
 non-product compliance questions.

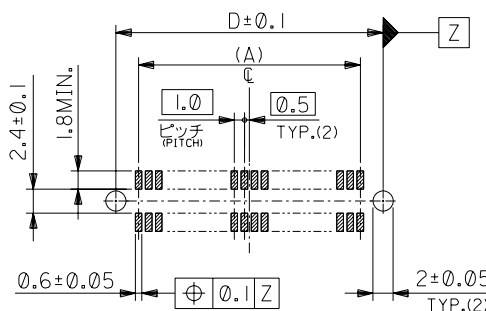
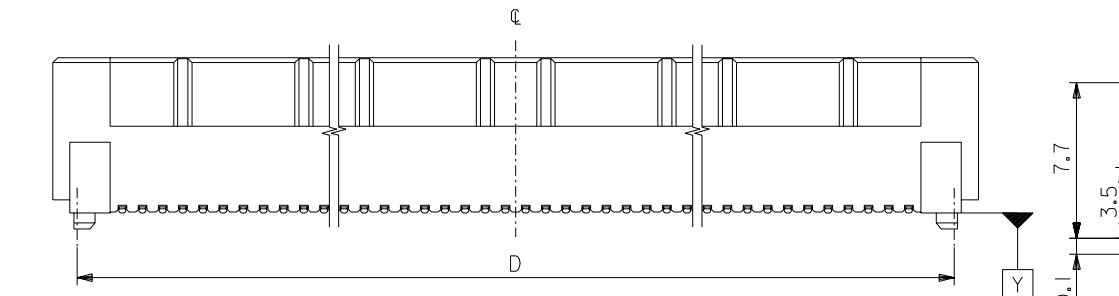
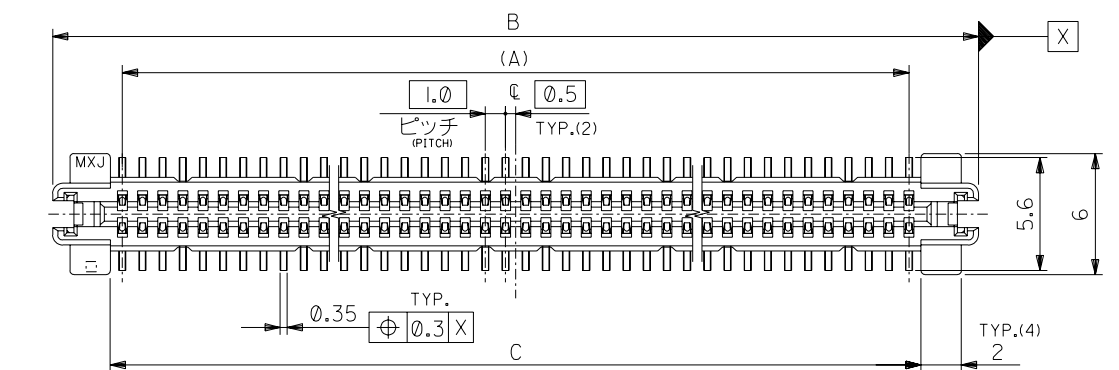
Search Parts in this Series

[52602Series](#)

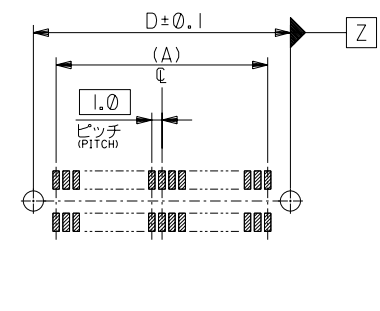
Mates With

[53408](#)

DWG. NO. SD-52602-001

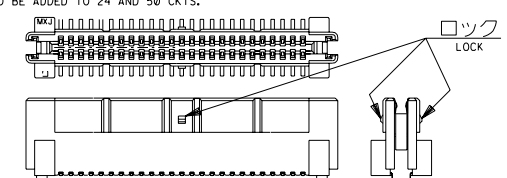
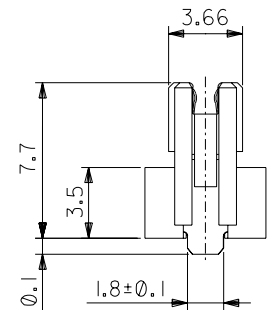


推奨基板寸法 (24, 60, 120, 140極)
RECOMMENDED PCB PATTERN LAYOUT (24,60,120,140 CKTS.)



推奨基板寸法 (50極)
RECOMMENDED PCB PATTERN LAYOUT (50 CKTS.)

- 注) NOTES
- 材質 MATERIAL
ハウジング: ガラス入りLCP, 白色, UL94V-0
HOUSING: G.F.LCP, WHITE, UL94V-0
ターミナル: 燐青銅 (t=0.2)
TERMINAL: PHOSPHOR BRONZE
 - メッキ仕様 PLATING
接点部: 金メッキ 0.25 μm以上
CONTACT AREA: GOLD 0.25 μm MIN.
半田付け部: 錫メッキ 1.0 μm以上
SOLDER TAIL AREA: TIN 1.0 μm MIN.
下地メッキ: ニッケルメッキ 2.0 μm以上
UNDER-PLATING: NICKEL 2.0 μm MIN.
 - 推奨基板厚 RECOMMENDED PCB THICKNESS
1.0 ± 0.1mm MIN.
 - テールのバラツキ寸法 TAIL COPLANARITY
テールは、Y面を基準とし、上へ0.02下へ0.15の範囲にのみ、且つテール平坦度は0.15とする。
TAILS TO BE WITHIN 0.02 UPWARD AND 0.15 DOWNWARD FROM Y-DATUM PLANE, AND TAIL COPLANARITY TO BE 0.15.
 - ロックは、24, 50極に設置する。
LOCK TO BE ADDED TO 24 AND 50 CKTS.



- 梱包 PACKAGING
本製品はスティック梱包とし梱包後の MATERIAL NO. は 52602-***79 とする。
THIS PRODUCT IS TO BE PACKED IN TUBE. MATERIAL NO. 52602-***79
- 同一基板内に複数個 (2ヶ以上) の使用は避けてください。
MXJ DOSE NOT RECOMMEND THE USAGE OF TWO OR MORE OF THESE CONNECTORS BETWEEN A SINGLE PAIR OF P.C.B.OARD.
- 本製品は、52602-***00 の鉛フリー品である。
THIS PRODUCT IS LEAD FREE OF 52602-***00.

73.5	70.2	75.9	69	52602-1470	140
63.5	60.2	65.9	59	52602-1270	120
33.5	30.2	35.9	29	52602-0670	60
28.5	25.2	30.9	24	52602-0570	50
15.5	12.2	17.9	11	52602-2470	24
D	C	B	(A)	MATERIAL NO.	極数 NO. OF CIRCUITS

DO NOT SCALE DRAWING

EC NO. DRAWN: CH'K: APPR:		EC NO. DRAWN: CH'K: APPR:		EC NO. DRAWN: CH'K: APPR:		EC NO. DRAWN: CH'K: APPR:		EC NO. DRAWN: CH'K: APPR:		RELEASED '04/03/10 EC NO. J2004-2974 DRWN: Y.SAKIYAMA CH'K: M.SASAO APPR: M.SASAO		MATERIAL 材料 SEE NOTES		GENERAL TOLERANCES: (UNLESS SPECIFIED) 一般公差		SCALE 1:1 DESIGN UNITS mm INCH		MODEL NO. 52602-***70		DIMENSIONS: mm INCH		SHT REV	
												FINISH 仕上げ SEE NOTES		10 UNDER 未満 ±0.2		DRAWN BY & DATE Y. Sakayama '04/03/10		THIRD ANGLE PROJECTION		TITLE: 1.0 B/B S/T REC. HS'G ASS'Y -LEAD FREE-			
												WIRE RANGE 適用電線範囲 //		10 OVER 30 UNDER 未満 ±0.25		CHECKED BY & DATE H. Saito '04/03/10		MOLEX		MATERIAL NO. SEE CHART		DRAWING NO. SD-52602-001	
												INS. RANGE 被覆外径 //		30 OVER 以上 ±0.3		APPROVED BY & DATE H. Saito '04/03/10		MATERIAL NO. SEE CHART		DRAWING NO. SD-52602-001		SHEET NO. 1 OF 1	
														ANGLE 角度 ±3°		CAD FILENAME SD-52602-001.S01		THIS DRAWING CONTAINS INFORMATION THAT IS PROPRIETARY TO MOLEX INCORPORATED AND SHOULD NOT BE USED WITHOUT WRITTEN PERMISSION.		SIZE B			

