

BLF6G20-180RN; BLF6G20LS-180RN

Power LDMOS transistor

Rev. 01 — 17 November 2008

Product data sheet

1. Product profile

1.1 General description

180 W LDMOS power transistor for base station applications at frequencies from 1800 MHz to 2000 MHz.

Table 1. Typical performance

Typical RF performance at $T_{case} = 25\text{ }^{\circ}\text{C}$ in a class-AB production test circuit.

Mode of operation	f (MHz)	V_{DS} (V)	$P_{L(AV)}$ (W)	G_p (dB)	η_D (%)	IMD3 (dBc)	ACPR (dBc)
2-carrier WCDMA	1930 to 1990	30	40	17.2	27	-38 ^[1]	-41 ^[1]

[1] Test signal: 3GPP; test model 1; 64 DPCH; PAR = 7 dB at 0.01 % probability on CCDF per carrier; carrier spacing 10 MHz.

CAUTION



This device is sensitive to ElectroStatic Discharge (ESD). Therefore care should be taken during transport and handling.

1.2 Features

- Typical 2-carrier WCDMA performance at frequencies of 1930 MHz and 1990 MHz, a supply voltage of 30 V and an I_{Dq} of 1400 mA:
 - ◆ Average output power = 40 W
 - ◆ Power gain = 17.2 dB
 - ◆ Efficiency = 27 %
 - ◆ IMD3 = -41 dBc
 - ◆ ACPR = -38 dBc
- Easy power control
- Integrated ESD protection
- Enhanced ruggedness
- High efficiency
- Excellent thermal stability
- Designed for broadband operation (1800 MHz to 2000 MHz)
- Internally matched for ease of use

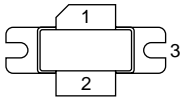
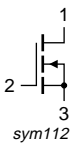
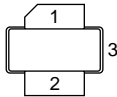
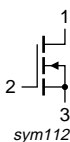
- Compliant to Directive 2002/95/EC, regarding Restriction of Hazardous Substances (RoHS)

1.3 Applications

- RF power amplifiers for GSM, GSM EDGE, W-CDMA and CDMA base stations and multi carrier applications in the 1800 MHz to 2000 MHz frequency range

2. Pinning information

Table 2. Pinning

Pin	Description	Simplified outline	Graphic symbol
BLF6G20-180RN (SOT502A)			
1	drain		 sym112
2	gate		
3	source		
BLF6G20LS-180RN (SOT502B)			
1	drain		 sym112
2	gate		
3	source		

[1] Connected to flange.

3. Ordering information

Table 3. Ordering information

Type number	Package		
	Name	Description	Version
BLF6G20-180RN	-	flanged LDMOST ceramic package; 2 mounting holes; 2 leads	SOT502A
BLF6G20LS-180RN	-	earless flanged LDMOST ceramic package; 2 leads	SOT502B

4. Limiting values

Table 4. Limiting values

In accordance with the Absolute Maximum Rating System (IEC 60134).

Symbol	Parameter	Conditions	Min	Max	Unit
V_{DS}	drain-source voltage		-	65	V
V_{GS}	gate-source voltage		-0.5	+13	V
I_D	drain current		-	49	A
T_{stg}	storage temperature		-65	+150	°C
T_j	junction temperature		-	225	°C

5. Thermal characteristics

Table 5. Thermal characteristics

Symbol	Parameter	Conditions	Type	Typ	Unit
$R_{th(j-case)}$	thermal resistance from junction to case	$T_{case} = 80\text{ °C};$ $P_L = 40\text{ W}$	BLF6G20-180RN	0.50	K/W
			BLF6G20LS-180RN	0.37	K/W

6. Characteristics

Table 6. Characteristics

$T_j = 25\text{ °C}$ unless otherwise specified.

Symbol	Parameter	Conditions	Min	Typ	Max	Unit
$V_{(BR)DSS}$	drain-source breakdown voltage	$V_{GS} = 0\text{ V}; I_D = 0.9\text{ mA}$	65	-	-	V
$V_{GS(th)}$	gate-source threshold voltage	$V_{DS} = 10\text{ V}; I_D = 270\text{ mA}$	1.4	2.0	2.4	V
V_{GSq}	gate-source quiescent voltage	$V_{DS} = 28\text{ V}; I_D = 1.62\text{ A}$	1.5	2.0	2.5	V
I_{DSS}	drain leakage current	$V_{GS} = 0\text{ V}; V_{DS} = 28\text{ V}$	-	-	5	μA
I_{DSX}	drain cut-off current	$V_{GS} = V_{GS(th)} + 3.75\text{ V};$ $V_{DS} = 10\text{ V}$	40	45	-	A
I_{GSS}	gate leakage current	$V_{GS} = 13\text{ V}; V_{DS} = 0\text{ V}$	-	-	450	nA
g_{fs}	forward transconductance	$V_{DS} = 10\text{ V}; I_D = 13.5\text{ A}$	-	19.5	-	S
$R_{DS(on)}$	drain-source on-state resistance	$V_{GS} = V_{GS(th)} + 3.75\text{ V};$ $I_D = 9.45\text{ A}$	-	0.06	-	Ω
C_{rs}	feedback capacitance	$V_{GS} = 0\text{ V}; V_{DS} = 30\text{ V};$ $f = 1\text{ MHz}$	-	3.3	-	pF

7. Application information

Table 7. Application information

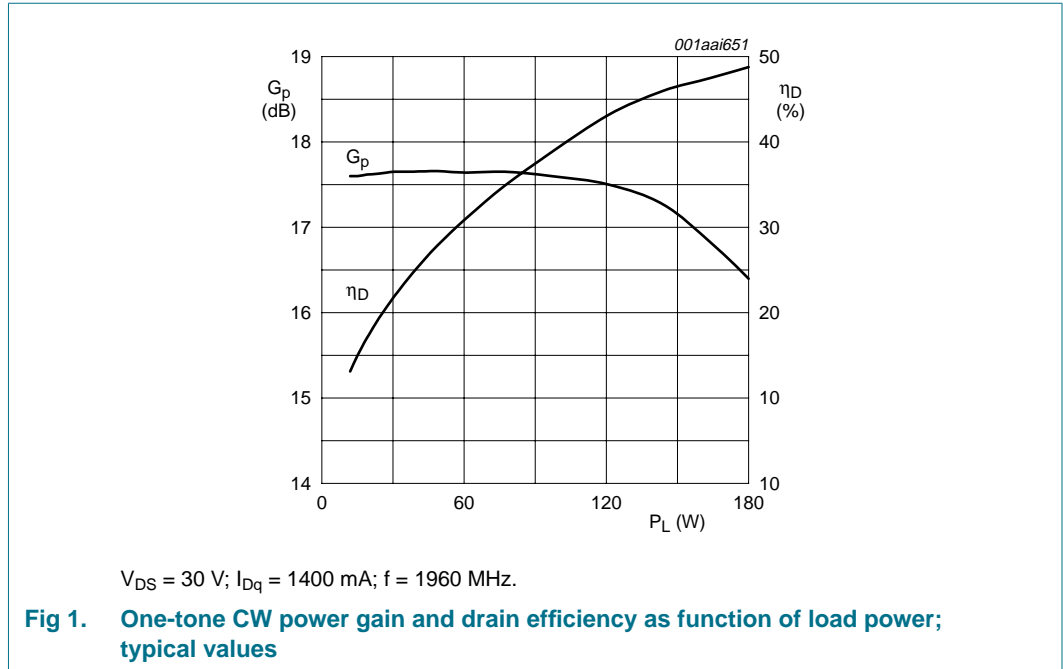
Mode of operation: 2-carrier WCDMA; PAR = 7 dB at 0.01 % probability on the CCDF; $f_1 = 1932.5\text{ MHz}; f_2 = 1942.5\text{ MHz}; f_3 = 1977.5\text{ MHz}; f_4 = 1987.5\text{ MHz}$; RF performance at $V_{DS} = 30\text{ V}; I_{Dq} = 1400\text{ mA}; T_{case} = 25\text{ °C}$; unless otherwise specified; in a class-AB production test circuit.

Symbol	Parameter	Conditions	Min	Typ	Max	Unit
$P_{L(AV)}$	average output power		-	40	-	W
G_p	power gain	$P_{L(AV)} = 40\text{ W}$	16.3	17.2	-	dB
RL_{in}	input return loss	$P_{L(AV)} = 40\text{ W}$	-	-15	-10	dB
η_D	drain efficiency	$P_{L(AV)} = 40\text{ W}$	24	27	-	%
IMD3	third order intermodulation distortion	$P_{L(AV)} = 40\text{ W}$	-	-38	-35	dBc
ACPR	adjacent channel power ratio	$P_{L(AV)} = 40\text{ W}$	-	-41	-39	dBc

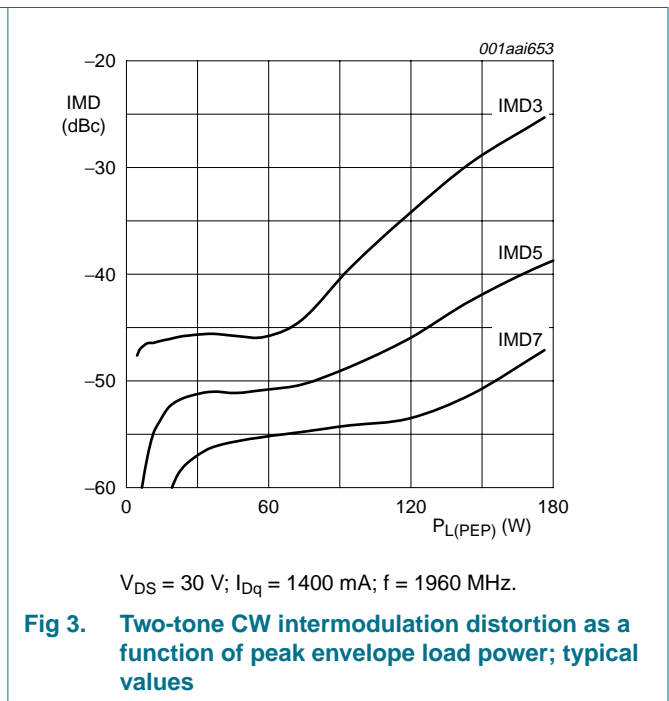
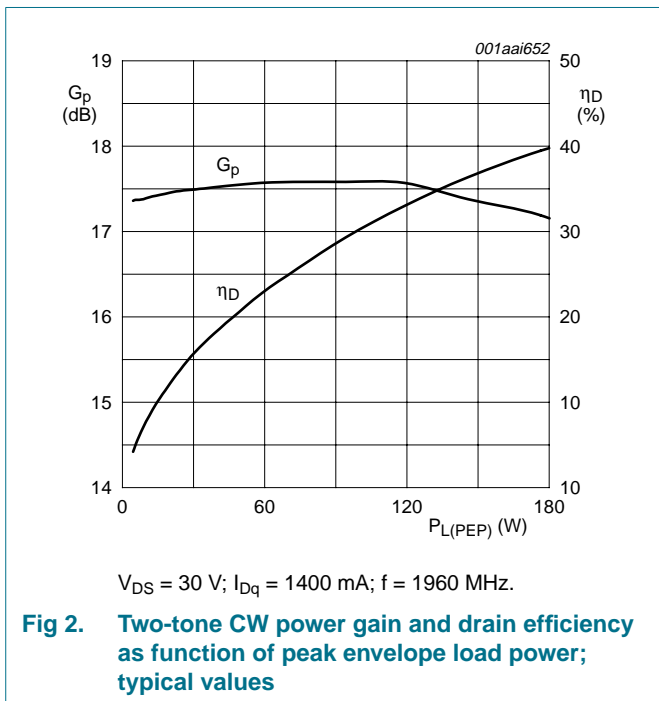
7.1 Ruggedness in class-AB operation

The BLF6G20-180RN and BLF6G20LS-180RN are capable of withstanding a load mismatch corresponding to VSWR = 10 : 1 through all phases under the following conditions: $V_{DS} = 30\text{ V}; I_{Dq} = 1400\text{ mA}; P_L = 180\text{ W (CW)}; f = 1990\text{ MHz}$.

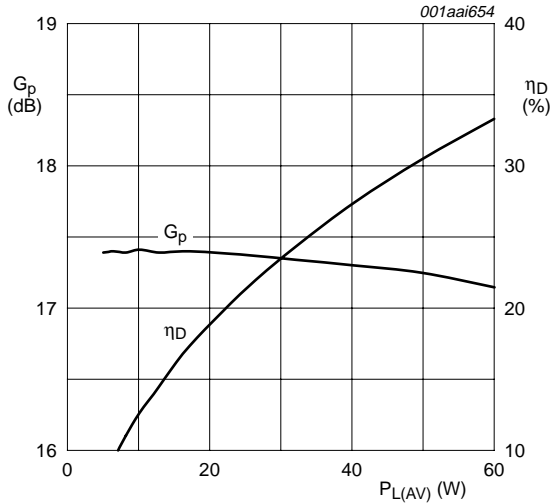
7.2 One-tone CW



7.3 Two-tone CW

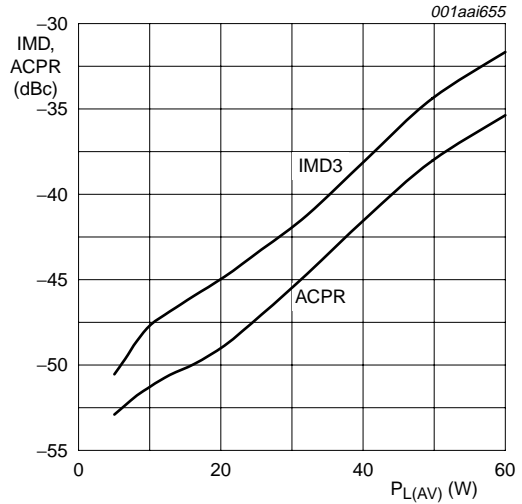


7.4 2-carrier W-CDMA



$V_{DS} = 30\text{ V}$; $I_{Dq} = 1400\text{ mA}$; $f = 1960\text{ MHz}$ ($\pm 5\text{ MHz}$); carrier spacing 10 MHz.

Fig 4. 2-carrier W-CDMA power gain and drain efficiency as function of average load power; typical values



$V_{DS} = 30\text{ V}$; $I_{Dq} = 1400\text{ mA}$; $f = 1960\text{ MHz}$ ($\pm 5\text{ MHz}$); carrier spacing 10 MHz.

Fig 5. 2-carrier W-CDMA adjacent channel power ratio and third order intermodulation distortion as function of average load power; typical values

8. Test information

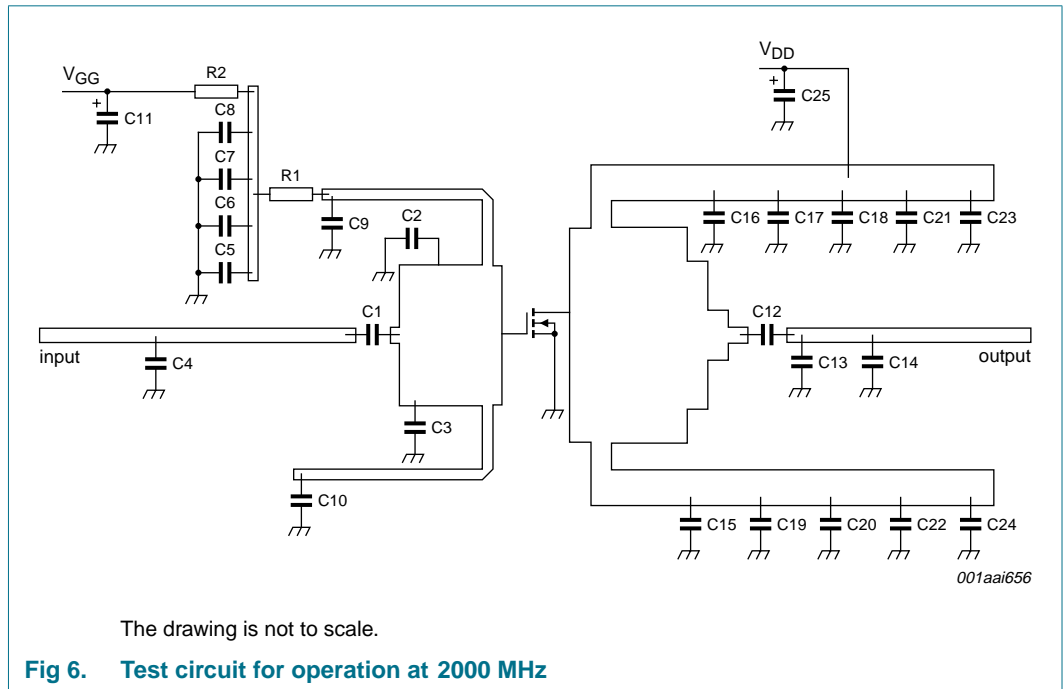


Fig 6. Test circuit for operation at 2000 MHz

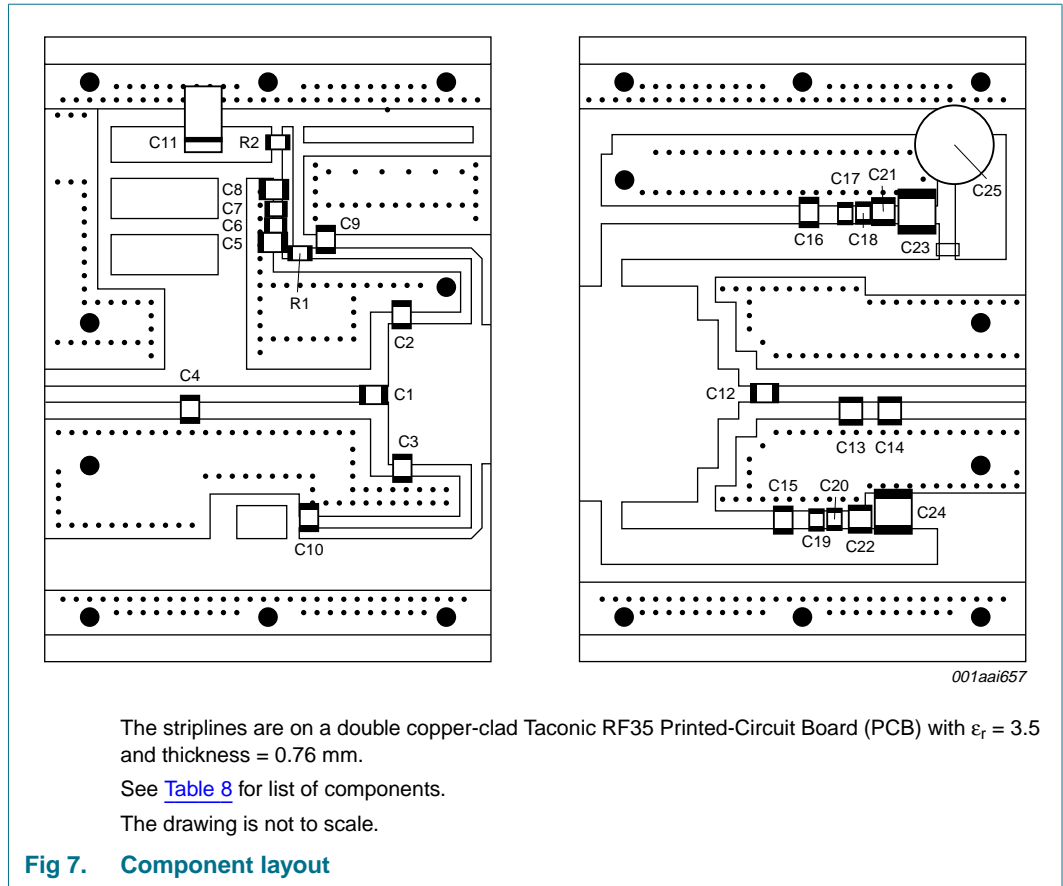


Fig 7. Component layout

Table 8. List of components (see Figure 6 and Figure 7)

The Printed-Circuit Board (PCB) used is a double copper-clad Taconic RF35 with $\epsilon_r = 3.5$ and thickness = 0.76 mm.

Component	Description	Value	Remarks
C1	multilayer ceramic chip capacitor	1.9 pF	[1] ATC 100B or capacitor of same quality
C2	multilayer ceramic chip capacitor	2.0 pF	[1] ATC 100B or capacitor of same quality
C3	multilayer ceramic chip capacitor	0.6 pF	[1] ATC 100B or capacitor of same quality
C4	multilayer ceramic chip capacitor	1.8 pF	[1] ATC 100B or capacitor of same quality
C5, C12, C15, C16	multilayer ceramic chip capacitor	11 pF	[1] ATC 100B or capacitor of same quality
C6, C7, C17, C18, C19, C20	multilayer ceramic chip capacitor	220 nF	Vishay or capacitor of same quality
C8	multilayer ceramic chip capacitor	100 nF	Vishay or capacitor of same quality
C9, C10	multilayer ceramic chip capacitor	12 pF	[1] ATC 100B or capacitor of same quality
C11	multilayer ceramic chip capacitor	10 μ F	
C13	multilayer ceramic chip capacitor	1.0 pF	[1] ATC 100B or capacitor of same quality
C14	multilayer ceramic chip capacitor	0.3 pF	[1] ATC 100B or capacitor of same quality
C21, C22	multilayer ceramic chip capacitor	1.5 μ F	
C23, C24	multilayer ceramic chip capacitor	10 μ F; 50 V	TDK or capacitor of same quality
C25	electrolytic capacitor	220 μ F; 63 V	

Table 8. List of components (see [Figure 6](#) and [Figure 7](#)) ...continued

The Printed-Circuit Board (PCB) used is a double copper-clad Taconic RF35 with $\epsilon_r = 3.5$ and thickness = 0.76 mm.

Component	Description	Value	Remarks
L1	ferrite SMD bead	-	Ferroxcube BDS 3/3/4.6-4S2 or equivalent
R1	SMD resistor	2.7 Ω	
R2	SMD resistor	6.8 Ω	

[1] Solder vertically.

9. Package outline

Flanged LDMOST ceramic package; 2 mounting holes; 2 leads

SOT502A

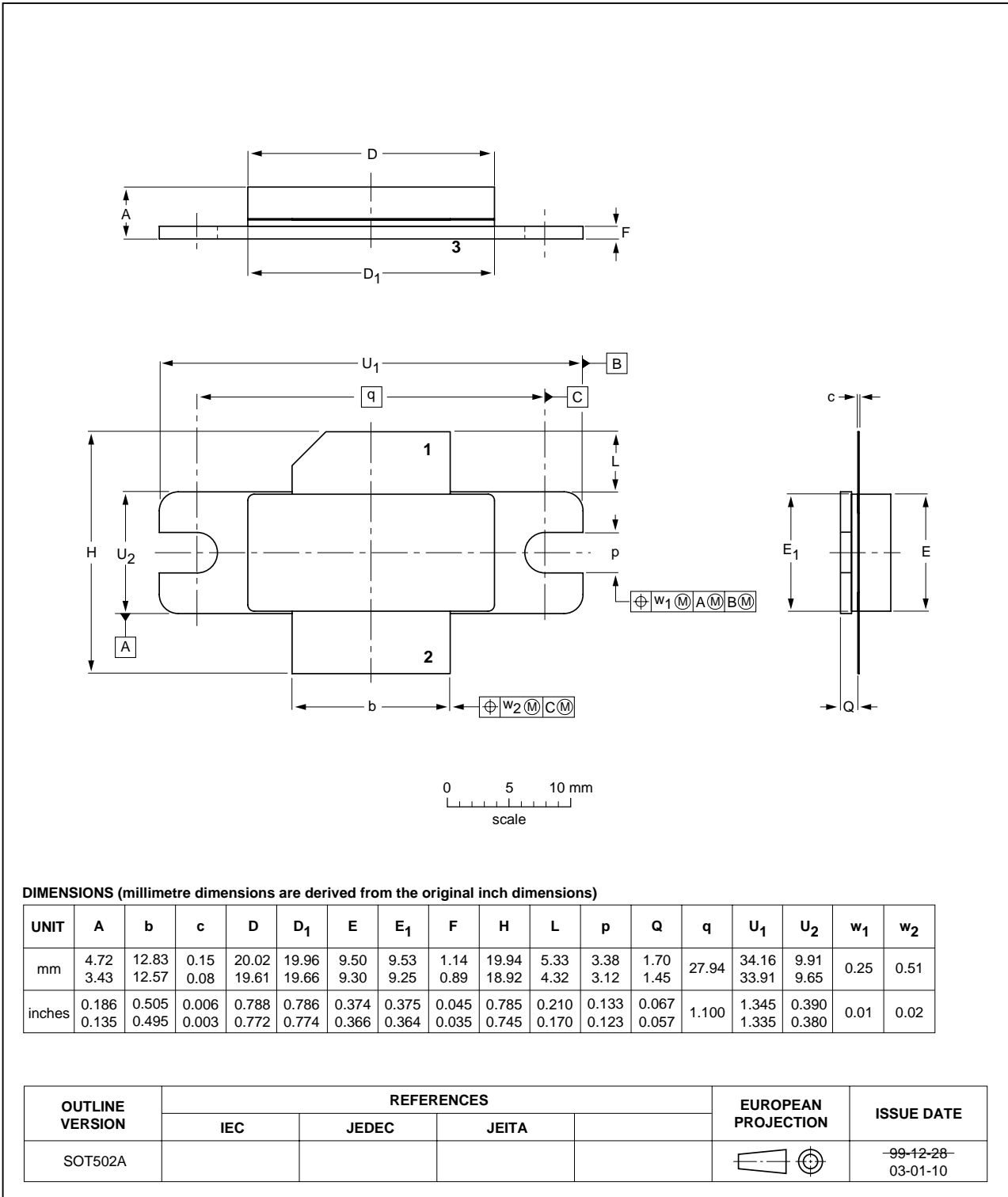


Fig 8. Package outline SOT502A

Earless flanged LDMOST ceramic package; 2 leads

SOT502B

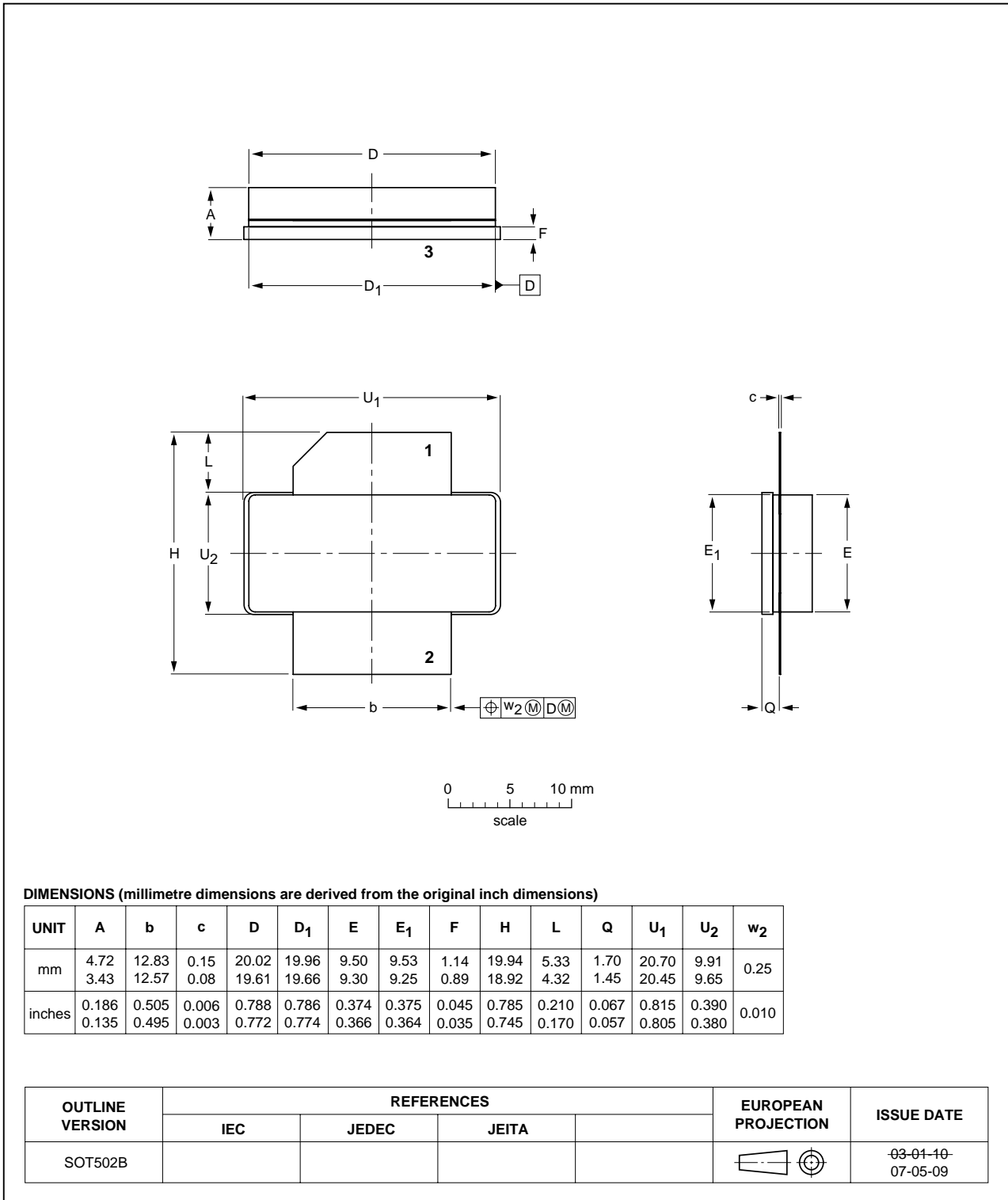


Fig 9. Package outline SOT502B

10. Abbreviations

Table 9. Abbreviations

Acronym	Description
3GPP	Third Generation Partnership Project
CCDF	Complementary Cumulative Distribution Function
CDMA	Code Division Multiple Access
CW	Continuous Wave
DPCH	Dedicated Physical CHannel
EDGE	Enhanced Data rates for GSM Evolution
GSM	Global System for Mobile communications
LDMOS	Laterally Diffused Metal Oxide Semiconductor
LDMOST	Laterally Diffused Metal-Oxide Semiconductor Transistor
PAR	Peak-to-Average power Ratio
PDPCH	transmission Power of the Dedicated Physical CHannel
RF	Radio Frequency
VSWR	Voltage Standing Wave Ratio
W-CDMA	Wideband Code Division Multiple Access

11. Revision history

Table 10. Revision history

Document ID	Release date	Data sheet status	Change notice	Supersedes
BLF6G20-180RN_20LS-180RN_1	20081117	Product data sheet	-	-

12. Legal information

12.1 Data sheet status

Document status ^{[1][2]}	Product status ^[3]	Definition
Objective [short] data sheet	Development	This document contains data from the objective specification for product development.
Preliminary [short] data sheet	Qualification	This document contains data from the preliminary specification.
Product [short] data sheet	Production	This document contains the product specification.

[1] Please consult the most recently issued document before initiating or completing a design.

[2] The term 'short data sheet' is explained in section "Definitions".

[3] The product status of device(s) described in this document may have changed since this document was published and may differ in case of multiple devices. The latest product status information is available on the Internet at URL <http://www.nxp.com>.

12.2 Definitions

Draft — The document is a draft version only. The content is still under internal review and subject to formal approval, which may result in modifications or additions. NXP Semiconductors does not give any representations or warranties as to the accuracy or completeness of information included herein and shall have no liability for the consequences of use of such information.

Short data sheet — A short data sheet is an extract from a full data sheet with the same product type number(s) and title. A short data sheet is intended for quick reference only and should not be relied upon to contain detailed and full information. For detailed and full information see the relevant full data sheet, which is available on request via the local NXP Semiconductors sales office. In case of any inconsistency or conflict with the short data sheet, the full data sheet shall prevail.

12.3 Disclaimers

General — Information in this document is believed to be accurate and reliable. However, NXP Semiconductors does not give any representations or warranties, expressed or implied, as to the accuracy or completeness of such information and shall have no liability for the consequences of use of such information.

Right to make changes — NXP Semiconductors reserves the right to make changes to information published in this document, including without limitation specifications and product descriptions, at any time and without notice. This document supersedes and replaces all information supplied prior to the publication hereof.

Suitability for use — NXP Semiconductors products are not designed, authorized or warranted to be suitable for use in medical, military, aircraft, space or life support equipment, nor in applications where failure or

malfunction of an NXP Semiconductors product can reasonably be expected to result in personal injury, death or severe property or environmental damage. NXP Semiconductors accepts no liability for inclusion and/or use of NXP Semiconductors products in such equipment or applications and therefore such inclusion and/or use is at the customer's own risk.

Applications — Applications that are described herein for any of these products are for illustrative purposes only. NXP Semiconductors makes no representation or warranty that such applications will be suitable for the specified use without further testing or modification.

Limiting values — Stress above one or more limiting values (as defined in the Absolute Maximum Ratings System of IEC 60134) may cause permanent damage to the device. Limiting values are stress ratings only and operation of the device at these or any other conditions above those given in the Characteristics sections of this document is not implied. Exposure to limiting values for extended periods may affect device reliability.

Terms and conditions of sale — NXP Semiconductors products are sold subject to the general terms and conditions of commercial sale, as published at <http://www.nxp.com/profile/terms>, including those pertaining to warranty, intellectual property rights infringement and limitation of liability, unless explicitly otherwise agreed to in writing by NXP Semiconductors. In case of any inconsistency or conflict between information in this document and such terms and conditions, the latter will prevail.

No offer to sell or license — Nothing in this document may be interpreted or construed as an offer to sell products that is open for acceptance or the grant, conveyance or implication of any license under any copyrights, patents or other industrial or intellectual property rights.

12.4 Trademarks

Notice: All referenced brands, product names, service names and trademarks are the property of their respective owners.

13. Contact information

For more information, please visit: <http://www.nxp.com>

For sales office addresses, please send an email to: salesaddresses@nxp.com

14. Contents

1 Product profile 1

1.1 General description 1

1.2 Features 1

1.3 Applications 2

2 Pinning information 2

3 Ordering information 2

4 Limiting values 2

5 Thermal characteristics 3

6 Characteristics 3

7 Application information 3

7.1 Ruggedness in class-AB operation 3

7.2 One-tone CW 4

7.3 Two-tone CW 4

7.4 2-carrier W-CDMA 5

8 Test information 5

9 Package outline 8

10 Abbreviations 10

11 Revision history 10

12 Legal information 11

12.1 Data sheet status 11

12.2 Definitions 11

12.3 Disclaimers 11

12.4 Trademarks 11

13 Contact information 11

14 Contents 12

Please be aware that important notices concerning this document and the product(s) described herein, have been included in section 'Legal information'.



© NXP B.V. 2008.

All rights reserved.

For more information, please visit: <http://www.nxp.com>

For sales office addresses, please send an email to: salesaddresses@nxp.com

Date of release: 17 November 2008

Document identifier: BLF6G20-180RN_20LS-180RN_1