

PLEASE CHECK WWW.MOLEX.COM FOR LATEST PART INFORMATION

Part Number: **0350689702**
Status: **Active**
Description: MP-Lock™ Quick Disconnect, Female, for 20-22 AWG (0.52-0.33mm²), Metal Strip, Tab 4.75 by 0.50mm (.187 by .020"), Pre-Tin Plated

Documents:

Drawing (PDF)	Product Specification PS-35817-001 (PDF)
Product Specification PS-35189-001 (PDF)	Product Specification PS-68416-001 (PDF)
Product Specification PS-35189-004 (PDF)	RoHS Certificate of Compliance (PDF)

Agency Certification

CSA	LR95446
UL	E92853

General

Product Family	Quick Disconnects
Series	35068
Crimp Quality Equipment	Yes
Product Name	MP-Lock™
Type	Quick Disconnect

Physical

Barrel Type	Open
Gender	Female
Glow-Wire Compliant	No
Insulation	None
Lock to Mating Part	Yes
Orientation	Straight
Packaging Type	Reel
Polarized to Mating Part	Yes
Tab Thickness	0.51mm (.020")
Tab Width	4.75mm (.187")
Temperature Range - Operating	-40°C to +105°C
Termination Interface: Style	Crimp or Compression
Wire Insulation Diameter	2.70mm (.106") max.
Wire Size AWG	20, 22
Wire Size mm ²	0.33 - 0.52

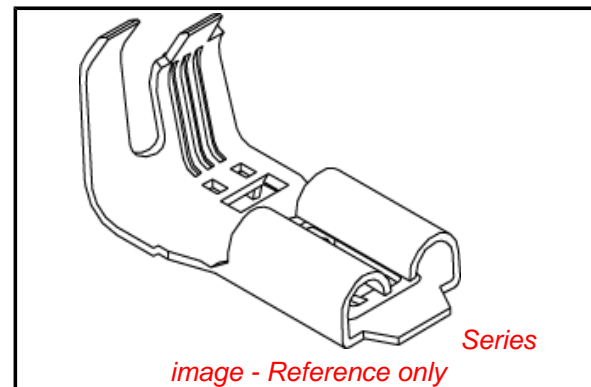
Electrical

Voltage - Maximum	300V
-------------------	------

Material Info

Reference - Drawing Numbers

Product Specification	PS-35189-001, PS-35189-004, PS-35817-001, PS-68416-001, RPS-35068-001, RPS-35189-002
Sales Drawing	SD-35068-9702



EU RoHS

ELV and RoHS Compliant
REACH SVHC
Contains SVHC: No
Halogen-Free Status

China RoHS



Need more information on product environmental compliance?

Email productcompliance@molex.com
 For a multiple part number RoHS Certificate of Compliance, [click here](#)

Please visit the [Contact Us](#) section for any non-product compliance questions.

Search Parts in this Series

35068Series

Use With

35189 , 35817 , 35961

Application Tooling | FAQ

Tooling specifications and manuals are found by selecting the products below. Crimp Height Specifications are then contained in the Application Tooling Specification document.

Global

Description	Product #
Mini-Mac™	0638019000
Applicator Rear Feed	

Japan

Description	Product #
End-Feed Applicator	0573663100

DO NOT SCALE DRAWING DIMENSION IN METRIC

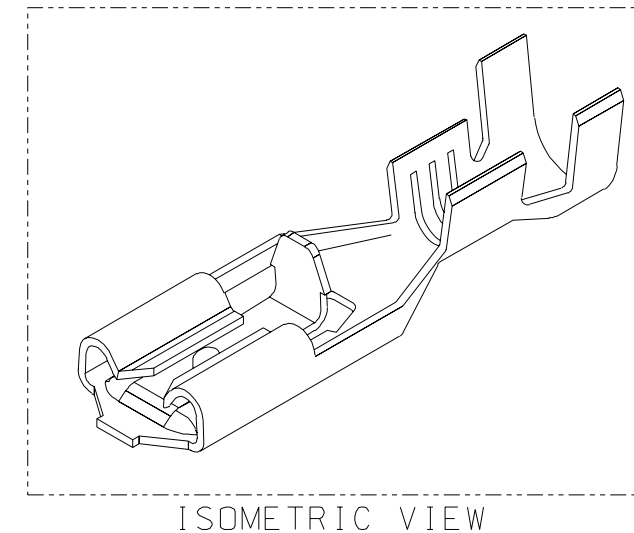
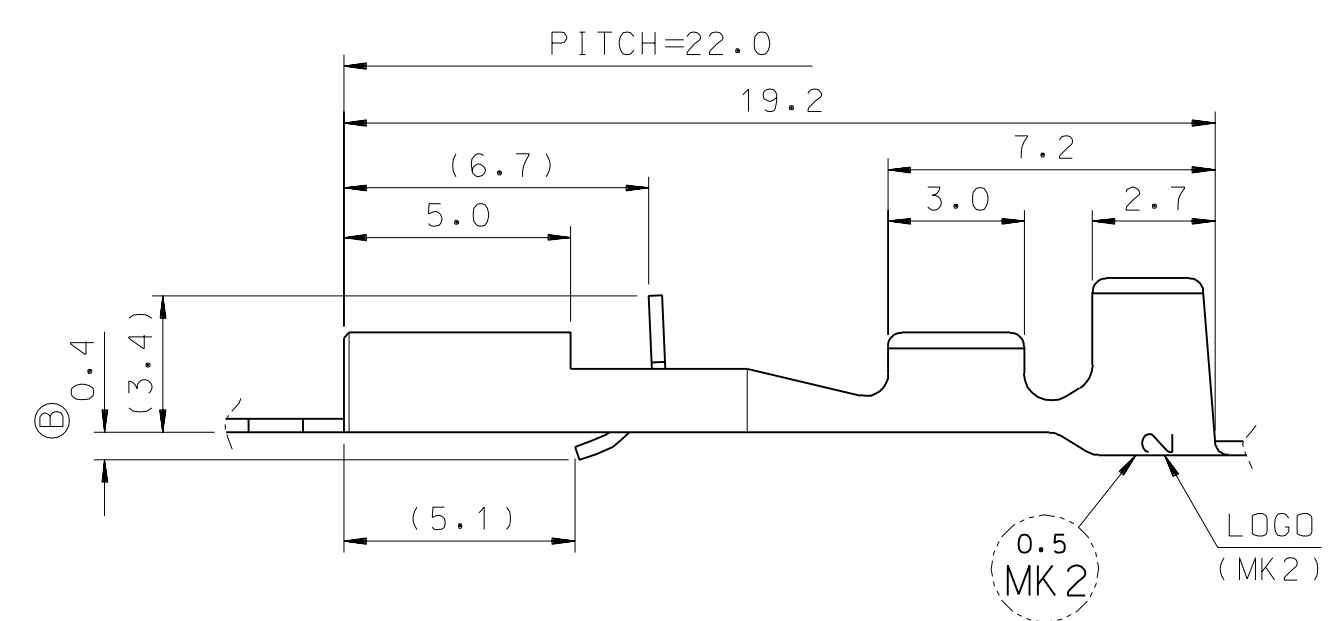
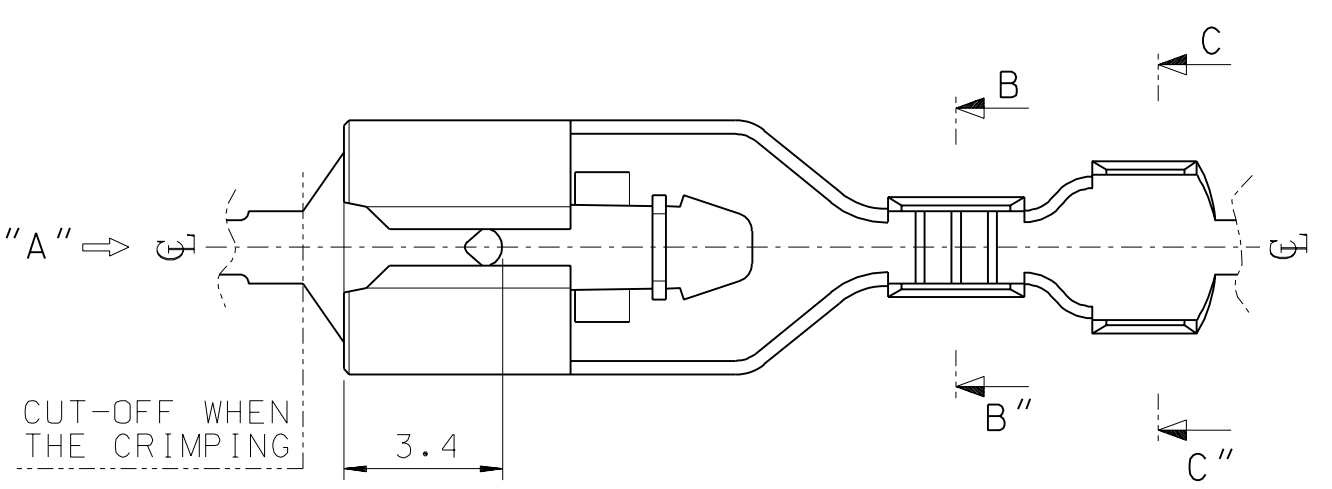
DWG. NO. SD-35068-9702

SIMILAR ITEM

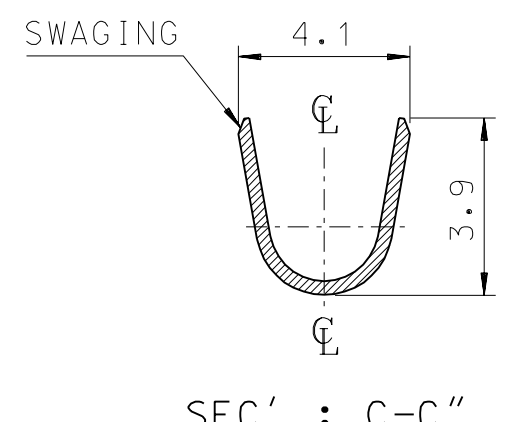
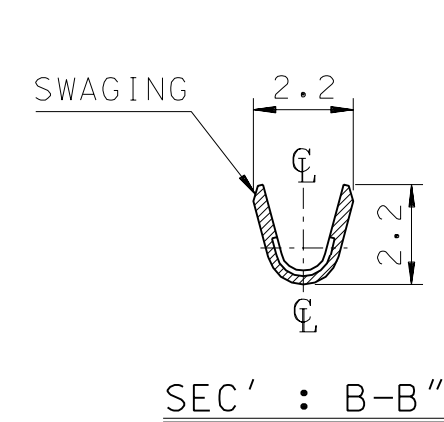
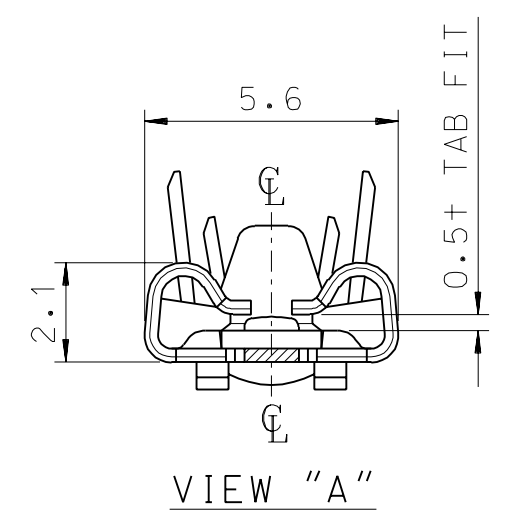
PROJECT NO. .187 MP-LOCK CONN'

C

B



- NOTES
1. MATERIAL : BRASS, 0.3mm THICKNESS
 2. FINISH : PRE-PLATED TIN
 3. MATING TAB THICKNESS : 0.5mm
 4. RECOMMENDED LENGTH OF WIRE STRIP IS 4.4-5.0mm.
 5. APPLICABLE WIRE : AWG #22-#20
INSULATION DIA. : ϕ 1.5-2.7mm



REVISED	EC NO. KDR1998-0101 DRWN: J.S.KANG 98/08/24 CHK: B.K.CHOI APPR: C.W.LEE	DESCRIPTION	QUALITY SYMBOLS MAJOR \blacktriangledown = CRITICAL \triangle =	GENERAL TOLERANCES: (UNLESS SPECIFIED)		SCALE 6/1	DESIGN UNITS <input checked="" type="checkbox"/> mm <input type="checkbox"/> INCH	THIRD ANGLE PROJECTION	DIMENSIONS: <input type="checkbox"/> mm <input type="checkbox"/> INCH <input checked="" type="checkbox"/> mm ONLY		SHT	REV
				4 PLACES $\pm 0.$	$\pm .$	DRAWN BY & DATE J.S.KANG 97/04/14		TITLE: .187 MP-LOCK TM'L(S) (0.5+ TAB FIT)		MOLEX INCORPORATED KOREA	SHEET NO. 1 of 1	SIZE B
C	REV			5 PLACES $\pm 0.$	$\pm .$	CHECKED BY & DATE B.K.CHOI		DRAWING NO. SD-35068-9702				
				2 PLACES ± 0.2	$\pm .$	APPROVED BY & DATE C.W.LEE		DRAWING NO. SD-35068-9702				
				1 PLACE ± 0.3	$\pm .$	CAD FILENAME s35068e.dgn		DRAWING NO. SD-35068-9702		SHEET NO. 1 of 1		
				ANGULAR: $\pm 1^\circ$				DRAFT WHERE APPLICABLE MUST REMAIN WITHIN DIMENSIONS				