

- ◇Structure           Silicon Monolithic integrated circuit
- ◇Product name     Audio interface LSI
- ◇Type                BU76310AGU
- ◇Applications     DVC, DSC, etc
- ◇Functions         <Audio part>
  - Stereo 16 bit  $\Delta \Sigma$  CODEC
  - 2-input stereo selector
  - Stereo microphone amplifier with ALC function
  - Stereo line amplifier
  - BTL output speaker amplifier (400mW@8 $\Omega$ , THD+N=10%, VDD=3.3V)
  - 64-step electronic volume with ALC function
  - PLL built-in (Reference clock: 12MHz, 24MHz, 27MHz, 16fs, 32fs, 64fs)
  - <PLL mode>         8kHz, 11.025 kHz, 12 kHz, 16 kHz  
                           22.05 kHz, 24kHz, 32kHz, 44.1kHz, 48 kHz
  - <non-PLL mode>    8kHz ~ 48kHz
  - Master clock output
- Three-line serial interface (power on reset function)
- Audio IF format   MSB First, 2's compliment
- <ADC>   16bit word lengths Left justified, I<sup>2</sup>S DSP
- <DAC>   16bit word lengths Left, Right justified, I<sup>2</sup>S DSP

◇Absolute maximum ratings (Ta=25°C)

Parameter	Symbol	Limits	Unit	Comment
Supply voltage	VDD	-0.3~4.5	V	AVDD、DVDD、SPVDD
Input voltage	VIN	-0.3~supply voltage +0.3	V	keep each limits upon
Storage temperature range	TSTG	-50~125	°C	
Operating temperature range	TOPE	-20~85	°C	
Power dissipation *1	PD	920*1	mW	

\* 1 : In the case of use at Ta=25°C or more, 9.2mW should be reduced per 1°C.

Radiation resistance design is not arranged.

◇Operating conditions (Ta=25°C)

Parameter	Symbol	Limits	Unit	Comment
Supply voltage	VDD	2.7~3.6	V	AVDD、DVDD、SPVDD

(note) AVDD、DVDD、SPVDD、 are not needed to be same voltage.

(note) Please do not set SPVDD lower than AVDD-0.3V.

(note) Please do not surpass package permissible loss, when SPVDD is set.

◇Electrical characteristics

(Unless specified, Ta=25°C, AVDD=SPVDD=DVDD= 3.3V, AVSS=SPVSS=DVSS= 0V, B.W.=22Hz~22kHz, fs=48kHz, fin=1kHz)

Parameter	Symbol	Limits			Unit	Condition
		MIN.	TYP.	MAX.		
< Current consumption > #MASTER=0 MCLK=24MHz						
Power-down mode	IDDS	-	0.03	0.1	mA	#PWAP=0
Rec mode/PLL mode	IDDR	-	10.3	19	mA	#MDREC=MDPLL=1
Play mode/PLL mode	IDDP	-	8.4	16	mA	#MDPB=MDSP=MDPLL=1
<MREG>						
output voltage	VOREG	0.75AVDD-0.2	0.75AVDD	0.75AVDD+0.2	V	2.2kΩ load
< Logic interface >						
L input voltage	VIL	DVSS	-	0.3DVDD	V	
H input voltage	VIH	0.7DVDD	-	DVDD	V	
L Input current	IIL	-	-	10	μA	
H Input current	IiH	-	-	10	μA	
L output voltage	VOL	0	-	0.5	V	IOL=-1mA
H output voltage	VOH	DVDD-0.5	-	DVDD	V	IOL=1mA
<REC path (MICIN→ADOUT)> #ALC1=OFF, MGAIN=42dB, MLIM=-37.5dB, DVOL=-4.5dB						
Distortion	THD+N	62	72	-	dB	DOUT=-10dBFS@1kHz
SNR	SNR	78	88	-	dB	B.W.=JIS-A
<REC path (MICIN→ADOUT)> #ALC1=OFF, MGAIN=48dB						
Input impedance	ZIN	70	100	130	kΩ	
Input level	VIN	-52	-50	-48	dBV	DOUT=0dBFS
L/R gain mismatch	ΔGV	-1.0	0	+1.0	dB	DOUT=0dBFS
Distortion	THD+N	43	58	-	dB	DOUT=-6dBFS@1kHz
SNR	SNR	60	66	-	dB	B.W.=JIS-A
L/R separation	SEPR	58	83	-	dB	DOUT=-6dBFS@1kHz
ALC1 output level	DOALC	-	-7.3	-	dBFS	ALC1=ON
<PB path1 (DAIN→LINEOUT)> #LGAIN=+5dB						
Output level	VO	-5.5	-4.0	-2.5	dBV	DIN=-6dBFS
L/R gain mismatch	ΔGV	-1.0	0	+1.0	dB	DIN=-6dBFS
Distortion	THD+N	70	80	-	dB	DIN=-6dBFS@1kHz
SNR	SNR	82	90	-	dB	B.W.=JIS-A
L/R separation	SEPR	80	100	-	dB	DIN=-6dBFS@1kHz
<PB path2 (DAIN→EVROUT→SPIN→SPOUT BTL output)> #ALC2=OFF, EVR=-6dB, RL=8Ω						
Output level	VO	1.0	3.0	5.0	dBV	DIN=0dBFS
Distortion	THD+N	50	60	-	dB	DIN=0dBFS@1kHz
SNR	SNR	76	83	-	dB	B.W.=JIS-A
ALC2 output level	VOALC	1.0	3.0	5.0	dBV	ALC2=ON, EVR=8dB
<PB path3 (BEEPIN→SPOUT BTL output)> #BVOL=13.5dB, RL=8Ω						
Output level	GV	11.5	13.5	15.5	dB	
Input impedance	ZIN	25	41	60	dB	

(note) Input level of REC is relative to AVDD.

(note) Output level of PB is relative to AVDD.

(note) Input impedance of BEEPIN is changed to 20kΩ ~ 163kΩ by BVOL.

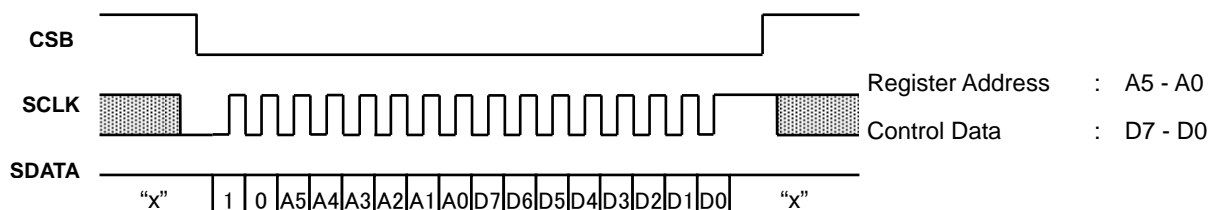
(note) Output level 3.0dBV of SPPOS/SPNEG is about 250mW at RL=8Ω.

◇Serial interface

Control commands are entered on the SEN, SCLK, and SDATA pins, using 3 line 16 bit serial input (MSB first).

The input cycle is started on the CSB falling edge, and each bit of data is read in on the SCLK rising edge.

The data is loaded to register on the CSB rising edge.



◇Register map

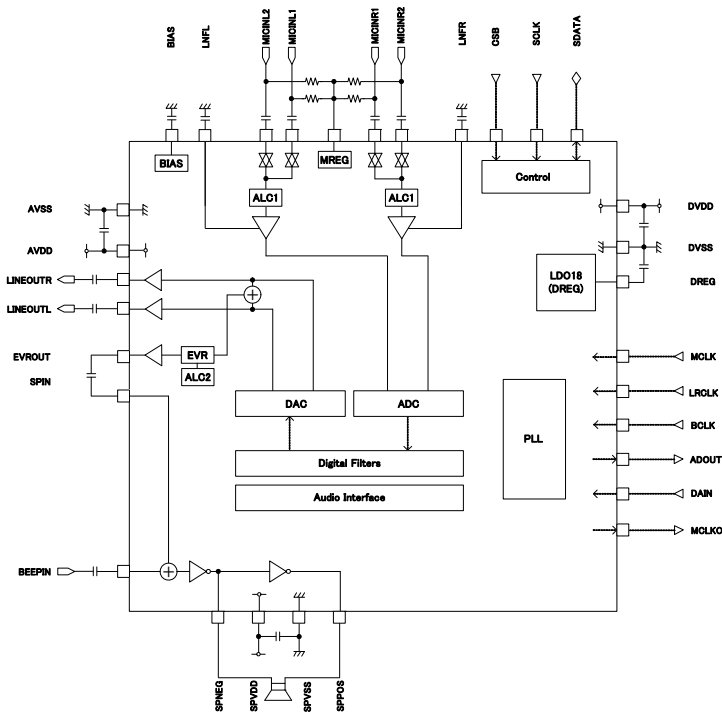
Address	Register	D7	D6	D5	D4	D3	D2	D1	D0
00H	Power control	0	PWSV	PWAP	PWMRG	0	0	0	PWDRG
01H	Power control	0	COMENB	0	0	MDSP	MDPB	MDREC	MDPLL
03H	Gain control	0	0	ADA	0	0	LGAIN	MGAIN1	MGAIN0
04H	Gain control	SLMIN1	SLMIN0	0	0	MUSP	MUBSP	MULO	MUDVL
05H	Clock control	FMCK1	FMCK0	FBCK1	FBCK0	0	DIF2	DIF1	DIF0
06H	Clock control	0	FRCK2	FRCK1	FRCK0	SFS1	SFS0	DIV1	DIV0
07H	Clock control	MASTER	BFPD	0	DLEN	0	MCKO	0	0
08H	ALC control	0	MDALC1	MDEVR1	MDEVR0	0	0	0	MDDVL
09H	ALC control	ATMC1	ATMC0	RCMC1	RCMC0	ATSP1	ATSP0	RCSP1	RCSP0
0AH	ALC control	RC2MC1	RC2MC0	CVRG1	CVRG0	RCLM	0	0	0
0BH	Time control	RINI2	RINI1	RINIO	PINI1	PINIO	0	DVLT	EVRT
0CH	Volume control	0	MLIM6	MLIM5	MLIM4	MLIM3	MLIM2	MLIM1	MLIM0
0DH	Filter control	0	0	DEM1	DEM0	HPFR3	HPFR2	HPFR1	HPFR0
0EH	Volume control	DVOL7	DVOL6	DVOL5	DVOL4	DVOL3	DVOL2	DVOL1	DVOL0
0FH	Volume control	0	0	EVR5	EVR4	EVR3	EVR2	EVR1	EVR0
10H	Volume control	0	0	SPVOL1	SPVOL0	0	BVOL2	BVOL1	BVOL0
12H	Fade control	0	0	0	0	DVLSK	DVLT2	DVLT1	DVLT0
13H	ALC control	0	0	0	0	0	ATTO	0	0
17H	Filter control	DFMRP	OLDFM	0	DFMEN4	DFMEN3	DFMEN2	DFMEN1	DFMEN0
18H	Filter control	DF0M1	DF0M0	DF0A13	DF0A12	DF0A11	DF0A10	DF0A9	DF0A8
19H	Filter control	DF0A7	DF0A6	DF0A5	DF0A4	DF0A3	DF0A2	DF0A1	DF0A0
1AH	Filter control	0	0	DF0B13	DF0B12	DF0B11	DF0B10	DF0B9	DF0B8
1BH	Filter control	DF0B7	DF0B6	DF0B5	DF0B4	DF0B3	DF0B2	DF0B1	DF0B0
1CH	Filter control	DF1M1	DF1M0	DF1A13	DF1A12	DF1A11	DF1A10	DF1A9	DF1A8
1DH	Filter control	DF1A7	DF1A6	DF1A5	DF1A4	DF1A3	DF1A2	DF1A1	DF1A0
1EH	Filter control	0	0	DF1B13	DF1B12	DF1B11	DF1B10	DF1B9	DF1B8
1FH	Filter control	DF1B7	DF1B6	DF1B5	DF1B4	DF1B3	DF1B2	DF1B1	DF1B0
20H	Filter control	DF2M1	DF2M0	DF2A13	DF2A12	DF2A11	DF2A10	DF2A9	DF2A8
21H	Filter control	DF2A7	DF2A6	DF2A5	DF2A4	DF2A3	DF2A2	DF2A1	DF2A0
22H	Filter control	0	0	DF2B13	DF2B12	DF2B11	DF2B10	DF2B9	DF2B8
23H	Filter control	DF2B7	DF2B6	DF2B5	DF2B4	DF2B3	DF2B2	DF2B1	DF2B0
24H	Filter control	DF3M1	DF3M0	DF3A13	DF3A12	DF3A11	DF3A10	DF3A9	DF3A8
25H	Filter control	DF3A7	DF3A6	DF3A5	DF3A4	DF3A3	DF3A2	DF3A1	DF3A0
26H	Filter control	0	0	DF3B13	DF3B12	DF3B11	DF3B10	DF3B9	DF3B8
27H	Filter control	DF3B7	DF3B6	DF3B5	DF3B4	DF3B3	DF3B2	DF3B1	DF3B0
28H	Filter control	DF4M1	DF4M0	DF4A13	DF4A12	DF4A11	DF4A10	DF4A9	DF4A8
29H	Filter control	DF4A7	DF4A6	DF4A5	DF4A4	DF4A3	DF4A2	DF4A1	DF4A0
2AH	Filter control	0	0	DF4B13	DF4B12	DF4B11	DF4B10	DF4B9	DF4B8
2BH	Filter control	DF4B7	DF4B6	DF4B5	DF4B4	DF4B3	DF4B2	DF4B1	DF4B0

(note) Do not write to the address except for the above.

◇Pin Functional Descriptions

No	Pin name	Function	No	Pin name	Function
C6	LNFR	NF input for MIC Rch	E5	SPVDD	SP power supply
D4	MICINR2	MIC Rch input2	F5	SPPOS	SP positive output
D3	MICINR1	MIC Rch input1	E4	BEEPIN	BEEP input
E2	MREG	MIC power supply	B2	MCLKO	CODEC master clock input
E1	MICINL1	MIC Lch input1	B6	DREG	LDO18 output (1.8V)
D5	MICINL2	MIC Lch input2	B1	DVDD	Digital power supply
D2	LNFL	NF input for MIC Lch	A5	DAIN	CODEC DA serial data input
D1	BIAS	Bias (1/2AVDD)	A2	ADOUT	CODEC AD serial data output
C1,F1	AVSS	Analog ground	A3	BCLK	CODEC bit clock in/output
F2	AVDD	Analog power supply	B3	LRCLK	CODEC LR clock in/output
C5	LINEOUTR	LINE Rch output	A4	MCLK	CODEC master clock output
F3	LINEOUTL	LINE Lch output	C2,A1,A6	DVSS	Digital ground
F4	EVROUT	EVR output	B5	SDATA	3-wire serial data input
E3	SPIN	SP input	B4	SCLK	3-wire serial clock input
D6	SPNEG	SP negative output	C4	CSB	3-wire serial chip select input
E6,F6	SPVSS	SP ground	-	-	-

◇Block diagram・External dimensions



(Note) Place the capacitors for AVDD, BIAS pins close to each

Figure1 Block diagram

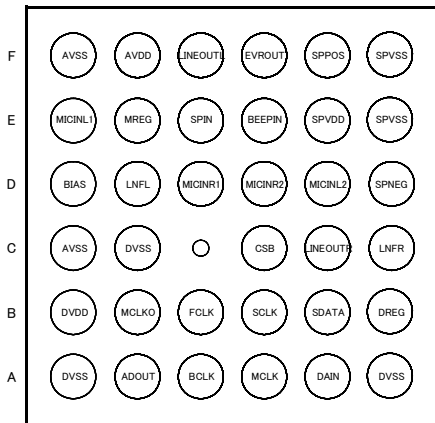


Figure2 Pin assign (bottom face)

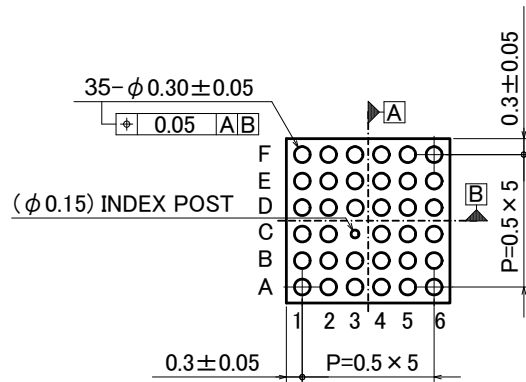
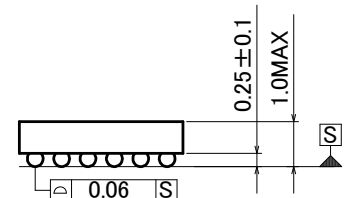
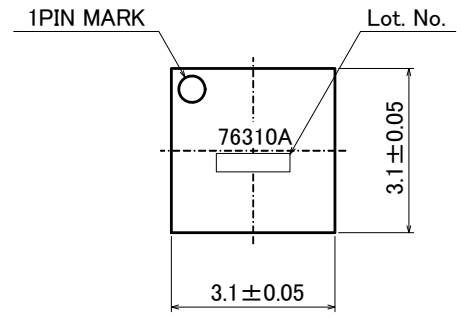


Figure3 External dimension (Unit: mm)

◇Caution

- (1) About absolute maximum rating  
When the absolute maximum rating such as the applied voltage and the ranges of the operating temperature is exceeded, LSI might be destroyed. Please apply neither voltage nor the temperature that exceeds the absolute maximum rating. Please execute physical measures for safety such as fuse when it is thought to exceed the absolute maximum rating, and examine it so that the condition to exceed the absolute maximum rating is not applied to LSI.
- (2) About GND Voltage  
In any state of operation must be the lowest voltage about the voltage of the terminal GND. Please actually confirm the voltage of each terminal is not a voltage that is lower than the terminal GND including excessive phenomenon.
- (3) About design of overheating malfunction preventive circuit  
Please design overheating malfunction preventive circuit with an enough margin in consideration of a permissible loss in the state of using actually.
- (4) About the short between terminals and the mounting by mistake  
Please note the direction and the gap of position of LSI enough about LSI when you mount on the substrate. LSI might be destroyed when mounting by mistake and energizing. Moreover, LSI might be destroyed when short-circuited by entering of the foreign substances between the terminal and GND, between terminals, between the terminal and the power supply of LSI.
- (5) About operation in strong electromagnetic field  
Use in strong electromagnetic field has the possibility of malfunctioning and evaluate it enough, please.
- (6) Please note not to be beyond the package permissible range. When SPVDD is set.
- (7) No guarantee connection for A1, A6, F1 and F6. Please connect another pin of same name, too.
- (8) About operation in strong light  
Use in strong light has the possibility of malfunctioning. Please shield from the light, if needed.

## Notes

No copying or reproduction of this document, in part or in whole, is permitted without the consent of ROHM Co.,Ltd.

The content specified herein is subject to change for improvement without notice.

The content specified herein is for the purpose of introducing ROHM's products (hereinafter "Products"). If you wish to use any such Product, please be sure to refer to the specifications, which can be obtained from ROHM upon request.

Examples of application circuits, circuit constants and any other information contained herein illustrate the standard usage and operations of the Products. The peripheral conditions must be taken into account when designing circuits for mass production.

Great care was taken in ensuring the accuracy of the information specified in this document. However, should you incur any damage arising from any inaccuracy or misprint of such information, ROHM shall bear no responsibility for such damage.

The technical information specified herein is intended only to show the typical functions of and examples of application circuits for the Products. ROHM does not grant you, explicitly or implicitly, any license to use or exercise intellectual property or other rights held by ROHM and other parties. ROHM shall bear no responsibility whatsoever for any dispute arising from the use of such technical information.

The Products specified in this document are intended to be used with general-use electronic equipment or devices (such as audio visual equipment, office-automation equipment, communication devices, electronic appliances and amusement devices).

The Products specified in this document are not designed to be radiation tolerant.

While ROHM always makes efforts to enhance the quality and reliability of its Products, a Product may fail or malfunction for a variety of reasons.

Please be sure to implement in your equipment using the Products safety measures to guard against the possibility of physical injury, fire or any other damage caused in the event of the failure of any Product, such as derating, redundancy, fire control and fail-safe designs. ROHM shall bear no responsibility whatsoever for your use of any Product outside of the prescribed scope or not in accordance with the instruction manual.

The Products are not designed or manufactured to be used with any equipment, device or system which requires an extremely high level of reliability the failure or malfunction of which may result in a direct threat to human life or create a risk of human injury (such as a medical instrument, transportation equipment, aerospace machinery, nuclear-reactor controller, fuel-controller or other safety device). ROHM shall bear no responsibility in any way for use of any of the Products for the above special purposes. If a Product is intended to be used for any such special purpose, please contact a ROHM sales representative before purchasing.

If you intend to export or ship overseas any Product or technology specified herein that may be controlled under the Foreign Exchange and the Foreign Trade Law, you will be required to obtain a license or permit under the Law.



Thank you for your accessing to ROHM product informations.  
More detail product informations and catalogs are available, please contact us.

## ROHM Customer Support System

<http://www.rohm.com/contact/>