

# 18-Bit Switchable Active SCSI-2 Bus Terminator (110Ω)

## With Voltage Regulator

The MCCS142236™ is a precision 18-bit switchable active SCSI-2 bus terminator with an on-board 2.85V regulator. When the Disconnect pin is LOW according to the truth table below, the MCCS142236 provides 110Ω ±5% precision resistor pull-ups to a 2.85V reference for termination of 18-bits in a SCSI-2 standard bus system interface.

When the Disconnect pin is HIGH, the device outputs are in the high impedance state on all 18 bits. The regulator is also turned off, greatly reducing standby power. Even with no Termpwr applied, the outputs remain in the high impedance state.

- Complies With SCSI and SCSI-2 Standards
- Pin Compatible With UC5601, UC5602 and UC5608
- For Opposite Disconnect Polarity See ON Semiconductor's MCCS142238
- 18 Switchable 110Ω Terminating Resistors
- 4pF Channel Capacitance During Disconnect
- Fully Supports Active Negation (Sinks Minimum of 220mA)
- Built-In 2.85V Regulator With Low Dropout Voltage
- Very Low Supply Current When Resistors Are Disabled (30μA Max)
- -650mA Source Current
- Thermal Shutdown Protection
- Thin Profile Surface Mount Package: 28-Lead SOIC

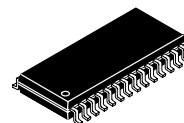
The regulator has a guaranteed dropout voltage of less than 900mV, allowing regulation of supply voltages less than 4.0V. The MCCS142236 is protected by thermal shutdown. Other features include low disconnect current (30μA), over 220mA of active negation current sink capability, and 4pF disconnect capacitance.

In 8-bit SCSI applications ("A" cable), only one MCCS142236 is needed at each end of the SCSI cable in order to terminate the 18 active signal lines. In 16-bit WIDE SCSI applications ("P" cable), either two MCCS142236s, one each of the MCCS142236 and MCCS142237, or three MCCS142237s would be needed at each end of the SCSI cable in order to properly terminate the 27 active signal lines. The MCCS142237 is a 9-bit version of the MCCS142236.

For information on "Power Dissipation for Active SCSI Terminators," refer to ON Semiconductor Application Note AN1408/D, available through ON Semiconductor Fax System, or through the ON Semiconductor Literature Distribution Center.

## MCCS142236

### 18-BIT SWITCHABLE ACTIVE SCSI-2 BUS TERMINATOR



**DW SUFFIX**  
28-LEAD WIDE SOIC PACKAGE  
CASE 751F-05

**TRUTH TABLE**

Disconnect	Output
0	Terminated
1	Z

# MCCS142236

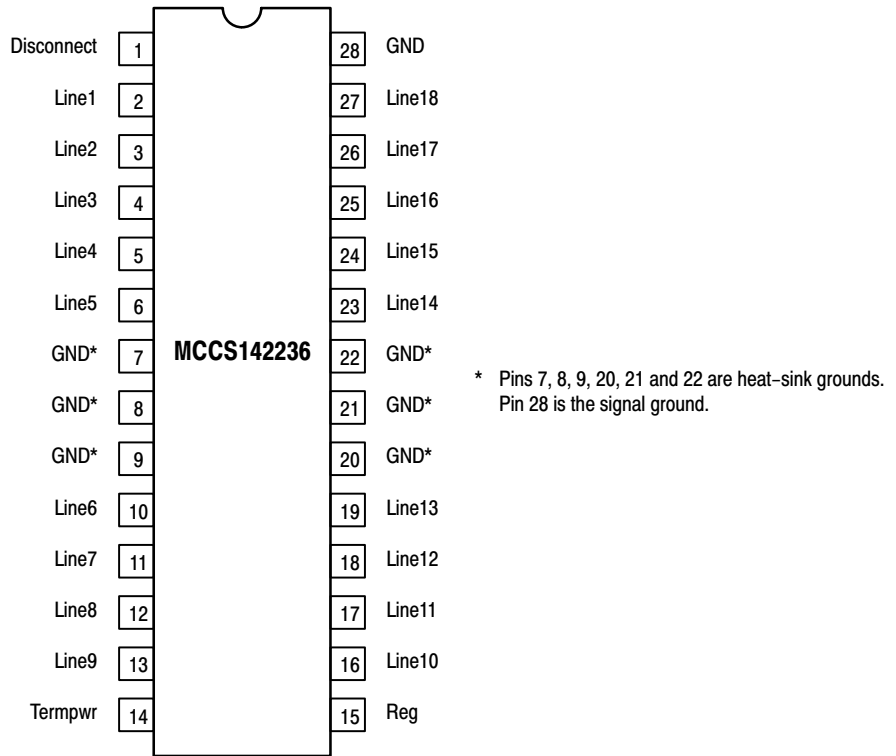


Figure 1. 28-Lead Pinout (Top View)

Disconnect Input Application	Result
<b>A. No Connection to Disconnect</b>	Disconnect input will be pulled “HIGH” internally, causing all outputs to be high impedance.
<b>B. Single Pole Switch to GND</b>	Disconnect input will be pulled “HIGH” internally when the switch is open, causing all outputs to be high impedance. Disconnect input will be held “LOW” when the switch is closed, providing 110Ω impedance to each of the bus lines.
<b>C. Double Pole Switch Between Supply and GND</b>	This is a more expensive way to accomplish application <b>B</b> above. It is more economical to allow the internal pullup to provide the “HIGH” input level. The supply source in this case could be Tempwv or V <sub>CC</sub> .
<b>D. Hardwired “High”</b>	The MCCS142236 will be permanently disconnected causing all outputs to be high impedance.
<b>E. Hardwired “Low”</b>	The MCCS142236 will be permanently connected providing 110Ω impedance to each of the bus lines.

## MAXIMUM RATINGS\*

Symbol	Parameter	Value	Unit
Tempwv	DC Supply Voltage	7.0	V
V <sub>Line</sub>	Signal Line Voltage	-1.0 to +7.0	V
I <sub>REG</sub>	Regulator Current	1	A
t <sub>stg</sub>	Storage Temperature Range	-65 to +150	°C

\* Maximum Ratings are those values beyond which damage to the device may occur. Functional operation should be restricted to the Recommended Operating Conditions.

**RECOMMENDED OPERATING CONDITIONS**

Symbol	Parameter	Min	Max	Unit
Tempwv	DC Supply Voltage	3.8	5.25	V
V <sub>in</sub>	DC Input Voltage (Disconnect Pin)	0	Tempwv	V
V <sub>Line</sub>	Signal Line Voltage	0	5.0	V
T <sub>A</sub>	Operating Temperature Range	0	+70	°C
t <sub>r</sub> , t <sub>f</sub>	Input Rise/Fall Time	0	500	ns

**ELECTRICAL CHARACTERISTICS** (Unless otherwise stated, these specifications apply for T<sub>A</sub> = 0° to 70°C, Tempwv = 4.75V, Disconnect = Ground)

Symbol	Characteristic	Min	Typ	Max	Unit	Condition
--------	----------------	-----	-----	-----	------	-----------

**Supply Current Section**

I <sub>Tempwv</sub>	Tempwv Supply Current		15 410	27 465	mA	All Termination Lines = Open All Termination Lines = 0.5V
I <sub>pd</sub>	Power Down Mode Current		10	30	μA	Disconnect = Open

**Output Section (Termination Lines)**

R <sub>110</sub>	Termination Impedance	104.5	110.0	115.5	Ω	
V <sub>OH</sub>	Output HIGH Voltage	2.8	2.85	3.0	V	Note 1.
I <sub>source</sub>	Source Current Capability per Line	-19.9		-24	mA	Signal Line = 0.5V
I <sub>OZ</sub>	Output Leakage Current Signal Lines = 0 to 5.25V			1	μA	Tempwv = 5.25V, Reg = Open, Disconnect = 4V
C <sub>O</sub>	Output Capacitance (Note 2.)		4.0	5.0	pF	Disconnect = Open

**Regulator Section**

V <sub>Reg</sub>	Regulator Voltage	2.8	2.85	3.0	V	Signal Lines = 0V or 4V
Line <sub>reg</sub>	Line Regulation		27	40	mV	Signal Lines Open, Tempwv = 4V to 6V
Load <sub>reg</sub>	Load Regulation		35	60	mV	Signal Lines = 0V to 3V
V <sub>DO</sub>	Drop Out Voltage		0.7	0.9	V	Signal Lines = 0.5V
I <sub>Lim</sub>	Current Limit	-450	-650	-850	mA	Reg = 0V
I <sub>sink</sub>	Current Sink Capability	220	350	400	mA	Reg = 3.5V
T <sub>shut</sub>	Thermal Shutdown		150		°C	

**Disconnect Section**

D <sub>TH</sub>	Disconnect Threshold (Note 2.)	1.1	1.3	1.7	V	
I <sub>IL</sub>	Input Leakage Current		100	120	μA	Disconnect = 0V

1. Measured with one output high and all other signal lines open.
2. Not production tested, guaranteed by design.

**AC CHARACTERISTICS** (Note 3., Reg = 2.85, C<sub>L</sub> = 2.2μF, t<sub>r</sub> = t<sub>f</sub> = 6ns)

Symbol	Parameters	0°C to + 70°C	Unit
t <sub>(connect)</sub>	Max Connect Time, High Impedance to Termination, Disconnect to Outputs	100	μs
t <sub>(disconnect)</sub>	Max Disconnect Time, Termination to High Impedance, Disconnect to Outputs	20	μs

3. Not production tested, guaranteed by design.

# MCCS142236

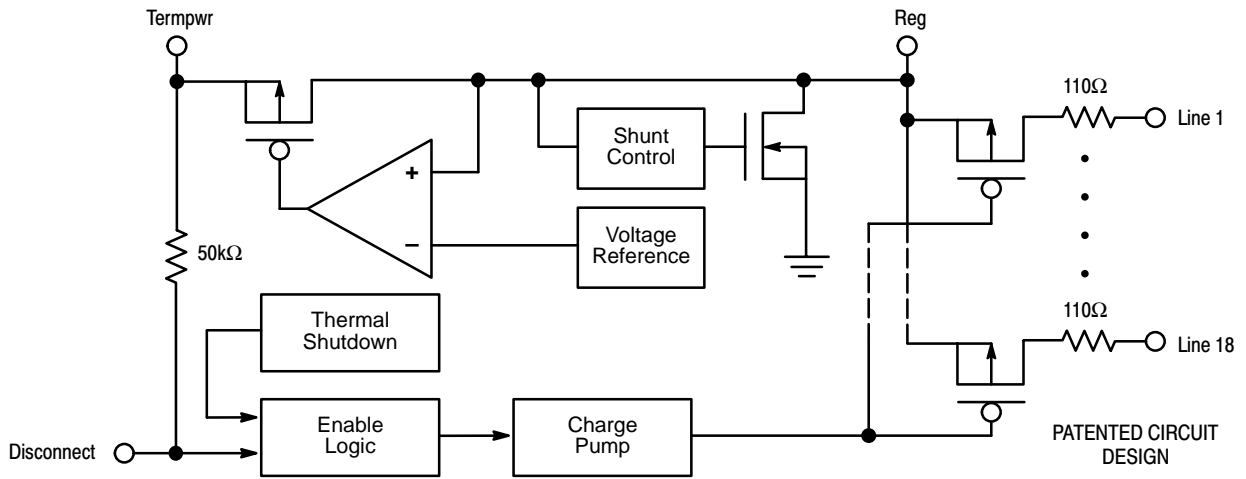


Figure 2. MCCS142236 Block Diagram

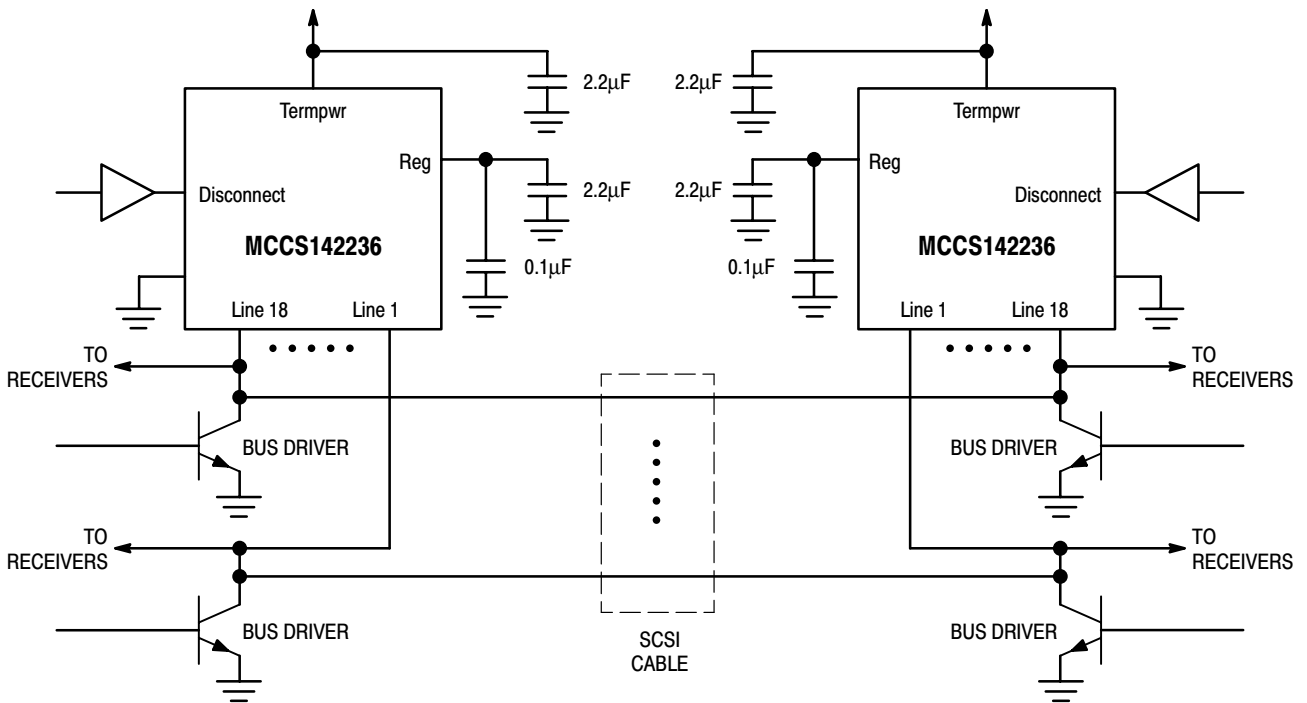


Figure 3. Typical SCSI Bus Configuration Using the MCCS142236

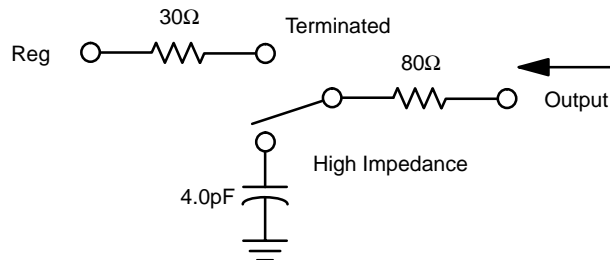
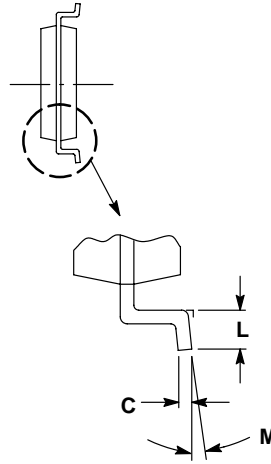
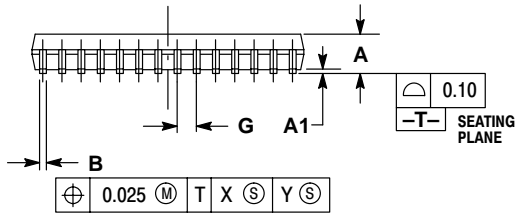
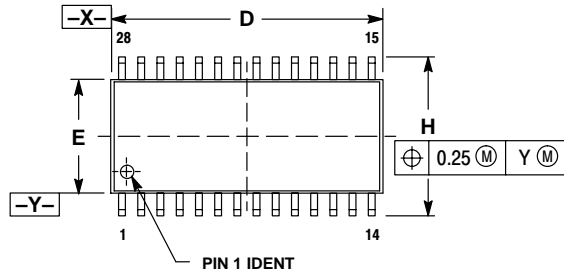


Figure 4. Output Impedance Model

# MCCS142236

## PACKAGE DIMENSIONS

DW SUFFIX  
 PLASTIC SOIC PACKAGE  
 CASE 751F-05  
 ISSUE G



NOTES:

1. DIMENSIONING AND TOLERANCING PER ANSI Y14.5M, 1982.
2. CONTROLLING DIMENSION: MILLIMETER.
3. DIMENSIONS D AND E DO NOT INCLUDE MOLD PROTRUSION
4. MAXIMUM MOLD PROTRUSION 0.15 PER SIDE.
5. DIMENSION B DOES NOT INCLUDE DAMBAR PROTRUSION. ALLOWABLE DAMBAR PROTRUSION SHALL NOT BE 0.13 TOTAL IN EXCESS OF B DIMENSION AT MAXIMUM MATERIAL CONDITION.

DIM	MILLIMETERS	
	MIN	MAX
A	2.35	2.65
A1	0.13	0.29
B	0.35	0.49
C	0.23	0.32
D	17.80	18.05
E	7.40	7.60
G	1.27 BSC	
H	10.05	10.55
L	0.41	0.90
M	0°	8°

# Notes

**Notes**

**ON Semiconductor** and  are trademarks of Semiconductor Components Industries, LLC (SCILLC). SCILLC reserves the right to make changes without further notice to any products herein. SCILLC makes no warranty, representation or guarantee regarding the suitability of its products for any particular purpose, nor does SCILLC assume any liability arising out of the application or use of any product or circuit, and specifically disclaims any and all liability, including without limitation special, consequential or incidental damages. "Typical" parameters which may be provided in SCILLC data sheets and/or specifications can and do vary in different applications and actual performance may vary over time. All operating parameters, including "Typicals" must be validated for each customer application by customer's technical experts. SCILLC does not convey any license under its patent rights nor the rights of others. SCILLC products are not designed, intended, or authorized for use as components in systems intended for surgical implant into the body, or other applications intended to support or sustain life, or for any other application in which the failure of the SCILLC product could create a situation where personal injury or death may occur. Should Buyer purchase or use SCILLC products for any such unintended or unauthorized application, Buyer shall indemnify and hold SCILLC and its officers, employees, subsidiaries, affiliates, and distributors harmless against all claims, costs, damages, and expenses, and reasonable attorney fees arising out of, directly or indirectly, any claim of personal injury or death associated with such unintended or unauthorized use, even if such claim alleges that SCILLC was negligent regarding the design or manufacture of the part. SCILLC is an Equal Opportunity/Affirmative Action Employer.

## PUBLICATION ORDERING INFORMATION

### Literature Fulfillment:

Literature Distribution Center for ON Semiconductor  
P.O. Box 5163, Denver, Colorado 80217 USA  
**Phone:** 303-675-2175 or 800-344-3860 Toll Free USA/Canada  
**Fax:** 303-675-2176 or 800-344-3867 Toll Free USA/Canada  
**Email:** ONlit@hibbertco.com

**N. American Technical Support:** 800-282-9855 Toll Free USA/Canada

**JAPAN:** ON Semiconductor, Japan Customer Focus Center  
4-32-1 Nishi-Gotanda, Shinagawa-ku, Tokyo, Japan 141-0031  
**Phone:** 81-3-5740-2700  
**Email:** r14525@onsemi.com

**ON Semiconductor Website:** <http://onsemi.com>

For additional information, please contact your local Sales Representative.