

● **Product Picture/产品外观图片**



● **Features/产品特性描述**

1. Emitted Color/发光颜色: Pure White/正白、Warm White/暖白
2. Lens Appearance/发光体种类: Water Clear/透明
3. Material of crust /外壳材质: Aluminum hull /铝质外壳
4. CE Approved /产品安全规范符合 CE 标准
5. RoHS Compliant /产品符合 RoHS 法规
6. Base Type /接口类型: GU10
7. Choices of luminous intensities for indoor application/选择的发光强度适合于室内照明
8. The useful lifetime of the product is more than 30000 hours/该产品使用寿命超过 30000 小时

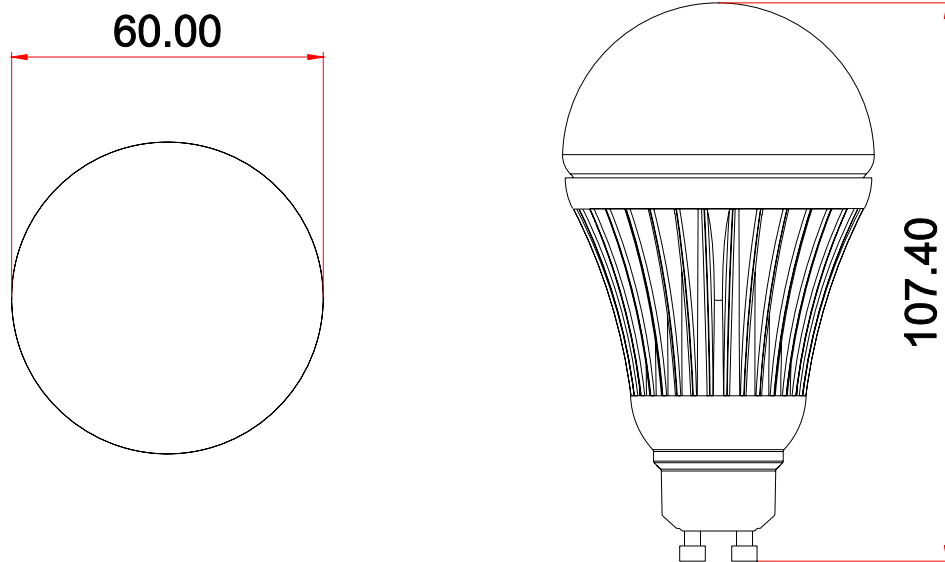
● **Absolute Maximum Ratings /产品的极限使用条件**

Parameter /项目	Symbol /代码	Rating /范围			Unit
		Min./最小值	Typ./标准值	Max./最大值	
Input Voltage AC/输入电压	V _{in}	200	230	245	V
AC Frequency /电压频率	F	47	50	63	Hz
Input Current AC/输入电流	I(rms)	0.05	0.07	0.10	A
Operating Tem./工作温度	T _a	-25	25	50	°C
Operating Hum./相对湿度	H _a	5%-95%(No Water/不结露)			-
Storage Tem./存储温度	T _s	-35~60			°C

● **Electrical and optical characteristics (Ta=25°C) /产品的电气及光电参数**

Parameter /项目	Condition/条件	Symbol /代码	Min. /最小值	Typ./标准值	Max./最大值	Unit
Power Dissipation /功率	V _{in} =230V~,50Hz	P _d	5	6	8	W
Luminous Flux /光通量	V _{in} =230V~,50Hz	IV(P)	380	400	-	Lm
		IV(W)	350	380	-	Lm
Color Temperature /色温	V _{in} =230V~,50Hz	C.T.(P1)	4000	4200	4500	K
		C.T.(P2)	5600	6000	6200	K
		C.T.(W1)	2700	3000	3200	K
		C.T.(W2)	3600	3800	3900	K
Viewing Angle /发光角度	V _{in} =230V~,50Hz	θ	-	150	-	Deg

● Package Dimensions /产品尺寸图



BASE: GU10

Notes /备注:

1. All dimensions are in millimeters. /所有的尺寸单位为 mm.
2. Tolerance is ± 0.1 mm unless otherwise specified. /默认的尺寸公差为 ± 0.1 mm.
3. Specifications are subject to change without notice. /产品外形若有变更，恕不特别通知.