

**PLEASE CHECK WWW.MOLEX.COM FOR LATEST PART INFORMATION**

**Part Number:** [0050361893](#)  
**Status:** **Active**  
**Overview:** [minifit\\_jr](#)  
**Description:** 4.20mm (.165") Pitch Mini-Fit Jr.™ Plug Housing, Single Row, with Panel Mount Ears, with Positive Ramp, PA Polyamide Nylon 6/6, UL 94V-0, 3 Circuits, Glow Wire Compatible

**Documents:**

[3D Model](#) [Product Specification PS-5556-001 \(PDF\)](#)  
[Drawing \(PDF\)](#) [RoHS Certificate of Compliance \(PDF\)](#)

**Agency Certification**

CSA	LR19980
TUV	R72081037
UL	E29179

**General**

Product Family	Crimp Housings
Series	<a href="#">5559</a>
Comments	Current = 13A max. per circuit when header is mated to a receptacle loaded with <a href="#">45750</a> series terminals crimped to 16 AWG wire. . See Molex product specification PS-45750-001 for additional current de-rating information.
Overview	<a href="#">minifit_jr</a>
Product Name	Mini-Fit Jr.™

**Physical**

Circuits (maximum)	3
Color - Resin	Black
Flammability	94V-0
Gender	Plug
Glow-Wire Compliant	Yes
Keying to Mating Part	None
Lock to Mating Part	Yes
Material - Resin	Nylon
Number of Rows	1
Packaging Type	Bag
Panel Mount	Yes
Pitch - Mating Interface (in)	0.165 In
Pitch - Mating Interface (mm)	4.20 mm
Pitch - Term. Interface (in)	0.165 In
Pitch - Term. Interface (mm)	4.20 mm
Polarized to Mating Part	Yes
Stackable	No
Temperature Range - Operating	-40°C to +105°C

**Electrical**

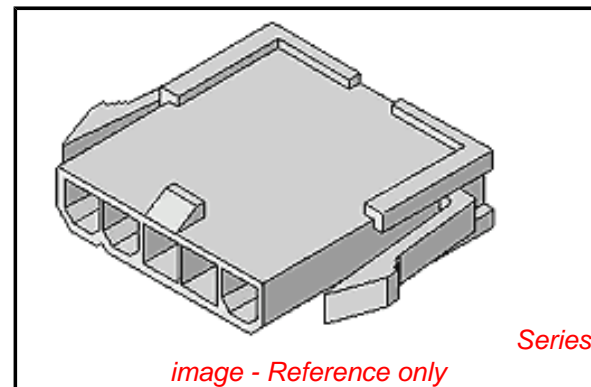
Current - Maximum per Contact	13A
-------------------------------	-----

**Material Info**

Old Part Number	5559-03P2-225
-----------------	---------------

**Reference - Drawing Numbers**

Packaging Specification	PK-5557-003, PK-5559-003
Product Specification	PS-5556-001
Sales Drawing	SD-5559-225



**EU RoHS**

**ELV and RoHS Compliant**  
**REACH SVHC**  
**Contains SVHC: No**  
**Halogen-Free Status**

**China RoHS**



**Halogen-Free**

**Need more information on product environmental compliance?**

Email [productcompliance@molex.com](mailto:productcompliance@molex.com)  
 For a multiple part number RoHS Certificate of Compliance, [click here](#)

Please visit the [Contact Us](#) section for any non-product compliance questions.

**Search Parts in this Series**

[5559Series](#)

**Mates With**

[5557](#) Receptacle Housing

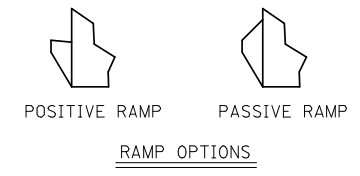
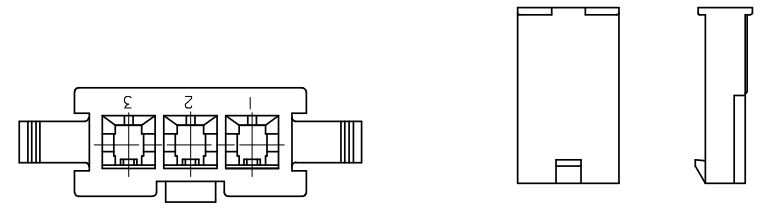
**Use With**

[5558](#) Male Terminal

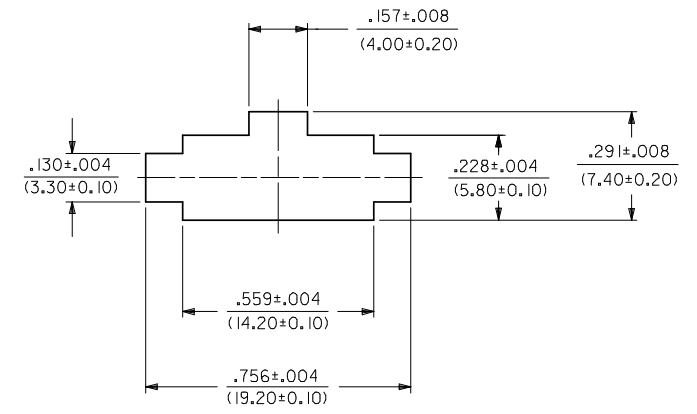
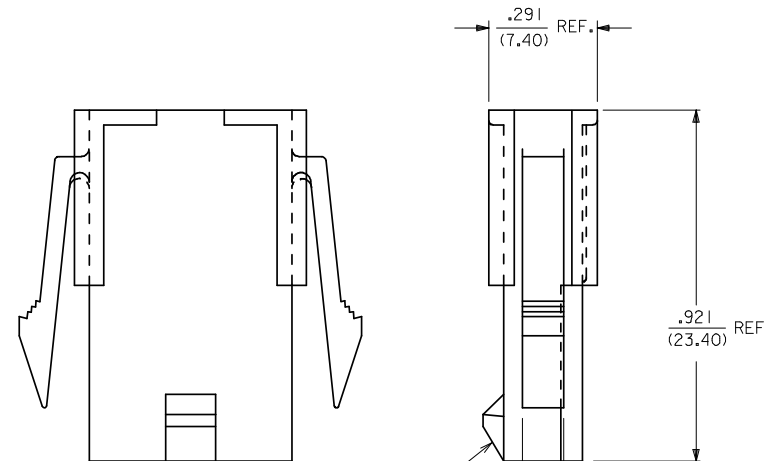
This document was generated on 05/19/2010

**PLEASE CHECK [WWW.MOLEX.COM](http://WWW.MOLEX.COM) FOR LATEST PART INFORMATION**

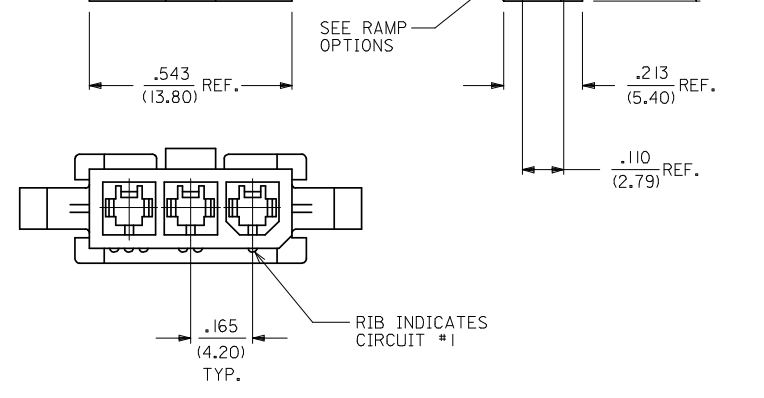
PART NO.	ENG. NO.	CKT. NO.	MOUNT OPTION	MAT'L.	RAMP OPTION
50-29-1663	5559-03P3-225	3	3	225	POSITIVE
50-36-1893	5559-03P2-225	3	2	225	POSITIVE



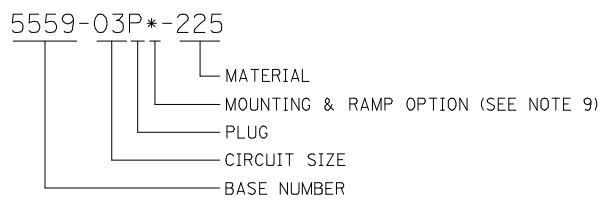
5559-03P3-\*\*\*\*  
WITHOUT MOUNTING EARS



RECOMMENDED PANEL CUT-OUT  
(SEE NOTES 7 & 8)



LEGEND



- NOTES:
- MATERIAL:  
\*225\* = NYLON 6, UL94V-0, IEC 60335-1, 4TH EDITION GLOW WIRE CAPABLE, COLOR: BLACK.
  - FINISH: NOT APPLICABLE
  - PRODUCT SPECIFICATION: PS-5556-001
  - PACKAGING: BULK
  - THIS PART MATES WITH MOLEX RECEPTACLE #5557-03R2-225.
  - THIS PART IS FOR USE WITH MOLEX MALE TERMINAL NO. 5558-\*
  - PANEL MOUNT VERSION IS FOR USE WITH .031/.079 (0.80/2.00) THICK PANELS.
  - PANEL SHOULD BE PUNCHED IN THE DIRECTION OF CONNECTOR INSERTION.
  - MOUNTING & RAMP OPTION: 2 = WITH EARS, WITH POSITIVE RAMP  
3 = WITHOUT EARS, WITH POSITIVE RAMP  
4 = WITH EARS, WITH PASSIVE RAMP  
5 = WITHOUT EARS, WITH PASSIVE RAMP
  - PART IS DESIGNED IN METRIC.
  - CONNECTORS ARE NOT TO BE MATED OR UNMATED WHILE CIRCUITS ARE LIVE.
  - WIRES ARE TO BE DRESSED IN SUCH A MANNER TO ALLOW THE TERMINALS TO FLOAT FREELY IN THE POCKET.
  - PART CONFORMS TO CLASS 'B' REQUIREMENTS OF COSMETIC SPECIFICATION PS-45499-002 WITH THE EXCEPTION OF DISCOLORATION. FLASH AND SINK MEET CLASS 'C' REQUIREMENTS.

INITIAL RELEASE EC NO: UCP2008-2968 DRWN:SSOUSEK 2008/07/24 CHKD:SSOUSEK 2008/07/24 APPR:FSM1TH 2008/07/24	QUALITY SYMBOLS ▽=0 ▽=0	GENERAL TOLERANCES (UNLESS SPECIFIED)		DIMENSION STYLE IN/MM	SCALE 4:1	DESIGN UNITS METRIC	THIRD ANGLE PROJECTION		
		mm	INCH	DRAWN BY GAVERILL	DATE 2008/07/23	TITLE MINI-FIT JR. SERIES, 3 CKT. PLUG			
A	REV	4 PLACES	±---	±---	CHECKED BY SSOUSEK	DATE 2008/07/23	MATERIAL NO. SEE CHART	DOCUMENT NO. SD-5559-225	SHEET NO. 1 OF 1
		3 PLACES	±---	±.010	APPROVED BY FSM1TH	DATE 2008/07/23			
		2 PLACES	±0.25	±.015	MATERIAL NO. SEE CHART			DOCUMENT NO. SD-5559-225	SHEET NO. 1 OF 1
		1 PLACE	±0.38	±---	MATERIAL NO. SEE CHART			DOCUMENT NO. SD-5559-225	SHEET NO. 1 OF 1
		ANGULAR		±1/2°	THIS DRAWING CONTAINS INFORMATION THAT IS PROPRIETARY TO MOLEX INCORPORATED AND SHOULD NOT BE USED WITHOUT WRITTEN PERMISSION				