

PLEASE CHECK WWW.MOLEX.COM FOR LATEST PART INFORMATION

Part Number: [0039033155](#)
Status: **Active**
Overview: [standard_062](#)
Description: 1.57mm (.062") Diameter Standard .062" Pin and Socket Plug Housing, 15 Circuits, Without Mounting Ears

Documents:

[3D Model](#) [Product Specification PS-1625-010 \(PDF\)](#)
[Drawing \(PDF\)](#) [RoHS Certificate of Compliance \(PDF\)](#)
[Packaging Specification \(PDF\)](#)

Agency Certification

CSA	LR19980
TUV	R72081037
UL	E29179

General

Product Family	Crimp Housings
Series	1625
Comments	Polarized to Mating Part
Overview	standard_062
Product Name	Standard .062"

Physical

Breakaway	No
Circuits (maximum)	15
Circuits Detail	3x5
Color - Resin	Natural
Flammability	94V-2
Gender	Plug
Glow-Wire Compliant	No
Keying to Mating Part	None
Lock to Mating Part	Yes
Material - Resin	Nylon
Number of Rows	3
Packaging Type	Bag
Panel Mount	No
Pitch - Mating Interface (in)	0.145 In
Pitch - Mating Interface (mm)	3.68 mm
Pitch - Term. Interface (in)	0.145 In
Pitch - Term. Interface (mm)	3.96 mm
Polarized to Mating Part	Yes
Stackable	No
Temperature Range - Operating	-40°C to +105°C

Electrical

Current - Maximum per Contact	5A
-------------------------------	----

Material Info

Old Part Number	1625-15P1
-----------------	-----------

Reference - Drawing Numbers

Packaging Specification	SPK-1625-001
Product Specification	PS-1625-010, RPS-1625-001
Sales Drawing	SD-1625-15P*

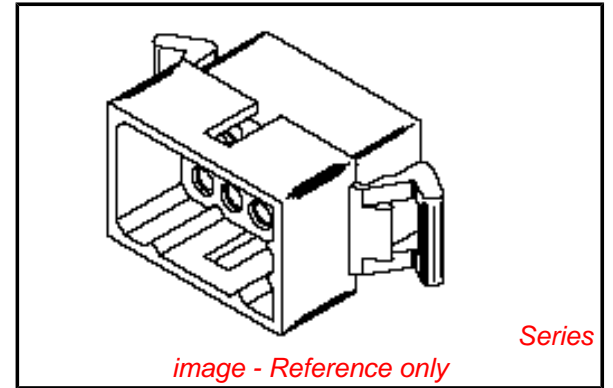


image - Reference only

EU RoHS

ELV and RoHS Compliant
REACH SVHC Contains SVHC: No
Halogen-Free Status

China RoHS



Not Reviewed

Need more information on product environmental compliance?

Email productcompliance@molex.com
 For a multiple part number RoHS Certificate of Compliance, [click here](#)

Please visit the [Contact Us](#) section for any non-product compliance questions.

Search Parts in this Series

[1625Series](#)

Mates With

[1625](#) Receptacle

Use With

Female Crimp Terminals [1561](#)[Link:4559](#), [4529](#), [2190](#), [2189](#), [1787](#), [1855](#). Male Crimp Terminals [1560](#), [1786](#), [1854](#), [1778](#). Male PC Tail Terminals. [1779](#) Female PC Tail Terminals

This document was generated on 06/08/2010

PLEASE CHECK WWW.MOLEX.COM FOR LATEST PART INFORMATION

E

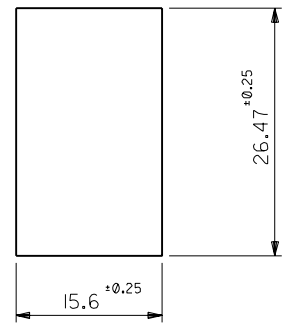
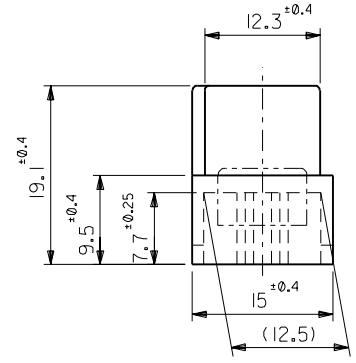
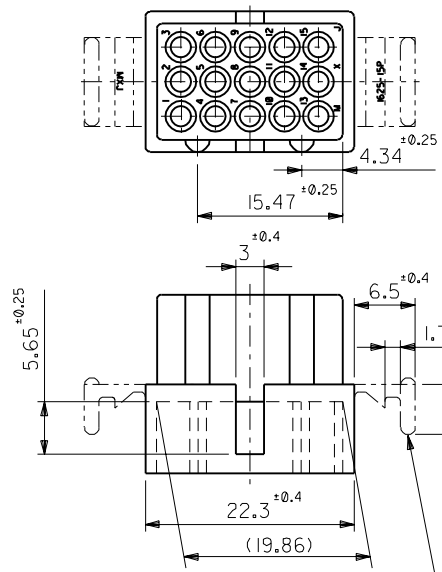
D

C

B

A

MM DIMENSIONS IN METRIC DO NOT SCALE DRAWING

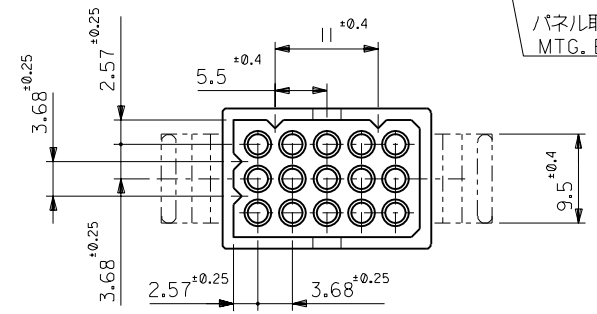


パネル取付穴寸法 (厚さ 1.52 最大)
PANEL HOLE DIMENSION (THK. 1.52 MAX.)

パネル取付耳 (表参照)
MTG. EARS (SEE CHART)

注記
NOTES

- 材質: ZYTEL 101. (ナイロン66, 94V-2)
MATERIAL: ZYTEL 101. (NYLON66, 94V-2)
- () 内寸法は参考値
DIMENSIONS IN () ARE REFERENCE



1625-15P1	39-03-3155	無 WITHOUT
1625-15P	39-03-3154	有 WITH
ENG. NO.	PART NO.	MTG. EARS

材料 MATERIAL	☑中参照 REFER TO DRAWING
仕上げ FINISH	—
適用電線範囲 WIRE RANGE	—
被覆外径 INS. RANGE	—
DRAWN BY '96/07/10 H.IIJJIMA	CHK'D BY '96/07/10 M.FUKUSHIMA
APP'D BY '96/07/10 M.ENOMOTO	尺 度 SCALE 2 : 1
再作図 REDRAWN	再作日付 DATE
変更内容 REVISION RECORD	DR. CHK. DATE
記号 LTR	変更内容 REVISION RECORD

角度 ANGLE	±3°
30 以上 OVER	+0.3
10 以上 30 未満 UNDER	+0.25
10 未満 UNDER	+0.2

MOLEX JAPAN CO., LTD. 日本モレックス株式会社	
REVISE ONLY ON CAD SYSTEM	
TITLE 名称 .062 DIA. 15 CIRCUIT PLUG HOUSING	
DWG. NO. SD-1625-15P*	REV F