

SS-12 Series

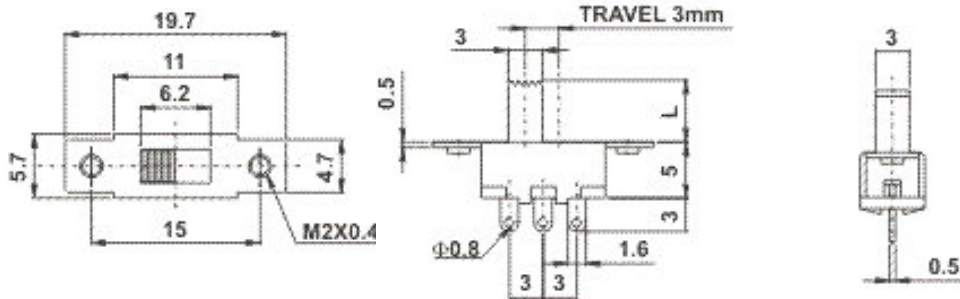
Slide Switch Single Port

■ SPECIFICATIONS

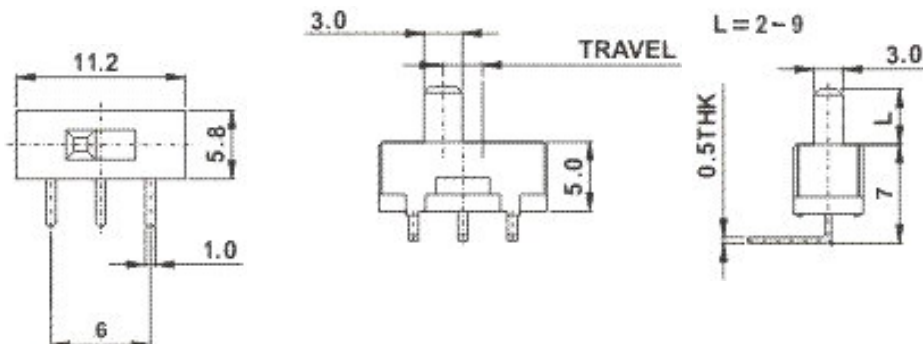
CONTACT ARRANGEMENT	SPDT
CONTACT RATING	0.5A 125VAC
CONTACT RESISTANCE	30mΩ Max. 1A 5VDC
INSULATION RESISTANCE	100MΩ Min. 500VDC
DIELECTRIC withstanding VOLTAGE	1000VAC for 1 min
OPERATING FORCE	300 ± 100g
ELECTRICAL LIFE	1x10 ⁴ Cycles

■ DIMENSION and CIRCUITRY

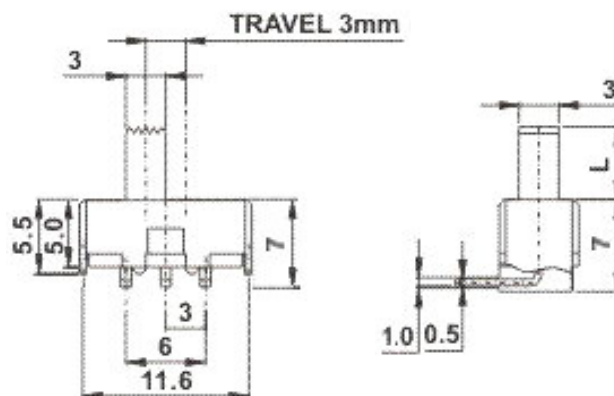
SS-12F16



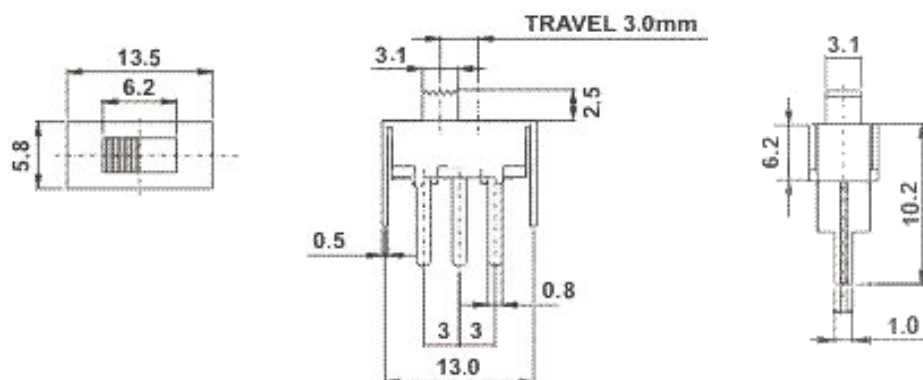
SS-12F21



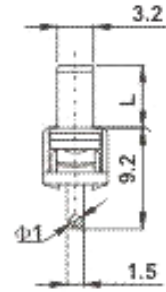
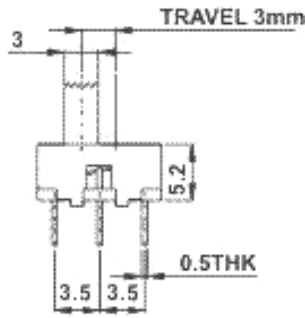
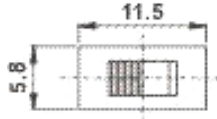
SS-12F23-4.5



SS-12F47



■ DIMENSION and CIRCUITRY
SS-12F51-V4



SS-12F77-V4

