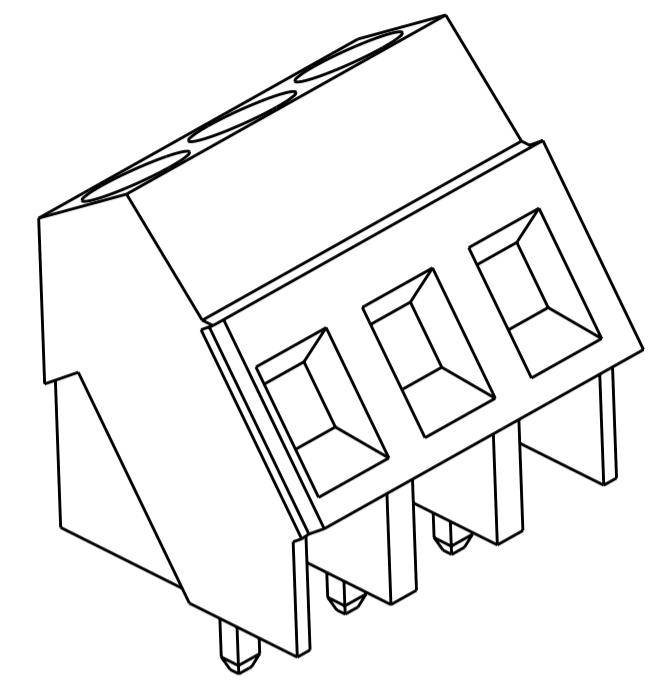
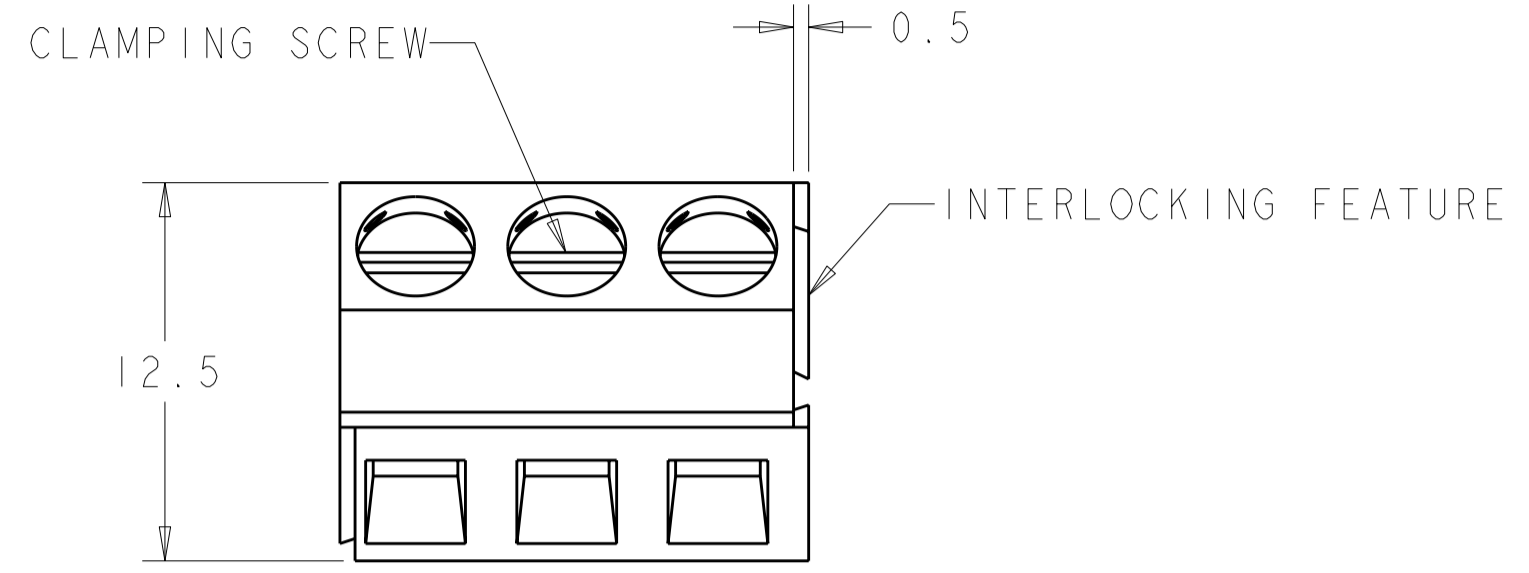
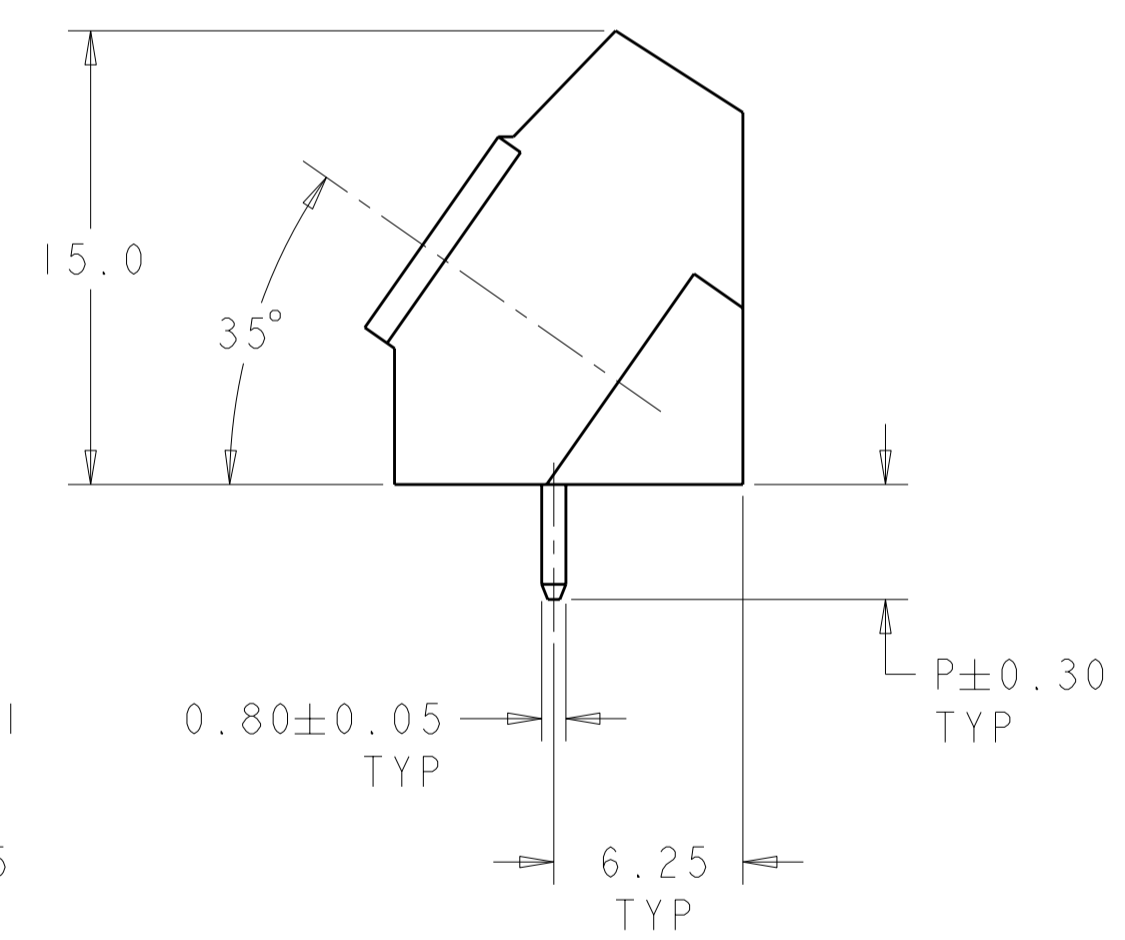
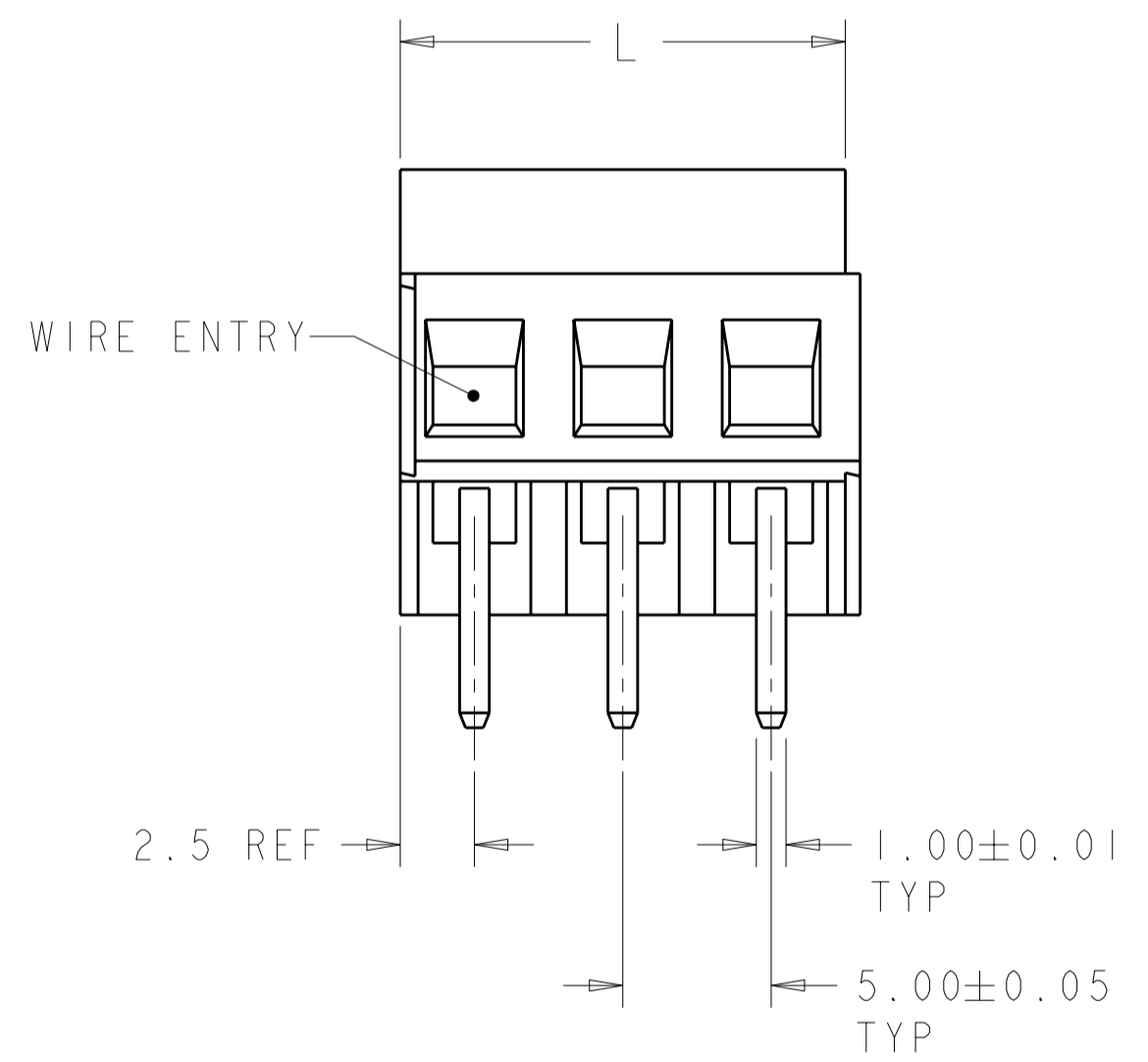


THIS DRAWING IS UNPUBLISHED. RELEASED FOR PUBLICATION 20  
 © COPYRIGHT 20 BY TYCO ELECTRONICS CORPORATION. ALL RIGHTS RESERVED.

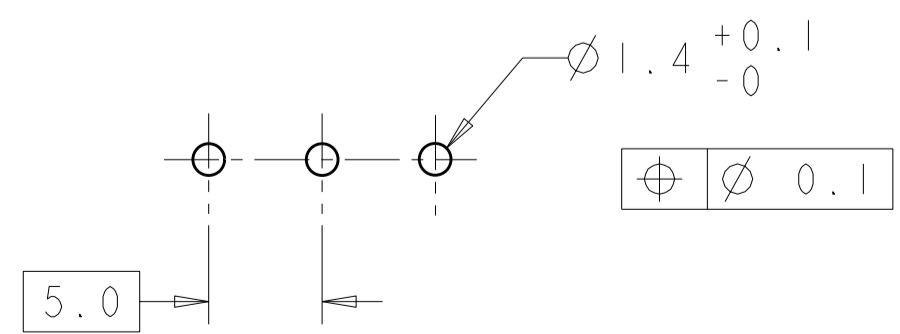
LOC		DIST		REVISIONS			
P	LTR	DESCRIPTION		DATE	DWN	APVD	
FT	0	EI	REVISED PER ECO-10-004175		02MAR2010	HMR	CR



796690-3 AS SHOWN



INK COLOR	MARKING	P	L	NO OF POSN	PART NUMBER	
-	-	6.0	15	3	5-796690-3	
-	-	6.0	10	2	5-796690-2	
△9	SEE DETAIL B	3.8	10	2	4-796690-2	
△8	SEE DETAIL F		40	8	3-796690-8	
△9	SEE DETAIL C		15	3	3-796690-3	
-	-		100	20	2-796690-0	
△9	SEE DETAIL C	3.8	15	3	1-796690-9	
△9	SEE DETAIL B		10	2	1-796690-8	
-	-		6.0	15	3	1-796690-7
-	-		6.0	10	2	1-796690-6
△8	SEE DETAIL E	3.8	25	5	1-796690-5	
△8	SEE DETAIL D		20	4	1-796690-4	
△8	SEE DETAIL A		10	2	1-796690-3	
-	-		60	12	1-796690-2	
-	-		55	11	1-796690-1	
-	-		50	10	1-796690-0	
-	-		45	9	796690-9	
-	-		40	8	796690-8	
-	-		35	7	796690-7	
-	-		30	6	796690-6	
-	-		25	5	796690-5	
-	-		20	4	796690-4	
-	-	15	3	796690-3		
-	-	10	2	796690-2		

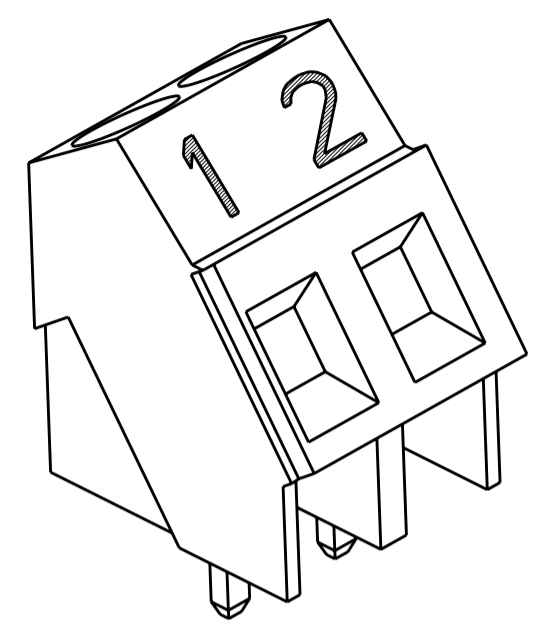


RECOMMENDED PC BOARD LAYOUT

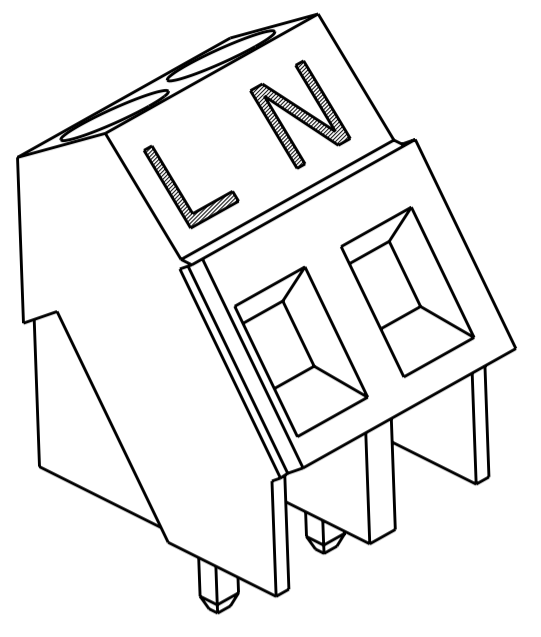
THIS DRAWING IS A CONTROLLED DOCUMENT FOR TYCO ELECTRONICS CORPORATION. IT IS SUBJECT TO CHANGE AND THE CONTROLLING ENGINEERING ORGANIZATION SHOULD BE CONTACTED FOR THE LATEST REVISION.		DWN E. ZANOLINI 14MAR2001 CHK D. BIEVENOUR 14MAR2001 APVD D. BIEVENOUR 14MAR2001	Tyco Electronics Harrisburg, PA 17105-3608
DIMENSIONS: mm 	TOLERANCES UNLESS OTHERWISE SPECIFIED: 0 PLC ± 1 PLC ±.3 2 PLC ±.25 3 PLC ± 4 PLC ± ANGLES ±2 FINISH	PRODUCT SPEC 108-20166 APPLICATION SPEC 114-20079 WEIGHT -	NAME TERMINAL BLOCK, PCB MOUNT ANGLED WIRE ENTRY, STACKING W/INTERLOCK, 5mm PITCH SIZE A2 CAGE CODE 00779 DRAWING NO. 796690 RESTRICTED TO -
MATERIAL -		CUSTOMER DRAWING	
		SCALE 3:1	SHEET 1 OF 2 REV E1

THIS DRAWING IS UNPUBLISHED. RELEASED FOR PUBLICATION 20  
 © COPYRIGHT 20 BY TYCO ELECTRONICS CORPORATION. ALL RIGHTS RESERVED.

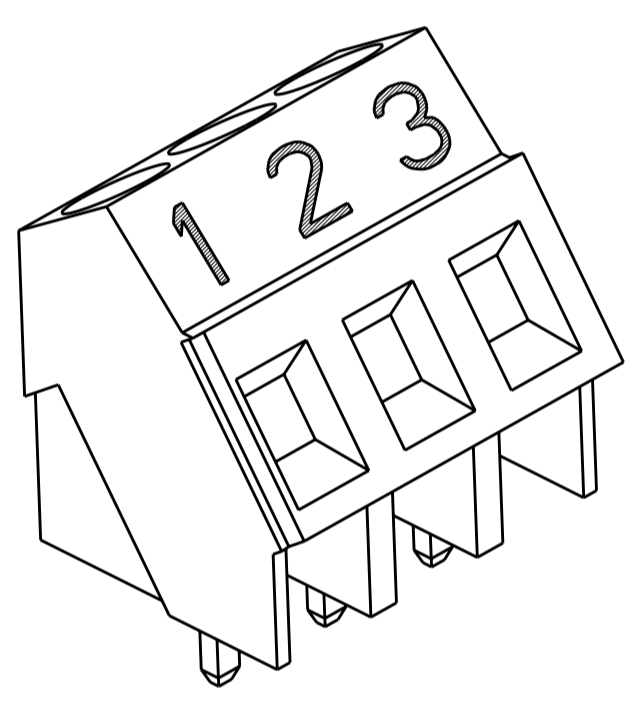
LOC	DIST	REVISIONS			
P	LTR	DESCRIPTION	DATE	DWN	APVD
FT	0	-	SEE SHEET 1	-	-



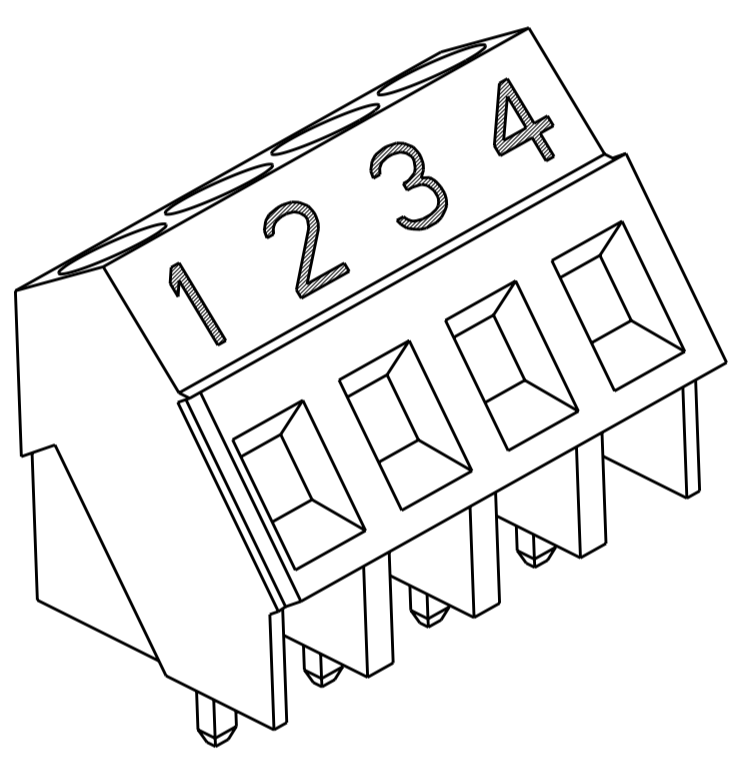
DETAIL A



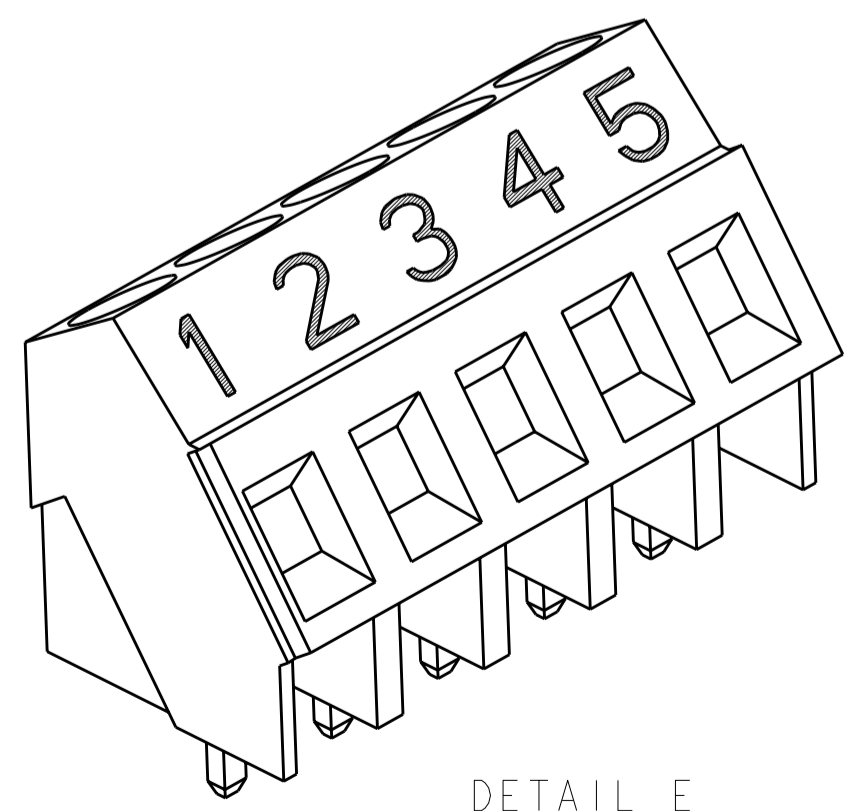
DETAIL B



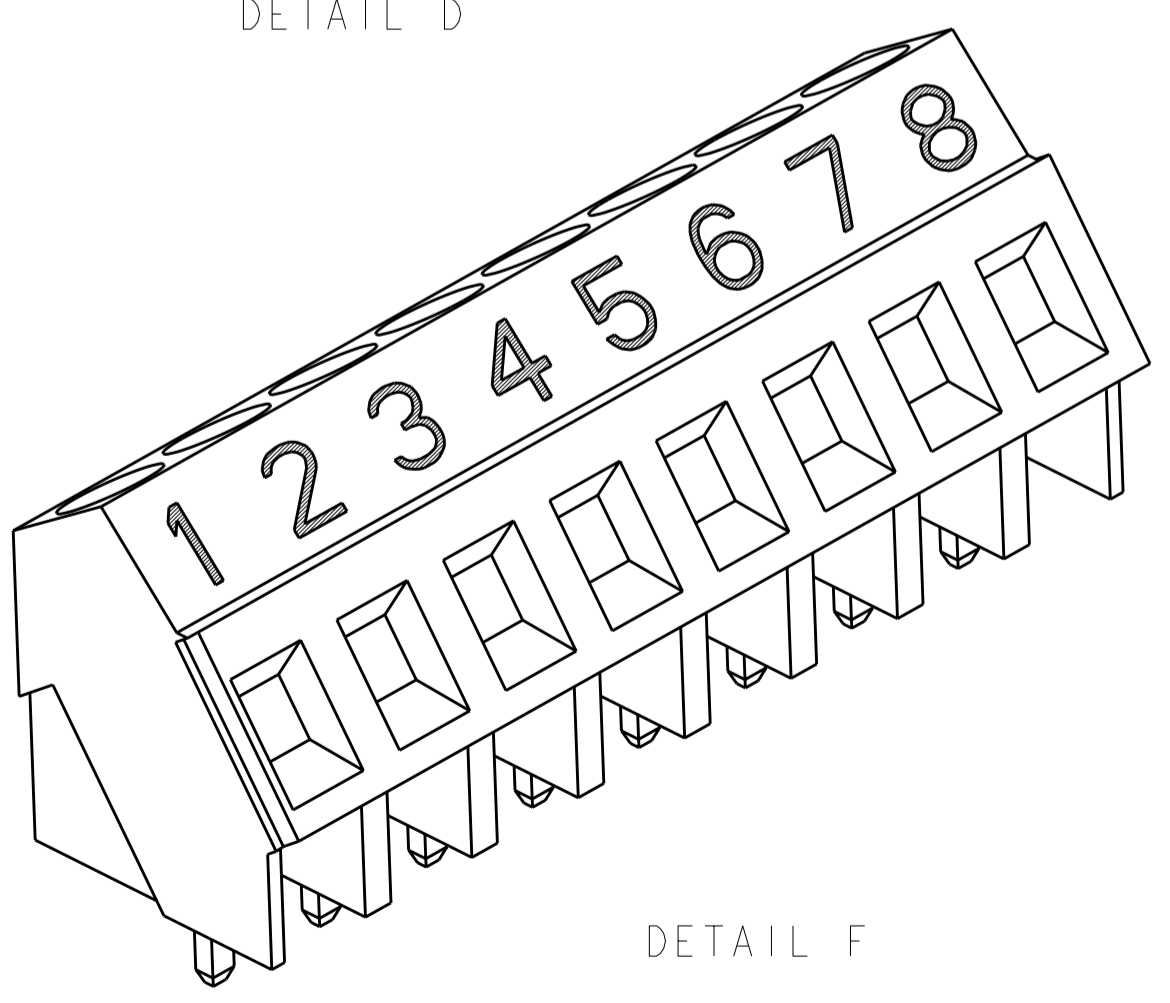
DETAIL C



DETAIL D



DETAIL E



DETAIL F

- 1. MATERIALS AND FINISH:  
 HOUSING: PA 6-6, UL 94-V0, COLOR GREEN.  
 CLAMP: BRASS, NICKEL PLATED.  
 TERMINAL: BRASS, TIN PLATED.  
 CLAMPING SCREW: M3, BRASS, NICKEL PLATED.
- 2. SUITABLE FOR 1,6-2,4mm PCB THICKNESS.
- 3. END-TO-END STACKABLE W/INTERLOCK, WITHOUT LOSS OF CENTERLINE SPACING.
- 4. WIRE RANGE: 12-30 AWG.
- 5. RECOGNIZED UNDER THE COMPONENT PROGRAM OF UNDERWRITERS LABORATORIES INC. FILE N° E60677.
- 6. IMQ CERTIFICATE WITH SURVEILLANCE IN CONFORMITY WITH IEC 998-1/998-2-1.
- 7. NOT CUMULATIVE TOLERANCE.
- 8. INK MARKED WHITE, UNLESS OTHERWISE SPECIFIED. NUMERICAL SEQUENCE FROM LEFT TO RIGHT.
- 9. INK MARKED BLACK, UNLESS OTHERWISE SPECIFIED. NUMERICAL SEQUENCE FROM LEFT TO RIGHT.
- 10. BUCHANAN LOGO TO APPEAR ON HOUSING, LOCATION OPTIONAL, WHERE SPACE PERMITS.

<small>THIS DRAWING IS A CONTROLLED DOCUMENT FOR TYCO ELECTRONICS CORPORATION          IT IS SUBJECT TO CHANGE AND THE CONTROLLING ENGINEERING ORGANIZATION          SHOULD BE CONTACTED FOR THE LATEST REVISION.</small>		DWN E. ZANOLINI 14MAR2001 CHK D. BIEVENOUR 14MAR2001 APVD D. BIEVENOUR 14MAR2001	<b>Tyco Electronics</b> Tyco Electronics Harrisburg, PA 17105-3608
DIMENSIONS: mm 	TOLERANCES UNLESS OTHERWISE SPECIFIED: 0 PLC ±- 1 PLC ±.3 2 PLC ±.25 3 PLC ±- 4 PLC ±- ANGLES ±2 FINISH	PRODUCT SPEC - APPLICATION SPEC - WEIGHT -	NAME TERMINAL BLOCK, PCB MOUNT ANGLED WIRE ENTRY, STACKING W/INTERLOCK, 5mm PITCH SIZE A2 CAGE CODE 00779 DRAWING NO. C-796690 RESTRICTED TO -
MATERIAL		CUSTOMER DRAWING	SCALE 3:1 SHEET 2 OF 2 REV E1