

# SPECIFICATIONS

## 1. PICTURE TUBE

Size	: 17 inch (Flat Solt Mask)
Deflection Angle	: 90°
Neck Diameter	: 29.1mm
Stripe Pitch	: 0.24mm
Face Treatment	: W-ARAS(Anti-Reflection and Anti-Static Coating)
Internal	: Anti-Glare

## 2. SIGNAL

### 2-1. Horizontal & Vertical Sync

- 1) Input Voltage Level : Low=0~1.2V, High=2.5~5.5V
- 2) Sync Polarity : Positive or Negative

### 2-2. Video Input Signal

- 1) Voltage Level : 0 ~ 0.7 Vp-p
  - a) Color 0, 0 : 0 Vp-p
  - b) Color 7, 0 : 0.467 Vp-p
  - c) Color 15, 0 : 0.7 Vp-p
- 2) Input Impedance : 75Ω
- 3) Video Color : R, G, B Analog
- 4) Signal Format : Refer to the Timing Chart

### 2-3. Signal Connector

15-pin Attached Connector

### 2-4. Scanning Frequency

Horizontal	: 30 ~ 70 kHz
Vertical	: 50 ~ 160 Hz

## 3. POWER SUPPLY

### 3-1. Power Range

AC 100~240V (Free Voltage), 50/60Hz, 2.0A

### 3-2. Power Consumption

MODE	H/V SYNC	POWER CONSUMPTION	LED COLOR
NORMAL (ON)	ON/ON	less than 105W	GREEN
STAND-BY	OFF/ON	less than 15W	ORANGE
SUSPEND	ON/OFF	less than 15W	
OFF	OFF/OFF	less than 3W	ORANGE

## 4. DISPLAY AREA

- 4-1. Active Video Area : 325.4 x 244.1mm(12.81" x 9.61")
- 4-2. Display Color : Full Colors
- 4-3. Display Resolution : 1280 x 1024 / 60Hz  
(Non-Interlace)
- 4-4. Video Bandwidth : 110MHz

## 5. ENVIRONMENT

- 5-1. Operating Temperature: 10°C ~ 35°C (Ambient)
- 5-2. Relative Humidity : 10% ~ 90%  
(Non-condensing)
- 5-3. Altitude : 5,000m

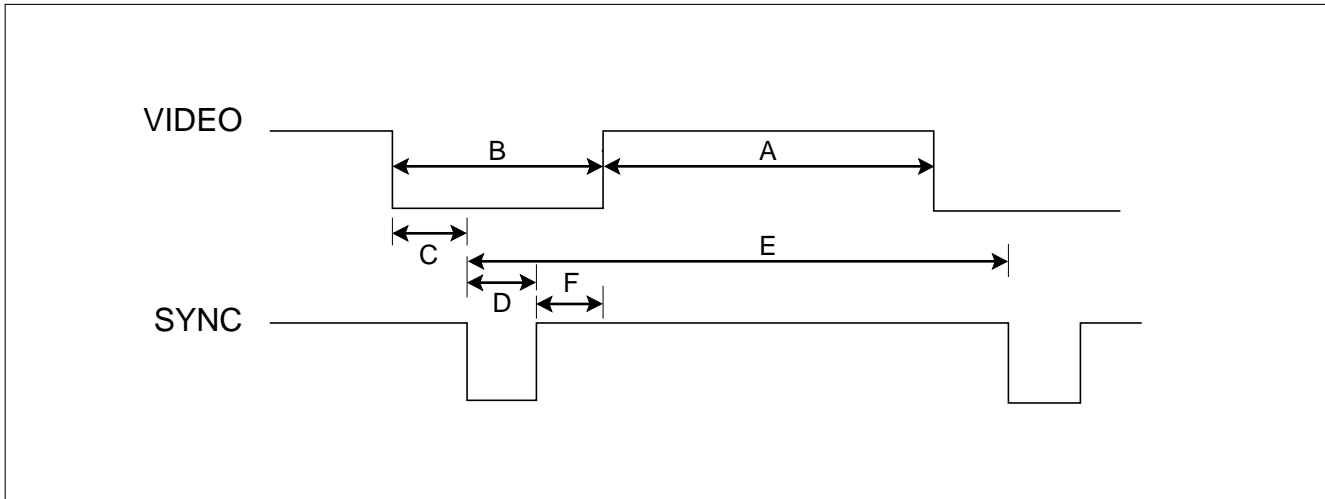
## 6. DIMENSIONS (with TILT/SWIVEL)

Width	: 415.0mm (16.34 inch)
Depth	: 439.0mm (17.28 inch)
Height	: 435.0mm (17.13 inch)

## 7. WEIGHT (with TILT/SWIVEL)

Net Weight	: 19.2kg (42.34 lbs.)
Gross Weight	: 22.5kg (49.61 lbs.)

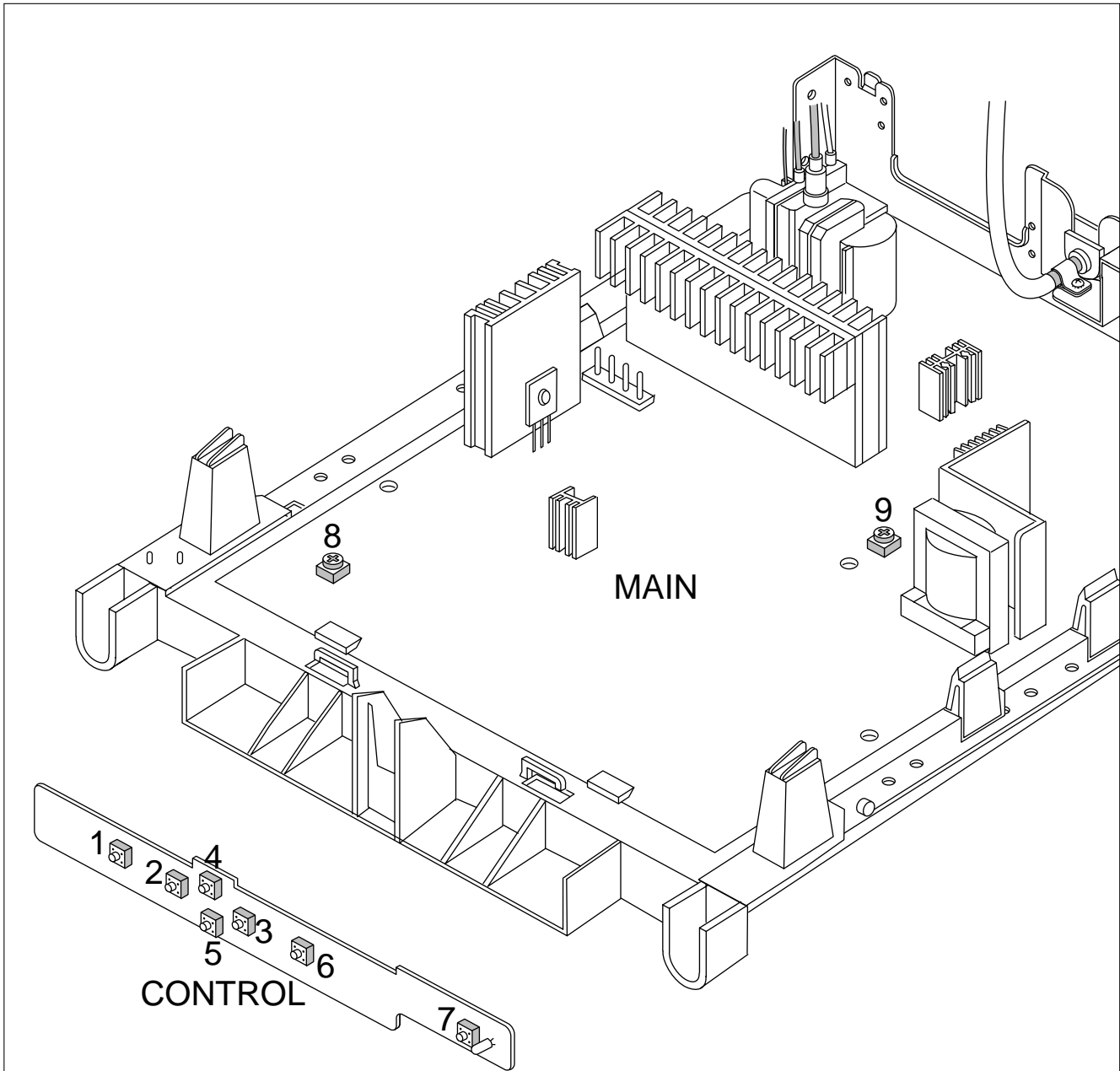
# TIMING CHART



MODE		FACTORY PRESET MODE												
		MARK	MODE 1	MODE 2	MODE 3	MODE 4	MODE 5	MODE 6	MODE 7	MODE 8	MODE 9	MODE 10	MODE 11	
H O R I Z O N T A L	Sync Polarity		—	+	+	+	—	—	+	—	—	+	+	
	Frequency	kHz	37.50	46.88	53.68	68.677	31.47	31.47	37.88	43.27	49.75	60.02	63.98	
	Total Period	μs	E	26.67	21.33	18.63	14.561	31.78	31.78	26.40	23.11	20.10	16.66	15.63
	Video Active Time	μs	A	20.32	16.16	14.22	10.836	25.42	25.42	20.00	17.78	14.52	13.00	11.85
	Blanking Time	μs	B	6.35	5.17	4.41	3.725	6.36	6.36	6.40	5.33	5.58	3.66	3.78
	Front Porch	μs	C	0.51	0.32	0.57	0.508	0.64	0.64	1.00	0.89	0.55	0.20	0.44
	Sync Duration	μs	D	2.03	1.62	1.14	1.016	3.81	3.81	3.20	1.33	1.12	1.22	1.04
	Back Porch	μs	F	3.81	3.23	2.70	2.201	1.91	1.91	2.20	3.11	3.91	2.24	2.30
V E R T I C A L	Sync Polarity		—	+	+	+	+	—	+	—	—	+	+	
	Frequency	Hz	74.99	75.01	85.07	85.00	70.08	59.94	60.32	85.01	74.95	75.03	60.02	
	Total Period	ms	E	13.335	13.331	11.755	11.764	14.269	16.684	16.579	11.763	13.407	13.328	16.661
	Video Active Time	ms	A	12.802	12.798	11.178	11.182	12.712	15.254	15.840	11.093	12.542	12.795	16.005
	Blanking Time	ms	B	0.533	0.533	0.577	0.582	1.557	1.430	0.739	0.670	0.865	0.533	0.656
	Front Porch	ms	C	0.026	0.021	0.018	0.014	0.414	0.318	0.026	0.023	0.021	0.017	0.015
	Sync Duration	ms	D	0.080	0.064	0.056	0.044	0.063	0.063	0.106	0.069	0.060	0.050	0.047
	Back Porch	ms	F	0.427	0.448	0.503	0.524	1.080	1.049	0.607	0.578	0.784	0.466	0.594
<b>Resolution</b>			<b>640 x 480 75Hz</b>	<b>800 x 600 75Hz</b>	<b>800 x 600 85Hz</b>	<b>1024 x 768 85Hz</b>	<b>640 x 400 70Hz</b>	<b>640 x 480 60Hz</b>	<b>800 x 600 60Hz</b>	<b>640 x 480 85Hz</b>	<b>832 x 624 75Hz</b>	<b>1024 x 768 75Hz</b>	<b>1280 x 1024 60Hz</b>	
<b>Recall</b>			Yes	Yes	Yes	Yes	Yes	Yes	Yes	Yes	Yes	Yes	Yes	

\* Mode 1~Mode 4: Basic Mode (Mode 5~Mode 11: Default Mode)

## CONTROL LOCATIONS

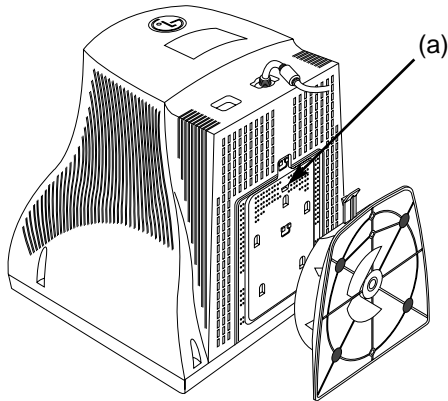


No.	Ref. No.	Control Function	No.	Ref. No.	Control Function
1	SW201	OSD BUTTON	6	SW204	SET BUTTON
2	SW202	OSD SELECT/ADJUSTMENT LEFT	7	SW207	POWER BUTTON
3	SW206	OSD SELECT/ADJUSTMENT RIGHT	8	VR701	HIGH-VOLTAGE ADJUSTMENT
4	SW203	OSD SELECT/ADJUSTMENT UP	9	VR901	B <sup>+</sup> ADJUSTMENT
5	SW205	OSD SELECT/ADJUSTMENT DOWN			

# DISASSEMBLY

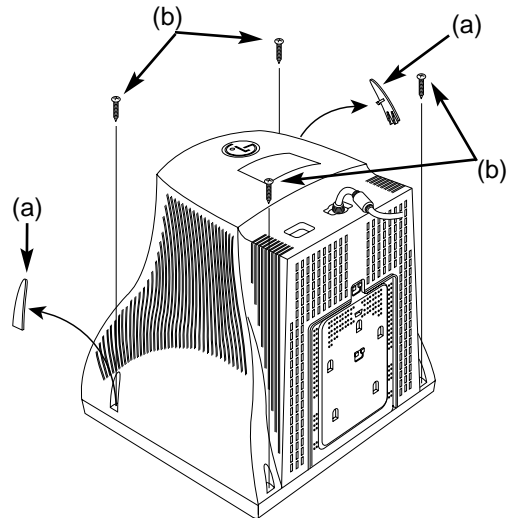
## 1. TILT/SWIVEL REMOVAL

- 1) Set the monitor face downward.
- 2) Pressing the latch (a), carefully remove the Tilt/Swivel by pulling it upward.



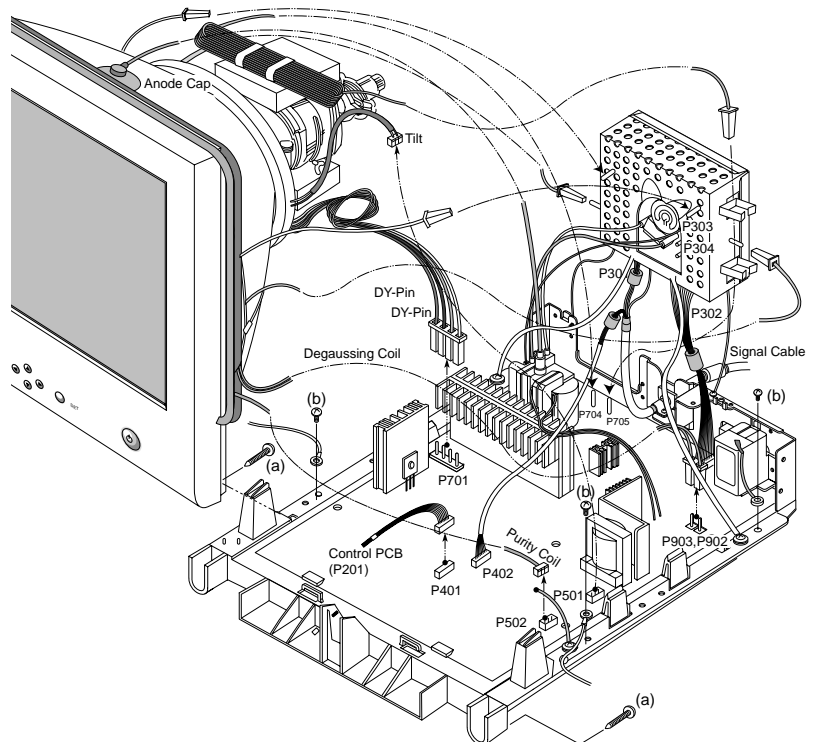
## 2. BACK COVER REMOVAL

- 1) Remove two screws cap (a).
- 2) Remove four screws (b) from the Back Cover.
- 3) Slide the Back Cover away from the Front Cabinet of the monitor.



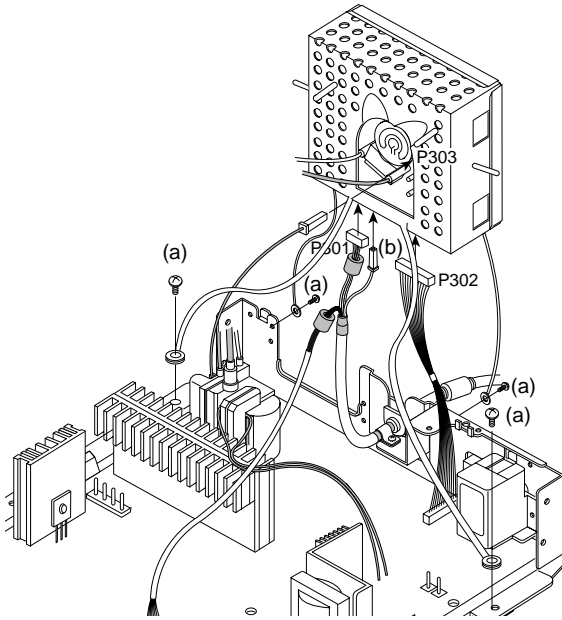
## 3. TOTAL CHASSIS ASSEMBLY REMOVAL

- 1) Disconnect P903,P902(Degaussing pin), P701(DY pin), P501(Tilt pin), P502(Purity pin), P401,P704 and P705 from the Main PCB.
- 2) Disconnect Pin four from the Video PCB.
- 3) Carefully separate the CDT Board Assembly from the CDT neck.
- 4) Discharge the remaining static electricity by shorting between the Anode Cap and the CDT ground.
- 5) Disconnect the Anode Cap from the CDT.
- 6) Remove two screws (a).
- 7) Remove three screws (b).
- 8) Remove the Total Chassis Assembly from the Main Frame.



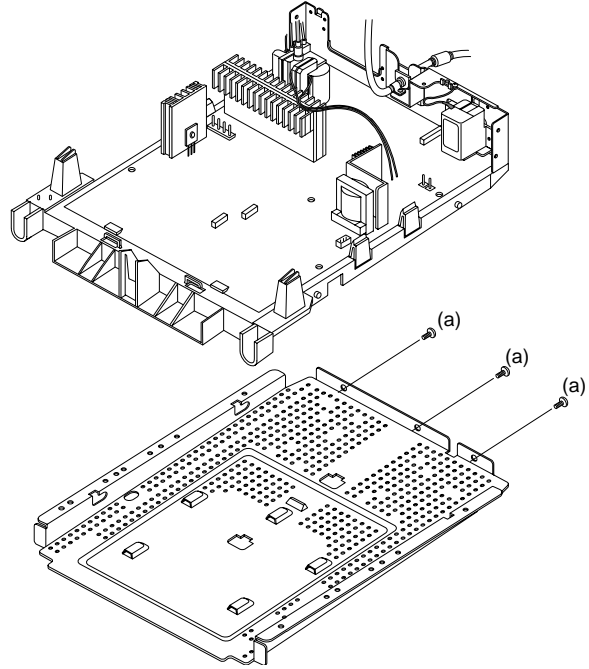
#### 4. VIDEO PCB ASSEMBLY REMOVAL

- 1) Remove four screws (a).
- 2) Disconnect P301, P302, P303, and Pin (b).
- 3) Remove the Video PCB Assembly.



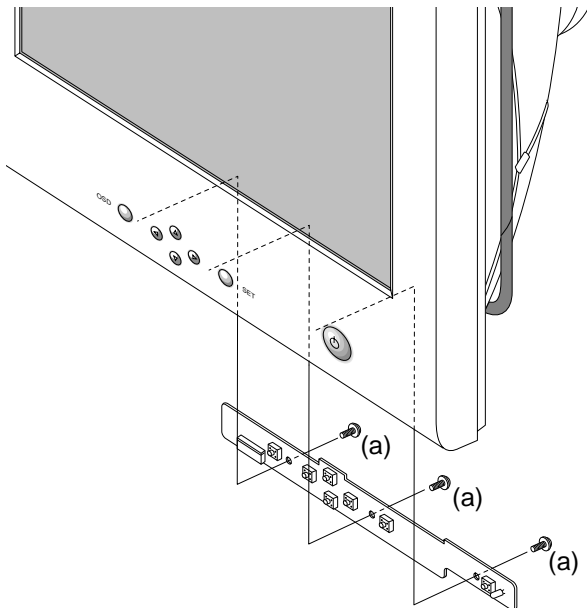
#### 6. BOTTOM BRACKET REMOVAL

- 1) Remove three screws (a).
- 2) Remove the Bottom Bracket.



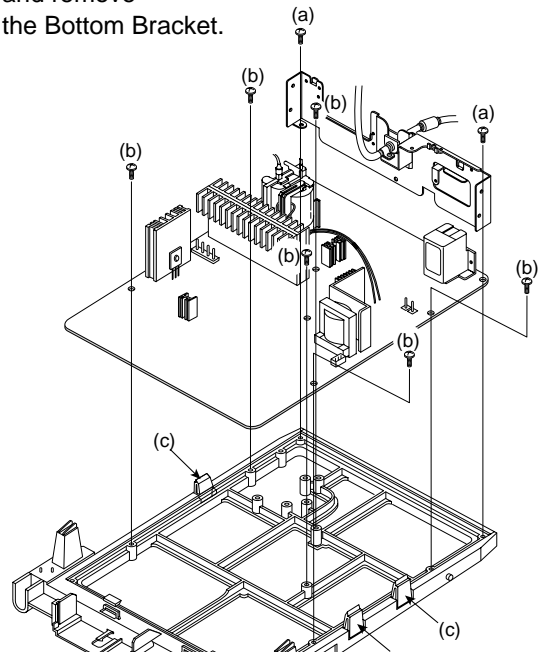
#### 5. CONTROL PCB ASSEMBLY REMOVAL

- 1) Remove three screws (a).
- 2) Remove the Control PCB Assembly from the Front Cabinet.



#### 7. MAIN BRACKET REMOVAL

- 1) Remove two screws (a).
- 2) Remove the Rear Bracket.
- 3) Remove six screws (b).
- 4) Release three latches (c), and remove the Bottom Bracket.



# ADJUSTMENT


## GENERAL INFORMATION

All adjustment are thoroughly checked and corrected when the monitor leaves the factory, but sometimes several adjustments may be required.

Adjustment should be following procedure and after warming up for a minimum of 30 minutes.

- Alignment appliances and tools.
  - IBM compatible PC.
  - Programmable Signal Generator.  
(eg. VG-819 made by Astrodesign Co.)
  - EPROM or EEPROM with saved each mode data.
  - Alignment Adaptor and Software.
  - Digital Voltmeter.
  - White Balance Meter.
  - Luminance Meter.
  - High-voltage Meter.

## AUTOMATIC AND MANUAL DEGAUSSING

The degaussing coil is mounted around the CDT so that automatic degaussing when turn on the monitor. But a monitor is moved or faced in a different direction, become poor color purity cause of CDT magnetized, then press  DEGAUSS on the OSD menu.

## ADJUSTMENT PROCEDURE & METHOD

- Install the cable for adjustment such as Figure 1 and run the alignment program on the DOS for IBM compatible PC.
- Set external Brightness and Contrast volume to max position.

### 1. Adjustment for B<sup>+</sup> Voltage.

- 1) Display cross hatch pattern at Mode 4.
- 2) Adjust voltage to 175V±0.5Vdc with **VR901**.

### 2. Adjustment for High-Voltage.

- 1) Display cross hatch pattern at Mode 4.
- 2) Adjust Anode voltage to 26kV+0.1kV, 26kV-0.2kV with **VR701**.

### 3. Adjustment for Factory Mode (Preset Mode).

- 1) Display cross hatch pattern at Mode 1.
- 2) Run alignment program for FB775B on the IBM compatible PC.
- 3) Power button of the monitor turn off → turn on.
- 4) COMMAND → START → Y(Yes) command.
- 5) DIST. ADJ. → TILT command.
- 6) Adjust tilt as arrow keys to be the best condition.

- 7) DIST. ADJ. → BALANCE command.
- 8) Adjust balance of side-pincushion as arrow keys to be the best condition.
- 9) DIST. ADJ. → BALANCE command.
- 10) Adjust parallelogram as arrow keys to be the best condition.
- 11) DIST. ADJ. → FOS. ADJ command.
- 12) Adjust V-SIZE as arrow keys to 230±2mm.
- 13) Adjust V-POSITION as arrow keys to center of the screen.
- 14) Adjust H-SIZE as arrow keys to 310±2mm.
- 15) Adjust H-POSITION as arrow keys to center of the screen.
- 16) Adjust S-PCC (Side-Pincushion) as arrow keys to be the best condition.
- 17) Adjust TRAPEZOID as arrow keys to be the best condition.
- 18) Display from Mode 1 to Mode 4 and repeat above from number 12) to 17).
- 19) PRESET EXIT → Y (Yes) command.

### 4. Adjustment for White Balance and Luminance.

- 1) Set the White Balance Meter.
- 2) Press the DEGAUSS on the OSD menu for demagnetization of the CDT.
- 3) Set Brightness max and SUB-Brightness to 200 (Decimal) position.
- 4) Display color 0,0 pattern at Mode 4.
- 5) COLOR ADJ. → LUMINANCE command of the alignment program.
- 6) COLOR ADJ. → BIAS ADJ. command of the alignment program.
- 7) Check whether blue color or not at R-BIAS and B-BIAS to min position and G-BIAS to 150(decimal) to adjust Sub-Brightness to 0.2±0.05FL of the raster luminance. Check it's not blue color.
- 8) Adjust R-BIAS and B-BIAS command to x=0.283±0.02 and y=0.298±0.02 on the White Balance Meter with PC arrow keys.
- 9) Adjust SUB-Brightness command to 0.3±0.1FL of the raster luminance.
- 10) Display color 15,0 box pattern (70x70mm) at Mode 4.
- 11) Set Contrast max and SUB-Contrast to max position.
- 12) DRIVE ADJ command.
- 13) Set G-DRIVE to 160(A0) (decimal) at DRIVE of the alignment program.

- 14) Adjust R-DRIVE and B-DRIVE command to white balance  $x=0.283\pm0.003$  and  $y=0.298\pm0.003$  on the White Balance Meter with PC arrow keys.
- 15) Adjust SUB-CONTRAST command to  $50\pm1FL$  of the color 15,0 box pattern (70x70mm) luminance at mode 4 and save in color 1.
- 16) Display color 15,0 full white patten at Mode 4.
- 17) COLOR ADJ. → LUMINANCE → ABL command.
- 18) Adjust ABL to  $31\pm1FL$  of the luminance.
- 19) Exit from the program.

### 5. Adjustment for Focus.

- 1) Set the Brightness and Contrast to max position.
- 2) Display H character in full screen at Mode 4.
- 3) Adjust two Focus control on the FBT that focus should be the best condition.

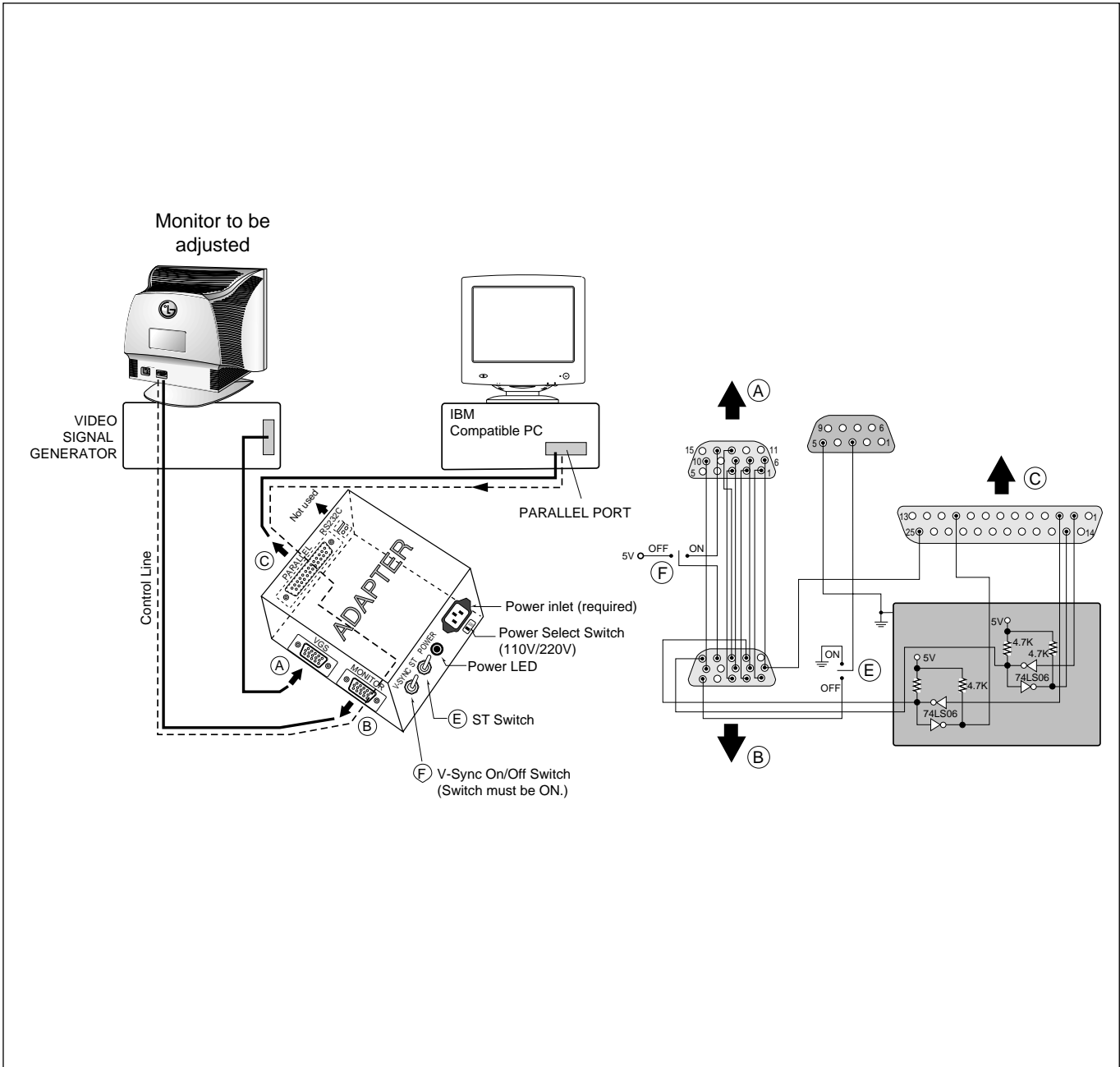
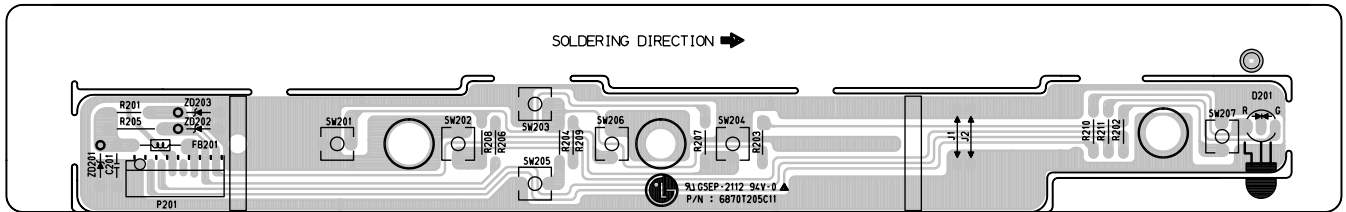
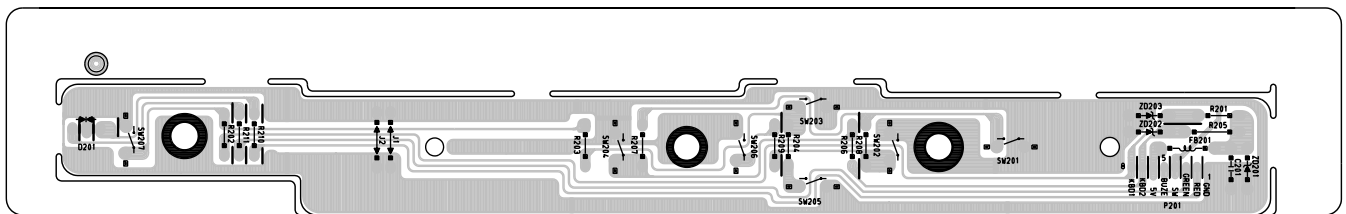


Figure 1. Cable Connection

## 5. CONTROL BOARD (Component Side)

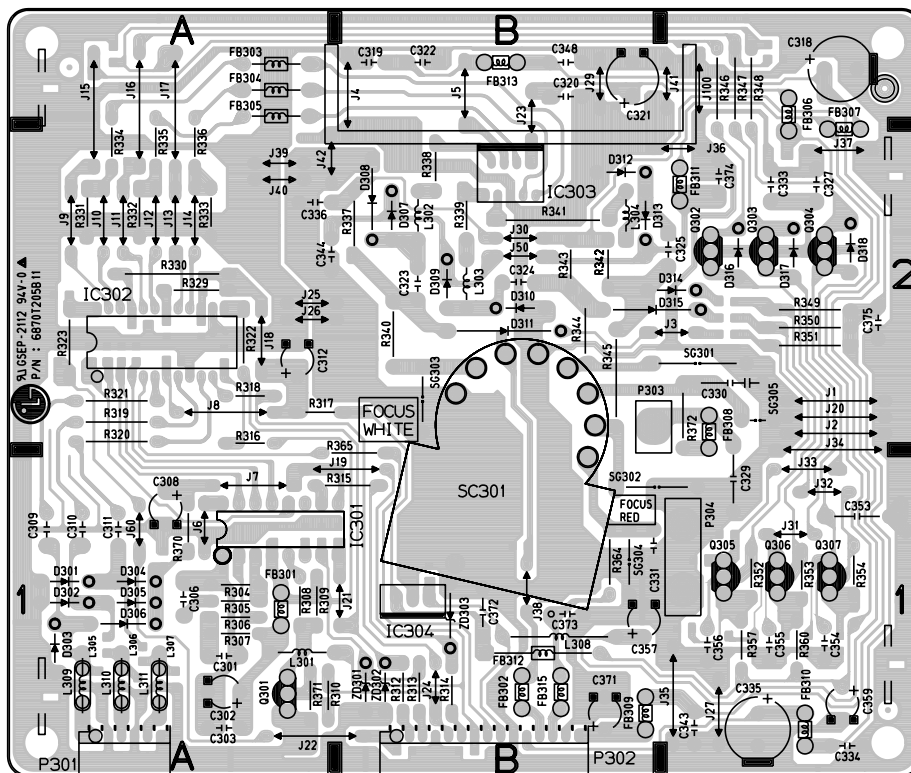


## 6. CONTROL BOARD (Solder Side)

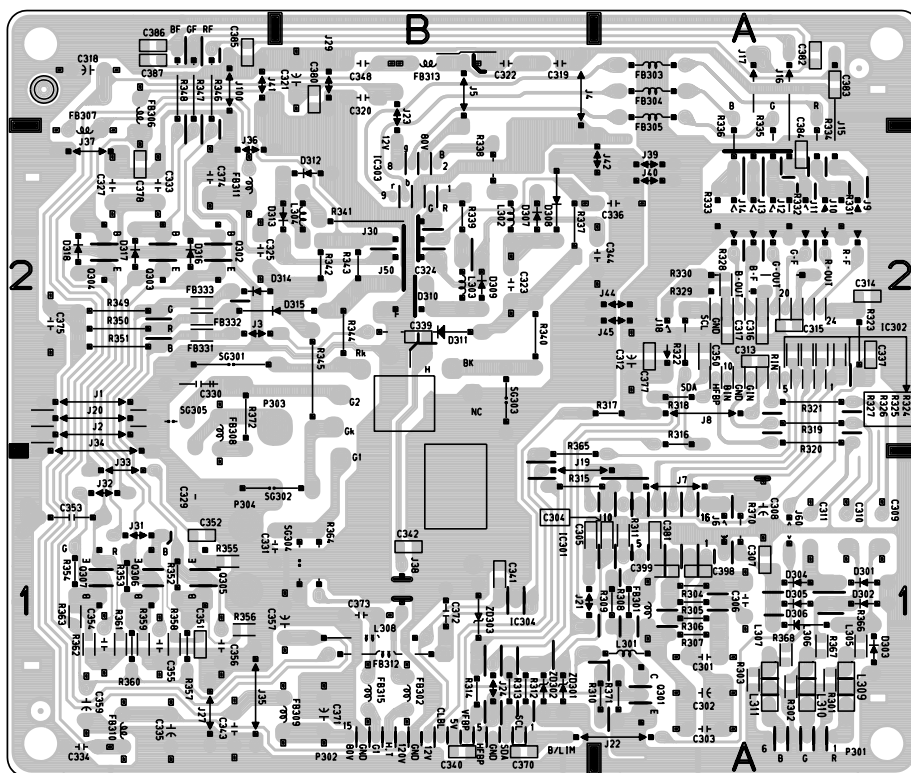




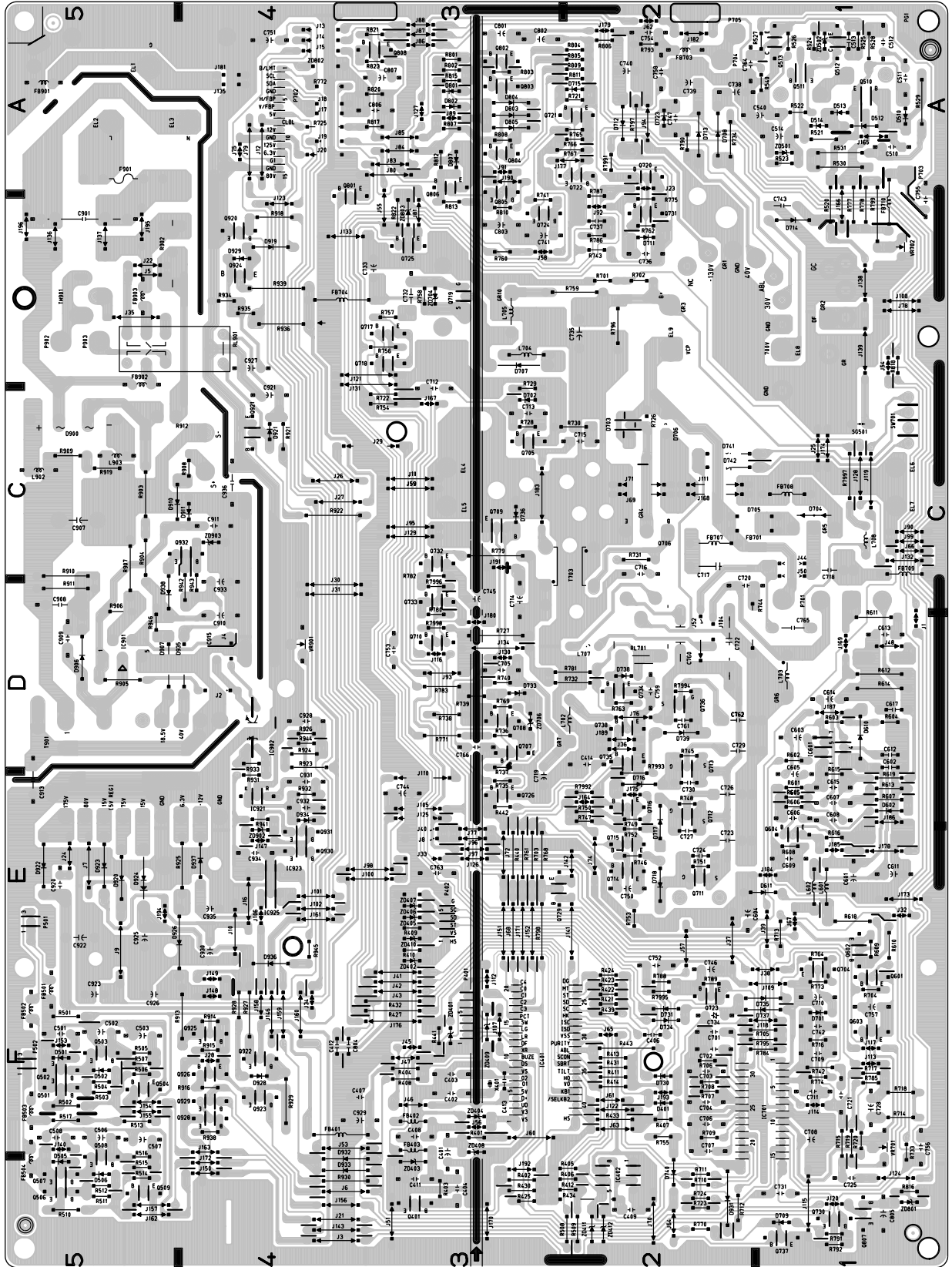
### 3. VIDEO BOARD (Component Side)



### 4. VIDEO BOARD (Solder Side)

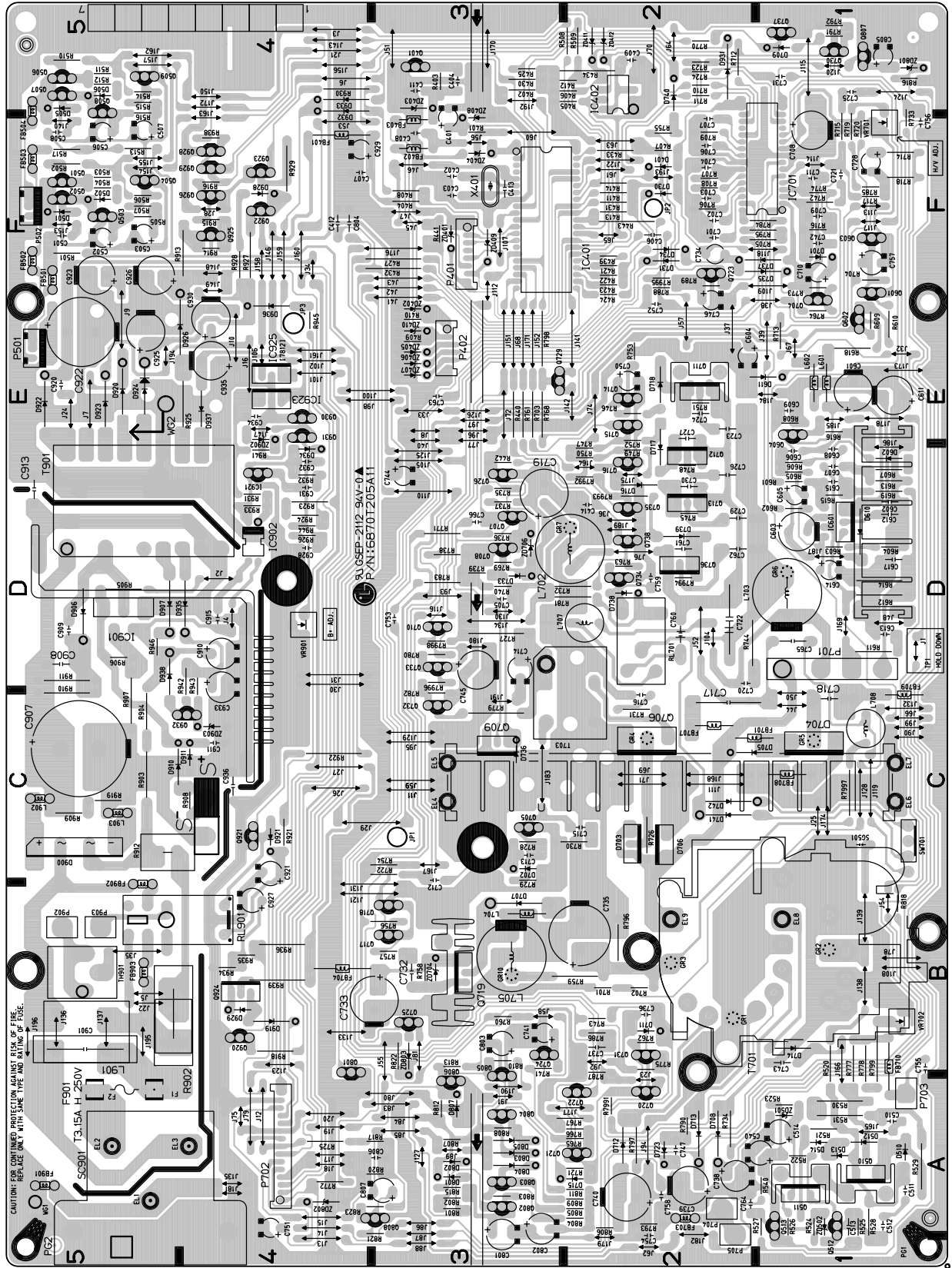


## 2. MAIN BOARD (Solder Side)

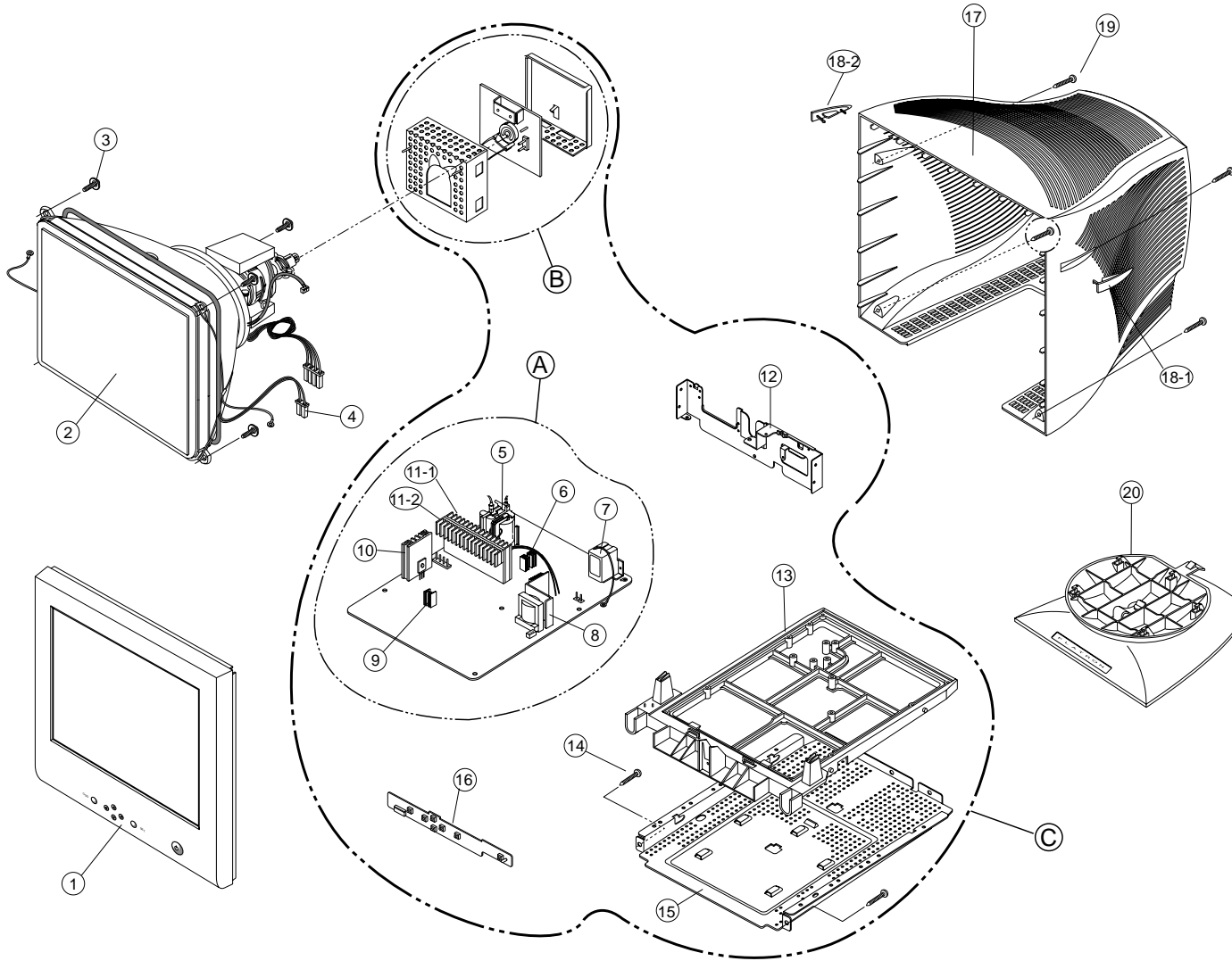


# PRINTED CIRCUIT BOARD

## 1. MAIN BOARD (Component Side)

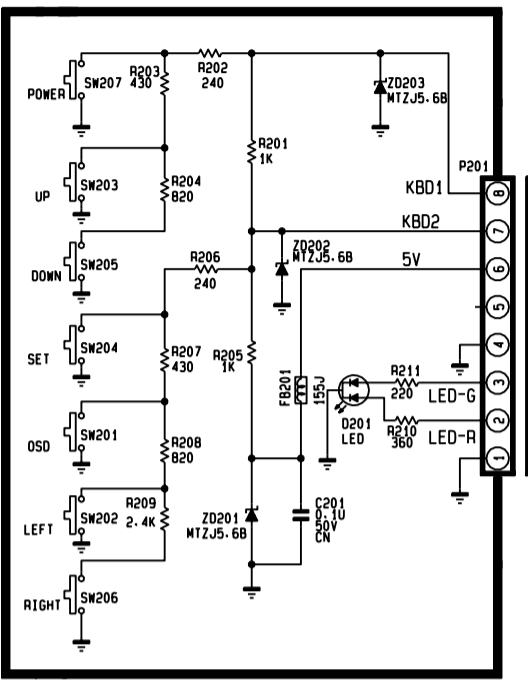


# EXPLODED VIEW



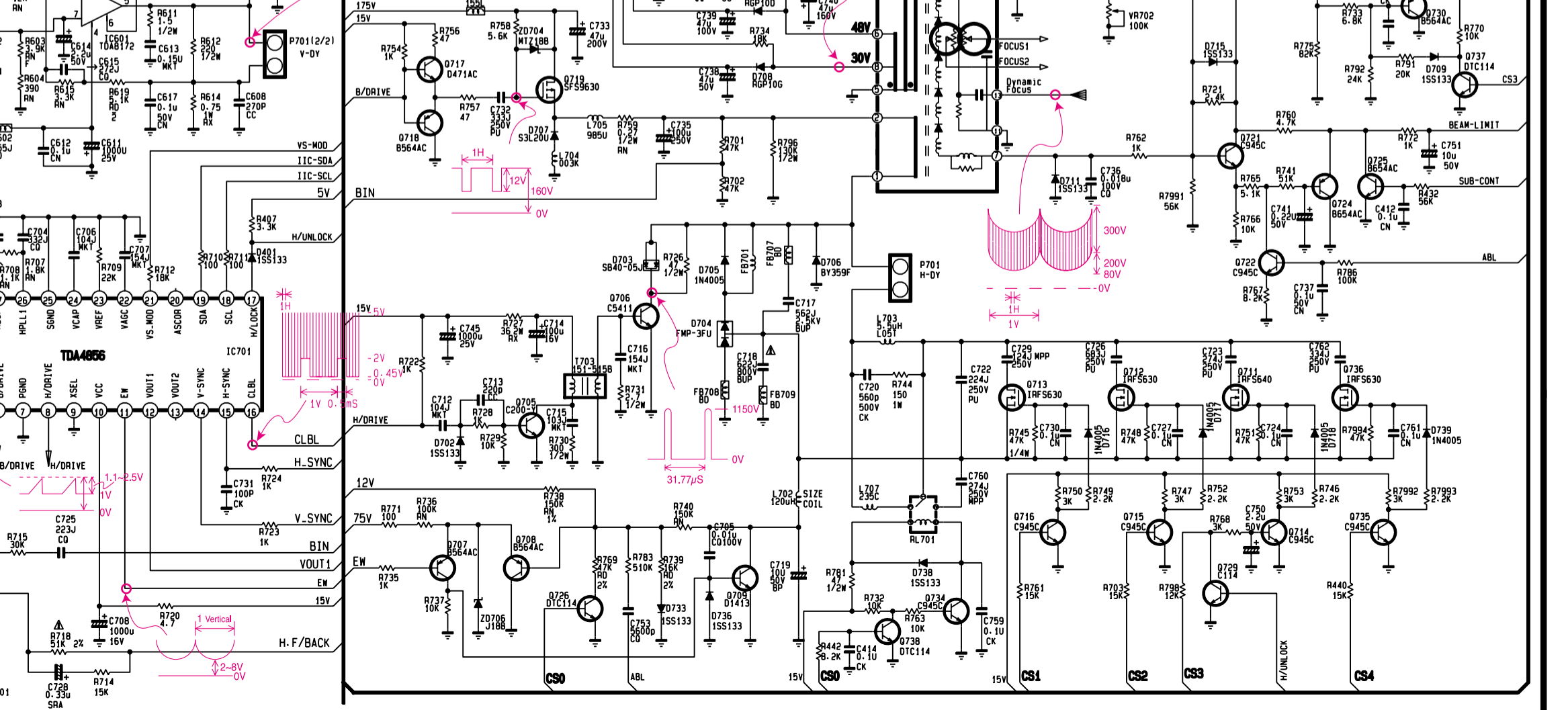
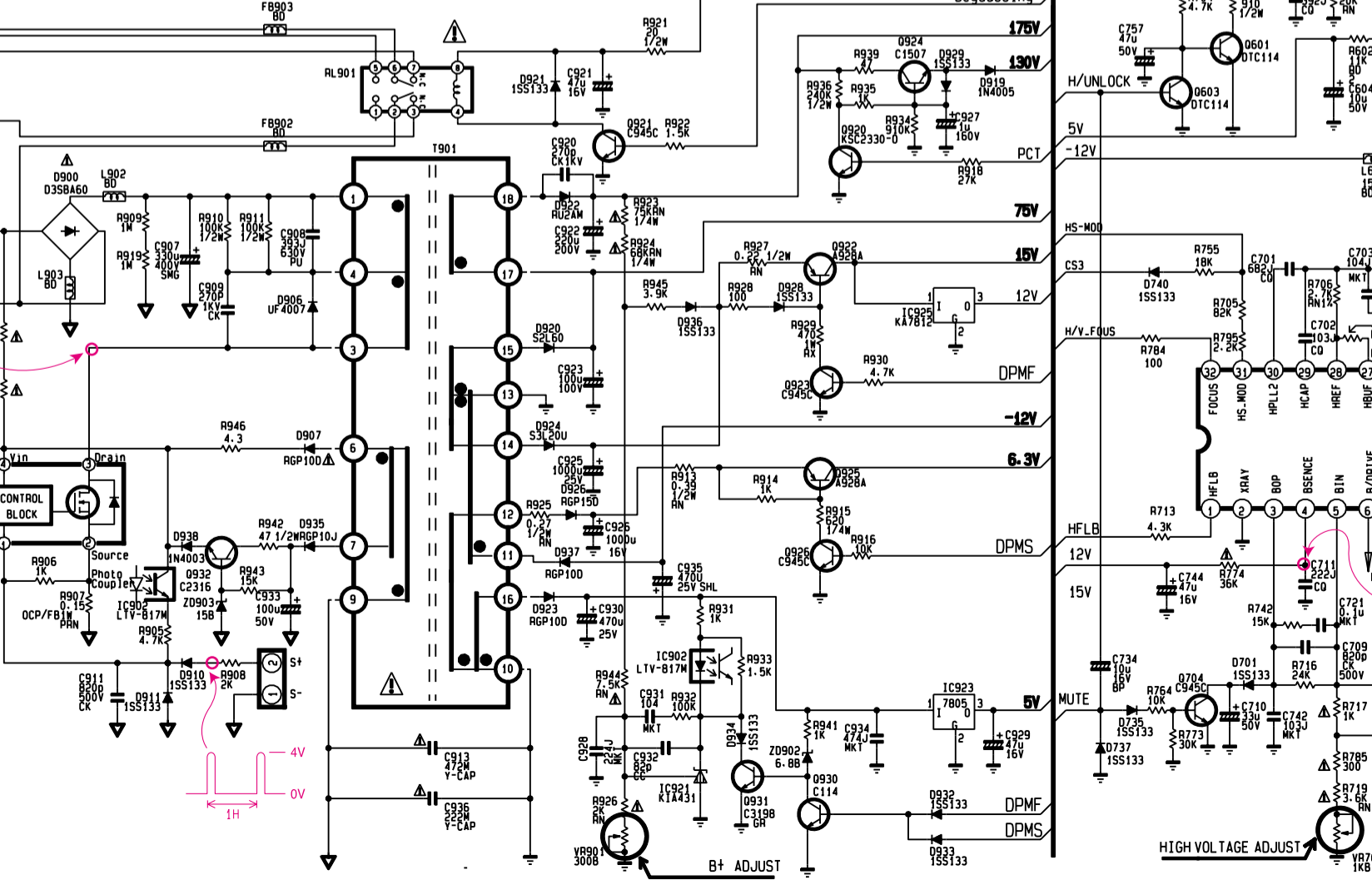
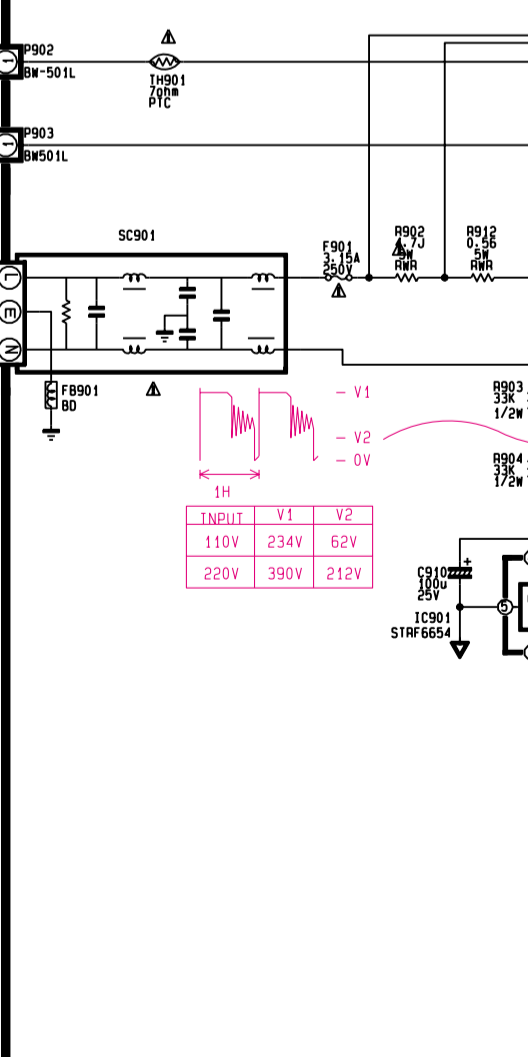
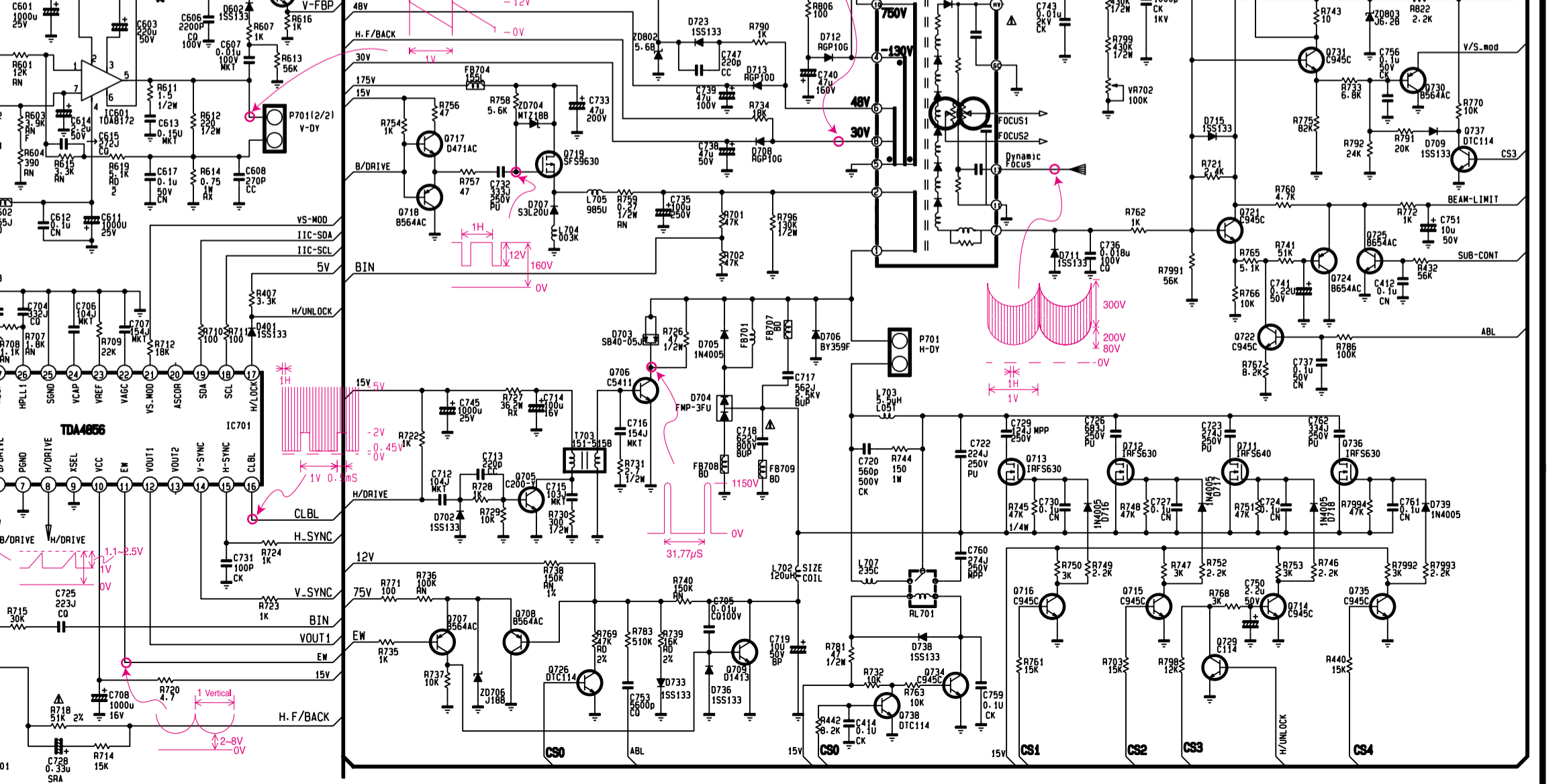
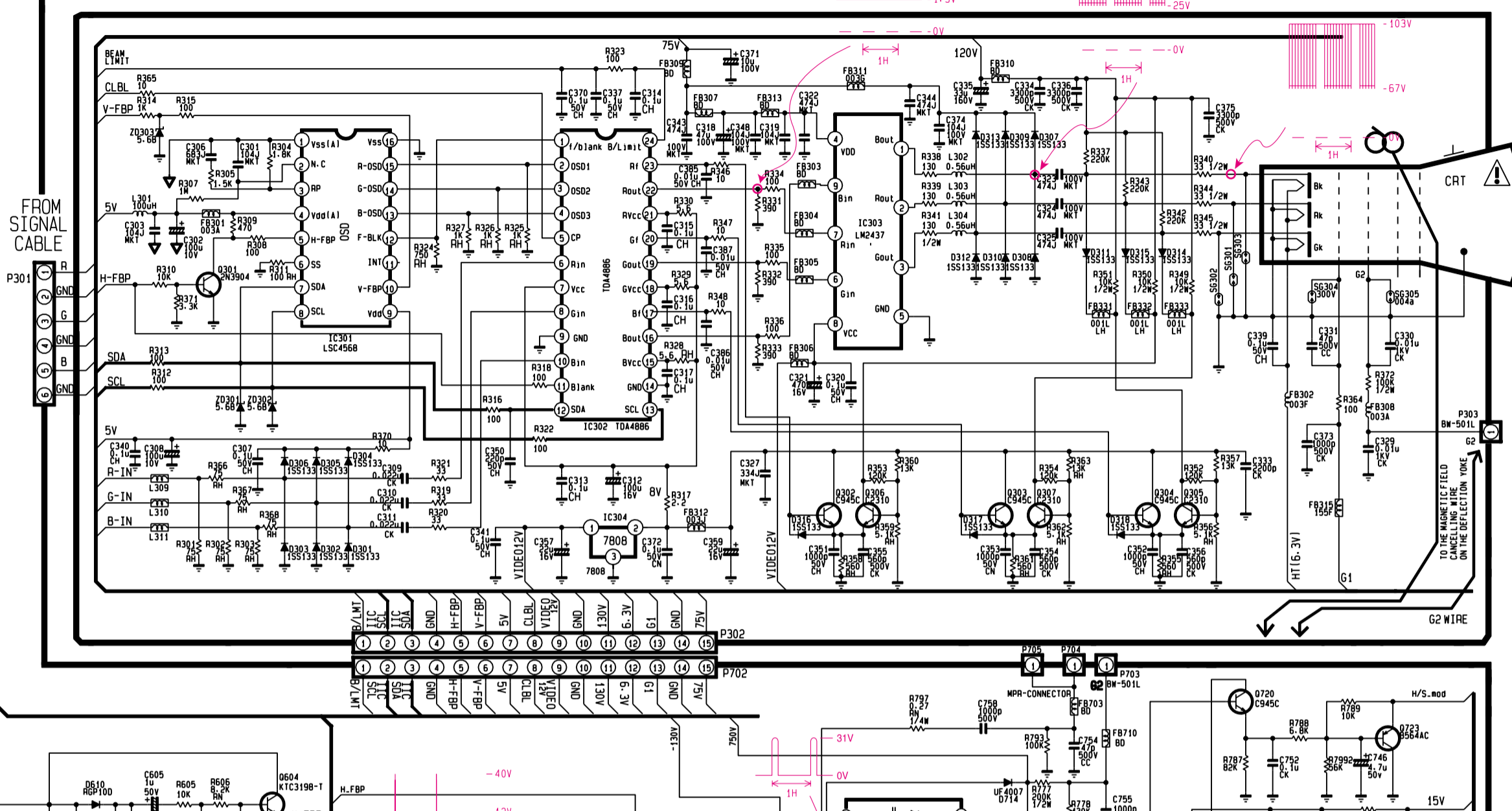
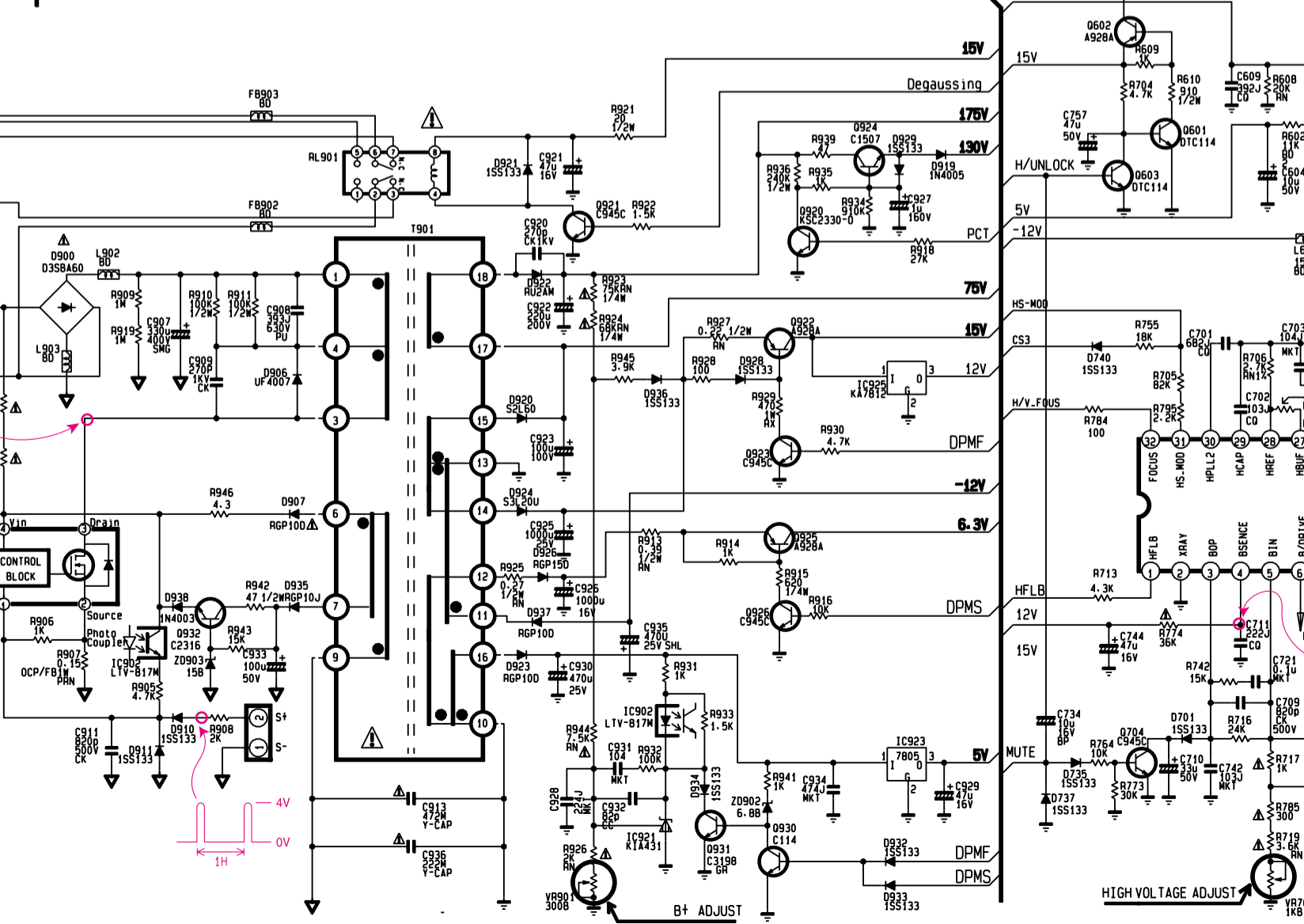
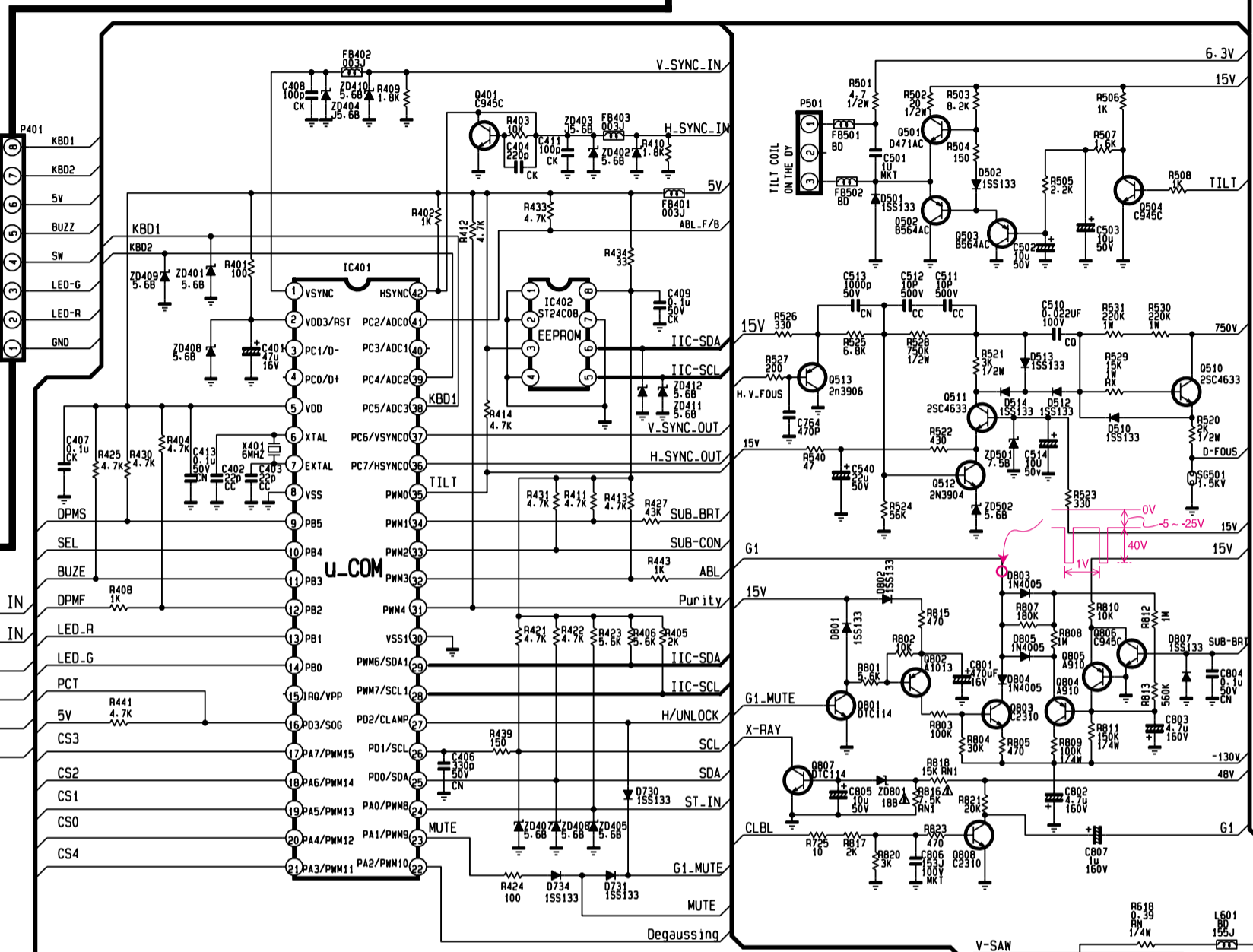
EXPLODED VIEW PARTS LIST

Ref. No.	Part No.	Description	Q'ty	Material
1	3091TKC035C	CABINET ASS'Y	1	LGC LUPOY GN5001TF 85964
	3091TKC035D	CABINET ASS'Y, <b>GoldStar</b> LOGO		
2	2423GCB41K	CDT, M41QBF423X05N6LD	1	
3	339-002D	SCREW ASS'Y, PHP+5x30BP+GW18	4	
4	6140TC2007A	DEGAUSSING COIL	1	
5	6174Z-1031A	FBT, FMTC71-M1031A	1	
6	407-S29H	PLATE, HEAT SINK FOR Q719	1	AL
7	6200TJB001E	AC SOCKET	1	
8	407-T73D	PLATE, HEAT SINK FOR IC901	1	AL
9	407-T68D	PLATE, HEAT SINK FOR Q711	1	
10	407-T98W	PLATE, HEAT SINK FOR IC601	1	AL
11-1	4920TKC003Z	PLATE, HEAT SINK FOR D704, Q709, Q706	1	AL
11-2	4920TKC003Q	PLATE, HEAT SINK FOR D704, Q709, Q706	1	AL
12	4950TKK171A	METAL REAR	1	SBHG1-A (t=1.0)
13	4810TKM037B	MAIN BRACKET	1	LGC LUPOY GN5001TF
14	332-102H	SCREW, PTP+4x40	2	
15	4814TKK077A	SHIELD BOTTOM	1	SBHG1-A
16	6871TST133B	CONTROL PCB ASS'Y	1	
17	3809TKC015M	BACK COVER ASS'Y	1	LGC LUPOY GN5001TF 85964
18-1	3550TKK061A	SCREW COVER (RIGHT)	1	LGC ABS
18-2	3550TKK061B	SCREW COVER (LEFT)	1	LGC ABS
19	332-102P	SCREW, PTP+4x30	4	
20	3043TKK040G	TILT SWIVEL ASS'Y	1	LGC ABS HF350 85964
A	6871TMT130B	MAIN PCB ASS'Y	1	
B	6871TVT121B	VIDEO PCB ASS'Y	1	
C	3313T17036B	CHASSIS TOTAL ASS'Y	1	

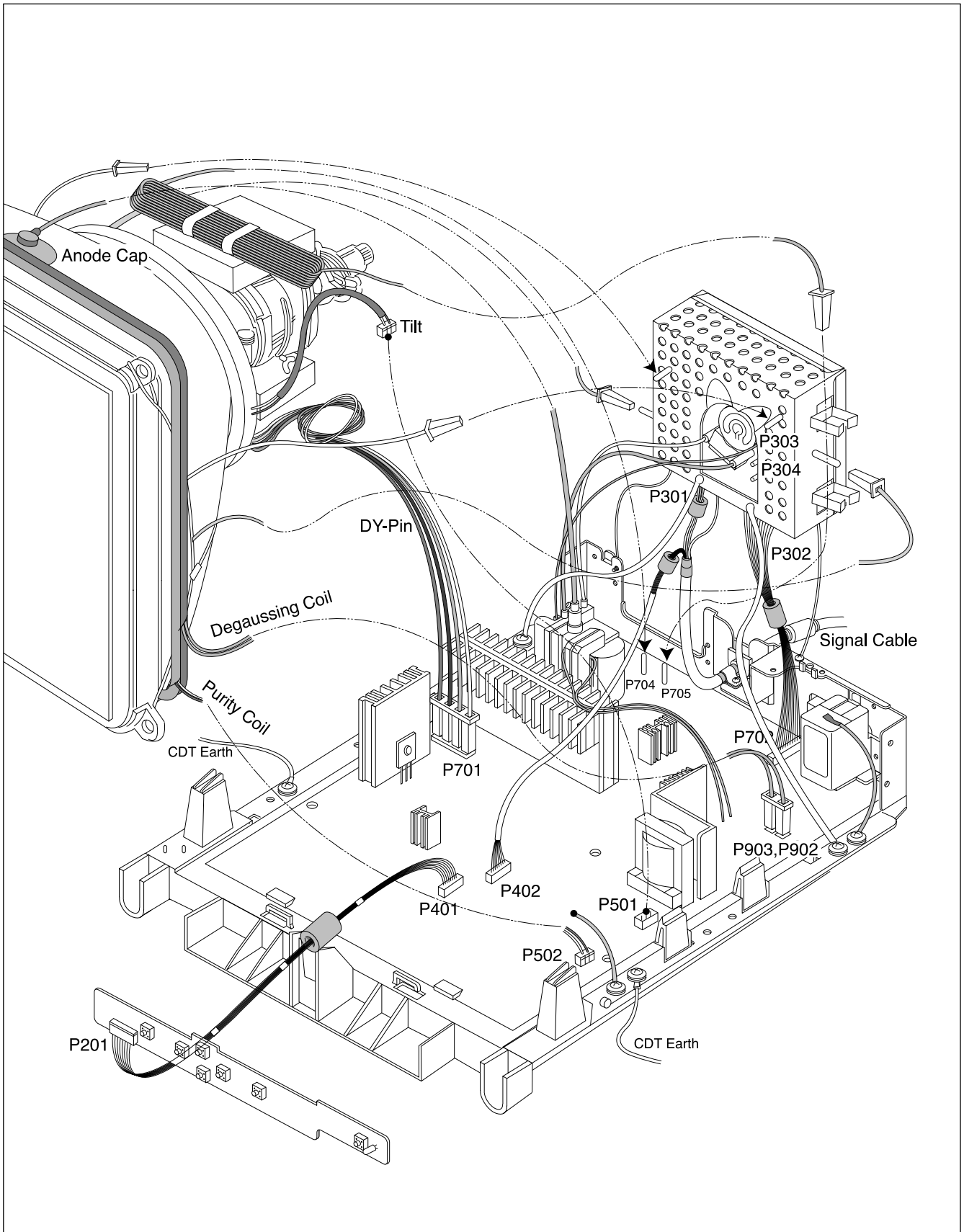


**IMPORTANT SAFETY NOTICE**  
 THE  $\Delta$  SYMBOL MARK OF THIS SCHEMATIC DIAGRAM INCORPORATES SPECIAL FEATURES IMPORTANT FOR PROTECTION FROM X-RADIATION, FIRE AND ELECTRICAL SHOCK HAZARDS. WHEN SERVICING, IT IS ESSENTIAL THAT ONLY MANUFACTURER'S SPECIFIED PARTS BE USED FOR THE CRITICAL COMPONENTS IN THE  $\Delta$  SYMBOL MARK OF THE SCHEMATIC.

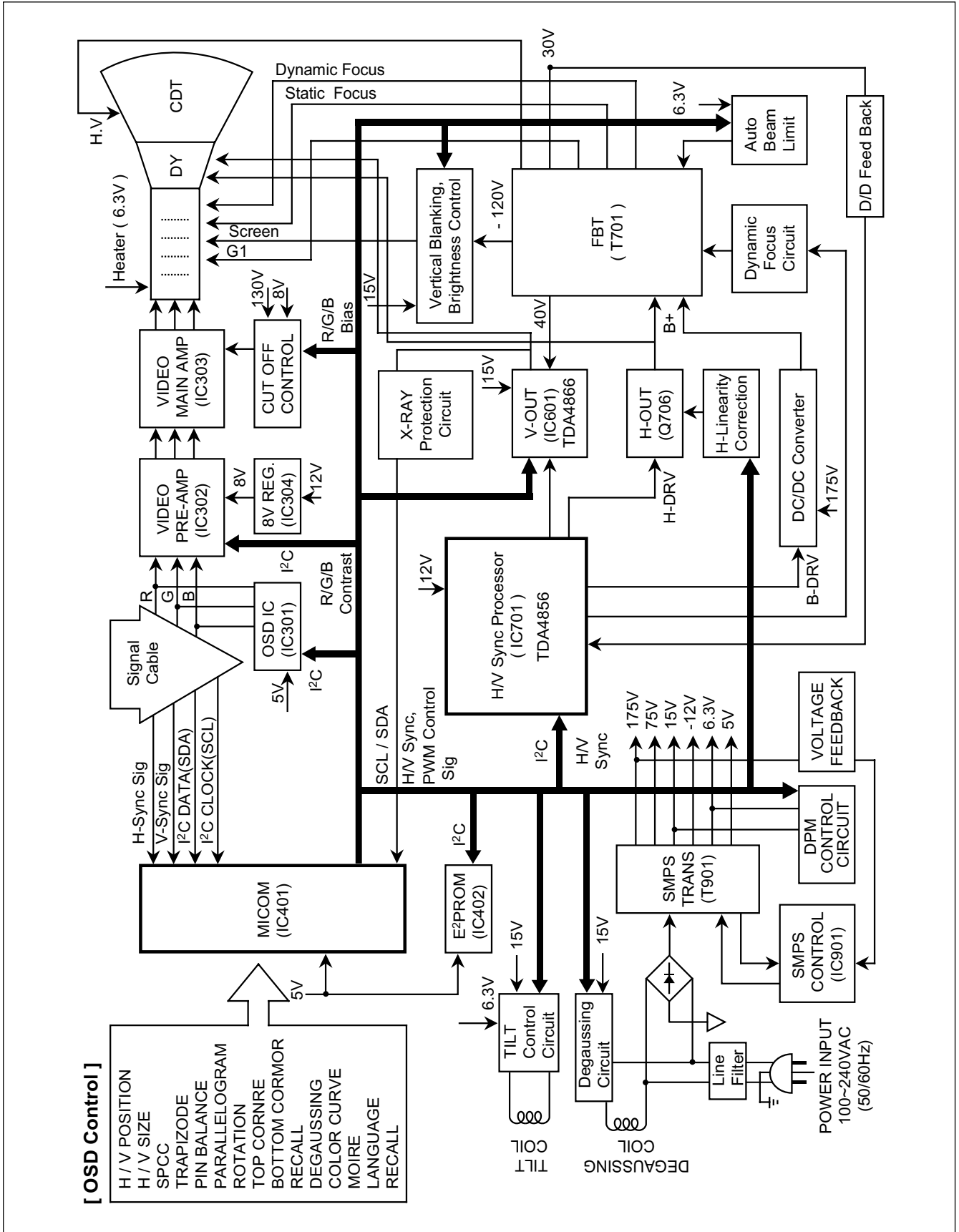
SCHEMATIC	DIAGRAM
Model	FB775B
Part NO.	3854T17040A
DATE	1999.09.30
Rev NO.	1.0



# WIRING DIAGRAM



# BLOCK DIAGRAM



# DESCRIPTION OF BLOCK DIAGRAM

## 1. SMPS(Switching Mode Power Supply)

When you turn on the power switch, the operating procedure is as follows:

- 1) The AC line voltage is rectified by the bridge diodes D901, D902, D903 and D904.
- 2) The control IC(IC901) starts switching and generates switching pulses in the primary turns of the SMPS transformer (T901).
- 3) The switching pulses of the primary turns are induced the secondary turns of the transformer by the turn ratio. These pulses are rectified by each diode (D920, D922, D923, D924 and D926) .
- 4) Each rectified DC voltage (75V, 175V, 5V, 15V and 6.3V) is supplied to the main circuit.

## 2. Over Voltage Protection Circuit

When the input voltage of IC901 Vin(pin 4) is more than 22.5V(typical), all the secondary voltages of the SMPS transformer (T901) down to low value.

## 3. Display Power Management Circuit

- 1) Stand-by and Suspend mode.  
When no input of horizontal or vertical sync, Q923 and Q930, are turned on and Q920, Q926 are turned off. Then input power consumption is below 15 watts.
- 2) OFF mode  
When no input of horizontal and vertical sync, Q923, Q926, Q930 are turned off and Q920 is turned on. Then input power consumption is below 5 watts.

## 4. X-ray Protection Circuit

When the high voltage reaches to 29kV in an abnormal case, the high voltage detector circuit, R734, R717, R718, R719, R785, VR701, IC701 start operation to shut down high voltage circuit.

## 5. Microprocessor Control Circuit.

The operating procedure is as follows :

- 1) Horizontal and Vertical sync signals are supplied to the microprocessor(IC401).
- 2) Microprocessor(IC401) discriminates the operating mode from the sync polarity and resolution.
- 3) After microprocessor reads these adjusted mode data stored at EEPROM, it controls operating mode data through IIC.
- 4) Users can control screen condition by the OSD, SET, UP, DOWN, RIGHT and LEFT buttons.

## 6. D/D Convert Circuit.

To obtain constant high voltage, this circuit supplies controlled DC voltage for FBT and horizontal deflection circuit according to the horizontal sync frequency.

## 7. Horizontal and Vertical Sync Processor Circuit.

The horizontal and vertical sync processor IC(IC701) has a sync detector, a saw-tooth generator, and drive function. So output horizontal and vertical drive signal control screen distortions.

## 8. Horizontal linearity Circuit.

This circuit corrects the horizontal linearity for each horizontal sync frequency.

## 9. Horizontal drive and Output Circuit.

This circuit is a horizontal deflection amplifier for raster scan.

## 10. ABL Circuit.

This circuit limits the beam-current for the reliability of the CDT.

## 11. Vertical Output Circuit.

This circuit takes the vertical ramp wave from the TDA4856(IC701) and performs the vertical deflection by supplying the saw-tooth wave current to the vertical deflection yoke.

## 12. Blanking and Brightness Control Circuit.

Blanking circuit eliminates the retrace line by supplying a negative pulse wave to the G1 of the CDT. Brightness control circuit is used for control of the screen brightness by changing the DC level of the G1.

## 13. Video Processor Circuit.

Video processor circuit consists of the video drive output block. The video drive IC(IC302) receives the video signal from PC. The gain of each channel is controlled by the voltage of contrast pin. The cut-off circuit compensate different voltage of each channel between the cathode and the G1 of the CDT.

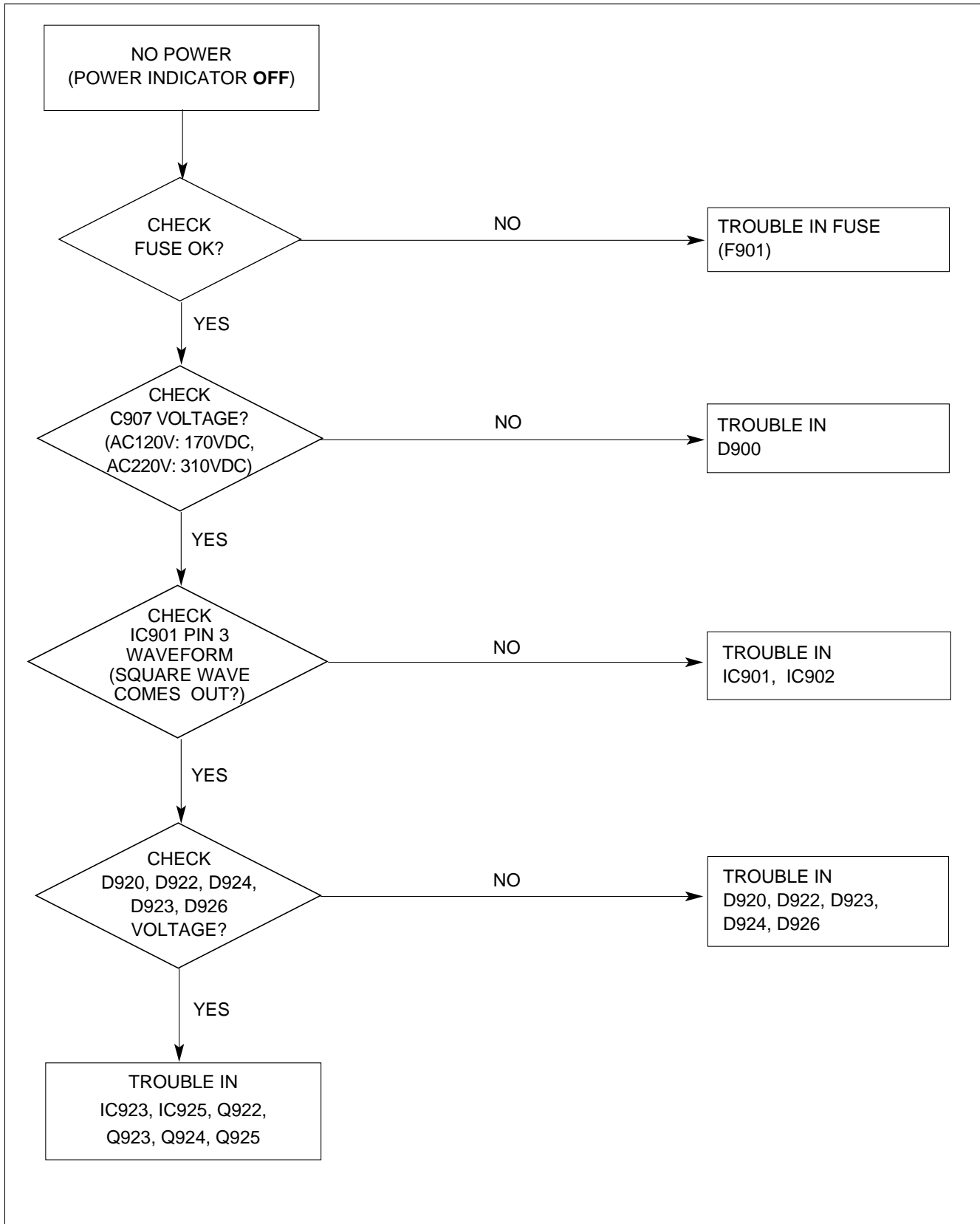
## 14. OSD (On-Screen-Display) Circuit.

This circuit displays on the screen information of the monitor's status.

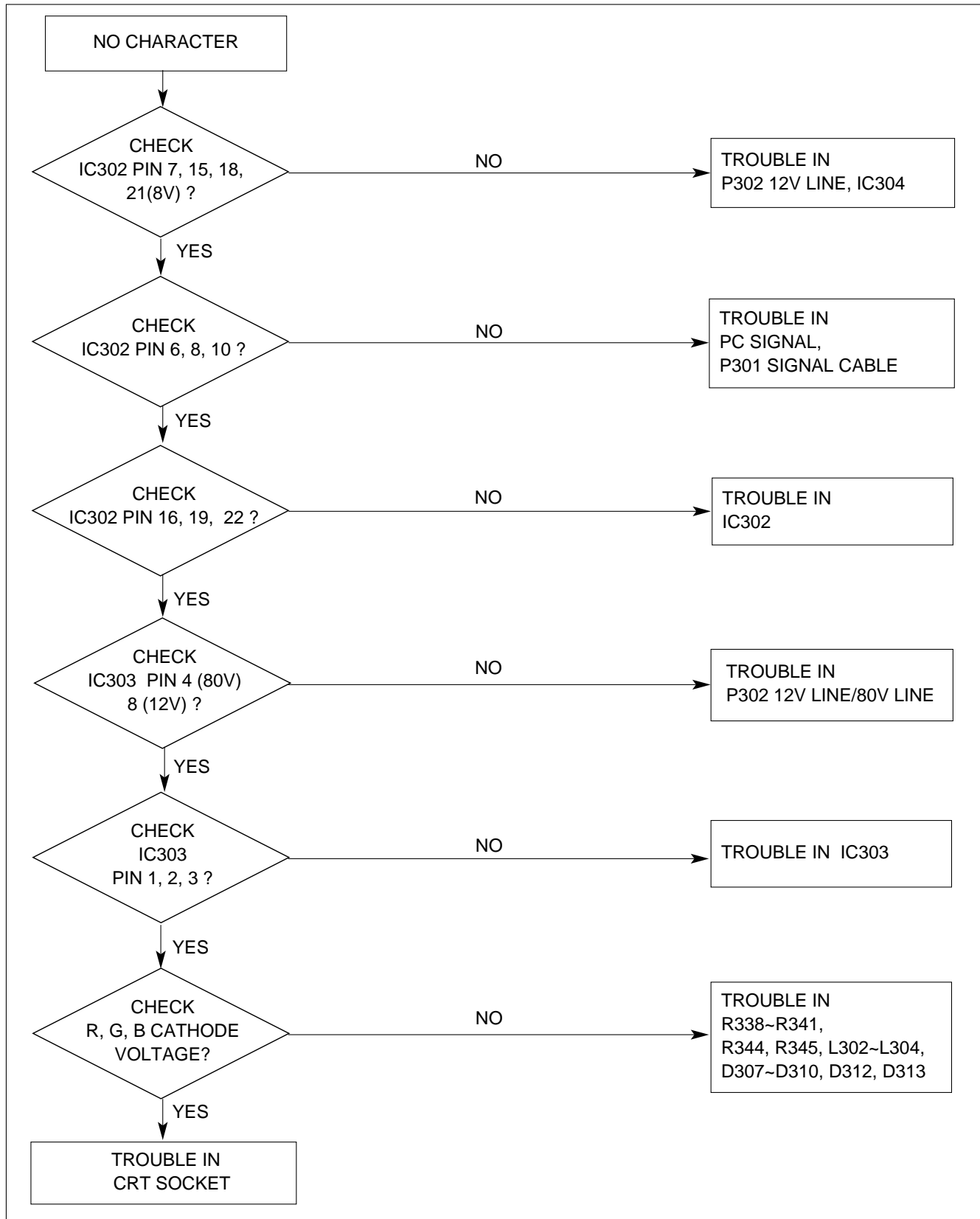


# TROUBLESHOOTING GUIDE

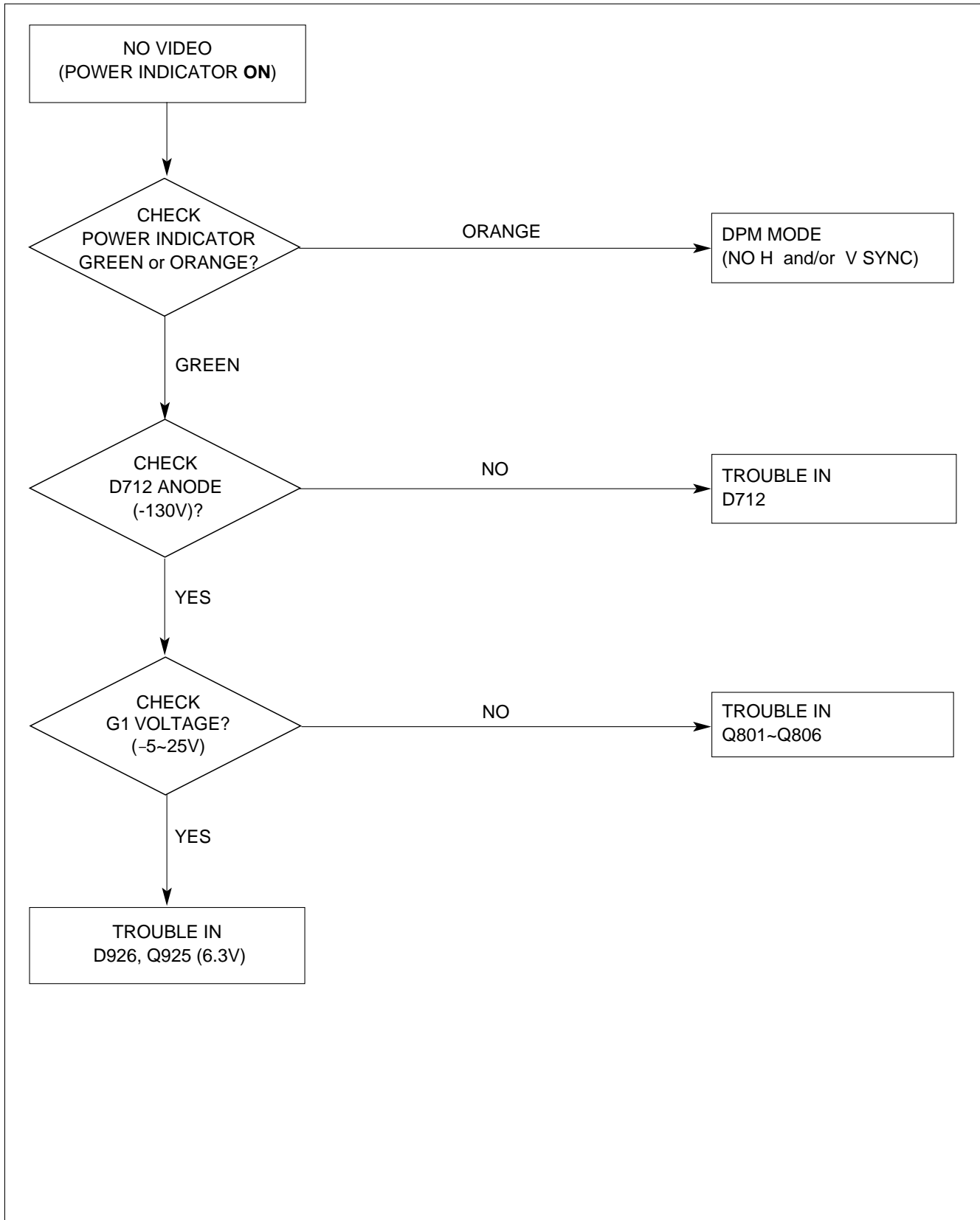
## 1. NO POWER



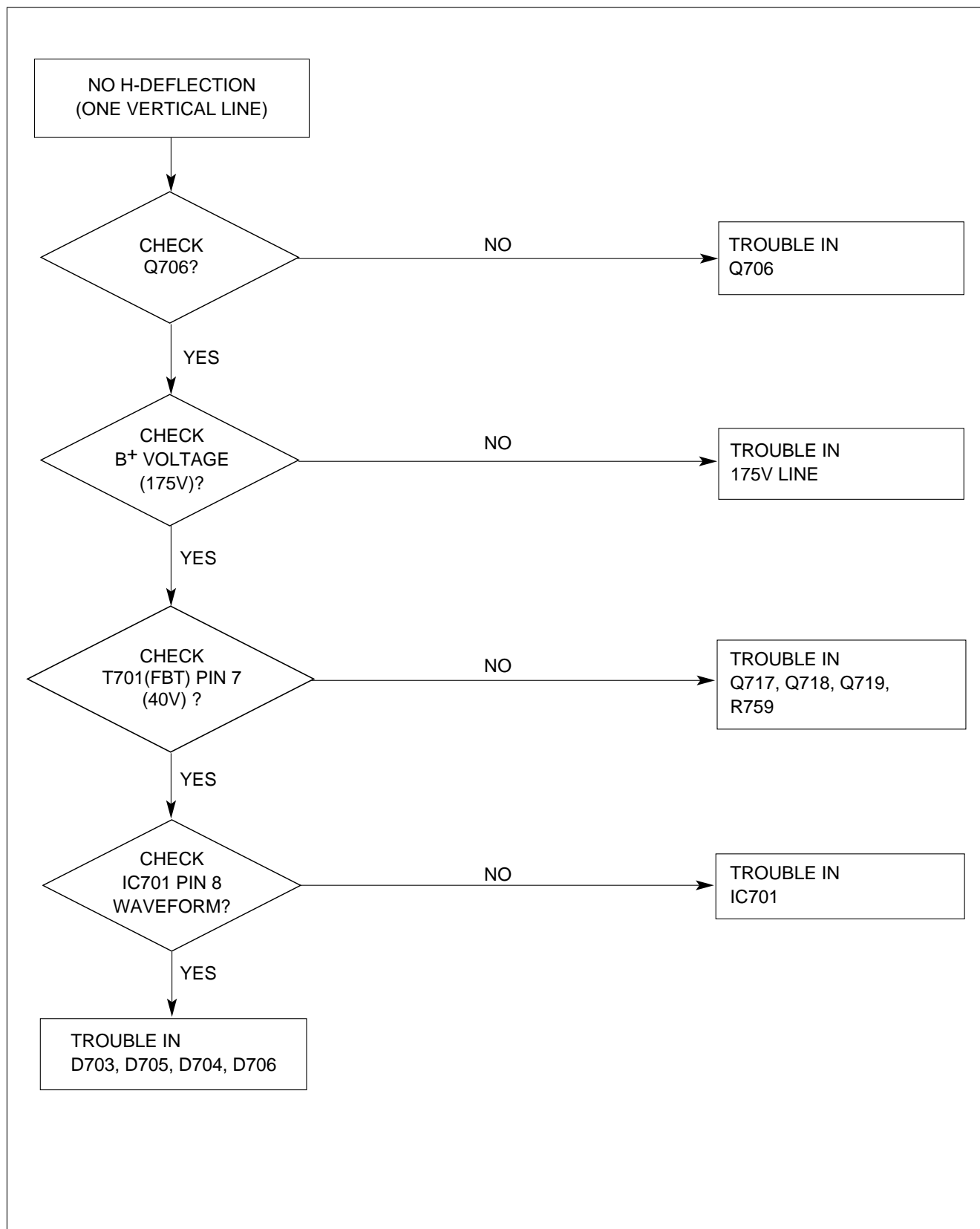
## 2. NO CHARACTER



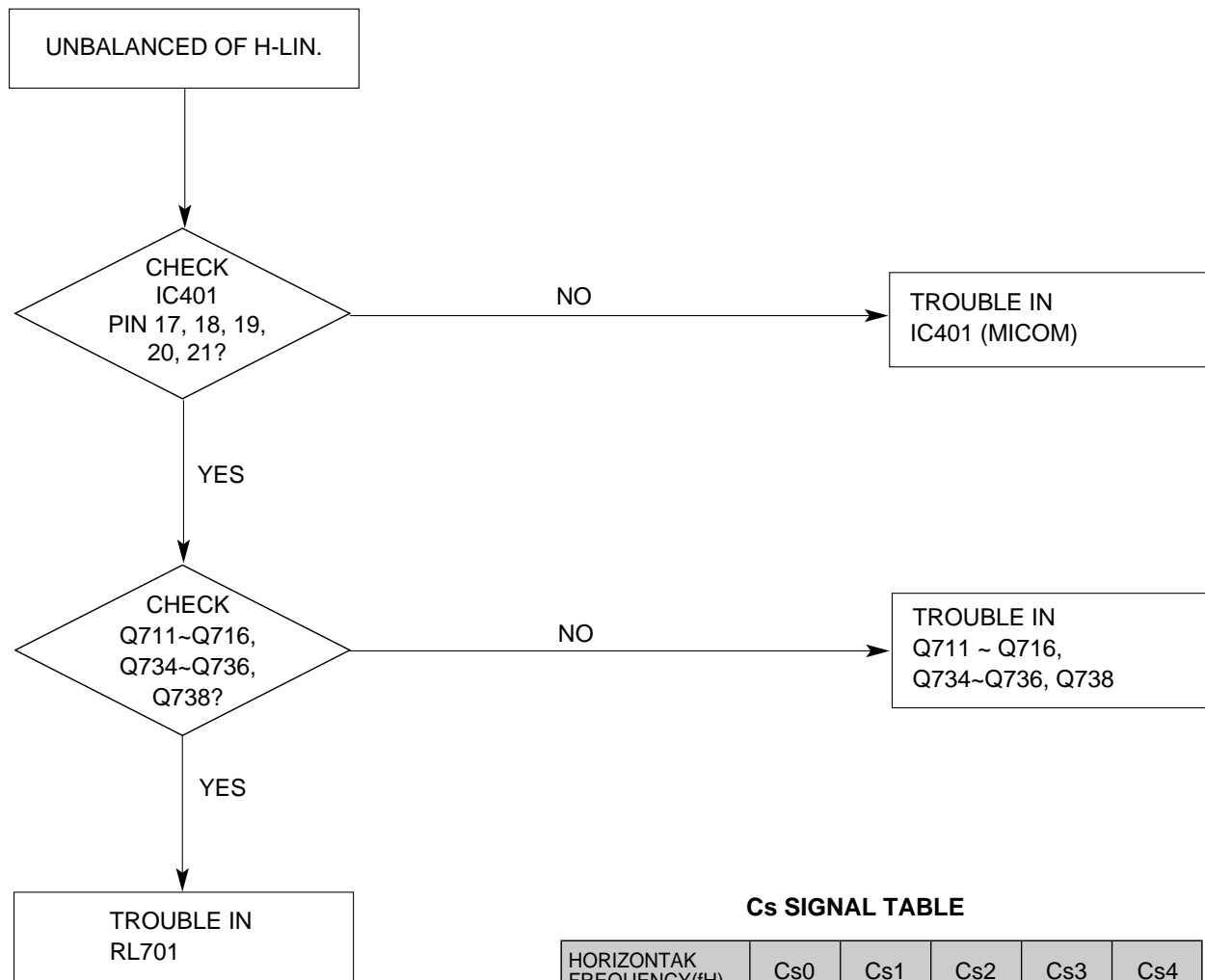
### 3. NO RASTER



#### 4. NO HORIZONTAL DEFLECTION



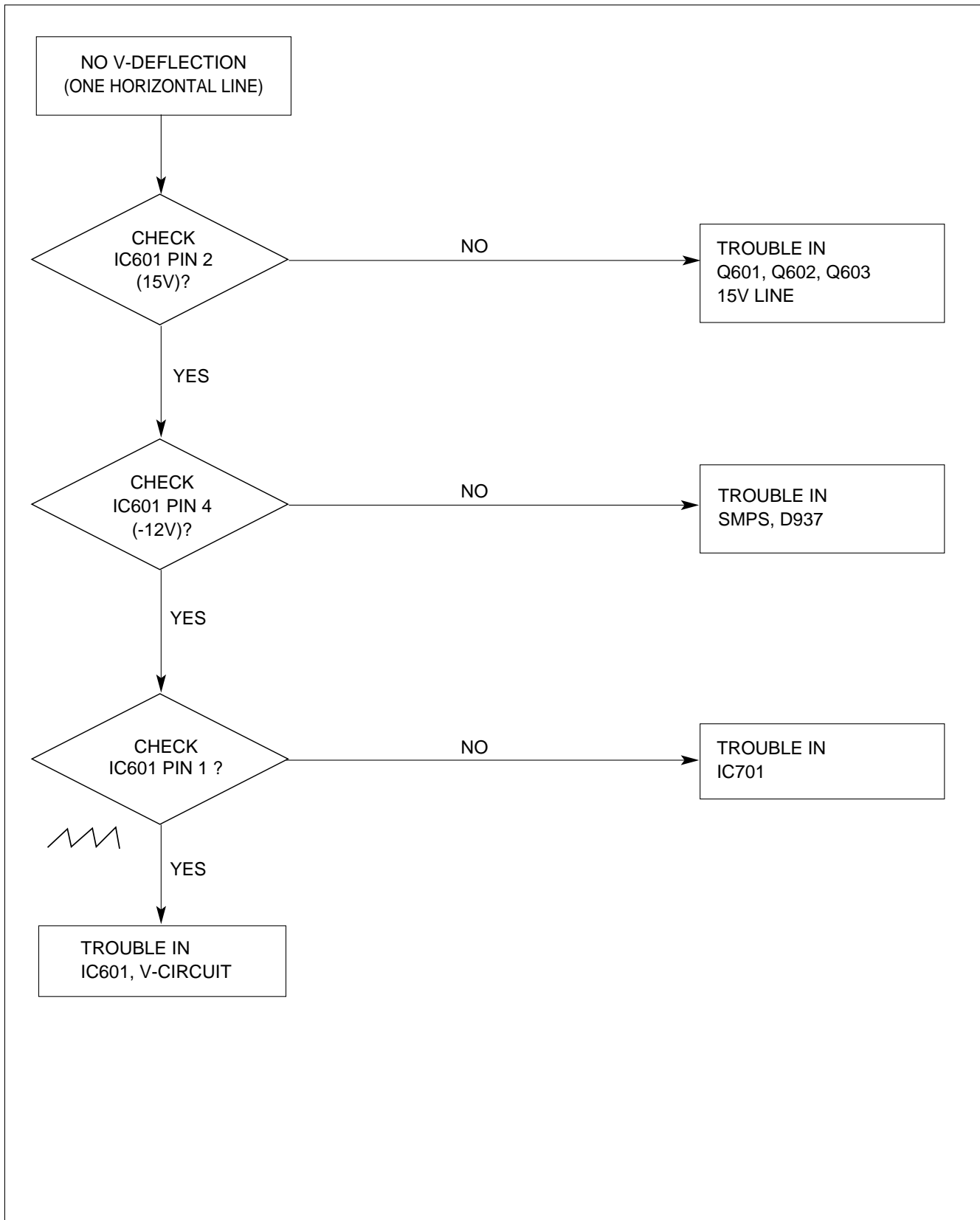
## 5. TROUBLE IN H-LINEARITY



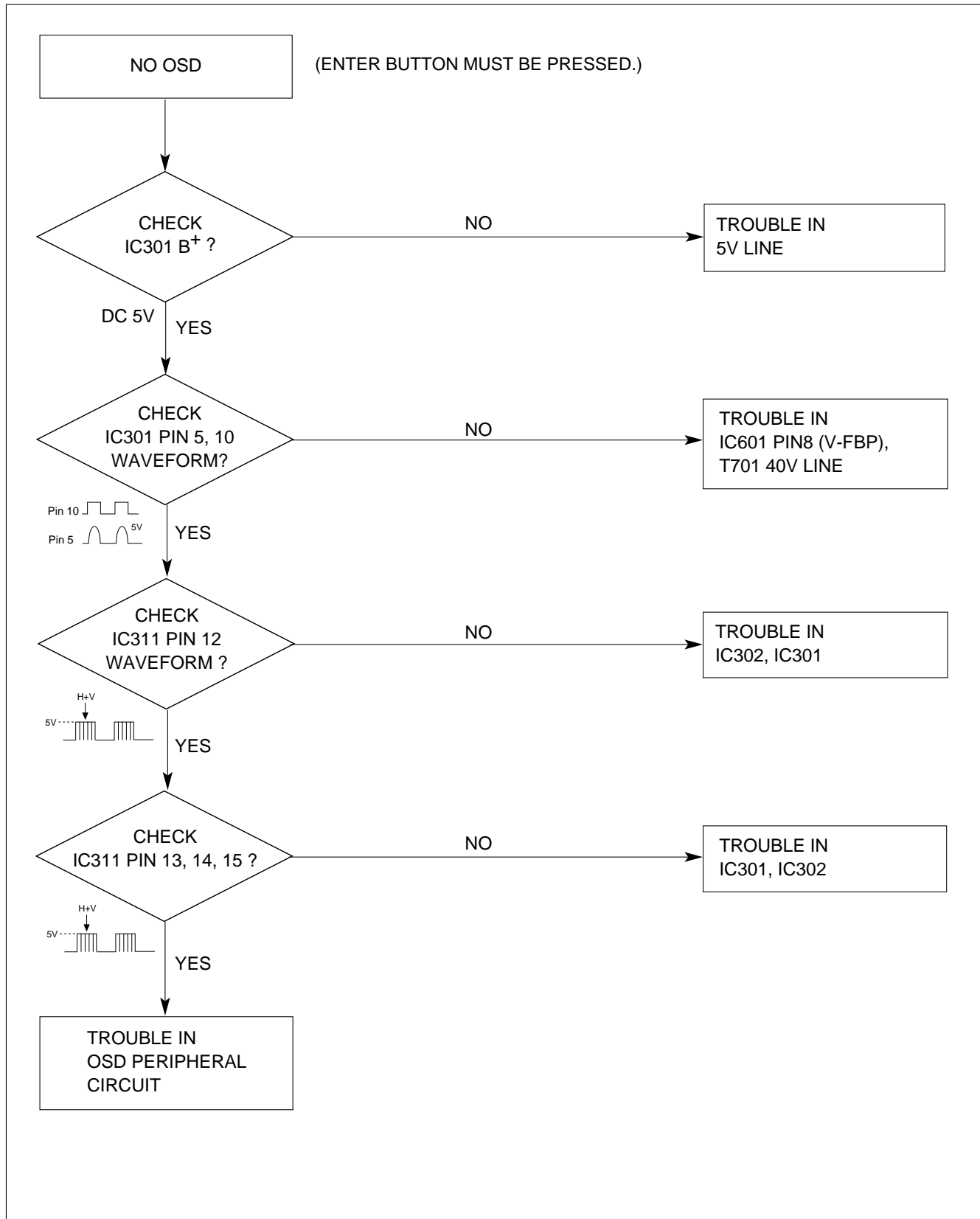
**Cs SIGNAL TABLE**

HORIZONTAL FREQUENCY(fH)	Cs0	Cs1	Cs2	Cs3	Cs4
66K ~ 39K	H	H	H	H	H
63K ~ 66K	H	H	L	H	H
57K ~ 63K	H	L	H	H	H
49K ~ 57K	H	L	L	H	H
46K ~ 49K	L	H	H	H	H
43K ~ 46K	L	L	H	H	H
36K ~ 43K	L	H	H	L	H
33K ~ 36K	L	H	H	L	L
30K ~ 33K	L	L	L	L	L

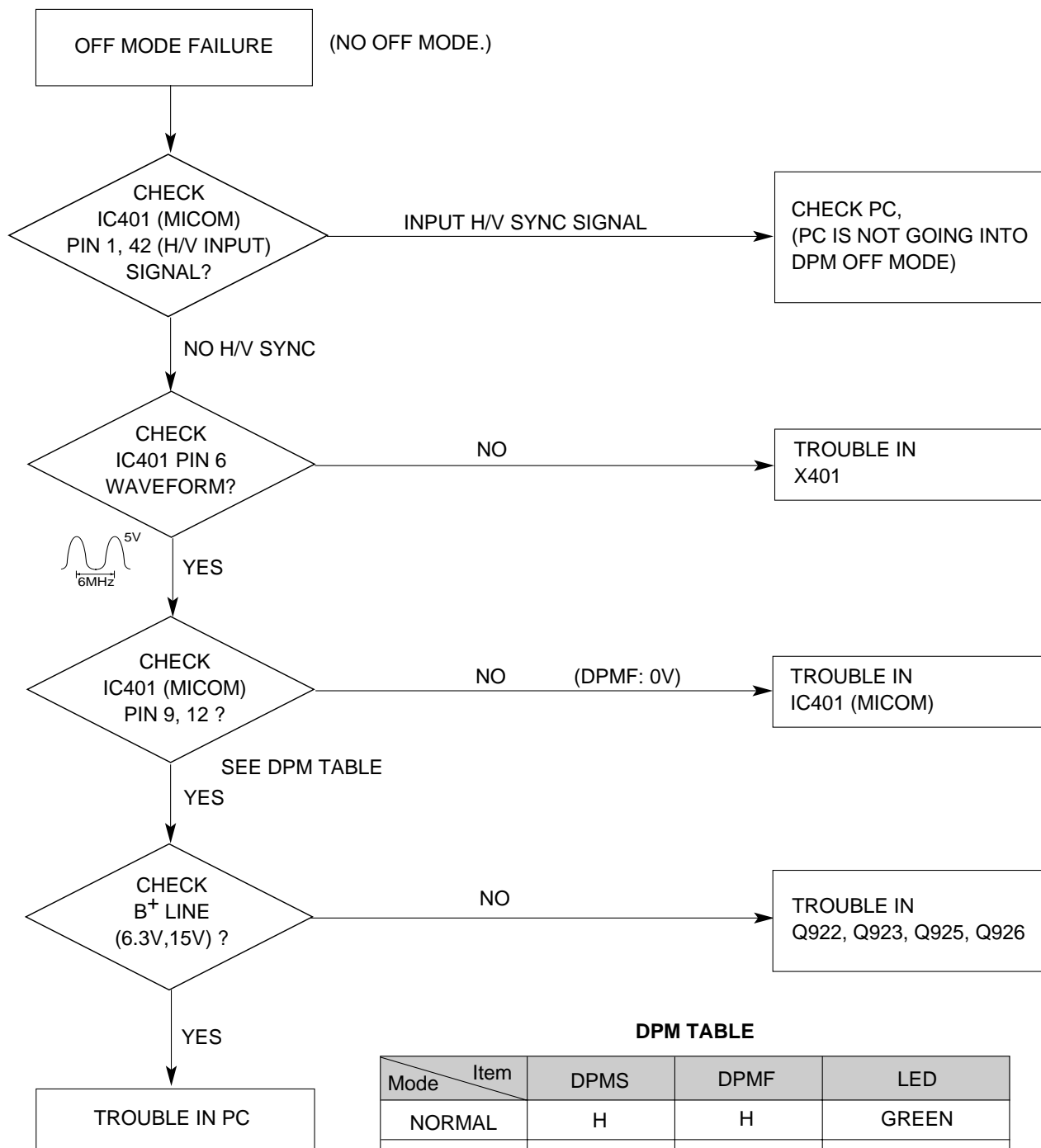
## 6. NO VERTICAL DEFLECTION



## 7. TROUBLE IN OSD



## 8. TROUBLE IN DPM

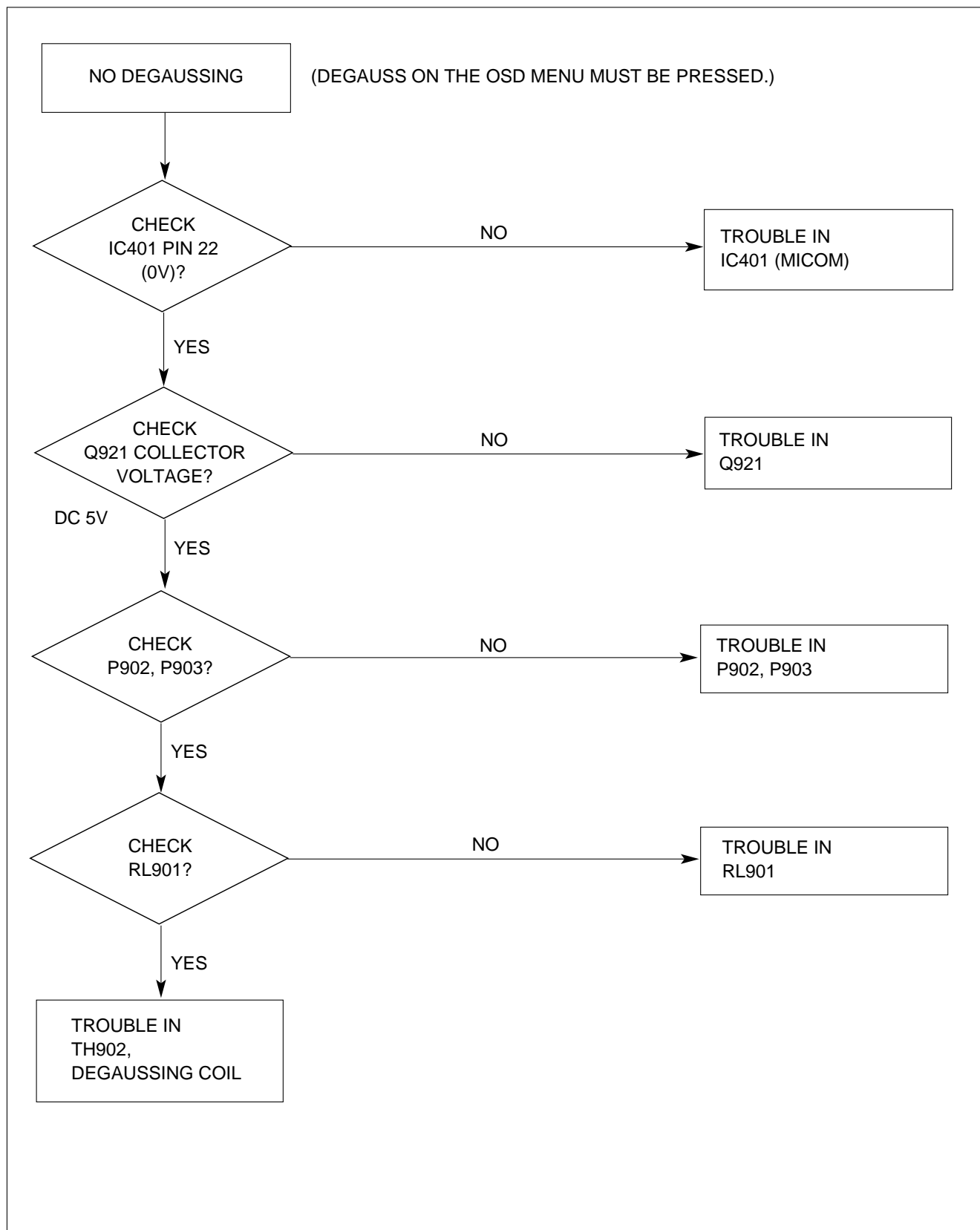


**DPM TABLE**

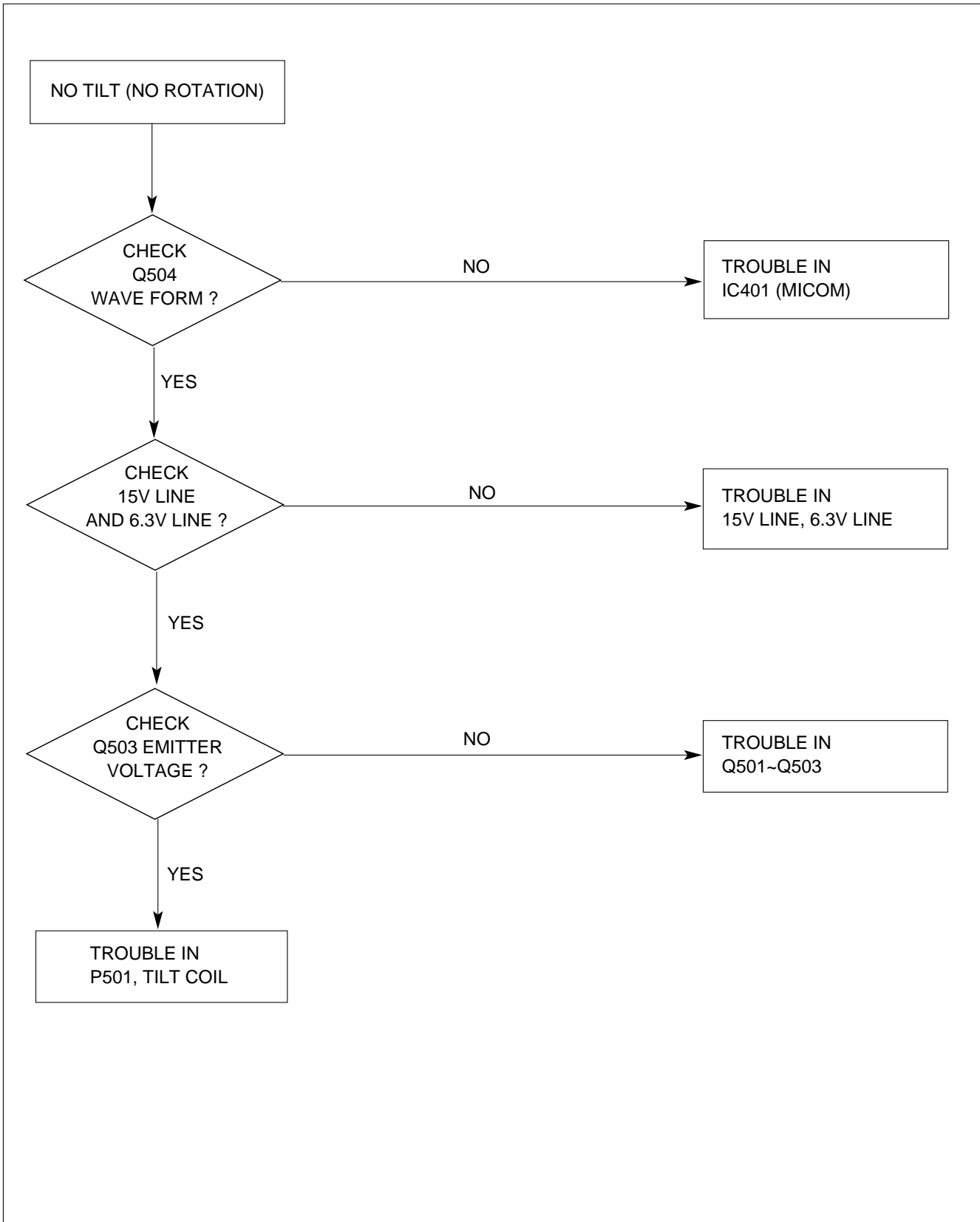
Mode \ Item	DPMS	DPMF	LED
NORMAL	H	H	GREEN
STAND-BY	H	L	ORANGE
SUSPEND	H	L	ORANGE
OFF	L	L	ORANGE



## 9. NO DEGAUSSING



## 10. NO TILT (NO ROTATION)



## REPLACEMENT PARTS LIST

**CAUTION:** BEFORE REPLACING ANY OF THESE COMPONENTS,  
 READ CAREFULLY THE **SAFETY PRECAUTIONS** IN THIS MANUAL.

\* NOTE : **S** SAFETY Mark **AL** ALTERNATIVE PARTS

MODEL: FLATRON 775FT				DATE: 1999. 10. 1.	
*S	*AL	LOC. NO.	PART NO.	DESCRIPTION / SPECIFICATION	REMARK
<b>MAIN BOARD</b>					
<b>CAPACITORS</b>					
		C401	0CE4766F618	CAPACITOR, AL.ELECTROLYTIC, 47U SMS 16V M FM5 TP5	
		C402	0CC2200K405	CAPACITOR, CERAMIC (TEMP. COMPENSATE), 22P 50V J SL TP	
		C403	0CC2200K405	CAPACITOR, CERAMIC (TEMP. COMPENSATE), 22P 50V J SL TP	
		C404	0CK2210K515	CAPACITOR, CERAMIC (HIGH DIELECTRIC), 220P 50V K B TS	
		C406	0CN3310K519	CAPACITOR, TUBULAR(HIGH DIELEC), 330P 50V K B TA52	
		C407	0CK1040K945	CAPACITOR, CERAMIC (HIGH DIELECTRIC), 0.1UF 50V Z F TR	
		C408	0CK1010K515	CAPACITOR, CERAMIC (HIGH DIELECTRIC), 100PF 50V K B TR	
		C409	0CK1040K945	CAPACITOR, CERAMIC (HIGH DIELECTRIC), 0.1UF 50V Z F TR	
		C411	0CK1010K515	CAPACITOR, CERAMIC (HIGH DIELECTRIC), 100PF 50V K B TR	
		C412	0CN1040K949	CAPACITOR, TUBULAR(HIGH DIELEC), 0.1M 50V Z F TA52	
		C413	0CN1040K949	CAPACITOR, TUBULAR(HIGH DIELEC), 0.1M 50V Z F TA52	
		C414	0CK1040K945	CAPACITOR, CERAMIC (HIGH DIELECTRIC), 0.1UF 50V Z F TR	
		C501	181-288M	CAPACITOR, POLYESTER, MKT 63V 105KTR PHS15105	
		C502	0CE1066K618	CAPACITOR, AL.ELECTROLYTIC, 10M SMS 50V M FM5 TP(5)	
		C503	0CE1066K618	CAPACITOR, AL.ELECTROLYTIC, 10M SMS 50V M FM5 TP(5)	
		C506	0CE1066K618	CAPACITOR, AL.ELECTROLYTIC, 10M SMS 50V M FM5 TP(5)	
		C507	0CE1066K618	CAPACITOR, AL.ELECTROLYTIC, 10M SMS 50V M FM5 TP(5)	
		C508	181-288M	CAPACITOR, POLYESTER, MKT 63V 105KTR PHS15105	
		C510	0CQ2231N419	CAPACITOR, POLYESTER, 0.022UF 100V J PE NI TP	
		C511	0CC1000W105	CAPACITOR, CERAMIC (TEMP. COMPENSATE), 10PF 500V D SL TR	
		C512	0CC1000W105	CAPACITOR, CERAMIC (TEMP. COMPENSATE), 10PF 500V D SL TR	
		C513	0CN1020K519	CAPACITOR, TUBULAR(HIGH DIELEC), 1000P 50V K B TA52	
		C514	0CE1066K618	CAPACITOR, AL.ELECTROLYTIC, 10M SMS 50V M FM5 TP(5)	
		C540	0CE2266K618	CAPACITOR, AL.ELECTROLYTIC, 22M SMS 50V M FM5 TP(5)	
		C601	0CE108CH618	CAPACITOR, AL.ELECTROLYTIC, 1000UF SHL 25V M FL TP5	
		C603	0CE227CK618	CAPACITOR, AL.ELECTROLYTIC, 220U SHL 50V M FL TP5	
		C604	0CE1066K618	CAPACITOR, AL.ELECTROLYTIC, 10M SMS 50V M FM5 TP(5)	
		C605	0CE105CK638	CAPACITOR, AL.ELECTROLYTIC, 1UF SHL,SD 50V M FM5 TP 5	
		C606	0CQ2221N419	CAPACITOR, POLYESTER, 2200PF 100V J PE NI TP	
		C607	181-288N	CAPACITOR, POLYESTER, MKT 100V 103JTR PHS86103	
		C608	0CC2710K405	CAPACITOR, CERAMIC (TEMP. COMPENSATE), 270P 50V J SL TP	
		C609	0CQ3921N419	CAPACITOR, POLYESTER, 0.0039UF D 100V J PE NI TP	
		C611	0CE108CH618	CAPACITOR, AL.ELECTROLYTIC, 1000UF SHL 25V M FL TP5	
		C612	0CN1040K949	CAPACITOR, TUBULAR(HIGH DIELEC), 0.1M 50V Z F TA52	
		C613	181-288Q	CAPACITOR, POLYESTER, MKT 100V 154JTR PHS26154	
		C614	0CE2256K618	CAPACITOR, AL.ELECTROLYTIC, 2.2U SMS 50V M FM5 TP5	
		C615	0CQ2721N419	CAPACITOR, POLYESTER, 2700PF 100V J PE NI TP	
		C617	0CN1040K949	CAPACITOR, TUBULAR(HIGH DIELEC), 0.1M 50V Z F TA52	
		C701	0CQ6821N419	CAPACITOR, POLYESTER, 6800PF 100V J PE NI TP	
		C702	0CZZTFT001M	CAPACITOR, ECQB1H103JM3 103J 50V TP5.0 MATSUSHITA	
	or	C702	181-288N	CAPACITOR, POLYESTER, MKT 100V 103JTR PHS86103	
		C703	0CZZTFT001Z	CAPACITOR, ECQB1H104JM3 104J 50V TP5.0 MATSUSHITA	
	or	C703	181-288B	CAPACITOR, POLYESTER, MKT 100V 104JTR PHS26104	
		C704	0CZZTFT001F	CAPACITOR, ECQB1H332JM3 332J 50V TP5.0 MATSUSHITA	
	or	C704	0CQ3321N419	CAPACITOR, POLYESTER, 3300P 100V J POLY NI TP	
		C705	0CQ1031N419	CAPACITOR, POLYESTER, 0.01U 100V J POLY NI TP	
		C706	0CZZTFT001Z	CAPACITOR, ECQB1H104JM3 104J 50V TP5.0 MATSUSHITA	
	or	C706	181-288B	CAPACITOR, POLYESTER, MKT 100V 104JTR PHS26104	
		C707	0CZZTFT002B	CAPACITOR, ECQV1H154JZ3 154J 50V TP5.0 MATSUSHITA	
	or	C707	181-288Q	CAPACITOR, POLYESTER, MKT 100V 154JTR PHS26154	
		C708	0CE108CF618	CAPACITOR, AL.ELECTROLYTIC, 1000UF SHL 16V M FL TP5	
		C709	0CK8210W515	CAPACITOR, CERAMIC (HIGH DIELECTRIC), 820P 500V K B TS	
		C710	0CE3366K618	CAPACITOR, AL.ELECTROLYTIC, 33M SMS 50V M FM(5) TP(5)	
		C711	0CZZTFT001D	CAPACITOR, ECQB1H222JM3 222J 50V TP5.0 MATSUSHITA	
	or	C711	0CQ2221N419	CAPACITOR, POLYESTER, 2200PF 100V J PE NI TP	
		C712	0CZZTFT001Z	CAPACITOR, ECQB1H104JM3 104J 50V TP5.0 MATSUSHITA	

MODEL: FLATRON 775FT				DATE: 1999. 10. 1.	
*S	*AL	LOC. NO.	PART NO.	DESCRIPTION / SPECIFICATION	REMARK
	or	C712	181-288B	CAPACITOR, POLYESTER, MKT 100V 104JTR PHS26104	
		C713	0CC2210K415	CAPACITOR, CERAMIC (TEMP. COMPENSATE), 220P 50V J NPO TP	
		C714	0CE1076F618	CAPACITOR, AL.ELECTROLYTIC, 100UF SMS 16V M TP(5)	
		C715	0CZZTFT001M	CAPACITOR, ECQB1H103JM3 103J 50V TP5.0 MATSUSHITA	
	or	C715	181-288N	CAPACITOR, POLYESTER, MKT 100V 103JTR PHS86103	
		C716	0CZZTFT002B	CAPACITOR, ECQV1H154JZ3 154J 50V TP5.0 MATSUSHITA	
	or	C716	181-288Q	CAPACITOR, POLYESTER, MKT 100V 154JTR PHS26154	
△		C717	0CBZTBU004E	CAPACITOR, POLYPROPYLENE, 562J 29.0*20.5*9.5*20.0 2.5KV J BUP FM20	
△		C718	0CBZTTA001V	CAPACITOR, POLYPROPYLENE, 0.0062UF D 800V J M/PP NI TP7.5	
		C719	0CZZTAB001A	CAPACITOR, SM-BP(P)/BP 10UF 50V 13*25 BK5	
		C720	0CK5610W515	CAPACITOR, CERAMIC (HIGH DIELECTRIC), 560P 500V K B TS	
		C721	0CZZTFT001Z	CAPACITOR, ECQB1H104JM3 104J 50V TP5.0 MATSUSHITA	
	or	C721	181-288B	CAPACITOR, POLYESTER, MKT 100V 104JTR PHS26104	
		C722	181-303E	CAPACITOR, POLYPROPYLENE, 224J 30.0*19.5*12.0*20.0 250V J PU FM20	
		C723	181-305F	CAPACITOR, POLYESTER, MPP 250V 274J S=10.0	
		C724	0CN1040K949	CAPACITOR, TUBULAR(HIGH DIELEC), 0.1M 50V Z F TA52	
		C725	0CQ2231N419	CAPACITOR, POLYESTER, 0.022UF 100V J PE NI TP	
		C726	181-477Y	CAPACITOR, POLYPROPYLENE, 683JF 20.0*16.5*9.5*7.5 250V J PU TP7.5	
		C727	0CN1040K949	CAPACITOR, TUBULAR(HIGH DIELEC), 0.1M 50V Z F TA52	
		C728	0CE3344K638	CAPACITOR, AL.ELECTROLYTIC, 0.33UF SRA,SS 50V M FM5 TP 5	
		C729	181-482B	CAPACITOR, POLYPROPYLENE, 124J 18.0*13.5*7.5*7.5* 250V J MPP TP7.5	
		C730	0CN1040K949	CAPACITOR, TUBULAR(HIGH DIELEC), 0.1M 50V Z F TA52	
		C731	0CK1010K515	CAPACITOR, CERAMIC (HIGH DIELECTRIC), 100PF 50V K B TR	
		C732	181-477U	CAPACITOR, POLYPROPYLENE, 333J 19.5*13.0*7.5*7.5 250V J PU TP7.5	
		C733	0CE476CQ618	CAPACITOR, AL.ELECTROLYTIC, 47U SHL 200V M FL TP5	
		C734	181-310A	CAPACITOR, AL.ELECTROLYTIC, 10UF SM-BP(D) 5*11 16V M RADIAL TP5	
		C735	0CE107ER650	CAPACITOR, AL.ELECTROLYTIC, 100UF KMG 250V M FM7.5 BULK	
		C736	0CQ1831N419	CAPACITOR, POLYESTER, 0.018UF 100V J PE NI TP	
		C737	0CN1040K949	CAPACITOR, TUBULAR(HIGH DIELEC), 0.1M 50V Z F TA52	
		C738	0CE4766K618	CAPACITOR, AL.ELECTROLYTIC, 47M SMS 50V M FM5 TP(5)	
		C739	0CE476CN618	CAPACITOR, AL.ELECTROLYTIC, 47UF SHL 100V M FL TP5	
		C740	0CE476CP618	CAPACITOR, AL.ELECTROLYTIC, 47U SHL 160V M FL TP5	
		C741	0CE2246K618	CAPACITOR, AL.ELECTROLYTIC, 0.22M SMS 50V M FM5 TP(5)	
		C742	0CZZTFT001M	CAPACITOR, ECQB1H103JM3 103J 50V TP5.0 MATSUSHITA	
	or	C742	181-288N	CAPACITOR, POLYESTER, MKT 100V 103JTR PHS86103	
		C743	0CK10302945	CAPACITOR, CERAMIC (HIGH DIELECTRIC), 0.01UF 2KV Z F TR	
		C744	0CE4766F618	CAPACITOR, AL.ELECTROLYTIC, 47U SMS 16V M FM5 TP5	
		C745	0CE108CH618	CAPACITOR, AL.ELECTROLYTIC, 1000UF SHL 25V M FL TP5	
		C746	0CE4756K618	CAPACITOR, AL.ELECTROLYTIC, 4.7U SMS 50V M FM5 TP5	
		C747	0CC2210K415	CAPACITOR, CERAMIC (TEMP. COMPENSATE), 220P 50V J NPO TP	
		C750	0CE2256K618	CAPACITOR, AL.ELECTROLYTIC, 2.2U SMS 50V M FM5 TP5	
		C751	0CE1066K618	CAPACITOR, AL.ELECTROLYTIC, 10M SMS 50V M FM5 TP(5)	
		C752	0CK1040K945	CAPACITOR, CERAMIC (HIGH DIELECTRIC), 0.1UF 50V Z F TR	
		C753	0CQ5621N419	CAPACITOR, POLYESTER, 5600P 100V J POLY NI TP	
		C754	0CC4700W405	CAPACITOR, CERAMIC (TEMP. COMPENSATE), 47PF 500V J SL TP	
		C755	0CK10201515	CAPACITOR, CERAMIC (HIGH DIELECTRIC), 1000P 1KV K B TS	
		C756	0CK1040K945	CAPACITOR, CERAMIC (HIGH DIELECTRIC), 0.1UF 50V Z F TR	
		C757	0CE4766K618	CAPACITOR, AL.ELECTROLYTIC, 47M SMS 50V M FM5 TP(5)	
		C758	0CK1020W515	CAPACITOR, CERAMIC (HIGH DIELECTRIC), 1000P 500V K B TS	
		C759	0CK1040K945	CAPACITOR, CERAMIC (HIGH DIELECTRIC), 0.1UF 50V Z F TR	
		C760	181-482F	CAPACITOR, POLYPROPYLENE, 274JF 18.0*17.0*10.0*7.5 250V J MPP TP7.5	
		C761	0CN1040K949	CAPACITOR, TUBULAR(HIGH DIELEC), 0.1M 50V Z F TA52	
		C762	181-482G	CAPACITOR, POLYPROPYLENE, 334J 18.0*18.0*11.0*7.5 250V J MPP TP7.5	
		C764	0CK4710K515	CAPACITOR, CERAMIC (HIGH DIELECTRIC), 470PF 50V K B TR	
		C801	0CE477CF618	CAPACITOR, AL.ELECTROLYTIC, 470UF SHL 16V M FL TP5	
		C802	0CE4756P618	CAPACITOR, AL.ELECTROLYTIC, 4.7U SMS 160V M FM5 TP5	
		C803	0CE4756P618	CAPACITOR, AL.ELECTROLYTIC, 4.7U SMS 160V M FM5 TP5	
		C804	0CN1040K949	CAPACITOR, TUBULAR(HIGH DIELEC), 0.1M 50V Z F TA52	
		C805	0CE1066K618	CAPACITOR, AL.ELECTROLYTIC, 10M SMS 50V M FM5 TP(5)	
		C806	181-288P	CAPACITOR, POLYESTER, MKT 100V 153JTR PHS86153	
		C807	0CE1056P618	CAPACITOR, AL.ELECTROLYTIC, 1U SMS 160V M FM5 TP5	
		C907	181-296C	CAPACITOR, AL.ELECTROLYTIC, 330UF 25.4X60 400V M VNSN BULK	
		C908	181-308V	CAPACITOR, POLYPROPYLENE, 393J 20.0*21.0*13.5*10.0 630V J PU FM10	
		C909	0CK27101515	CAPACITOR, CERAMIC (HIGH DIELECTRIC), 270P 1KV K B TS	
		C910	0CE1076H618	CAPACITOR, AL.ELECTROLYTIC, 100M SMS 25V M FM5 TP(5)	
		C911	0CK8210W515	CAPACITOR, CERAMIC (HIGH DIELECTRIC), 820P 500V K B TS	

MODEL: FLATRON 775FT				DATE: 1999. 10. 1.	
*S	*AL	LOC. NO.	PART NO.	DESCRIPTION / SPECIFICATION	REMARK
△		C913	0CKZTTA003C	CAPACITOR, CERAMIC (HIGH DIELECTRIC), SC E 472M 14.0FF7 250V TP7.5	
		C920	0CK27101515	CAPACITOR, CERAMIC (HIGH DIELECTRIC), 270P 1KV K B TS	
		C921	0CE4766F618	CAPACITOR, AL.ELECTROLYTIC, 47U SMS 16V M FM5 TP5	
		C922	0CE227CQ650	CAPACITOR, AL.ELECTROLYTIC, 220UF SHL 200V M FM7.5 BULK	
		C923	0CE107CN618	CAPACITOR, AL.ELECTROLYTIC, 100UF SHL 100V M FL TP5	
		C925	0CE108CH618	CAPACITOR, AL.ELECTROLYTIC, 1000UF SHL 25V M FL TP5	
		C926	0CE108CF618	CAPACITOR, AL.ELECTROLYTIC, 1000UF SHL 16V M FL TP5	
		C927	0CE1056P618	CAPACITOR, AL.ELECTROLYTIC, 1U SMS 160V M FM5 TP5	
		C928	181-288C	CAPACITOR, POLYESTER, MKT 100V 224JTR PHS 26224	
		C929	0CE4766F618	CAPACITOR, AL.ELECTROLYTIC, 47U SMS 16V M FM5 TP5	
		C930	0CE477CH618	CAPACITOR, AL.ELECTROLYTIC, 470UF SHL 25V M FL TP5	
		C931	0CZZTFT001Z	CAPACITOR, ECQB1H104JM3 104J 50V TP5.0 MATSUSHITA	
	or	C931	181-288B	CAPACITOR, POLYESTER, MKT 100V 104JTR PHS26104	
		C932	0CC8200K415	CAPACITOR, CERAMIC (TEMP. COMPENSATE), 82P 50V J NP0 TP	
		C933	0CE1076K618	CAPACITOR, AL.ELECTROLYTIC, 100U SMS 50V M FM5 TP5	
		C934	181-288E	CAPACITOR, POLYESTER, MKT 100V 474JTR PHS 26474	
		C935	0CE477CH618	CAPACITOR, AL.ELECTROLYTIC, 470UF SHL 25V M FL TP5	
		C936	0CKZTTA003A	CAPACITOR, CERAMIC (HIGH DIELECTRIC), SC E 222M 10.0FF7 250V TP7.5	
DIODEs					
		D401	0DS113309AA	DIODE, SWITCHING, 1SS133 TP ROHM KOREA DO34 90V 0.4A 0.6A 4.0NSEC	
		D501	0DS113309AA	DIODE, SWITCHING, 1SS133 TP ROHM KOREA DO34 90V 0.4A 0.6A 4.0NSEC	
		D502	0DS113309AA	DIODE, SWITCHING, 1SS133 TP ROHM KOREA DO34 90V 0.4A 0.6A 4.0NSEC	
		D505	0DS113309AA	DIODE, SWITCHING, 1SS133 TP ROHM KOREA DO34 90V 0.4A 0.6A 4.0NSEC	
		D506	0DS113309AA	DIODE, SWITCHING, 1SS133 TP ROHM KOREA DO34 90V 0.4A 0.6A 4.0NSEC	
		D510	0DS113309AA	DIODE, SWITCHING, 1SS133 TP ROHM KOREA DO34 90V 0.4A 0.6A 4.0NSEC	
		D512	0DS113309AA	DIODE, SWITCHING, 1SS133 TP ROHM KOREA DO34 90V 0.4A 0.6A 4.0NSEC	
		D513	0DS113309AA	DIODE, SWITCHING, 1SS133 TP ROHM KOREA DO34 90V 0.4A 0.6A 4.0NSEC	
		D514	0DS113309AA	DIODE, SWITCHING, 1SS133 TP ROHM KOREA DO34 90V 0.4A 0.6A 4.0NSEC	
		D602	0DS113309AA	DIODE, SWITCHING, 1SS133 TP ROHM KOREA DO34 90V 0.4A 0.6A 4.0NSEC	
		D610	0DD100009DD	DIODE, RECTIFIER, RGP10D TP G.I DO204AL 200V 1A 30A 150NS 5UA	
		D701	0DS113309AA	DIODE, SWITCHING, 1SS133 TP ROHM KOREA DO34 90V 0.4A 0.6A 4.0NSEC	
		D702	0DS113309AA	DIODE, SWITCHING, 1SS133 TP ROHM KOREA DO34 90V 0.4A 0.6A 4.0NSEC	
		D703	0DR400500AA	DIODE, RECTIFIER, SB40-05J BK SANYO TO-220ML 50V 4A 80A 40NS 0.2MA	
		D704	0DD300000AB	DIODE, RECTIFIER, FMP-3FU BK SANKEN TO3PF 1500V 5A 50A 0.7US 50UA	
		D705	0DR140059DA	DIODE, RECTIFIER, 1N4005TB52 TP LITEON DO41 600V 1A 40A ,SEC 5UA	
	or	D705	0DD400509AA	DIODE, RECTIFIER, 1N4005 GP TP G.I DO204AL 600V 1A 30A 2US 5UA	
		D706	0DR359150AA	DIODE, RECTIFIER, BY359F-1500 BK PHILIPS SOD100 1500V 10A 60A 0.6U	
		D707	0DR320400AA	DIODE, RECTIFIER, S3L20U-4004P15 BK SHINDENGEN NON 200V 3A 60A	
		D708	0DD100009DE	DIODE, RECTIFIER, RGP10G TP G.I DO204AL 400V 1A 30A 150NS 5UA	
		D709	0DS113309AA	DIODE, SWITCHING, 1SS133 TP ROHM KOREA DO34 90V 0.4A 0.6A 4.0NSEC	
		D711	0DS113309AA	DIODE, SWITCHING, 1SS133 TP ROHM KOREA DO34 90V 0.4A 0.6A 4.0NSEC	
		D712	0DD100009DE	DIODE, RECTIFIER, RGP10G TP G.I DO204AL 400V 1A 30A 150NS 5UA	
		D713	0DD100009DD	DIODE, RECTIFIER, RGP10D TP G.I DO204AL 200V 1A 30A 150NS 5UA	
		D714	0DD400709CB	DIODE, RECTIFIER, UF4007 TP G.I DO204AL 1000V 1A 30A 75NS 10UA	
		D715	0DS113309AA	DIODE, SWITCHING, 1SS133 TP ROHM KOREA DO34 90V 0.4A 0.6A 4.0NSEC	
		D716	0DR140059DA	DIODE, RECTIFIER, 1N4005TB52 TP LITEON DO41 600V 1A 40A ,SEC 5UA	
	or	D716	0DD400509AA	DIODE, RECTIFIER, 1N4005 GP TP G.I DO204AL 600V 1A 30A 2US 5UA	
		D717	0DR140059DA	DIODE, RECTIFIER, 1N4005TB52 TP LITEON DO41 600V 1A 40A ,SEC 5UA	
	or	D717	0DD400509AA	DIODE, RECTIFIER, 1N4005 GP TP G.I DO204AL 600V 1A 30A 2US 5UA	
		D718	0DR140059DA	DIODE, RECTIFIER, 1N4005TB52 TP LITEON DO41 600V 1A 40A ,SEC 5UA	
	or	D718	0DD400509AA	DIODE, RECTIFIER, 1N4005 GP TP G.I DO204AL 600V 1A 30A 2US 5UA	
		D723	0DS113309AA	DIODE, SWITCHING, 1SS133 TP ROHM KOREA DO34 90V 0.4A 0.6A 4.0NSEC	
		D730	0DS113309AA	DIODE, SWITCHING, 1SS133 TP ROHM KOREA DO34 90V 0.4A 0.6A 4.0NSEC	
		D731	0DS113309AA	DIODE, SWITCHING, 1SS133 TP ROHM KOREA DO34 90V 0.4A 0.6A 4.0NSEC	
		D733	0DS113309AA	DIODE, SWITCHING, 1SS133 TP ROHM KOREA DO34 90V 0.4A 0.6A 4.0NSEC	
		D734	0DS113309AA	DIODE, SWITCHING, 1SS133 TP ROHM KOREA DO34 90V 0.4A 0.6A 4.0NSEC	
		D735	0DS113309AA	DIODE, SWITCHING, 1SS133 TP ROHM KOREA DO34 90V 0.4A 0.6A 4.0NSEC	
		D736	0DS113309AA	DIODE, SWITCHING, 1SS133 TP ROHM KOREA DO34 90V 0.4A 0.6A 4.0NSEC	
		D737	0DS113309AA	DIODE, SWITCHING, 1SS133 TP ROHM KOREA DO34 90V 0.4A 0.6A 4.0NSEC	
		D738	0DS113309AA	DIODE, SWITCHING, 1SS133 TP ROHM KOREA DO34 90V 0.4A 0.6A 4.0NSEC	
		D739	0DR140059DA	DIODE, RECTIFIER, 1N4005TB52 TP LITEON DO41 600V 1A 40A ,SEC 5UA	
	or	D739	0DD400509AA	DIODE, RECTIFIER, 1N4005 GP TP G.I DO204AL 600V 1A 30A 2US 5UA	
		D740	0DS113309AA	DIODE, SWITCHING, 1SS133 TP ROHM KOREA DO34 90V 0.4A 0.6A 4.0NSEC	
		D801	0DS113309AA	DIODE, SWITCHING, 1SS133 TP ROHM KOREA DO34 90V 0.4A 0.6A 4.0NSEC	

MODEL: FLATRON 775FT				DATE: 1999. 10. 1.	
*S	*AL	LOC. NO.	PART NO.	DESCRIPTION / SPECIFICATION	REMARK
		D802	0DS113309AA	DIODE, SWITCHING, 1SS133 TP ROHM KOREA DO34 90V 0.4A 0.6A 4.0NSEC	
		D803	0DR140059DA	DIODE, RECTIFIER, 1N4005TB52 TP LITEON DO41 600V 1A 40A ,SEC 5UA	
	or	D803	0DD400509AA	DIODE, RECTIFIER, 1N4005 GP TP G.I DO204AL 600V 1A 30A 2US 5UA	
		D804	0DR140059DA	DIODE, RECTIFIER, 1N4005TB52 TP LITEON DO41 600V 1A 40A ,SEC 5UA	
	or	D804	0DD400509AA	DIODE, RECTIFIER, 1N4005 GP TP G.I DO204AL 600V 1A 30A 2US 5UA	
		D805	0DR140059DA	DIODE, RECTIFIER, 1N4005TB52 TP LITEON DO41 600V 1A 40A ,SEC 5UA	
	or	D805	0DD400509AA	DIODE, RECTIFIER, 1N4005 GP TP G.I DO204AL 600V 1A 30A 2US 5UA	
		D807	0DS113309AA	DIODE, SWITCHING, 1SS133 TP ROHM KOREA DO34 90V 0.4A 0.6A 4.0NSEC	
△		D900	0DD360000DA	DIODE, BRIDGE, D3SBA60 BK SHINDENGEN 600V 2.3A 80A 10UA	
		D906	0DD400709CB	DIODE, RECTIFIER, UF4007 TP G.I DO204AL 1000V 1A 30A 75NS 10UA	
△		D907	0DD100009DD	DIODE, RECTIFIER, RGP10D TP G.I DO204AL 200V 1A 30A 150NS 5UA	
		D910	0DS113309AA	DIODE, SWITCHING, 1SS133 TP ROHM KOREA DO34 90V 0.4A 0.6A 4.0NSEC	
		D911	0DS113309AA	DIODE, SWITCHING, 1SS133 TP ROHM KOREA DO34 90V 0.4A 0.6A 4.0NSEC	
		D919	0DR140059DA	DIODE, RECTIFIER, 1N4005TB52 TP LITEON DO41 600V 1A 40A ,SEC 5UA	
	or	D919	0DD400509AA	DIODE, RECTIFIER, 1N4005 GP TP G.I DO204AL 600V 1A 30A 2US 5UA	
		D920	0DR260400AA	DIODE, RECTIFIER, S2L60-4004P15 BK SHINDENGEN NON 600V 1.5A 50A	
		D921	0DS113309AA	DIODE, SWITCHING, 1SS133 TP ROHM KOREA DO34 90V 0.4A 0.6A 4.0NSEC	
		D922	0DD200009AH	DIODE, RECTIFIER, RU2AMV(1) TP SANKEN R-TMD 600V 1.1A 20A 0.4US	
		D923	0DD100009DD	DIODE, RECTIFIER, RGP10D TP G.I DO204AL 200V 1A 30A 150NS 5UA	
		D924	0DR320400AA	DIODE, RECTIFIER, S3L20U-4004P15 BK SHINDENGEN NON 200V 3A 60A	
		D926	0DD150009CB	DIODE, RECTIFIER, RGP15D TP G.I DO204AC 200V 1.5A 50A 150NS 5UA	
		D928	0DS113309AA	DIODE, SWITCHING, 1SS133 TP ROHM KOREA DO34 90V 0.4A 0.6A 4.0NSEC	
		D929	0DS113309AA	DIODE, SWITCHING, 1SS133 TP ROHM KOREA DO34 90V 0.4A 0.6A 4.0NSEC	
		D932	0DS113309AA	DIODE, SWITCHING, 1SS133 TP ROHM KOREA DO34 90V 0.4A 0.6A 4.0NSEC	
		D933	0DS113309AA	DIODE, SWITCHING, 1SS133 TP ROHM KOREA DO34 90V 0.4A 0.6A 4.0NSEC	
		D934	0DS113309AA	DIODE, SWITCHING, 1SS133 TP ROHM KOREA DO34 90V 0.4A 0.6A 4.0NSEC	
		D935	0DD100009DA	DIODE, RECTIFIER, RGP10J TP G.I DO204AL 600V 1A 30A 250NS 5UA	
		D936	0DS113309AA	DIODE, SWITCHING, 1SS133 TP ROHM KOREA DO34 90V 0.4A 0.6A 4.0NSEC	
		D937	0DD100009DD	DIODE, RECTIFIER, RGP10D TP G.I DO204AL 200V 1A 30A 150NS 5UA	
		D938	0DD400309AE	DIODE, SWITCHING, 1N4003 TP ROHM-K DO41 200V 1A 30A 400NS 10UA	
		ZD401	0DZ560009CE	DIODE, ZENER, MTZJ5.6B TP ROHM-K DO34 500MW 5.6V 5MA 26MM	
		ZD402	0DZ560009CE	DIODE, ZENER, MTZJ5.6B TP ROHM-K DO34 500MW 5.6V 5MA 26MM	
		ZD403	0DZ560009CE	DIODE, ZENER, MTZJ5.6B TP ROHM-K DO34 500MW 5.6V 5MA 26MM	
		ZD404	0DZ560009CE	DIODE, ZENER, MTZJ5.6B TP ROHM-K DO34 500MW 5.6V 5MA 26MM	
		ZD405	0DZ560009CE	DIODE, ZENER, MTZJ5.6B TP ROHM-K DO34 500MW 5.6V 5MA 26MM	
		ZD406	0DZ560009CE	DIODE, ZENER, MTZJ5.6B TP ROHM-K DO34 500MW 5.6V 5MA 26MM	
		ZD407	0DZ560009CE	DIODE, ZENER, MTZJ5.6B TP ROHM-K DO34 500MW 5.6V 5MA 26MM	
		ZD408	0DZ560009CE	DIODE, ZENER, MTZJ5.6B TP ROHM-K DO34 500MW 5.6V 5MA 26MM	
		ZD409	0DZ560009CE	DIODE, ZENER, MTZJ5.6B TP ROHM-K DO34 500MW 5.6V 5MA 26MM	
		ZD410	0DZ560009CE	DIODE, ZENER, MTZJ5.6B TP ROHM-K DO34 500MW 5.6V 5MA 26MM	
		ZD411	0DZ560009CE	DIODE, ZENER, MTZJ5.6B TP ROHM-K DO34 500MW 5.6V 5MA 26MM	
		ZD412	0DZ560009CE	DIODE, ZENER, MTZJ5.6B TP ROHM-K DO34 500MW 5.6V 5MA 26MM	
		ZD501	0DZ750009AG	DIODE, ZENER, MTZJ7.5B TP ROHM-K DO34 0.5W 7.5V 5MA .PF	
		ZD502	0DZ560009CE	DIODE, ZENER, MTZJ5.6B TP ROHM-K DO34 500MW 5.6V 5MA 26MM	
		ZD704	0DZ180009AG	DIODE, ZENER, MTZJ18B TP ROHM-K DO34 500MW 18V 5MA	
		ZD706	0DZ180009AG	DIODE, ZENER, MTZJ18B TP ROHM-K DO34 500MW 18V 5MA	
		ZD801	0DZ180009AG	DIODE, ZENER, MTZJ18B TP ROHM-K DO34 500MW 18V 5MA	
		ZD802	0DZ560009CE	DIODE, ZENER, MTZJ5.6B TP ROHM-K DO34 500MW 5.6V 5MA 26MM	
		ZD803	0DZ620009BB	DIODE, ZENER, MTZJ6.2B TP ROHM-K DO34 0.5W 6.2V 5MA .PF	
		ZD902	0DZ680009BB	DIODE, ZENER, MTZJ6.8B TP ROHM-K DO34 0.5W 6.8V 5MAA .PF	
		ZD903	0DZ150009AD	DIODE, ZENER, MTZJ15B TP ROHM-K DO34 500MW 15V 5MA	
ICs					
		IC401	0IZZTSZ056A	IC[HYBRID ], OTP(MICOM) FB775B	
		IC402	0ISG240860A	IC, SGS-THOMSON, M24C08-BN6 8DIP BK 8K SERIAL IIC BUS EEPROM	
	or	IC402	0IAL240800A	IC, ATMEL, AT24C08 8D EEPROM(8K,IIC)	
		IC601	0ISG817200A	IC, SGS-THOMSON, TDA8172	
		IC701	0IPH485600A	IC, PHILIPS, TDA4856 SDIP32 BK IIC DEFLECTION CONT. IC	
		IC901	0ISK665413B	IC, SANKEN, STR-F6654A[LF1351] 5P BK SWITCHING REGULATOR	
		IC902	0ILI817000E	IC, LITEON, LTV-817M B 4P BK PHOTO COUPLER CTR(130-260)	
	or	IC902	0ISH123200B	IC, SHARP, PC123 FY2	
		IC921	0IKE431000B	IC, KEC, KIA431 (TP)	
		IC923	0ISS780500F	IC, SAMSUNG ELECTRONICS, KA7805	
		IC925	0ISS781200F	IC, SAMSUNG ELECTRONICS, KA7812	

MODEL: FLATRON 775FT				DATE: 1999. 10. 1.	
*S	*AL	LOC. NO.	PART NO.	DESCRIPTION / SPECIFICATION	REMARK
COILS & CORES					
		L601	6210TCE003J	CORE (CIRC), BEAD, BAS2550T BO SUNG 2550MM AXIAL52MM	
	or	L601	125-155J	CORE (CIRC), BEAD, BFS2550A0FG SAMWHA 2.5*5.0MM AXIAL52MM	
		L602	6210TCE003J	CORE (CIRC), BEAD, BAS2550T BO SUNG 2550MM AXIAL52MM	
	or	L602	125-155J	CORE (CIRC), BEAD, BFS2550A0FG SAMWHA 2.5*5.0MM AXIAL52MM	
		L702	6140TBZ025A	COIL, CHOKE, DR14*20 120UH 0.12*25MM 47.5T FB775B	
		L703	150-L05T	COIL, LINEARITY, DR14*15 14*7T 6UH 0.12*30MM 20.5T	
		L704	6210TCE003K	CORE (CIRC), BEAD, BAS3550T BO SUNG 3550MM AXIAL52MM	
	or	L704	125-155K	CORE (CIRC), BEAD, BFS3550A0FG SAMWHA 3.5*5.0MM AXIAL52MM	
		L705	150-985U	COIL, CHOKE, DR15*25(C:8.5) 3.0MH 0.45MM 235.5T D/D CHOKE	
		L707	150-235C	COIL, CHOKE, DR8*11 100UH 0.4MM 53.5T	
		L902	125-155B	CORE (CIRC), BEAD, BFS3580R2FG SAMWHA 3.5*8.0MM RADIAL	
		L903	125-155B	CORE (CIRC), BEAD, BFS3580R2FG SAMWHA 3.5*8.0MM RADIAL	
		FB401	6210TCE003J	CORE (CIRC), BEAD, BAS2550T BO SUNG 2550MM AXIAL52MM	
	or	FB401	125-155J	CORE (CIRC), BEAD, BFS2550A0FG SAMWHA 2.5*5.0MM AXIAL52MM	
		FB402	6210TCE003J	CORE (CIRC), BEAD, BAS2550T BO SUNG 2550MM AXIAL52MM	
	or	FB402	125-155J	CORE (CIRC), BEAD, BFS2550A0FG SAMWHA 2.5*5.0MM AXIAL52MM	
		FB403	6210TCE003J	CORE (CIRC), BEAD, BAS2550T BO SUNG 2550MM AXIAL52MM	
	or	FB403	125-155J	CORE (CIRC), BEAD, BFS2550A0FG SAMWHA 2.5*5.0MM AXIAL52MM	
		FB501	125-155B	CORE (CIRC), BEAD, BFS3580R2FG SAMWHA 3.5*8.0MM RADIAL	
		FB502	125-155B	CORE (CIRC), BEAD, BFS3580R2FG SAMWHA 3.5*8.0MM RADIAL	
		FB503	125-155N	CORE (CIRC), BEAD, BFD3565R2FG SAMWHA 3.5*6.5MM RADIAL	
		FB504	125-155N	CORE (CIRC), BEAD, BFD3565R2FG SAMWHA 3.5*6.5MM RADIAL	
		FB701	6210TCE003L	CORE (CIRC), BEAD, BAS3580T BO SUNG 3580MM AXIAL52MM	
	or	FB701	125-155L	CORE (CIRC), BEAD, BFS3580A0FG SAMWHA 3.5*8.0MM AXIAL52MM	
		FB703	125-155C	CORE (CIRC), BEAD, BFD3514R2FG SAMWHA 3.5*14MM RADIAL	
		FB704	6210TCE003L	CORE (CIRC), BEAD, BAS3580T BO SUNG 3580MM AXIAL52MM	
	or	FB704	125-155L	CORE (CIRC), BEAD, BFS3580A0FG SAMWHA 3.5*8.0MM AXIAL52MM	
		FB707	6210TCE003L	CORE (CIRC), BEAD, BAS3580T BO SUNG 3580MM AXIAL52MM	
	or	FB707	125-155L	CORE (CIRC), BEAD, BFS3580A0FG SAMWHA 3.5*8.0MM AXIAL52MM	
		FB708	125-022J	CORE (CIRC), BEAD, FERRITE KQ-1 JS 3.5*5.0MM AXIAL62MM	
		FB709	125-022J	CORE (CIRC), BEAD, FERRITE KQ-1 JS 3.5*5.0MM AXIAL62MM	
		FB710	125-155H	CORE (CIRC), BEAD, BFS3510A0FG SAMWHA 3.5*10MM AXIAL52MM	
		FB901	6210TCE003F	CORE (CIRC), BEAD, BRD3580B BO SUNG 3580MM RADIAL	
	or	FB901	125-155F	CORE (CIRC), BEAD, BFD3580R2FG SAMWHA 3.5*8.0MM RADIAL	
		FB902	125-155A	CORE (CIRC), BEAD, BFD3510R2FG SAMWHA 3.5*10MM RADIAL	
		FB903	125-155A	CORE (CIRC), BEAD, BFD3510R2FG SAMWHA 3.5*10MM RADIAL	
TRANSISTORS					
		Q401	0TR945009AA	TRANSISTOR, KSC945C-Y TP SAMSUNG TO92 NPN EPI. SILICON TR	
	or	Q401	0TR319809AA	TRANSISTOR, KTC3198-Y(KTC1815) TP KEC TO92 NPN	
		Q501	0TR471009AA	TRANSISTOR, KSD471AC-Y TP SAMSUNG TO92 NPN	
	or	Q501	0TR320209AA	TRANSISTOR, KTC3202-Y(KTC1959) TP KEC TO92 NPN	
		Q502	0TR564009AB	TRANSISTOR, KSB564AC-YTA TP SANSUNG TO92 PNP	
	or	Q502	0TR127009AA	TRANSISTOR, KTA1270-Y(KTA562TM) TP KEC TO92 PNP	
		Q503	0TR564009AB	TRANSISTOR, KSB564AC-YTA TP SANSUNG TO92 PNP	
	or	Q503	0TR127009AA	TRANSISTOR, KTA1270-Y(KTA562TM) TP KEC TO92 PNP	
		Q504	0TR945009AA	TRANSISTOR, KSC945C-Y TP SAMSUNG TO92 NPN EPI. SILICON TR	
	or	Q504	0TR319809AA	TRANSISTOR, KTC3198-Y(KTC1815) TP KEC TO92 NPN	
		Q506	0TR471009AA	TRANSISTOR, KSD471AC-Y TP SAMSUNG TO92 NPN	
	or	Q506	0TR320209AA	TRANSISTOR, KTC3202-Y(KTC1959) TP KEC TO92 NPN	
		Q507	0TR564009AB	TRANSISTOR, KSB564AC-YTA TP SANSUNG TO92 PNP	
	or	Q507	0TR127009AA	TRANSISTOR, KTA1270-Y(KTA562TM) TP KEC TO92 PNP	
		Q508	0TR564009AB	TRANSISTOR, KSB564AC-YTA TP SANSUNG TO92 PNP	
	or	Q508	0TR127009AA	TRANSISTOR, KTA1270-Y(KTA562TM) TP KEC TO92 PNP	
		Q509	0TR945009AA	TRANSISTOR, KSC945C-Y TP SAMSUNG TO92 NPN EPI. SILICON TR	
	or	Q509	0TR319809AA	TRANSISTOR, KTC3198-Y(KTC1815) TP KEC TO92 NPN	
		Q510	0TR463300AB	TRANSISTOR, 2SC4633(LS-CB11) BK SANYO LS-CB11 NPN	
		Q511	0TR463300AB	TRANSISTOR, 2SC4633(LS-CB11) BK SANYO LS-CB11 NPN	
		Q512	0TR390409CA	TRANSISTOR, 2N3904 TP SAMSUNG TO92 NPN	
		Q513	0TR390600CA	TRANSISTOR, 2N3906 TP SAMSUNG TO92 NPN	
		Q601	0TR114009AB	TRANSISTOR, DTC114ES TP ROHM-K SPT NPN	
		Q602	0TR928009AB	TRANSISTOR, KSA928A-Y TP SAMSUNG TO92L PNP	
	or	Q602	0TR127309AA	TRANSISTOR, KTA1273-Y(KTA966A) TP KEC TO92L PNP	

MODEL: FLATRON 775FT				DATE: 1999. 10. 1.	
*S	*AL	LOC. NO.	PART NO.	DESCRIPTION / SPECIFICATION	REMARK
		Q603	0TR114009AB	TRANSISTOR, DTC114ES TP ROHM-K SPT NPN	
		Q604	0TR945009AA	TRANSISTOR, KSC945C-Y TP SAMSUNG TO92 NPN EPI. SILICON TR	
	or	Q604	0TR319809AA	TRANSISTOR, KTC3198-Y(KTC1815) TP KEC TO92 NPN	
		Q704	0TR945009AA	TRANSISTOR, KSC945C-Y TP SAMSUNG TO92 NPN EPI. SILICON TR	
	or	Q704	0TR319809AA	TRANSISTOR, KTC3198-Y(KTC1815) TP KEC TO92 NPN	
		Q705	0TR200009AB	TRANSISTOR, KTC200-Y TP KEC TO92 NPN	
		Q706	0TR541100AA	TRANSISTOR, 2SC5411(HFE) BK TOSHIBA TO3PF H-OUT TR 1500V 18A	
		Q707	0TR564009AB	TRANSISTOR, KSB564AC-YTA TP SANSUNG TO92 PNP	
	or	Q707	0TR127009AA	TRANSISTOR, KTA1270-Y(KTA562TM) TP KEC TO92 PNP	
		Q708	0TR564009AB	TRANSISTOR, KSB564AC-YTA TP SANSUNG TO92 PNP	
	or	Q708	0TR127009AA	TRANSISTOR, KTA1270-Y(KTA562TM) TP KEC TO92 PNP	
		Q709	0TR141300AB	TRANSISTOR, KTD1413 BK KEC TO220IS NPN	
		Q711	0TF640000CA	FET, IRFS640A BK SAMSUNG 200V 9A TO220F	
		Q712	0TF630000CA	FET, IRFS630A BK SAMSUNG 200V 6.5A TO220F	
		Q713	0TF630000CA	FET, IRFS630A BK SAMSUNG 200V 6.5A TO220F	
		Q714	0TR945009AA	TRANSISTOR, KSC945C-Y TP SAMSUNG TO92 NPN EPI. SILICON TR	
	or	Q714	0TR319809AA	TRANSISTOR, KTC3198-Y(KTC1815) TP KEC TO92 NPN	
		Q715	0TR945009AA	TRANSISTOR, KSC945C-Y TP SAMSUNG TO92 NPN EPI. SILICON TR	
	or	Q715	0TR319809AA	TRANSISTOR, KTC3198-Y(KTC1815) TP KEC TO92 NPN	
		Q716	0TR945009AA	TRANSISTOR, KSC945C-Y TP SAMSUNG TO92 NPN EPI. SILICON TR	
	or	Q716	0TR319809AA	TRANSISTOR, KTC3198-Y(KTC1815) TP KEC TO92 NPN	
		Q717	0TR471009AA	TRANSISTOR, KSD471AC-Y TP SAMSUNG TO92 NPN	
	or	Q717	0TR320209AA	TRANSISTOR, KTC3202-Y(KTC1959) TP KEC TO92 NPN	
		Q718	0TR564009AB	TRANSISTOR, KSB564AC-YTA TP SANSUNG TO92 PNP	
	or	Q718	0TR127009AA	TRANSISTOR, KTA1270-Y(KTA562TM) TP KEC TO92 PNP	
		Q719	0TF963000BA	FET, SFS9630 BK SAMSUNG -200V -4.4A TO220	
		Q720	0TR945009AA	TRANSISTOR, KSC945C-Y TP SAMSUNG TO92 NPN EPI. SILICON TR	
	or	Q720	0TR319809AA	TRANSISTOR, KTC3198-Y(KTC1815) TP KEC TO92 NPN	
		Q721	0TR945009AA	TRANSISTOR, KSC945C-Y TP SAMSUNG TO92 NPN EPI. SILICON TR	
	or	Q721	0TR319809AA	TRANSISTOR, KTC3198-Y(KTC1815) TP KEC TO92 NPN	
		Q722	0TR945009AA	TRANSISTOR, KSC945C-Y TP SAMSUNG TO92 NPN EPI. SILICON TR	
	or	Q722	0TR319809AA	TRANSISTOR, KTC3198-Y(KTC1815) TP KEC TO92 NPN	
		Q723	0TR564009AB	TRANSISTOR, KSB564AC-YTA TP SANSUNG TO92 PNP	
	or	Q723	0TR127009AA	TRANSISTOR, KTA1270-Y(KTA562TM) TP KEC TO92 PNP	
		Q724	0TR564009AB	TRANSISTOR, KSB564AC-YTA TP SANSUNG TO92 PNP	
	or	Q724	0TR127009AA	TRANSISTOR, KTA1270-Y(KTA562TM) TP KEC TO92 PNP	
		Q725	0TR564009AB	TRANSISTOR, KSB564AC-YTA TP SANSUNG TO92 PNP	
	or	Q725	0TR127009AA	TRANSISTOR, KTA1270-Y(KTA562TM) TP KEC TO92 PNP	
		Q726	0TR114009AB	TRANSISTOR, DTC114ES TP ROHM-K SPT NPN	
		Q729	0TR114009AB	TRANSISTOR, DTC114ES TP ROHM-K SPT NPN	
		Q730	0TR564009AB	TRANSISTOR, KSB564AC-YTA TP SANSUNG TO92 PNP	
	or	Q730	0TR127009AA	TRANSISTOR, KTA1270-Y(KTA562TM) TP KEC TO92 PNP	
		Q731	0TR945009AA	TRANSISTOR, KSC945C-Y TP SAMSUNG TO92 NPN EPI. SILICON TR	
	or	Q731	0TR319809AA	TRANSISTOR, KTC3198-Y(KTC1815) TP KEC TO92 NPN	
		Q734	0TR945009AA	TRANSISTOR, KSC945C-Y TP SAMSUNG TO92 NPN EPI. SILICON TR	
	or	Q734	0TR319809AA	TRANSISTOR, KTC3198-Y(KTC1815) TP KEC TO92 NPN	
		Q735	0TR945009AA	TRANSISTOR, KSC945C-Y TP SAMSUNG TO92 NPN EPI. SILICON TR	
	or	Q735	0TR319809AA	TRANSISTOR, KTC3198-Y(KTC1815) TP KEC TO92 NPN	
		Q736	0TF630000CA	FET, IRFS630A BK SAMSUNG 200V 6.5A TO220F	
		Q737	0TR114009AB	TRANSISTOR, DTC114ES TP ROHM-K SPT NPN	
		Q738	0TR114009AB	TRANSISTOR, DTC114ES TP ROHM-K SPT NPN	
		Q801	0TR114009AB	TRANSISTOR, DTC114ES TP ROHM-K SPT NPN	
		Q802	0TR101309CC	TRANSISTOR, KSA1013-YTA TP SAMSUNG TO92L PNP	
	or	Q802	0TR127509AC	TRANSISTOR, KTA1275-Y(KTA1013) TP KEC TO92L PNP	
		Q803	0TR231009AA	TRANSISTOR, KSC2310-Y TP SAMSUNG TO92L NPN	
	or	Q803	0TR320609AB	TRANSISTOR, KTC3206-Y(KTC2229) TP KEC TO92L NPN	
		Q804	0TR910009AA	TRANSISTOR, KSA910-YTA TP SAMSUNG TO92L PNP	
	or	Q804	0TR102409AB	TRANSISTOR, KTA1024-Y(KTA949) TP KEC TO92L PNP	
		Q805	0TR910009AA	TRANSISTOR, KSA910-YTA TP SAMSUNG TO92L PNP	
	or	Q805	0TR102409AB	TRANSISTOR, KTA1024-Y(KTA949) TP KEC TO92L PNP	
		Q806	0TR945009AA	TRANSISTOR, KSC945C-Y TP SAMSUNG TO92 NPN EPI. SILICON TR	
	or	Q806	0TR319809AA	TRANSISTOR, KTC3198-Y(KTC1815) TP KEC TO92 NPN	
		Q807	0TR114009AB	TRANSISTOR, DTC114ES TP ROHM-K SPT NPN	
		Q808	0TR231009AA	TRANSISTOR, KSC2310-Y TP SAMSUNG TO92L NPN	
	or	Q808	0TR320609AB	TRANSISTOR, KTC3206-Y(KTC2229) TP KEC TO92L NPN	
		Q920	0TR233009AA	TRANSISTOR, KSC2330-O TP SAMSUNG TO92L NPN	



MODEL: FLATRON 775FT				DATE: 1999. 10. 1.	
*S	*AL	LOC. NO.	PART NO.	DESCRIPTION / SPECIFICATION	REMARK
	or	Q920	0TR320709AA	TRANSISTOR, KTC3207(KTC2482) TP KEC TO92L NPN	
		Q921	0TR945009AA	TRANSISTOR, KSC945C-Y TP SAMSUNG TO92 NPN EPI. SILICON TR	
	or	Q921	0TR319809AA	TRANSISTOR, KTC3198-Y(KTC1815) TP KEC TO92 NPN	
		Q922	0TR928009AB	TRANSISTOR, KSA928A-Y TP SAMSUNG TO92L PNP	
	or	Q922	0TR127309AA	TRANSISTOR, KTA1273-Y(KTA966A) TP KEC TO92L PNP	
		Q923	0TR945009AA	TRANSISTOR, KSC945C-Y TP SAMSUNG TO92 NPN EPI. SILICON TR	
	or	Q923	0TR319809AA	TRANSISTOR, KTC3198-Y(KTC1815) TP KEC TO92 NPN	
		Q924	0TR150700AC	TRANSISTOR, KSC1507-Y BK SANSUNG TO220 NPN 300V/200MA	
		Q925	0TR928009AB	TRANSISTOR, KSA928A-Y TP SAMSUNG TO92L PNP	
	or	Q925	0TR127309AA	TRANSISTOR, KTA1273-Y(KTA966A) TP KEC TO92L PNP	
		Q926	0TR945009AA	TRANSISTOR, KSC945C-Y TP SAMSUNG TO92 NPN EPI. SILICON TR	
	or	Q926	0TR319809AA	TRANSISTOR, KTC3198-Y(KTC1815) TP KEC TO92 NPN	
		Q930	0TR114009AB	TRANSISTOR, DTC114ES TP ROHM-K SPT NPN	
		Q931	0TR319809AB	TRANSISTOR, KTC3198-GR(KTC1815) TP KEC TO92 NPN	
		Q932	0TR231609AA	TRANSISTOR, KSC2316-Y TP SAMSUNG TO92L NPN	
<b>RESISTORS</b>					
		R401	ORD1000Q609	RESISTOR, FIXED CARBON FILM, 100 1/4W(3 5% TA52	
		R402	ORD1001Q609	RESISTOR, FIXED CARBON FILM, 1K 1/4W(3 5% TA52	
		R403	ORD1002Q609	RESISTOR, FIXED CARBON FILM, 10K 1/4W(3 5% TA52	
		R404	ORD4701Q609	RESISTOR, FIXED CARBON FILM, 4.70K 1/4W(3 5% TA52	
		R405	ORD2001Q609	RESISTOR, FIXED CARBON FILM, 2K 1/4W(3 5% TA52	
		R406	ORD5601Q609	RESISTOR, FIXED CARBON FILM, 5.60K 1/4W(3 5% TA52	
		R407	ORD3301Q609	RESISTOR, FIXED CARBON FILM, 3.30K 1/4W(3 5% TA52	
		R408	ORD1001Q609	RESISTOR, FIXED CARBON FILM, 1K 1/4W(3 5% TA52	
		R409	ORD1801Q609	RESISTOR, FIXED CARBON FILM, 1.80K 1/4W(3 5% TA52	
		R410	ORD1801Q609	RESISTOR, FIXED CARBON FILM, 1.80K 1/4W(3 5% TA52	
		R411	ORD4701Q609	RESISTOR, FIXED CARBON FILM, 4.70K 1/4W(3 5% TA52	
		R412	ORD4701Q609	RESISTOR, FIXED CARBON FILM, 4.70K 1/4W(3 5% TA52	
		R413	ORD4701Q609	RESISTOR, FIXED CARBON FILM, 4.70K 1/4W(3 5% TA52	
		R414	ORD4701Q609	RESISTOR, FIXED CARBON FILM, 4.70K 1/4W(3 5% TA52	
		R421	ORD4701Q609	RESISTOR, FIXED CARBON FILM, 4.70K 1/4W(3 5% TA52	
		R422	ORD4701Q609	RESISTOR, FIXED CARBON FILM, 4.70K 1/4W(3 5% TA52	
		R423	ORD5601Q609	RESISTOR, FIXED CARBON FILM, 5.60K 1/4W(3 5% TA52	
		R424	ORD1000Q609	RESISTOR, FIXED CARBON FILM, 100 1/4W(3 5% TA52	
		R425	ORD4701Q609	RESISTOR, FIXED CARBON FILM, 4.70K 1/4W(3 5% TA52	
		R427	ORD4302Q609	RESISTOR, FIXED CARBON FILM, 43K 1/4W(3 5% TA52	
		R430	ORD4701Q609	RESISTOR, FIXED CARBON FILM, 4.70K 1/4W(3 5% TA52	
		R431	ORD4701Q609	RESISTOR, FIXED CARBON FILM, 4.70K 1/4W(3 5% TA52	
		R432	ORD5602Q609	RESISTOR, FIXED CARBON FILM, 56K 1/4W(3 5% TA52	
		R433	ORD4701Q609	RESISTOR, FIXED CARBON FILM, 4.70K 1/4W(3 5% TA52	
		R434	ORD0332Q609	RESISTOR, FIXED CARBON FILM, 33 1/4W(3 5% TA52	
		R439	ORD1500Q609	RESISTOR, FIXED CARBON FILM, 150 1/4W(3 5% TA52	
		R440	ORD1502Q609	RESISTOR, FIXED CARBON FILM, 15K 1/4W(3 5% TA52	
		R441	ORD4701Q609	RESISTOR, FIXED CARBON FILM, 4.70K 1/4W(3 5% TA52	
		R442	ORD8201Q609	RESISTOR, FIXED CARBON FILM, 8.20K 1/4W(3 5% TA52	
		R443	ORD1001Q609	RESISTOR, FIXED CARBON FILM, 1K 1/4W(3 5% TA52	
		R501	ORD0471A609	RESISTOR, FIXED CARBON FILM, 4.7 OHM 1/2 W (7.0) 5% TA52	
		R502	ORD0202A609	RESISTOR, FIXED CARBON FILM, 20 OHM 1/2 W (7.0) 5% TA52	
		R503	ORD8201Q609	RESISTOR, FIXED CARBON FILM, 8.20K 1/4W(3 5% TA52	
		R504	ORD1500Q609	RESISTOR, FIXED CARBON FILM, 150 1/4W(3 5% TA52	
		R505	ORD2201Q609	RESISTOR, FIXED CARBON FILM, 2.20K 1/4W(3 5% TA52	
		R506	ORD1001Q609	RESISTOR, FIXED CARBON FILM, 1K 1/4W(3 5% TA52	
		R507	ORD1601Q609	RESISTOR, FIXED CARBON FILM, 1.60K 1/4W(3 5% TA52	
		R508	ORD1001Q609	RESISTOR, FIXED CARBON FILM, 1K 1/4W(3 5% TA52	
		R509	ORD1001Q609	RESISTOR, FIXED CARBON FILM, 1K 1/4W(3 5% TA52	
		R510	ORD0202A609	RESISTOR, FIXED CARBON FILM, 20 OHM 1/2 W (7.0) 5% TA52	
		R511	ORD8201Q609	RESISTOR, FIXED CARBON FILM, 8.20K 1/4W(3 5% TA52	
		R512	ORD1500Q609	RESISTOR, FIXED CARBON FILM, 150 1/4W(3 5% TA52	
		R513	ORD0471A609	RESISTOR, FIXED CARBON FILM, 4.7 OHM 1/2 W (7.0) 5% TA52	
		R514	ORD1001Q609	RESISTOR, FIXED CARBON FILM, 1K 1/4W(3 5% TA52	
		R515	ORD4701Q609	RESISTOR, FIXED CARBON FILM, 4.70K 1/4W(3 5% TA52	
		R516	ORD2201Q609	RESISTOR, FIXED CARBON FILM, 2.20K 1/4W(3 5% TA52	
		R517	ORD0242A609	RESISTOR, FIXED CARBON FILM, 24 OHM 1/2 W (7.0) 5% TA52	
		R520	ORD2001A609	RESISTOR, FIXED CARBON FILM, 2.0K OHM 1/2 W (7.0) 5% TA52	

MODEL: FLATRON 775FT				DATE: 1999. 10. 1.	
*S	*AL	LOC. NO.	PART NO.	DESCRIPTION / SPECIFICATION	REMARK
		R521	ORD3001A609	RESISTOR, FIXED CARBON FILM, 3.0K OHM 1/2 W (7.0) 5% TA52	
		R522	ORD4300Q609	RESISTOR, FIXED CARBON FILM, 430 1/4W(3 5% TA52	
		R523	ORD3300Q609	RESISTOR, FIXED CARBON FILM, 330 1/4W(3 5% TA52	
		R524	ORD5602Q609	RESISTOR, FIXED CARBON FILM, 56K 1/4W(3 5% TA52	
		R525	ORD6801Q609	RESISTOR, FIXED CARBON FILM, 6.80K 1/4W(3 5% TA52	
		R526	ORD3300Q609	RESISTOR, FIXED CARBON FILM, 330 1/4W(3 5% TA52	
		R527	ORD2000Q609	RESISTOR, FIXED CARBON FILM, 200 1/4W(3 5% TA52	
		R528	ORD7503A609	RESISTOR, FIXED CARBON FILM, 750K OHM 1/2 W (7.0) 5% TA52	
		R529	ORX1502J609	RESISTOR, SMALL FIX METAL FILM OXIDE, 15KOHM 1 W 5% TA52	
		R530	ORX2203J609	RESISTOR, SMALL FIX METAL FILM OXIDE, 220K OHM 1 W 5% TA52	
		R531	ORX2203J609	RESISTOR, SMALL FIX METAL FILM OXIDE, 220K OHM 1 W 5% TA52	
		R540	ORD0472Q609	RESISTOR, FIXED CARBON FILM, 47 1/4W(3 5% TA52	
		R601	ORN1202F409	RESISTOR, FIXED METAL FILM, 12K 1/6W 1% TA52	
		R602	ORD1102Q509	RESISTOR, FIXED CARBON FILM, 11K OHM 1/4 W (3.4) 2% TA52	
		R603	ORN3901F409	RESISTOR, FIXED METAL FILM, 3.90K 1/6W 1% TA52	
		R604	ORN3900F409	RESISTOR, FIXED METAL FILM, 390 1/6W 1% TA52	
		R605	ORD1002Q609	RESISTOR, FIXED CARBON FILM, 10K 1/4W(3 5% TA52	
		R606	ORN8201F409	RESISTOR, FIXED METAL FILM, 8.20K 1/6W 1% TA52	
		R607	ORD1001Q609	RESISTOR, FIXED CARBON FILM, 1K 1/4W(3 5% TA52	
		R608	ORN2002F409	RESISTOR, FIXED METAL FILM, 20K 1/6W 1% TA52	
		R609	ORD1001Q609	RESISTOR, FIXED CARBON FILM, 1K 1/4W(3 5% TA52	
		R610	ORD9100A609	RESISTOR, FIXED CARBON FILM, 910 OHM 1/2 W (7.0) 5% TA52	
		R611	ORD0151A609	RESISTOR, FIXED CARBON FILM, 1.5 OHM 1/2 W (7.0) 5% TA52	
		R612	ORD2200A609	RESISTOR, FIXED CARBON FILM, 220 OHM 1/2 W (7.0) 5% TA52	
		R613	ORD5602Q609	RESISTOR, FIXED CARBON FILM, 56K 1/4W(3 5% TA52	
		R614	ORX0750J609	RESISTOR, SMALL FIX METAL FILM OXIDE, 0.75OHM 1 W 5% TA52	
		R615	ORN3301F409	RESISTOR, FIXED METAL FILM, 3.30K 1/6W 1% TA52	
		R616	ORD1001Q609	RESISTOR, FIXED CARBON FILM, 1K 1/4W(3 5% TA52	
		R618	ORN0390G609	RESISTOR, FIXED METAL FILM, 0.39 1/4W 5 TA52	
		R619	ORD5101Q509	RESISTOR, FIXED CARBON FILM, 5.1K OHM 1/4 W (3.4) 2% TA52	
		R701	ORD4702Q609	RESISTOR, FIXED CARBON FILM, 47K 1/4W(3 5% TA52	
		R702	ORD4702Q609	RESISTOR, FIXED CARBON FILM, 47K 1/4W(3 5% TA52	
		R703	ORD1202Q609	RESISTOR, FIXED CARBON FILM, 12K 1/4W(3 5% TA52	
		R704	ORD4701Q609	RESISTOR, FIXED CARBON FILM, 4.70K 1/4W(3 5% TA52	
		R705	ORD8202Q609	RESISTOR, FIXED CARBON FILM, 82K 1/4W(3 5% TA52	
		R706	ORN2701F409	RESISTOR, FIXED METAL FILM, 2.70K 1/6W 1% TA52	
		R707	ORN1801F409	RESISTOR, FIXED METAL FILM, 1.80K 1/6W 1% TA52	
		R708	ORN1101F409	RESISTOR, FIXED METAL FILM, 1.10K 1/6W 1% TA52	
		R709	ORD2202Q609	RESISTOR, FIXED CARBON FILM, 22K 1/4W(3 5% TA52	
		R710	ORD1000Q609	RESISTOR, FIXED CARBON FILM, 100 1/4W(3 5% TA52	
		R711	ORD1000Q609	RESISTOR, FIXED CARBON FILM, 100 1/4W(3 5% TA52	
		R712	ORD1802Q609	RESISTOR, FIXED CARBON FILM, 18K 1/4W(3 5% TA52	
		R713	ORD4301Q609	RESISTOR, FIXED CARBON FILM, 4.30K 1/4W(3 5% TA52	
		R714	ORD1502Q609	RESISTOR, FIXED CARBON FILM, 15K 1/4W(3 5% TA52	
		R715	ORD3002Q609	RESISTOR, FIXED CARBON FILM, 30K 1/4W(3 5% TA52	
		R716	ORD2402Q609	RESISTOR, FIXED CARBON FILM, 24K 1/4W(3 5% TA52	
△		R717	ORD1001Q609	RESISTOR, FIXED CARBON FILM, 1K 1/4W(3 5% TA52	
△		R718	ORD5102Q509	RESISTOR, FIXED CARBON FILM, 51K OHM 1/4 W (3.4) 2% TA52	
△		R719	ORN3601F409	RESISTOR, FIXED METAL FILM, 3.6K 1/6W 1 TA52	
		R720	ORD0471Q609	RESISTOR, FIXED CARBON FILM, 4.70 1/4W(3 5% TA52	
		R721	ORD2401Q609	RESISTOR, FIXED CARBON FILM, 2.40K 1/4W(3 5% TA52	
		R722	ORD1001Q609	RESISTOR, FIXED CARBON FILM, 1K 1/4W(3 5% TA52	
		R723	ORD1001Q609	RESISTOR, FIXED CARBON FILM, 1K 1/4W(3 5% TA52	
		R724	ORD1001Q609	RESISTOR, FIXED CARBON FILM, 1K 1/4W(3 5% TA52	
		R725	ORD0102Q609	RESISTOR, FIXED CARBON FILM, 10 1/4W(3 5% TA52	
		R726	ORD0472A609	RESISTOR, FIXED CARBON FILM, 47 OHM 1/2 W (7.0) 5% TA52	
		R727	ORX0362K607	RESISTOR, SMALL FIX METAL FILM OXIDE, 36 OHM 2 W 5% TA62	
		R728	ORD1001Q609	RESISTOR, FIXED CARBON FILM, 1K 1/4W(3 5% TA52	
		R729	ORD1002Q609	RESISTOR, FIXED CARBON FILM, 10K 1/4W(3 5% TA52	
		R730	ORD3000A609	RESISTOR, FIXED CARBON FILM, 300 OHM 1/2 W (7.0) 5% TA52	
		R731	ORD0271A609	RESISTOR, FIXED CARBON FILM, 2.7 OHM 1/2 W (7.0) 5% TA52	
		R732	ORD1002Q609	RESISTOR, FIXED CARBON FILM, 10K 1/4W(3 5% TA52	
		R733	ORD6801Q609	RESISTOR, FIXED CARBON FILM, 6.80K 1/4W(3 5% TA52	
		R734	ORD1802Q609	RESISTOR, FIXED CARBON FILM, 18K 1/4W(3 5% TA52	
		R735	ORD1001Q609	RESISTOR, FIXED CARBON FILM, 1K 1/4W(3 5% TA52	
		R736	ORN1003F409	RESISTOR, FIXED METAL FILM, 100K 1/6W 1 TA52	

MODEL: FLATRON 775FT				DATE: 1999. 10. 1.	
*S	*AL	LOC. NO.	PART NO.	DESCRIPTION / SPECIFICATION	REMARK
		R737	ORD1002Q609	RESISTOR, FIXED CARBON FILM, 10K 1/4W(3 5% TA52	
		R738	ORN1503F409	RESISTOR, FIXED METAL FILM, 150K 1/6W 1% TA52	
		R739	ORD1602Q509	RESISTOR, FIXED CARBON FILM, 16K OHM 1/4 W (3.4) 2% TA52	
		R740	ORN1503F409	RESISTOR, FIXED METAL FILM, 150K 1/6W 1% TA52	
		R741	ORD5102Q509	RESISTOR, FIXED CARBON FILM, 51K OHM 1/4 W (3.4) 2% TA52	
		R742	ORD1502Q609	RESISTOR, FIXED CARBON FILM, 15K 1/4W(3 5% TA52	
		R743	ORD0102Q609	RESISTOR, FIXED CARBON FILM, 10 1/4W(3 5% TA52	
		R744	ORX1500J609	RESISTOR, SMALL FIX METAL FILM OXIDE, 150 OHM 1 W 5% TA52	
		R745	ORD4702Q609	RESISTOR, FIXED CARBON FILM, 47K 1/4W(3 5% TA52	
		R746	ORD2201Q609	RESISTOR, FIXED CARBON FILM, 2.20K 1/4W(3 5% TA52	
		R747	ORD3001Q609	RESISTOR, FIXED CARBON FILM, 3K 1/4W(3 5% TA52	
		R748	ORD4702Q609	RESISTOR, FIXED CARBON FILM, 47K 1/4W(3 5% TA52	
		R749	ORD2201Q609	RESISTOR, FIXED CARBON FILM, 2.20K 1/4W(3 5% TA52	
		R750	ORD3001Q609	RESISTOR, FIXED CARBON FILM, 3K 1/4W(3 5% TA52	
		R751	ORD4702Q609	RESISTOR, FIXED CARBON FILM, 47K 1/4W(3 5% TA52	
		R752	ORD2201Q609	RESISTOR, FIXED CARBON FILM, 2.20K 1/4W(3 5% TA52	
		R753	ORD3001Q609	RESISTOR, FIXED CARBON FILM, 3K 1/4W(3 5% TA52	
		R754	ORD1001Q609	RESISTOR, FIXED CARBON FILM, 1K 1/4W(3 5% TA52	
		R755	ORD1802Q609	RESISTOR, FIXED CARBON FILM, 18K 1/4W(3 5% TA52	
		R756	ORD0472Q609	RESISTOR, FIXED CARBON FILM, 47 1/4W(3 5% TA52	
		R757	ORD0472Q609	RESISTOR, FIXED CARBON FILM, 47 1/4W(3 5% TA52	
		R758	ORD5601Q609	RESISTOR, FIXED CARBON FILM, 5.60K 1/4W(3 5% TA52	
		R759	ORN0270H609	RESISTOR, FIXED METAL FILM, 0.27 1/2W 5 TA52	
		R760	ORD4701Q609	RESISTOR, FIXED CARBON FILM, 4.70K 1/4W(3 5% TA52	
		R761	ORD1502Q609	RESISTOR, FIXED CARBON FILM, 15K 1/4W(3 5% TA52	
		R762	ORD1001Q609	RESISTOR, FIXED CARBON FILM, 1K 1/4W(3 5% TA52	
		R763	ORD1002Q609	RESISTOR, FIXED CARBON FILM, 10K 1/4W(3 5% TA52	
		R764	ORD1002Q609	RESISTOR, FIXED CARBON FILM, 10K 1/4W(3 5% TA52	
		R765	ORD5101Q609	RESISTOR, FIXED CARBON FILM, 5.10K 1/4W(3 5% TA52	
		R766	ORD1002Q609	RESISTOR, FIXED CARBON FILM, 10K 1/4W(3 5% TA52	
		R767	ORD8201Q609	RESISTOR, FIXED CARBON FILM, 8.20K 1/4W(3 5% TA52	
		R768	ORD3001Q609	RESISTOR, FIXED CARBON FILM, 3K 1/4W(3 5% TA52	
		R769	ORD4702Q509	RESISTOR, FIXED CARBON FILM, 47000OHM 1/4 W (3.4) 2% TA52	
		R770	ORD1002Q609	RESISTOR, FIXED CARBON FILM, 10K 1/4W(3 5% TA52	
		R771	ORD1000Q609	RESISTOR, FIXED CARBON FILM, 100 1/4W(3 5% TA52	
		R772	ORD1001Q609	RESISTOR, FIXED CARBON FILM, 1K 1/4W(3 5% TA52	
		R773	ORD3002Q609	RESISTOR, FIXED CARBON FILM, 30K 1/4W(3 5% TA52	
△		R774	ORD3602Q609	RESISTOR, FIXED CARBON FILM, 36K 1/4W(3 5% TA52	
		R775	ORD8202Q609	RESISTOR, FIXED CARBON FILM, 82K 1/4W(3 5% TA52	
		R777	ORD2003A609	RESISTOR, FIXED CARBON FILM, 200K OHM 1/2 W (7.0) 5% TA52	
		R778	ORD4303A609	RESISTOR, FIXED CARBON FILM, 430K OHM 1/2 W (7.0) 5% TA52	
		R781	ORD0472A609	RESISTOR, FIXED CARBON FILM, 47 OHM 1/2 W (7.0) 5% TA52	
		R783	ORD5103Q609	RESISTOR, FIXED CARBON FILM, 510K 1/4W(3 5% TA52	
		R784	ORD1000Q609	RESISTOR, FIXED CARBON FILM, 100 1/4W(3 5% TA52	
△		R785	ORD3000Q609	RESISTOR, FIXED CARBON FILM, 300 1/4W(3 5% TA52	
		R786	ORD1003Q609	RESISTOR, FIXED CARBON FILM, 100K 1/4W(3 5% TA52	
		R787	ORD8202Q609	RESISTOR, FIXED CARBON FILM, 82K 1/4W(3 5% TA52	
		R788	ORD6801Q609	RESISTOR, FIXED CARBON FILM, 6.80K 1/4W(3 5% TA52	
		R789	ORD1002Q609	RESISTOR, FIXED CARBON FILM, 10K 1/4W(3 5% TA52	
		R790	ORD1001Q609	RESISTOR, FIXED CARBON FILM, 1K 1/4W(3 5% TA52	
		R791	ORD2002Q609	RESISTOR, FIXED CARBON FILM, 20K 1/4W(3 5% TA52	
		R792	ORD2402Q609	RESISTOR, FIXED CARBON FILM, 24K 1/4W(3 5% TA52	
		R793	ORD1003Q609	RESISTOR, FIXED CARBON FILM, 100K 1/4W(3 5% TA52	
		R795	ORD2201Q609	RESISTOR, FIXED CARBON FILM, 2.20K 1/4W(3 5% TA52	
		R796	ORD1303A609	RESISTOR, FIXED CARBON FILM, 130K OHM 1/2 W (7.0) 5% TA52	
		R797	ORN0270G609	RESISTOR, FIXED METAL FILM, 0.27 1/4W 5 TA52	
		R798	ORD1202Q609	RESISTOR, FIXED CARBON FILM, 12K 1/4W(3 5% TA52	
		R799	ORD4303A609	RESISTOR, FIXED CARBON FILM, 430K OHM 1/2 W (7.0) 5% TA52	
		R801	ORD5601Q609	RESISTOR, FIXED CARBON FILM, 5.60K 1/4W(3 5% TA52	
		R802	ORD1002Q609	RESISTOR, FIXED CARBON FILM, 10K 1/4W(3 5% TA52	
		R803	ORD1003Q609	RESISTOR, FIXED CARBON FILM, 100K 1/4W(3 5% TA52	
		R804	ORD3002Q609	RESISTOR, FIXED CARBON FILM, 30K 1/4W(3 5% TA52	
		R805	ORD4700Q609	RESISTOR, FIXED CARBON FILM, 470 OHM 1/4 W (3.4) 5% TA52	
		R806	ORD1000Q609	RESISTOR, FIXED CARBON FILM, 100 1/4W(3 5% TA52	
		R807	ORD1803Q609	RESISTOR, FIXED CARBON FILM, 180K 1/4W(3 5% TA52	
		R808	ORD1004Q609	RESISTOR, FIXED CARBON FILM, 1M OHM 1/4 W (3.4) 5% TA52	

MODEL: FLATRON 775FT				DATE: 1999. 10. 1.	
*S	*AL	LOC. NO.	PART NO.	DESCRIPTION / SPECIFICATION	REMARK
		R809	ORD1003Q609	RESISTOR, FIXED CARBON FILM, 100K 1/4W(3 5% TA52	
		R810	ORD1002Q609	RESISTOR, FIXED CARBON FILM, 10K 1/4W(3 5% TA52	
		R811	ORD1503Q609	RESISTOR, FIXED CARBON FILM, 150K 1/4W(3 5% TA52	
		R812	ORD1004Q609	RESISTOR, FIXED CARBON FILM, 1M OHM 1/4 W (3.4) 5% TA52	
		R813	ORD5603Q609	RESISTOR, FIXED CARBON FILM, 560K 1/4W(3 5% TA52	
△		R815	ORD4700Q609	RESISTOR, FIXED CARBON FILM, 470 OHM 1/4 W (3.4) 5% TA52	
		R816	ORN7501F409	RESISTOR, FIXED METAL FILM, 7.50K 1/6W 1% TA52	
		R817	ORD2001Q609	RESISTOR, FIXED CARBON FILM, 2K 1/4W(3 5% TA52	
△		R818	ORN1502F409	RESISTOR, FIXED METAL FILM, 15K 1/6W 1% TA52	
		R820	ORD3001Q609	RESISTOR, FIXED CARBON FILM, 3K 1/4W(3 5% TA52	
		R821	ORD2002Q609	RESISTOR, FIXED CARBON FILM, 20K 1/4W(3 5% TA52	
		R822	ORD2201Q609	RESISTOR, FIXED CARBON FILM, 2.20K 1/4W(3 5% TA52	
		R823	ORD4700Q609	RESISTOR, FIXED CARBON FILM, 470 OHM 1/4 W (3.4) 5% TA52	
△		R902	ORMZTWD001A	RESISTOR, CEMENT, 4.7 OHM 5 W 5% B RWR	
△		R903	ORD3302A609	RESISTOR, FIXED CARBON FILM, 33K OHM 1/2 W (7.0) 5% TA52	
△		R904	ORD3302A609	RESISTOR, FIXED CARBON FILM, 33K OHM 1/2 W (7.0) 5% TA52	
		R905	ORD4701Q609	RESISTOR, FIXED CARBON FILM, 4.70K 1/4W(3 5% TA52	
		R906	ORD1001Q609	RESISTOR, FIXED CARBON FILM, 1K 1/4W(3 5% TA52	
		R907	ORB0150J609	RESISTOR, FIX WIRE-WOUND PRECISION, 0.15 OHM 1W 5% TA52	
		R908	ORD2001Q609	RESISTOR, FIXED CARBON FILM, 2K 1/4W(3 5% TA52	
		R909	ORD1004Q609	RESISTOR, FIXED CARBON FILM, 1M OHM 1/4 W (3.4) 5% TA52	
		R910	ORD1003A609	RESISTOR, FIXED CARBON FILM, 100K OHM 1/2 W (7.0) 5% TA52	
		R911	ORD1003A609	RESISTOR, FIXED CARBON FILM, 100K OHM 1/2 W (7.0) 5% TA52	
		R912	180-465A	RESISTOR, CEMENT, 0.56 OHM 5W 5% B RWR	
		R913	ORN0390H609	RESISTOR, FIXED METAL FILM, 0.39 1/2W 5 TA52	
		R914	ORD1001Q609	RESISTOR, FIXED CARBON FILM, 1K 1/4W(3 5% TA52	
		R915	ORD6200Q609	RESISTOR, FIXED CARBON FILM, 620 1/4W(3 5% TA52	
		R916	ORD1002Q609	RESISTOR, FIXED CARBON FILM, 10K 1/4W(3 5% TA52	
		R918	ORD2702Q609	RESISTOR, FIXED CARBON FILM, 27K 1/4W(3 5% TA52	
		R919	ORD1004Q609	RESISTOR, FIXED CARBON FILM, 1M OHM 1/4 W (3.4) 5% TA52	
		R921	ORD0202A609	RESISTOR, FIXED CARBON FILM, 20 OHM 1/2 W (7.0) 5% TA52	
		R922	ORD1501Q609	RESISTOR, FIXED CARBON FILM, 1.50K 1/4W(3 5% TA52	
△		R923	ORN7502G409	RESISTOR, FIXED METAL FILM, 75 KOHM 1/4 W 1% TA52	
△		R924	ORN6802G409	RESISTOR, FIXED METAL FILM, 68K 1/4W 1 TA52	
		R925	ORN0270H609	RESISTOR, FIXED METAL FILM, 0.27 1/2W 5 TA52	
△		R926	ORN2001F409	RESISTOR, FIXED METAL FILM, 2K 1/6W 1% TA52	
		R927	ORN0220H609	RESISTOR, FIXED METAL FILM, 0.22 1/2W 5% TA52	
		R928	ORD1000Q609	RESISTOR, FIXED CARBON FILM, 100 1/4W(3 5% TA52	
		R929	ORX4700J609	RESISTOR, SMALL FIX METAL FILM OXIDE, 470 OHM 1 W 5% TA52	
		R930	ORD4701Q609	RESISTOR, FIXED CARBON FILM, 4.70K 1/4W(3 5% TA52	
		R931	ORD1001Q609	RESISTOR, FIXED CARBON FILM, 1K 1/4W(3 5% TA52	
		R932	ORD1003Q609	RESISTOR, FIXED CARBON FILM, 100K 1/4W(3 5% TA52	
		R933	ORD1501Q609	RESISTOR, FIXED CARBON FILM, 1.50K 1/4W(3 5% TA52	
		R934	ORD9103Q609	RESISTOR, FIXED CARBON FILM, 910K OHM 1/4 W (3.4) 5% TA52	
		R935	ORD1001Q609	RESISTOR, FIXED CARBON FILM, 1K 1/4W(3 5% TA52	
		R936	ORD2403A609	RESISTOR, FIXED CARBON FILM, 240K OHM 1/2 W (7.0) 5% TA52	
		R939	ORD0472Q609	RESISTOR, FIXED CARBON FILM, 47 1/4W(3 5% TA52	
		R941	ORD1001Q609	RESISTOR, FIXED CARBON FILM, 1K 1/4W(3 5% TA52	
		R942	ORD0472A609	RESISTOR, FIXED CARBON FILM, 47 OHM 1/2 W (7.0) 5% TA52	
		R943	ORD1502Q609	RESISTOR, FIXED CARBON FILM, 15K 1/4W(3 5% TA52	
△		R944	ORN7501F409	RESISTOR, FIXED METAL FILM, 7.50K 1/6W 1% TA52	
		R945	ORD3901Q609	RESISTOR, FIXED CARBON FILM, 3.90K 1/4W(3 5% TA52	
		R946	ORD0431Q609	RESISTOR, FIXED CARBON FILM, 4.3 OHM 1/4 W (3.4) 5% TA52	
		R7991	ORD5602Q609	RESISTOR, FIXED CARBON FILM, 56K 1/4W(3 5% TA52	
		R7992	ORD3001Q609	RESISTOR, FIXED CARBON FILM, 3K 1/4W(3 5% TA52	
		R7993	ORD2201Q609	RESISTOR, FIXED CARBON FILM, 2.20K 1/4W(3 5% TA52	
		R7994	ORD4702Q609	RESISTOR, FIXED CARBON FILM, 47K 1/4W(3 5% TA52	
		R7995	ORD5602Q609	RESISTOR, FIXED CARBON FILM, 56K 1/4W(3 5% TA52	
OTHERs					
		F1	430-858C	FUSE HOLDER, AFC-520 BAE EUN TA	
		F2	430-858C	FUSE HOLDER, AFC-520 BAE EUN TA	
△		F901	131-040C	FUSE, TIME LAG, 3150MA 250V 5.2X20 CY/GL UL / CSA LITTELFUSE	
		RL701	141-014B	RELAY, UT205-12SC YUYU 250VAC 5A 12V 30MA 400 OHM 1C	
△		RL901	141-039A	RELAY, JW2HN-DC12V MATSUSHITA 250VAC 5A 12V 44MA 270 OHM	

MODEL: FLATRON 775FT				DATE: 1999. 10. 1.	
*S	*AL	LOC. NO.	PART NO.	DESCRIPTION / SPECIFICATION	REMARK
△		SC901	6200TJB001E	FILTER(CIRC), EMI, 02MP2 DELTA .	
		SG501	165-004A	SPARK GAP, AG20PT 152F-L3N/S-23 HANDOK RADIAL BULK	
△		T701	6174Z-1031A	FBT (FLY BACK TRANSFORMER), FMMTC71-M1031A MNT (CHOI BYEONG IK)	
		T703	151-515B	TRANSFORMER, HORIZONTAL DRIVER, EI2519 3.4MH H-DRIVE	
△		T901	6170TMZ079A	TRANSFORMER, SMPS, EER4045 195 UH V-18PIN FB775B SI/JS .	
△		TH901	6322TB070AA	THERMISTOR, PTC, J503P63D070M290S JA HWA +/- 20% 220V -10/+85 P6	
		VR701	180-035G	VOLUME, EVN-DJAA03B13 (MEC),1KB	
		VR702	180-038N	VOLUME, EVM-EGS AOOB15	
		VR901	180-035D	VOLUME, EVN-DJAA03B32 (MEC),300B	
		WG2	387-P91A	CONNECTOR ASSY, UL1015 AWG22	
		X401	6202TTB001A	CRYSTAL, HC-49/U SUNNY E 6.000000MHZ 30PPM 16PF BK	
<b>VIDEO BOARD</b>					
<b>CAPACITORs</b>					
	or	C301	181-288B	CAPACITOR, POLYESTER, MKT 100V 104JTR PHS26104	
		C302	0CE1076D618	CAPACITOR, AL.ELECTROLYTIC, 100M SMS 10V M FM5 TP(5)	
		C303	0CZZTFT001Z	CAPACITOR, ECQB1H104JM3 104J 50V TP5.0 MATSUSHITA	
		C303	181-288B	CAPACITOR,POLYESTER, MKT 100V 104JTR PHS26104	
		C306	181-288K	CAPACITOR, POLYESTER, MKT 100V 683JTR PHS26683	
		C307	0CH3104K946	CAPACITOR, CHIP[CERAMIC LD-LESS HD], 100000PF 50V Z F 2012 R/TP	
		C308	0CE1076D618	CAPACITOR, AL.ELECTROLYTIC, 100M SMS 10V M FM5 TP(5)	
		C309	0CK2230K945	CAPACITOR, CERAMIC (HIGH DIELECTRIC), 0.022UF 50V Z F TR	
		C310	0CK2230K945	CAPACITOR, CERAMIC (HIGH DIELECTRIC), 0.022UF 50V Z F TR	
		C311	0CK2230K945	CAPACITOR, CERAMIC (HIGH DIELECTRIC), 0.022UF 50V Z F TR	
		C312	0CE1076F618	CAPACITOR, AL.ELECTROLYTIC, 100UF SMS 16V M TP(5)	
		C313	0CH3104K946	CAPACITOR, CHIP[CERAMIC LD-LESS HD], 100000PF 50V Z F 2012 R/TP	
		C314	0CH3104K946	CAPACITOR, CHIP[CERAMIC LD-LESS HD], 100000PF 50V Z F 2012 R/TP	
		C315	0CH3104K946	CAPACITOR, CHIP[CERAMIC LD-LESS HD], 100000PF 50V Z F 2012 R/TP	
		C316	0CH3104K946	CAPACITOR, CHIP[CERAMIC LD-LESS HD], 100000PF 50V Z F 2012 R/TP	
		C317	0CH3104K946	CAPACITOR, CHIP[CERAMIC LD-LESS HD], 100000PF 50V Z F 2012 R/TP	
		C318	0CE476CN618	CAPACITOR, AL.ELECTROLYTIC, 47UF SHL 100V M FL TP5	
		C319	181-288B	CAPACITOR, POLYESTER, MKT 100V 104JTR PHS26104	
		C320	181-288E	CAPACITOR, POLYESTER, MKT 100V 474JTR PHS 26474	
		C321	0CE477CF618	CAPACITOR, AL.ELECTROLYTIC, 470UF SHL 16V M FL TP5	
		C322	181-288E	CAPACITOR, POLYESTER, MKT 100V 474JTR PHS 26474	
		C323	181-288E	CAPACITOR, POLYESTER, MKT 100V 474JTR PHS 26474	
		C324	181-288E	CAPACITOR, POLYESTER, MKT 100V 474JTR PHS 26474	
		C325	181-288E	CAPACITOR, POLYESTER, MKT 100V 474JTR PHS 26474	
		C327	181-288G	CAPACITOR, POLYESTER, MKT 100V 334JTR PHS26334	
		C329	0CK10301510	CAPACITOR, CERAMIC (HIGH DIELECTRIC), 0.01M 1KV K B S	
		C330	0CK10301510	CAPACITOR, CERAMIC (HIGH DIELECTRIC), 0.01M 1KV K B S	
		C331	0CC4700W405	CAPACITOR, CERAMIC (TEMP. COMPENSATE), 47PF 500V J SL TP	
		C333	0CK2220K515	CAPACITOR, CERAMIC (HIGH DIELECTRIC), 2200P 50V K B TS	
		C334	0CK3320W515	CAPACITOR, CERAMIC (HIGH DIELECTRIC), 3300P 500V K B TS	
		C335	0CE336CF630	CAPACITOR, AL.ELECTROLYTIC, 33U SHL 160V M FM5	
		C336	0CK3320W515	CAPACITOR, CERAMIC (HIGH DIELECTRIC), 3300P 500V K B TS	
		C337	0CH3104K946	CAPACITOR, CHIP[CERAMIC LD-LESS HD], 100000PF 50V Z F 2012 R/TP	
		C339	0CH3104K946	CAPACITOR, CHIP[CERAMIC LD-LESS HD], 100000PF 50V Z F 2012 R/TP	
		C340	0CH3104K946	CAPACITOR, CHIP[CERAMIC LD-LESS HD], 100000PF 50V Z F 2012 R/TP	
		C341	0CH3104K946	CAPACITOR, CHIP[CERAMIC LD-LESS HD], 100000PF 50V Z F 2012 R/TP	
		C343	181-288E	CAPACITOR, POLYESTER, MKT 100V 474JTR PHS 26474	
		C344	181-288E	CAPACITOR, POLYESTER, MKT 100V 474JTR PHS 26474	
		C348	181-288B	CAPACITOR, POLYESTER, MKT 100V 104JTR PHS26104	
		C350	0CH6221K416	CAPACITOR, CHIP[CERAMIC LD-LESS TC], 220PF 50V J NP0 2012 R/TP	
		C351	0CH6102K406	CAPACITOR, CHIP[CERAMIC LD-LESS TC], 1000PF 50V J SL 2012 R/TP	
		C352	0CH6102K406	CAPACITOR, CHIP[CERAMIC LD-LESS TC], 1000PF 50V J SL 2012 R/TP	
		C353	0CN1020K519	CAPACITOR, TUBULAR(HIGH DIELEC), 1000P 50V K B TA52	
		C354	0CK5610W515	CAPACITOR, CERAMIC (HIGH DIELECTRIC), 560P 500V K B TS	
		C355	0CK5610W515	CAPACITOR, CERAMIC (HIGH DIELECTRIC), 560P 500V K B TS	
		C356	0CK5610W515	CAPACITOR, CERAMIC (HIGH DIELECTRIC), 560P 500V K B TS	
		C357	0CE2266F618	CAPACITOR, AL.ELECTROLYTIC, 22M SMS 16V M FM5 TP(5)	
		C359	0CE2266F618	CAPACITOR, AL.ELECTROLYTIC, 22M SMS 16V M FM5 TP(5)	
		C370	0CH3104K946	CAPACITOR, CHIP[CERAMIC LD-LESS HD], 100000PF 50V Z F 2012 R/TP	
		C371	0CE1066N618	CAPACITOR, AL.ELECTROLYTIC, 10M SMS 100V M FM5 TP5	
		C372	0CN1040K949	CAPACITOR, TUBULAR(HIGH DIELEC), 0.1M 50V Z F TA52	

MODEL: FLATRON 775FT				DATE: 1999. 10. 1.	
*S	*AL	LOC. NO.	PART NO.	DESCRIPTION / SPECIFICATION	REMARK
		C373	0CK1020W515	CAPACITOR, CERAMIC (HIGH DIELECTRIC), 1000P 500V K B TS	
		C374	181-288B	CAPACITOR, POLYESTER, MKT 100V 104JTR PHS26104	
		C375	0CK3320W515	CAPACITOR, CERAMIC (HIGH DIELECTRIC), 3300P 500V K B TS	
		C385	0CH3103K516	CAPACITOR, CHIP[CERAMIC LD-LESS HD], 10000PF 50V K B 2012 R/TP	
		C386	0CH3103K516	CAPACITOR, CHIP[CERAMIC LD-LESS HD], 10000PF 50V K B 2012 R/TP	
		C387	0CH3103K516	CAPACITOR, CHIP[CERAMIC LD-LESS HD], 10000PF 50V K B 2012 R/TP	
DIODEs					
		D301	0DS113309AA	DIODE, SWITCHING, 1SS133 TP ROHM KOREA DO34 90V 0.4A 0.6A 4.0NSEC	
		D302	0DS113309AA	DIODE, SWITCHING, 1SS133 TP ROHM KOREA DO34 90V 0.4A 0.6A 4.0NSEC	
		D303	0DS113309AA	DIODE, SWITCHING, 1SS133 TP ROHM KOREA DO34 90V 0.4A 0.6A 4.0NSEC	
		D304	0DS113309AA	DIODE, SWITCHING, 1SS133 TP ROHM KOREA DO34 90V 0.4A 0.6A 4.0NSEC	
		D305	0DS113309AA	DIODE, SWITCHING, 1SS133 TP ROHM KOREA DO34 90V 0.4A 0.6A 4.0NSEC	
		D306	0DS113309AA	DIODE, SWITCHING, 1SS133 TP ROHM KOREA DO34 90V 0.4A 0.6A 4.0NSEC	
		D307	0DS113309AA	DIODE, SWITCHING, 1SS133 TP ROHM KOREA DO34 90V 0.4A 0.6A 4.0NSEC	
		D308	0DS113309AA	DIODE, SWITCHING, 1SS133 TP ROHM KOREA DO34 90V 0.4A 0.6A 4.0NSEC	
		D309	0DS113309AA	DIODE, SWITCHING, 1SS133 TP ROHM KOREA DO34 90V 0.4A 0.6A 4.0NSEC	
		D310	0DS113309AA	DIODE, SWITCHING, 1SS133 TP ROHM KOREA DO34 90V 0.4A 0.6A 4.0NSEC	
		D311	0DS113309AA	DIODE, SWITCHING, 1SS133 TP ROHM KOREA DO34 90V 0.4A 0.6A 4.0NSEC	
		D312	0DS113309AA	DIODE, SWITCHING, 1SS133 TP ROHM KOREA DO34 90V 0.4A 0.6A 4.0NSEC	
		D313	0DS113309AA	DIODE, SWITCHING, 1SS133 TP ROHM KOREA DO34 90V 0.4A 0.6A 4.0NSEC	
		D314	0DS113309AA	DIODE, SWITCHING, 1SS133 TP ROHM KOREA DO34 90V 0.4A 0.6A 4.0NSEC	
		D315	0DS113309AA	DIODE, SWITCHING, 1SS133 TP ROHM KOREA DO34 90V 0.4A 0.6A 4.0NSEC	
		D316	0DS113309AA	DIODE, SWITCHING, 1SS133 TP ROHM KOREA DO34 90V 0.4A 0.6A 4.0NSEC	
		D317	0DS113309AA	DIODE, SWITCHING, 1SS133 TP ROHM KOREA DO34 90V 0.4A 0.6A 4.0NSEC	
		D318	0DS113309AA	DIODE, SWITCHING, 1SS133 TP ROHM KOREA DO34 90V 0.4A 0.6A 4.0NSEC	
		ZD301	0DZ560009CE	DIODE, ZENER, MTZJ5.6B TP ROHM-K DO34 500MW 5.6V 5MA 26MM	
		ZD302	0DZ560009CE	DIODE, ZENER, MTZJ5.6B TP ROHM-K DO34 500MW 5.6V 5MA 26MM	
		ZD303	0DZ560009CE	DIODE, ZENER, MTZJ5.6B TP ROHM-K DO34 500MW 5.6V 5MA 26MM	
ICs					
		IC301	0IMO456820A	IC, MOTOROLA, LSC4568P2 16,DIP BK OSD 3RD TOOL REV3	
		IC302	0IPH488600A	IC, PHILIPS, TDA4886 SDIP24 BK 120MHZ VIDEO PREAMP IC	
		IC303	0INS243700A	IC, NATIONAL SEMICONDUCTOR, LM2437T 9P BK 7.5NS CRT DRIVER	
		IC304	0ISS780800A	IC, SAMSUNG ELECTRONICS, KA7808 (KA7808C) REGULATOR	
COILs & COREs					
		L301	0LA1000K119	INDUCTOR, AXIAL LEAD, 100UH K 2.3*3.4 TP	
		L302	0LA0560K119	INDUCTOR, AXIAL LEAD, 0.56UH K 2.3*3.4 TP	
		L303	0LA0560K119	INDUCTOR, AXIAL LEAD, 0.56UH K 2.3*3.4 TP	
		L304	0LA0560K119	INDUCTOR, AXIAL LEAD, 0.56UH K 2.3*3.4 TP	
		L308	971-0054	WIRE, JUMP. TIN 50MM TAPING	
		L309	6200TEZ001B	FILTER(CIRC), CAPACITOR, ZJSC-R15-180(TA)TDK	
		L310	6200TEZ001B	FILTER(CIRC), CAPACITOR, ZJSC-R15-180(TA)TDK	
		L311	6200TEZ001B	FILTER(CIRC), CAPACITOR, ZJSC-R15-180(TA)TDK	
	or	FB301	6210TCE003A	CORE (CIRC), BEAD, BRD3510B BO SUNG 3510MM RADIAL	
		FB301	125-155A	CORE (CIRC), BEAD, BFD3510R2FG SAMWHA 3.5*10MM RADIAL	
		FB302	125-155F	CORE (CIRC), BEAD, BFD3580R2FG SAMWHA 3.5*8.0MM RADIAL	
		FB303	6210TCE003J	CORE (CIRC), BEAD, BAS2550T BO SUNG 2550MM AXIAL52MM	
		FB304	6210TCE003J	CORE (CIRC), BEAD, BAS2550T BO SUNG 2550MM AXIAL52MM	
		FB305	6210TCE003J	CORE (CIRC), BEAD, BAS2550T BO SUNG 2550MM AXIAL52MM	
		FB306	125-155F	CORE (CIRC), BEAD, BFD3580R2FG SAMWHA 3.5*8.0MM RADIAL	
		FB307	125-155F	CORE (CIRC), BEAD, BFD3580R2FG SAMWHA 3.5*8.0MM RADIAL	
		FB308	6210TCE003A	CORE (CIRC), BEAD, BRD3510B BO SUNG 3510MM RADIAL	
	or	FB308	125-155A	CORE (CIRC), BEAD, BFD3510R2FG SAMWHA 3.5*10MM RADIAL	
		FB309	125-155F	CORE (CIRC), BEAD, BFD3580R2FG SAMWHA 3.5*8.0MM RADIAL	
		FB310	125-155F	CORE (CIRC), BEAD, BFD3580R2FG SAMWHA 3.5*8.0MM RADIAL	
		FB311	125-155F	CORE (CIRC), BEAD, BFD3580R2FG SAMWHA 3.5*8.0MM RADIAL	
		FB312	6210TCE003J	CORE (CIRC), BEAD, BAS2550T BO SUNG 2550MM AXIAL52MM	
		FB313	125-155F	CORE (CIRC), BEAD, BFD3580R2FG SAMWHA 3.5*8.0MM RADIAL	
		FB315	125-155F	CORE (CIRC), BEAD, BFD3580R2FG SAMWHA 3.5*8.0MM RADIAL	
		FB331	6210TCE001L	CORE (CIRC), BEAD, HB-1T2012-102JT CERATECH 2012MM R/TP	
		FB332	6210TCE001L	CORE (CIRC), BEAD, HB-1T2012-102JT CERATECH 2012MM R/TP	
		FB333	6210TCE001L	CORE (CIRC), BEAD, HB-1T2012-102JT CERATECH 2012MM R/TP	

MODEL: FLATRON 775FT				DATE: 1999. 10. 1.	
*S	*AL	LOC. NO.	PART NO.	DESCRIPTION / SPECIFICATION	REMARK
TRANSISTORS					
		Q301	0TR390409CA	TRANSISTOR, 2N3904 TP SAMSUNG TO92 NPN	
		Q302	0TR945009AA	TRANSISTOR, KSC945C-Y TP SAMSUNG TO92 NPN EPI. SILICON TR	
	or	Q302	0TR319809AA	TRANSISTOR, KTC3198-Y(KTC1815) TP KEC TO92 NPN	
		Q303	0TR945009AA	TRANSISTOR, KSC945C-Y TP SAMSUNG TO92 NPN EPI. SILICON TR	
	or	Q303	0TR319809AA	TRANSISTOR, KTC3198-Y(KTC1815) TP KEC TO92 NPN	
		Q304	0TR945009AA	TRANSISTOR, KSC945C-Y TP SAMSUNG TO92 NPN EPI. SILICON TR	
	or	Q304	0TR319809AA	TRANSISTOR, KTC3198-Y(KTC1815) TP KEC TO92 NPN	
		Q305	0TR231009AA	TRANSISTOR, KSC2310-Y TP SAMSUNG TO92L NPN	
	or	Q305	0TR320609AB	TRANSISTOR, KTC3206-Y(KTC2229) TP KEC TO92L NPN	
		Q306	0TR231009AA	TRANSISTOR, KSC2310-Y TP SAMSUNG TO92L NPN	
	or	Q306	0TR320609AB	TRANSISTOR, KTC3206-Y(KTC2229) TP KEC TO92L NPN	
		Q307	0TR231009AA	TRANSISTOR, KSC2310-Y TP SAMSUNG TO92L NPN	
	or	Q307	0TR320609AB	TRANSISTOR, KTC3206-Y(KTC2229) TP KEC TO92L NPN	
RESISTORS					
		R301	0RH0752D622	RESISTOR, CHIP, 75 1/10W 5 D.R/TP	
		R302	0RH0752D622	RESISTOR, CHIP, 75 1/10W 5 D.R/TP	
		R303	0RH0752D622	RESISTOR, CHIP, 75 1/10W 5 D.R/TP	
		R304	0RD1801Q609	RESISTOR, FIXED CARBON FILM, 1.80K 1/4W(3 5% TA52	
		R305	0RD1501Q609	RESISTOR, FIXED CARBON FILM, 1.50K 1/4W(3 5% TA52	
		R306	0RD5601Q609	RESISTOR, FIXED CARBON FILM, 5.60K 1/4W(3 5% TA52	
		R307	0RD1004Q609	RESISTOR, FIXED CARBON FILM, 1M OHM 1/4 W (3.4) 5% TA52	
		R308	0RD1000Q609	RESISTOR, FIXED CARBON FILM, 100 1/4W(3 5% TA52	
		R309	0RD4700Q609	RESISTOR, FIXED CARBON FILM, 470 OHM 1/4 W (3.4) 5% TA52	
		R310	0RD1002Q609	RESISTOR, FIXED CARBON FILM, 10K 1/4W(3 5% TA52	
		R311	0RH1000D622	RESISTOR, CHIP, 100 1/10W 5 D.R/TP	
		R312	0RD1000Q609	RESISTOR, FIXED CARBON FILM, 100 1/4W(3 5% TA52	
		R313	0RD1000Q609	RESISTOR, FIXED CARBON FILM, 100 1/4W(3 5% TA52	
		R314	0RD1001Q609	RESISTOR, FIXED CARBON FILM, 1K 1/4W(3 5% TA52	
		R315	0RD1000Q609	RESISTOR, FIXED CARBON FILM, 100 1/4W(3 5% TA52	
		R316	0RD1000Q609	RESISTOR, FIXED CARBON FILM, 100 1/4W(3 5% TA52	
		R317	0RD0221Q609	RESISTOR, FIXED CARBON FILM, 2.20 1/4W(3 5% TA52	
		R318	0RD1000Q609	RESISTOR, FIXED CARBON FILM, 100 1/4W(3 5% TA52	
		R319	0RD0332Q609	RESISTOR, FIXED CARBON FILM, 33 1/4W(3 5% TA52	
		R320	0RD0332Q609	RESISTOR, FIXED CARBON FILM, 33 1/4W(3 5% TA52	
		R321	0RD0332Q609	RESISTOR, FIXED CARBON FILM, 33 1/4W(3 5% TA52	
		R322	0RD1000Q609	RESISTOR, FIXED CARBON FILM, 100 1/4W(3 5% TA52	
		R323	0RD1000Q609	RESISTOR, FIXED CARBON FILM, 100 1/4W(3 5% TA52	
		R324	0RH7500D622	RESISTOR, CHIP, 750 OHM 1 / 10 W 5% D R/TP	
		R325	0RH1001D622	RESISTOR, CHIP, 1.0K 1/10W 5 D.R/TP	
		R326	0RH1001D622	RESISTOR, CHIP, 1.0K 1/10W 5 D.R/TP	
		R327	0RH1001D622	RESISTOR, CHIP, 1.0K 1/10W 5 D.R/TP	
		R328	0RH0561D622	RESISTOR, CHIP, 5.6 1/10W 5 TA	
		R329	0RD0561Q609	RESISTOR, FIXED CARBON FILM, 5.60 1/4W(3 5% TA52	
		R330	0RD0561Q609	RESISTOR, FIXED CARBON FILM, 5.60 1/4W(3 5% TA52	
		R331	0RD3900Q609	RESISTOR, FIXED CARBON FILM, 390 1/4W(3 5% TA52	
		R332	0RD3900Q609	RESISTOR, FIXED CARBON FILM, 390 1/4W(3 5% TA52	
		R333	0RD3900Q609	RESISTOR, FIXED CARBON FILM, 390 1/4W(3 5% TA52	
		R334	0RD1000Q609	RESISTOR, FIXED CARBON FILM, 100 1/4W(3 5% TA52	
		R335	0RD1000Q609	RESISTOR, FIXED CARBON FILM, 100 1/4W(3 5% TA52	
		R336	0RD1000Q609	RESISTOR, FIXED CARBON FILM, 100 1/4W(3 5% TA52	
		R337	0RD2203Q609	RESISTOR, FIXED CARBON FILM, 220K 1/4W(3 5% TA52	
		R338	0RD1300Q609	RESISTOR, FIXED CARBON FILM, 130 1/4W(3 5% TA52	
		R339	0RD1300Q609	RESISTOR, FIXED CARBON FILM, 130 1/4W(3 5% TA52	
		R340	0RD0332A609	RESISTOR, FIXED CARBON FILM, 33 OHM 1/2 W (7.0) 5% TA52	
		R341	0RD1300Q609	RESISTOR, FIXED CARBON FILM, 130 1/4W(3 5% TA52	
		R342	0RD2203Q609	RESISTOR, FIXED CARBON FILM, 220K 1/4W(3 5% TA52	
		R343	0RD2203Q609	RESISTOR, FIXED CARBON FILM, 220K 1/4W(3 5% TA52	
		R344	0RD0332A609	RESISTOR, FIXED CARBON FILM, 33 OHM 1/2 W (7.0) 5% TA52	
		R345	0RD0332A609	RESISTOR, FIXED CARBON FILM, 33 OHM 1/2 W (7.0) 5% TA52	
		R346	0RD0102Q609	RESISTOR, FIXED CARBON FILM, 10 1/4W(3 5% TA52	
		R347	0RD0102Q609	RESISTOR, FIXED CARBON FILM, 10 1/4W(3 5% TA52	
		R348	0RD0102Q609	RESISTOR, FIXED CARBON FILM, 10 1/4W(3 5% TA52	

MODEL: FLATRON 775FT				DATE: 1999. 10. 1.	
*S	*AL	LOC. NO.	PART NO.	DESCRIPTION / SPECIFICATION	REMARK
		R349	ORD1002A609	RESISTOR, FIXED CARBON FILM, 10K OHM 1/2 W (7.0) 5% TA52	
		R350	ORD1002A609	RESISTOR, FIXED CARBON FILM, 10K OHM 1/2 W (7.0) 5% TA52	
		R351	ORD1002A609	RESISTOR, FIXED CARBON FILM, 10K OHM 1/2 W (7.0) 5% TA52	
		R352	ORD1203Q609	RESISTOR, FIXED CARBON FILM, 120K 1/4W(3 5% TA52	
		R353	ORD1203Q609	RESISTOR, FIXED CARBON FILM, 120K 1/4W(3 5% TA52	
		R354	ORD1203Q609	RESISTOR, FIXED CARBON FILM, 120K 1/4W(3 5% TA52	
		R355	0RH5600D622	RESISTOR, CHIP, 560 1/10W 5 D.R/TP	
		R356	0RH5101D622	RESISTOR, CHIP, 5.1K 1/10W 5 D.R/TP	
		R357	ORD1302Q609	RESISTOR, FIXED CARBON FILM, 13K 1/4W(3 5% TA52	
		R358	0RH5600D622	RESISTOR, CHIP, 560 1/10W 5 D.R/TP	
		R359	0RH5101D622	RESISTOR, CHIP, 5.1K 1/10W 5 D.R/TP	
		R360	ORD1302Q609	RESISTOR, FIXED CARBON FILM, 13K 1/4W(3 5% TA52	
		R361	0RH5600D622	RESISTOR, CHIP, 560 1/10W 5 D.R/TP	
		R362	0RH5101D622	RESISTOR, CHIP, 5.1K 1/10W 5 D.R/TP	
		R363	0RH1302D622	RESISTOR, CHIP, 13K 1/10W 5 TA	
		R364	ORD1000Q609	RESISTOR, FIXED CARBON FILM, 100 1/4W(3 5% TA52	
		R365	ORD0102Q609	RESISTOR, FIXED CARBON FILM, 10 1/4W(3 5% TA52	
		R366	0RH0752D622	RESISTOR, CHIP, 75 1/10W 5 D.R/TP	
		R367	0RH0752D622	RESISTOR, CHIP, 75 1/10W 5 D.R/TP	
		R368	0RH0752D622	RESISTOR, CHIP, 75 1/10W 5 D.R/TP	
		R370	ORD0102Q609	RESISTOR, FIXED CARBON FILM, 10 1/4W(3 5% TA52	
		R371	ORD3301Q609	RESISTOR, FIXED CARBON FILM, 3.30K 1/4W(3 5% TA52	
		R372	ORD1003A609	RESISTOR, FIXED CARBON FILM, 100K OHM 1/2 W (7.0) 5% TA52	
<b>OTHERs</b>					
		SC301	6620TBD003A	SOCKET (CIRC), CPT, PCS701E PARK ELEC. 10PIN 14/360 STRAIGHT	
		SG301	6918TAT005E	SPARK GAP, AXIAL, MTAS-201M GIGA AXIAL TAPING	
		SG302	6918TAT005E	SPARK GAP, AXIAL, MTAS-201M GIGA AXIAL TAPING	
		SG303	6918TAT005E	SPARK GAP, AXIAL, MTAS-201M GIGA AXIAL TAPING	
		SG304	6918TAT005F	SPARK GAP, AXIAL, MTAS-301M GIGA AXIAL TAPING	
		SG305	165-004A	SPARK GAP, AG20PT 152F-L3N/S-23 HANDOK RADIAL BULK	
<b>CONTROL BOARD</b>					
	or	C201	0CN1040K949	CAPACITOR, TUBULAR(HIGH DIELEC), 0.1M 50V Z F TA52	
		D201	0DL571300AA	LED, "SPR571MVW3 TP ROHM GREEN/RED ""10,10MCD""	
		FB201	6210TCE003J	CORE (CIRC), BEAD, BAS2550T BO SUNG 2550MM AXIAL52MM	
		FB201	125-155J	CORE (CIRC), BEAD, BFS2550A0FG SAMWHA 2.5*5.0MM AXIAL52MM	
		R201	ORD1001Q609	RESISTOR, FIXED CARBON FILM, 1K 1/4W(3 5% TA52	
		R202	ORD2400Q609	RESISTOR, FIXED CARBON FILM, 240 OHM 1/4 W (3.4) 5% TA52	
		R203	ORD4300Q609	RESISTOR, FIXED CARBON FILM, 430 1/4W(3 5% TA52	
		R204	ORD8200Q609	RESISTOR, FIXED CARBON FILM, 820 1/4W(3 5% TA52	
		R205	ORD1001Q609	RESISTOR, FIXED CARBON FILM, 1K 1/4W(3 5% TA52	
		R206	ORD2400Q609	RESISTOR, FIXED CARBON FILM, 240 OHM 1/4 W (3.4) 5% TA52	
		R207	ORD4300Q609	RESISTOR, FIXED CARBON FILM, 430 1/4W(3 5% TA52	
		R208	ORD8200Q609	RESISTOR, FIXED CARBON FILM, 820 1/4W(3 5% TA52	
		R209	ORD2401Q609	RESISTOR, FIXED CARBON FILM, 2.40K 1/4W(3 5% TA52	
		R210	ORD3600Q609	RESISTOR, FIXED CARBON FILM, 360 1/4W(3 5% TA52	
		R211	ORD2200Q609	RESISTOR, FIXED CARBON FILM, 220 1/4W(3 5% TA52	
		SW201	140-058D	SWITCH, TACT, SKHV10911A LGEC NON 12 20 HORIZONTAL 160	
		SW202	140-058D	SWITCH, TACT, SKHV10911A LGEC NON 12 20 HORIZONTAL 160	
		SW203	140-058D	SWITCH, TACT, SKHV10911A LGEC NON 12 20 HORIZONTAL 160	
		SW204	140-058D	SWITCH, TACT, SKHV10911A LGEC NON 12 20 HORIZONTAL 160	
		SW205	140-058D	SWITCH, TACT, SKHV10911A LGEC NON 12 20 HORIZONTAL 160	
		SW206	140-058D	SWITCH, TACT, SKHV10911A LGEC NON 12 20 HORIZONTAL 160	
		SW207	140-058D	SWITCH, TACT, SKHV10911A LGEC NON 12 20 HORIZONTAL 160	
		ZD201	0DZ560009CE	DIODE, ZENER, MTZJ5.6B TP ROHM-K DO34 500MW 5.6V 5MA 26MM	
		ZD202	0DZ560009CE	DIODE, ZENER, MTZJ5.6B TP ROHM-K DO34 500MW 5.6V 5MA 26MM	
		ZD203	0DZ560009CE	DIODE, ZENER, MTZJ5.6B TP ROHM-K DO34 500MW 5.6V 5MA 26MM	



MODEL: FLATRON 775FT

DATE: 1999. 10. 1.

*S	*AL	LOC. NO.	PART NO.	DESCRIPTION / SPECIFICATION	REMARK
<b>MISCELLANEOUS</b>					
△		CDT	2423GC3B41K	CDT SET, M41QBF423X 05N6LD	
		CDT EARTH	6868T17004C	CDT EARTH, FB775B TIN WIRE	
		D/COIL	6140TC2007B	DEGAUSSING COIL, "1420MM 16 OHM 0.55MM 150T 17" WITH PURITY	
		P/CORD	6410TEW002B	POWER CORD, YC-22P+YC-5 YU CHOU VDE/SEMKO 1870MM FOR EUROPE	
	or	P/CORD	6410TKW002A	POWER CORD, SP023+IS14 I-SHENG KS 1870MM WALL 85964 GRAY	
		P/CORD	6410TEP002B	POWER CORD, APC14+APC13 VOLEX VDE/SEMKO 1870MM FOR RUSSIA	
		P/CORD	6410TUW001C	POWER CORD, YC-2+YC-5 YU CHOU UL/CSA 1870MM FOR MEXICO	
		P/CORD	6410TBW001C	POWER CORD, SP60+IS14 I-SHENG BSI 1870MM FOR U.K	
		S/CABLE	6866TA9016A	SIGNAL CABLE, UL2990-9C(6.1) AT 1560MM GRAY(85964) FB775BDM	