

Features

- Low Current Consumption: $I_{VDD} < 25 \mu A$
- RC Oscillator
- Internal Reset During Power-up and Supply Voltage Drops (POR)
- “Short” Trigger Window for Active Mode
- “Long” Trigger Window for Sleep Mode
- Cyclical Wake-up of the Microcontroller in Sleep Mode
- Trigger Input
- Single Wake-up Input
- Reset Output
- Enable Output

1. Description

The digital window watchdog timer, ATA5021, is designed in Atmel®'s state-of-the-art 0.8 μm SOI technology SMART-I.S.™1. In applications where safety is critical, it is especially important to monitor the microcontroller. Normal microcontroller operation is indicated by a cyclically transmitted trigger signal, which is received by a window watchdog timer within a defined time window.

A missing or a wrong trigger signal causes the watchdog timer to reset the microcontroller. The IC is tailored for microcontrollers, which can work in both full-power and sleep mode. With an additional voltage monitoring (power-on reset and supply voltage drop reset), the ATA5021 offers a complete monitoring solution for micro-systems in automotive and industrial applications.

www.DataSheet4U.com



Digital Window Watchdog Timer

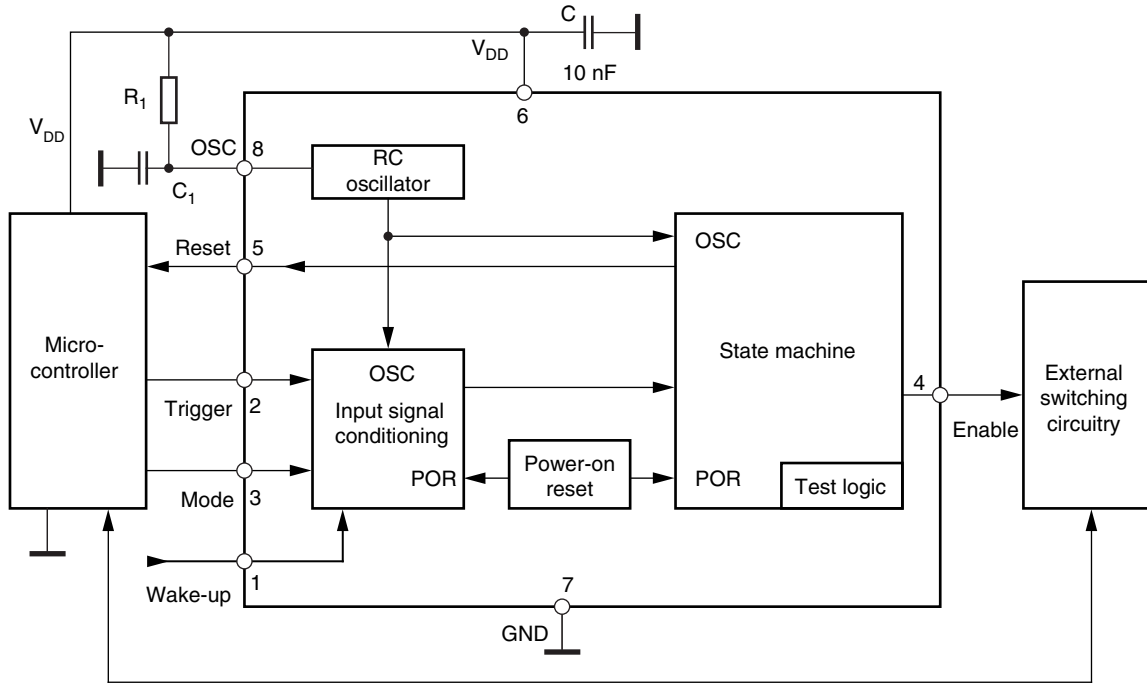
ATA5021

9145D-AUTO-05/10



www.DataSheet4U.com

Figure 1-1. Block Diagram with External Circuit



2. Pin Configuration

Figure 2-1. Pinning SO8

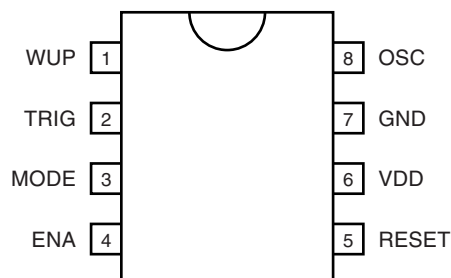


Table 2-1. Pin Description

Pin	Symbol	Function
1	WUP	Wake-up input (pull-down resistor) There is one digitally debounced wake-up input. During the long watchdog window, each signal slope at the input initiates a reset pulse at pin 5.
2	TRG	Trigger input (pull-up resistor) It is connected to the microprocessor's trigger signal.
3	MODE	Mode input (pull-up resistor) The processor's mode signal initiates the switchover between the long and the short watchdog time.
4	ENA	Enable output (push-pull) It is used for the control of peripheral components. It is activated after the processor triggers three times correctly.
5	RESET	Reset output (open drain) Resets the processor in the case of under-voltage condition, a wrong trigger event or if a wake-up event occurs during long watchdog period.
6	VDD	Supply voltage
7	GND	Ground, reference voltage
8	OSC	RC oscillator

3. Functional Description

3.1 Supply Voltage, Pin 6

The ATA5021 requires a stabilized supply voltage $V_{DD} = 5V \pm 10\%$ to comply with its electrical characteristics. An external buffer capacitor of $C = 10 \text{ nF}$ may be connected between pin 6 and GND.

3.2 RC Oscillator, Pin 8

The clock frequency, f , can be adjusted by the components R_1 and C_1 according to the formula:

$$f = \frac{1}{T} \text{ with}$$

$$T = 0.18 \times (C_1 + C_{\text{board}} + 0.016) + 0.35 + [1.59 - (C_1 + C_{\text{board}} + 0.016)/85] \times R_1 \times (C_1 + C_{\text{board}} + 0.016)$$

R_1 (k Ω) = external resistor at pin 8

C_1 (nF) = external capacitor at pin 8

$C_{\text{board}} = 0.004 \text{ nF}$; this is the parasitic test board capacity caused by additional wiring on the test assembly. With frequency calculations of original boards, this parasitic capacitor can be omitted.

Table 3-1. Comparison Table Clock Period Calculation versus Measurement on Test Board

R1 (k Ω)	C1 (nF)	Period "T" (μs) by New Formula	Period "T" (μs) by Measurement	Deviation of New Formula versus Measurement
10.00	0.23	4.36	4.33	-0.3%
10.00	0.47	8.20	8.30	1.8%
10.00	1.04	17.26	17.10	1.4%
10.00	4.75	74.40	74.50	1.5%
10.00	10.49	156.30	152.00	-2.2%
32.91	0.23	13.45	13.25	-0.4%
32.91	0.47	25.99	26.13	1.9%
32.91	1.04	55.57	55.00	1.2%
32.91	4.75	242.10	241.50	1.2%
32.91	10.49	509.25	505.00	1.6%
46.70	0.23	18.92	18.50	-1.2%
46.70	0.47	36.69	36.63	0.8%
46.70	1.04	78.63	78.25	1.7%
46.70	4.75	343.03	341.25	0.6%
46.70	10.49	721.70	700.00	-1.6%
68.00	0.23	27.38	26.75	-1.4%
68.00	0.47	53.22	53.25	1.4%
68.00	1.04	114.25	112.50	1.5%
68.00	4.75	498.94	497.50	1.2%
68.00	10.49	1049.85	1020.00	0.0%
81.20	0.23	32.61	31.88	-1.1%

Table 3-1. Comparison Table Clock Period Calculation versus Measurement on Test Board

R1 (k Ω)	C1 (nF)	Period "T" (μ s) by New Formula	Period "T" (μ s) by Measurement	Deviation of New Formula versus Measurement
81.20	0.47	63.47	63.75	1.6%
81.20	1.04	136.32	135.00	1.9%
81.20	4.75	595.56	592.50	0.7%
81.20	10.49	1253.21	1240.00	1.3%
100.00	0.23	40.07	38.88	-2.1%
100.00	0.47	78.07	78.00	1.2%
100.00	1.04	167.76	164.00	-1.7%
100.00	4.75	733.17	730.00	0.9%
100.00	10.49	1542.84	1530.00	0.5%
119.50	0.23	47.81	46.38	-1.7%
119.50	0.47	93.20	93.00	0.8%
119.50	1.04	200.37	200.25	1.1%
119.50	4.75	875.90	870.00	0.5%
119.50	10.49	1843.26	1835.00	0.9%

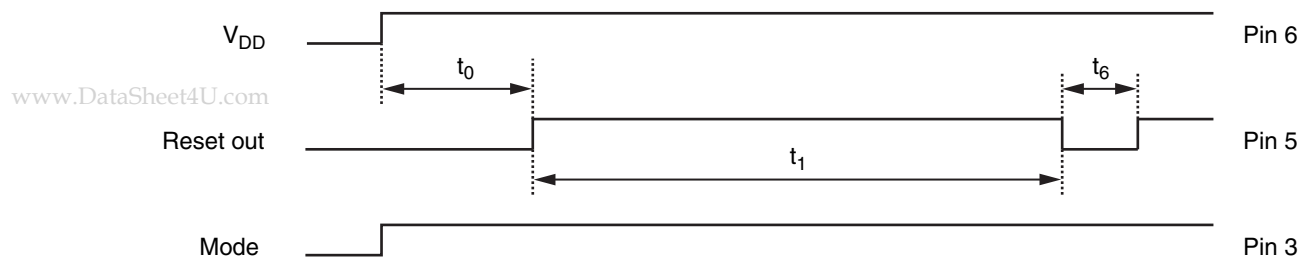
The clock frequency determines all time periods of the logical part as shown in [Section 7. "Electrical Characteristics" on page 9](#) under the subheading "Timing".

3.3 Supply Voltage Monitoring, Pin 5

During ramp-up of the supply voltage and in the case of supply-voltage drops, the integrated power-on reset (POR) circuitry sets the internal logic to a defined basic status and generates a reset pulse at the reset output, pin 5. A hysteresis in the POR threshold prevents the circuit from oscillating. During ramp-up of the supply voltage, the reset output stays active for a specified period of time (t_0) in order to bring the microcontroller into its defined reset status (see [Figure 3-1 on page 5](#)).

3.4 Switch-over Mode Time, Pin 3

The switch-over mode time enables the synchronous operation of microcontroller and watchdog. When the power-on reset time has elapsed, the watchdog has to be switched to monitoring mode by the microcontroller by a "low" signal transmitted to the mode pin (pin 3) within the time-out period, t_1 . If the low signal does not occur within t_1 (see [Figure 3-1 on page 5](#)), the watchdog generates a reset pulse, t_6 , and t_1 starts again. Microcontroller and watchdog are synchronized with the switch-over mode time, t_1 , each time a reset pulse is generated.

Figure 3-1. Power-on Reset and Switch-over Mode

3.5 Microcontroller in Active Mode

3.5.1 Monitoring with the “Short” Trigger Window

After the switch-over mode, the watchdog operates in short watchdog mode and expects a trigger pulse from the microcontroller within the defined time window, t_3 , (enable time). The watchdog generates a reset pulse which resets the microcontroller if:

- the trigger pulse duration is too long
- the trigger pulse is within the disable time, t_2
- there is no trigger pulse

Figure 3-2 shows the pulse diagram with a missing trigger pulse.

Figure 3-2. Pulse Diagram with no Trigger Pulse during the Short Watchdog Time

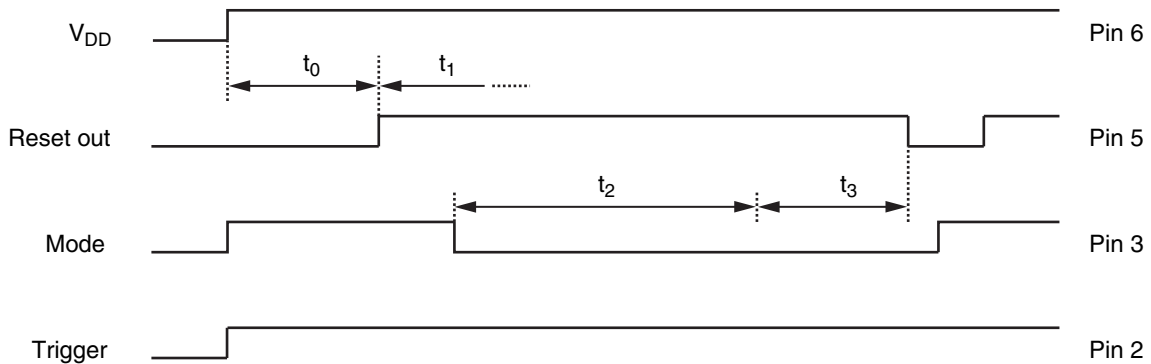
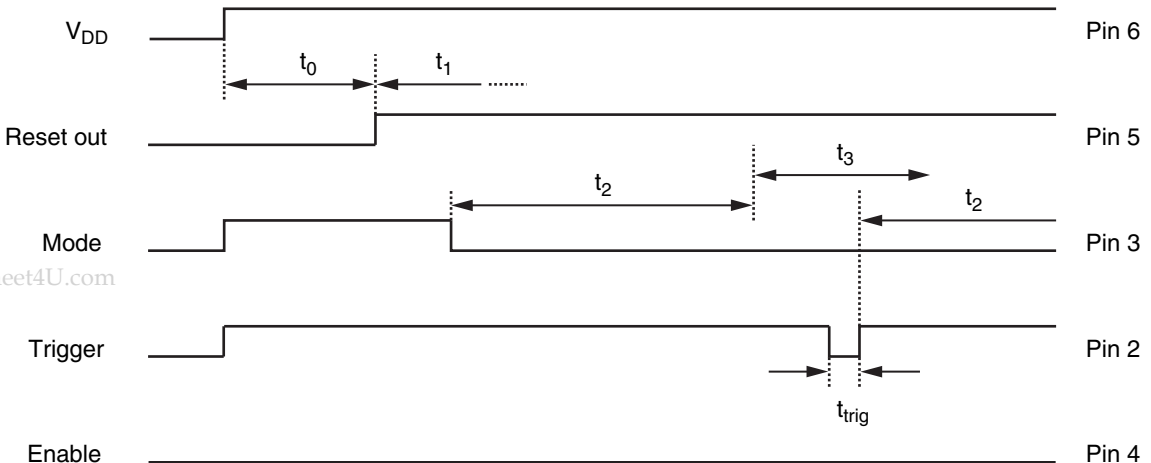


Figure 3-3 shows a correct trigger sequence. The positive edge of the trigger signal starts a new monitoring cycle with the disable time, t_2 . To ensure correct operation of the microcontroller, the watchdog needs to be triggered three times correctly before it sets its enable output. This feature is used to activate or deactivate safety-critical components, which have to be switched to a certain condition (emergency status) in the case of a microcontroller malfunction. As soon as there is an incorrect trigger sequence, the enable signal is reset and it takes a sequence of three correct triggers before enable is active. For proper operation, the trigger pulse duration must be longer than the input signal debounce time (see item 4.2 in Section 7. “Electrical Characteristics” on page 9) and must not exceed the maximum duration of 45 clock cycles (see item 4.4 in Section 7. “Electrical Characteristics” on page 9).

Figure 3-3. Pulse Diagram of a Correct Trigger Sequence during the Short Watchdog Time



www.DataSheet4U.com

3.6 Microcontroller in Sleep Mode

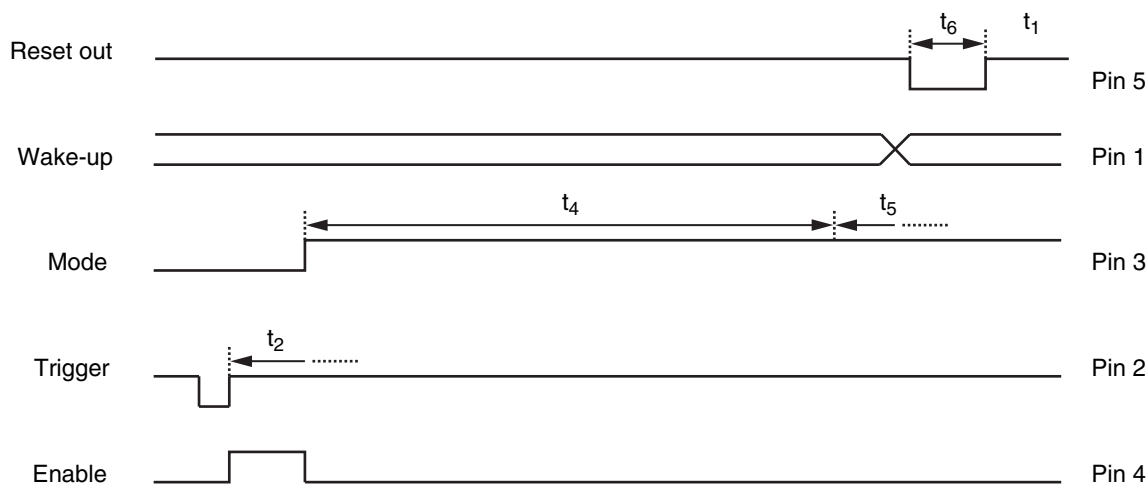
3.6.1 Monitoring with the “Long” Trigger Window

The long watchdog mode allows cyclical wake-up of the microcontroller during sleep mode. As in short watchdog mode, there is a disable time, t_4 , and an enable time, t_5 , in which a trigger signal is accepted. The watchdog can be switched from the short trigger window to the long trigger window with a “high” potential at the mode pin (pin 3). In contrast to the short watchdog mode, the time periods are now much longer and the enable output remains inactive so that other components can be switched off to effect a further decrease in current consumption. As soon as a wake-up signal at the wake-up input (pins 1) is detected, the long watchdog mode ends, a reset pulse wakes-up the sleeping microcontroller and the normal monitoring cycle starts with the mode switch-over time.

Figure 3-4 shows the switch-over from the short to the long watchdog mode. The wake-up signal during the enable time, t_5 , activates a reset pulse, t_6 .

The watchdog can be switched back from the long to the short watchdog mode with a low potential at the mode pin (pin 3).

Figure 3-4. Pulse Diagram of the Long Watchdog Time



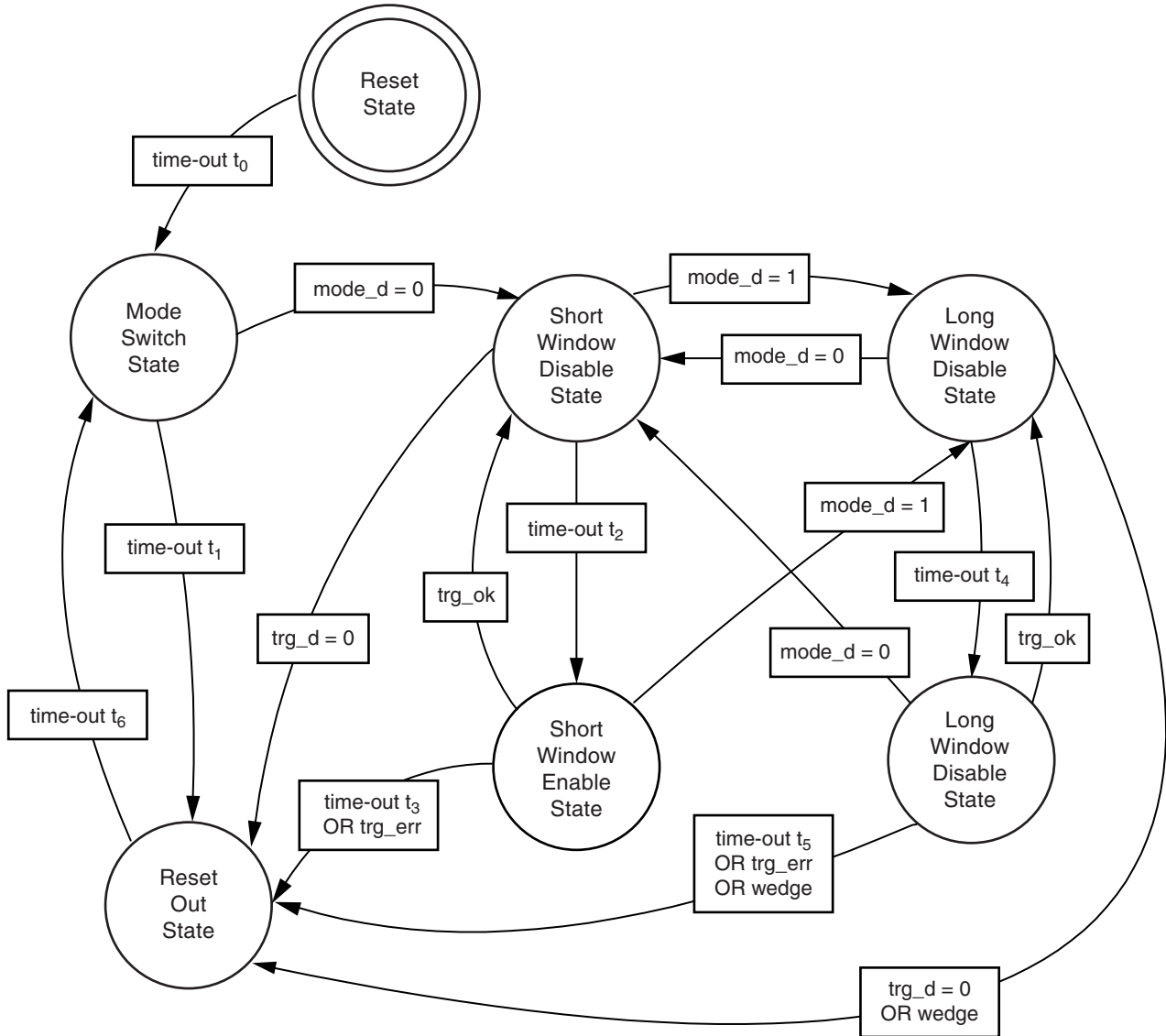
3.7 Reset-Out, Pin 5

The Reset-out pin functionality is guaranteed for supply voltage down to 1V. In case of a voltage drop, the microcontroller gets a reset up to that value.

4. State Diagram

The kernel of the watchdog is a finite state machine. [Figure 4-1](#) shows the state diagram with all possible states and transmissions. Many transmissions are controlled by an internal timer. The numbers for the time-outs are the same as on the pulse diagrams.

Figure 4-1. State Diagram of the Finite State Machine



Notes:

1. mode_d and trg_d are the debounced signals of the MODE and TRG pins
2. wedge is the detection of a signal edge on the wake-up pin after the debouncing time
3. trg_ok is valid for once cycle after the rising edge on trg_d
4. trg_err is valid if the low period of trg_d is too long

www.DataSheet4U.com

5. Absolute Maximum Ratings

Stresses beyond those listed under “Absolute Maximum Ratings” may cause permanent damage to the device. This is a stress rating only and functional operation of the device at these or any other conditions beyond those indicated in the operational sections of this specification is not implied. Exposure to absolute maximum rating conditions for extended periods may affect device reliability.

Parameters	Pin	Symbol	Min.	Max.	Unit
Voltage range on pin VDD		$V_{VDD,max}$	-0.4	+6.5	V
Voltage range on pins		$V_{IO,max}$	-0.4	$V_{VDD} + 0.4$	V
Output current		$I_{OUT,max}$	-2	+2	mA
HBM ESD ANSI/ESD-STM5.1 JESD22-A114 AEC-Q100 (002)		$V_{ESD,HBM}$	±2		kV
Ambient temperature range		T_{amb}	-40	+125	°C
Storage temperature range		T_{sto}	-55	+150	°C

6. Thermal Resistance

Parameters	Symbol	Value	Unit
Thermal case resistance junction ambient	R_{thJA}	180	K/W

7. Electrical Characteristics

$V_{VDD} = 5V$, $T_{amb} = -40^{\circ}C$ to $+125^{\circ}C$, reference point is pin 7, unless otherwise specified.

No.	Parameters	Test Conditions	Pin	Symbol	Min.	Typ.	Max.	Unit	Type*
Power Supply									
1.1	Current Consumption	$V_{VDD} = 5V$ $R_1 = 66\text{ k}\Omega$ $C_1 = 470\text{ pF}$	6	I_{VDD}			25	μA	A
1.2	Power-on-reset	Release reset state with rising supply voltage	6	V_{POR1}	3.9		4.5	V	A
1.3		Get reset state with falling supply voltage	6	V_{POR2}	3.8		4.4	V	A
1.4	POR hysteresis		6	$V_{POR,hys}$	40		200	mV	A
1.5	Reset Level for low V_{DD}	$V_{VDD} = 1V$ to V_{POR1} $I_{RTO} = 300\text{ }\mu A$	5	V_{RST}			0.1	V_{VDD}	A
Inputs									
2.1	Logical “high”	$V_{VDD} = 5V$	1, 2, 3	V_{IH}	3.4			V	A
2.2	Logical “low”	$V_{VDD} = 5V$	1, 2, 3	V_{IL}			1.6	V	A
2.3	Hysteresis	$V_{VDD} = 5V$	1, 2, 3	$V_{IN,hys}$	0.6	1	1.4	V	A
2.4	Pull-down current	$V_{IN} = 5V$ $V_{VDD} = 5V$	1	I_{PD}	5		20	μA	A
2.5	Pull-up current	$V_{IN} = 0V$ $V_{VDD} = 5V$	2, 3	I_{PU}	-20		-5	μA	A

*) Type means: A = 100% tested, B = 100% correlation tested, C = Characterized on samples, D = Design parameter

Notes: 1. Frequency deviation also depends on the tolerances of the external components

2. Cycle = Period of clock frequency (see Section 3.2 on page 4)



7. Electrical Characteristics (Continued)

$V_{VDD} = 5V$, $T_{amb} = -40^{\circ}C$ to $+125^{\circ}C$, reference point is pin 7, unless otherwise specified.

No.	Parameters	Test Conditions	Pin	Symbol	Min.	Typ.	Max.	Unit	Type*
Outputs									
3.1	Maximum output current		4, 5	I_{OUT}	-2		+2	mA	C
3.2	Logical output "low"	$I_{OUT} = 1\text{ mA}$	4, 5	V_{OL}			0.2	V	A
3.3	Logical output "high"	$I_{OUT} = -1\text{ mA}$	4	V_{OH}	$V_{VDD} - 0.2$			V	A
3.4	Leakage current	$V_{OUT} = 5V$	5	I_{leak}			2	μA	A
Timing									
4.1	Frequency deviation ⁽¹⁾	$R_1 = 66\text{ k}\Omega$ $C_1 = 470\text{ pF}$ $V_{VDD} = 4.5V$ to $5V$ ⁽²⁾	8	f_{dev}			5	%	C
4.2	Debounce time		2,3	t_{deb1}	3		4	Cycle	D
4.3			1	t_{deb2}	96		128	Cycle	D
4.4	Maximum trigger pulse length		3	t_{trgmax}		45		Cycle	D
4.5	Power-up reset time			t_0		201		Cycle	D
4.6	Switch-over mode time			t_1		1112		Cycle	D
4.7	Disable time	Short watchdog window		t_2		130		Cycle	D
4.8	Enable time	Short watchdog window		t_3		124		Cycle	D
4.9	Disable time	Long watchdog window		t_4		71970		Cycle	D
4.10	Enable time	Long watchdog window		t_5		30002		Cycle	D
4.11	Reset-out time			t_6		40		Cycle	D

*) Type means: A = 100% tested, B = 100% correlation tested, C = Characterized on samples, D = Design parameter

- Notes: 1. Frequency deviation also depends on the tolerances of the external components
2. Cycle = Period of clock frequency (see [Section 3.2 on page 4](#))

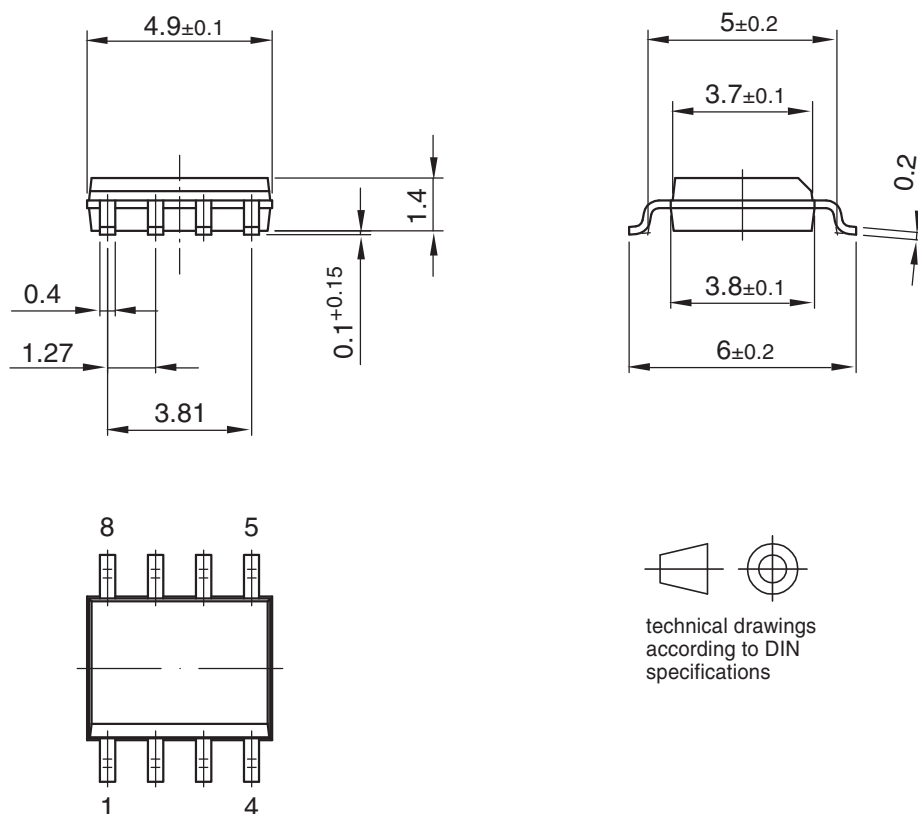
8. Ordering Information

Extended Type Number	Package	Remarks
ATA5021-TAPY	SO8	Taped and reeled, Pb-free, small reel
ATA5021-TAQY	SO8	Taped and reeled, Pb-free, big reel

9. Package Information

Package: SO 8

Dimensions in mm



Drawing-No.: 6.541-5031.01-4

Issue: 1; 15.08.06

10. Revision History

Please note that the following page numbers referred to in this section refer to the specific revision mentioned, not to this document.

Revision No.	History
9145D-AUTO-05/10	<ul style="list-style-type: none">• Section 3.2 “RC Oscillator, Pin 8” on pages 4 to 5 changed
9145C-AUTO-09/09	<ul style="list-style-type: none">• Section 3.2 “RC Oscillator, Pin 8” on page 4 changed• El. Char. Table: rows 3.1, 3.2, 3.3 changed
9145B-AUTO-05/09	<ul style="list-style-type: none">• Put datasheet in the newest template• Section 3.2 “RC Oscillator, Pin 8” on pages 4 to 6 updated• Section 3.5 “Microcontroller in Active Mode” on page 7 updated• Section 7 “Electrical Characteristics” numbers 1.1 and 4.1 on pages 10 to 11 updated



Headquarters

Atmel Corporation
2325 Orchard Parkway
San Jose, CA 95131
USA
Tel: 1(408) 441-0311
Fax: 1(408) 487-2600

International

Atmel Asia
Unit 1-5 & 16, 19/F
BEA Tower, Millennium City 5
418 Kwun Tong Road
Kwun Tong, Kowloon
Hong Kong
Tel: (852) 2245-6100
Fax: (852) 2722-1369

Atmel Europe
Le Krebs
8, Rue Jean-Pierre Timbaud
BP 309
78054
Saint-Quentin-en-Yvelines Cedex
France
Tel: (33) 1-30-60-70-00
Fax: (33) 1-30-60-71-11

Atmel Japan
9F, Tonetsu Shinkawa Bldg.
1-24-8 Shinkawa
Chuo-ku, Tokyo 104-0033
Japan
Tel: (81) 3-3523-3551
Fax: (81) 3-3523-7581

Product Contact

Web Site
www.atmel.com

Technical Support
auto_control@atmel.com

Sales Contact
www.atmel.com/contacts

Literature Requests
www.atmel.com/literature

Disclaimer: The information in this document is provided in connection with Atmel products. No license, express or implied, by estoppel or otherwise, to any intellectual property right is granted by this document or in connection with the sale of Atmel products. **EXCEPT AS SET FORTH IN ATMEL'S TERMS AND CONDITIONS OF SALE LOCATED ON ATMEL'S WEB SITE, ATMEL ASSUMES NO LIABILITY WHATSOEVER AND DISCLAIMS ANY EXPRESS, IMPLIED OR STATUTORY WARRANTY RELATING TO ITS PRODUCTS INCLUDING, BUT NOT LIMITED TO, THE IMPLIED WARRANTY OF MERCHANTABILITY, FITNESS FOR A PARTICULAR PURPOSE, OR NON-INFRINGEMENT. IN NO EVENT SHALL ATMEL BE LIABLE FOR ANY DIRECT, INDIRECT, CONSEQUENTIAL, PUNITIVE, SPECIAL OR INCIDENTAL DAMAGES (INCLUDING, WITHOUT LIMITATION, DAMAGES FOR LOSS OF PROFITS, BUSINESS INTERRUPTION, OR LOSS OF INFORMATION) ARISING OUT OF THE USE OR INABILITY TO USE THIS DOCUMENT, EVEN IF ATMEL HAS BEEN ADVISED OF THE POSSIBILITY OF SUCH DAMAGES.** Atmel makes no representations or warranties with respect to the accuracy or completeness of the contents of this document and reserves the right to make changes to specifications and product descriptions at any time without notice. Atmel does not make any commitment to update the information contained herein. Unless specifically provided otherwise, Atmel products are not suitable for, and shall not be used in, automotive applications. Atmel's products are not intended, authorized, or warranted for use as components in applications intended to support or sustain life.

© 2010 Atmel Corporation. All rights reserved. Atmel®, logo and combinations thereof, and others are registered trademarks. SMART-I.S.™ and others are trademarks of Atmel Corporation or its subsidiaries. Other terms and product names may be trademarks of others.