

PLEASE CHECK WWW.MOLEX.COM FOR LATEST PART INFORMATION

Part Number: **0476370001**
Status: **Active**
Description: 2.54mm (.100") Low Profile SIM Card Connector, 6 Circuits, SMT, with Guide Rail, Housing Height 2.00mm (.079"), Lead Free

Documents:

[3D Model](#) [Product Specification PS-47468-001 \(PDF\)](#)
[Drawing \(PDF\)](#) [RoHS Certificate of Compliance \(PDF\)](#)

General

Product Family	Memory Card Sockets
Series	47637
Button Type	N/A
Component Type	Card Holder (Host)
Product Name	SIM
Type	N/A
Physical	
Card Detection Switch	No
Circuits (Loaded)	6
Circuits (maximum)	6
Color - Resin	Black
Durability (mating cycles max)	500
Ejector Button Side	No Ejector Button Present
Entry Angle	Horizontal
Keying to Mating Part	Yes
Material - Metal	Beryllium Copper
Material - Plating Mating	Gold
Material - Plating Termination	Gold
Material - Resin	High Temperature Thermoplastic
PCB Locator	No
PCB Mounting Side	Normal
PCB Retention	Yes
Packaging Type	Embossed Tape on Reel
Pitch - Mating Interface (in)	0.100 In
Pitch - Mating Interface (mm)	2.54 mm
Pitch - Term. Interface (in)	0.100 In
Pitch - Term. Interface (mm)	2.54 mm
Plating min: Mating (µin)	30
Plating min: Mating (µm)	0.75
Plating min: Termination (µin)	2
Plating min: Termination (µm)	0.05
Ports	1
Temperature Range - Operating	-20°C to +70°C
Termination Interface: Style	Surface Mount

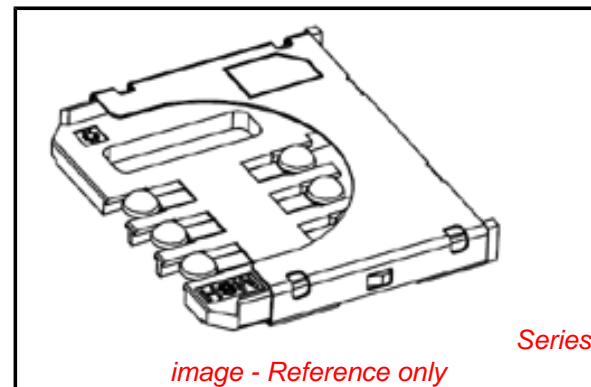
Electrical

Current - Maximum per Contact 0.5A
Voltage - Maximum 50V AC (RMS)/DC

Material Info

Reference - Drawing Numbers

Packaging Specification PK-47637-001
Product Specification PS-47468-001
Sales Drawing SD-47637-001



EU RoHS

**ELV and RoHS
Compliant**
REACH SVHC
Not Reviewed
**Halogen-Free
Status**
Not Reviewed

China RoHS



**Need more information on product
environmental compliance?**

Email productcompliance@molex.com
For a multiple part number RoHS Certificate of Compliance, [click here](#)

Please visit the [Contact Us](#) section for any non-product compliance questions.

Search Parts in this Series

47637Series

Mates With

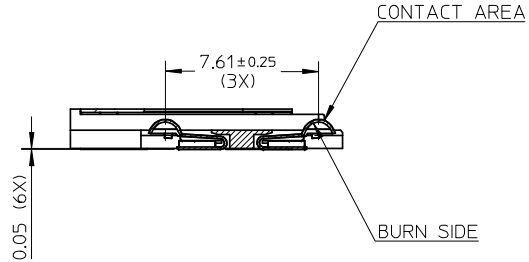
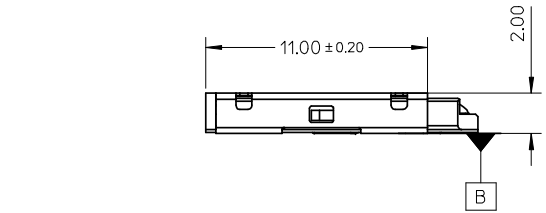
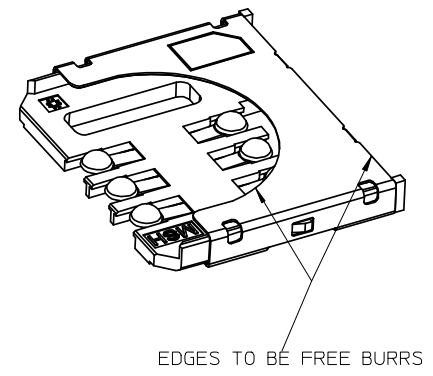
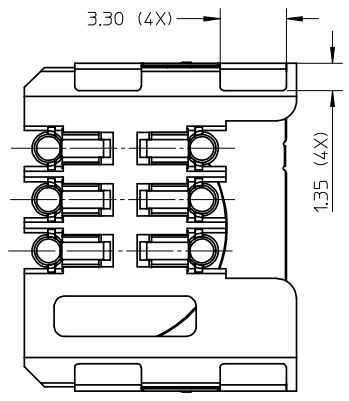
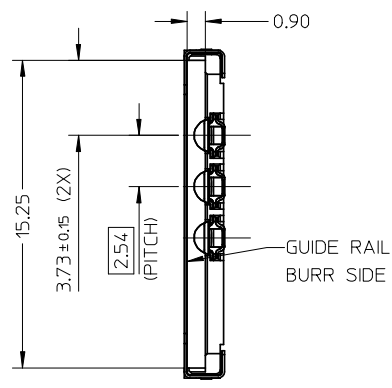
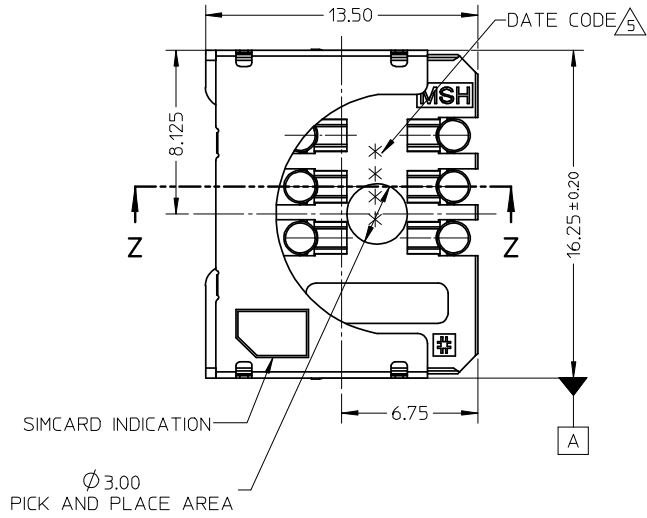
Standard SIM Card

Use With

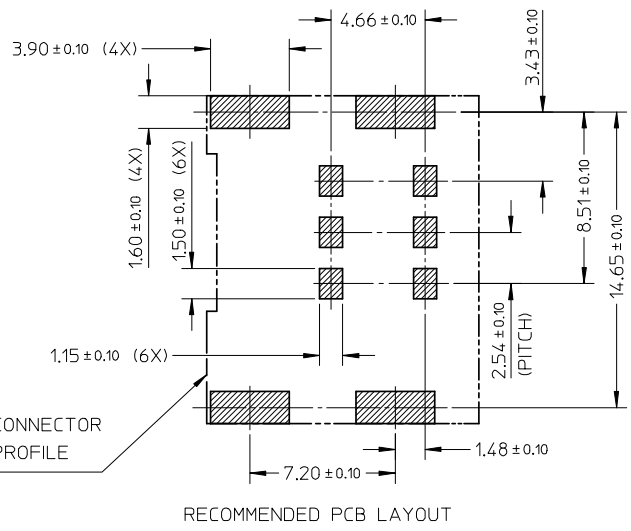
Standard SIM Cards

This document was generated on 05/24/2010

PLEASE CHECK WWW.MOLEX.COM FOR LATEST PART INFORMATION



SECTION Z-Z



NOTE:
 1.MATERIAL:
 HOUSING:LCP,45% GLASS-FILLED,UL 94V-0,COLOR IS BLACK.
 TERMINAL:BeCu C17200(290) TM06,THICKNESS IS 0.12mm.
 SHELL:STAINLESS STEEL,THICKNESS IS 0.15mm.
 2.FINISH:
 TERMINAL:
 CONTACT AREA:SELECTIVE 0.75 TO 1.25 MICRON GOLD .
 SOLDER TAIL:0.05 TO 0.125 MICRON GOLD FLASH.
 UNDERPLATING ALL OVER 1.25 TO 3.75 MICRON NICKEL.
 GUIDE RAIL:
 SELECTIVE 0.05 TO 0.125 MICRON GOLD FLASH OVER
 1.25 TO 3.75 MICRON NICKEL ON SOLDER TAIL AREA.
 3.COPLANARITY:0.1MM MAX. AMONG THESE TERMINAL SOLDER TAILS.
 4.PRODUCT SPECIFICATION:PS-47468-001.
 5.DATE CODE(4 DIGITS)
 * * * *
 DAY COUNTED FROM FIRST DAY OF THE YEAR
 YEAR
 EXAMPLE
 2006/01/15 → 6015
 2006/02/10 → 6041
 2007/03/10 → 7069
 6.THE PART 476370001 COMPLIANT TO RoHS DIRECTIVE 2002/95/EC AND ELV 2000/53/EC.

RELEASE EC NO: SHZ008-0461 DRWN:HPQIAN 2008/03/24 CHKD:RZHANG 2008/04/22 APPR:HWANG 2008/06/02	QUALITY SYMBOLS	GENERAL TOLERANCES (UNLESS SPECIFIED)	DIMENSION STYLE	SCALE	DESIGN UNITS	THIRD ANGLE PROJECTION
	▽=0 ◻=0	mm INCH 4 PLACES ± --- ± --- 3 PLACES ± --- ± --- 2 PLACES ± 0.13 ± --- 1 PLACE ± --- ± --- ANGULAR ± 1 °	MM ONLY	4:1	METRIC	
	DESCRIPTION	DRAWN BY DATE	TITLE	LOW PROFILE 2.0 SIM CONN WITH GUIDE RAIL		
	REV	HPQIAN 2007/11/24	MOLEX INCORPORATED			
		CHECKED BY DATE	MATERIAL NO.	DOCUMENT NO.	SHEET NO.	
		RZHANG 2007/11/24	476370001	SD-47637-001	1 OF 1	
		APPROVED BY DATE	THIS DRAWING CONTAINS INFORMATION THAT IS PROPRIETARY TO MOLEX INCORPORATED AND SHOULD NOT BE USED WITHOUT WRITTEN PERMISSION			
		HARVEY 2007/11/24				