

PLEASE CHECK WWW.MOLEX.COM FOR LATEST PART INFORMATION

Part Number: [0472490001](#)
Status: **Active**
Description: Camera Socket for Mobile Phone, Top Mount, SMT, Side Contact Type, 8x8

Documents:

[3D Model](#) [Product Specification PS-47249-001 \(PDF\)](#)
[Drawing \(PDF\)](#) [RoHS Certificate of Compliance \(PDF\)](#)

General

Product Family	Other Sockets
Series	47249
Component Type	Socket
Product Name	Camera Socket

Physical

Circuits (Loaded)	24
Circuits (maximum)	24
Color - Resin	Black
Durability (mating cycles max)	30
Entry Angle	Vertical
Keying to Mating Part	Yes
Material - Metal	Phosphor Bronze
Material - Plating Mating	Gold
Material - Plating Termination	Gold
Material - Resin	High Temperature Thermoplastic
PCB Locator	No
PCB Retention	N/A
PCB Thickness Recommended (in)	0.020 In
PCB Thickness Recommended (mm)	0.50 mm
Packaging Type	Embossed Tape on Reel
Pitch - Mating Interface (in)	0.035 In
Pitch - Mating Interface (mm)	0.90 mm
Pitch - Term. Interface (in)	0.035 In
Pitch - Term. Interface (mm)	0.90 mm
Plating min: Mating (µin)	12
Plating min: Mating (µm)	0.3
Plating min: Termination (µin)	3
Plating min: Termination (µm)	0.075
Temperature Range - Operating	-55°C to +85°C
Termination Interface: Style	Surface Mount

Electrical

Current - Maximum per Contact	0.5A
Voltage - Maximum	50V DC

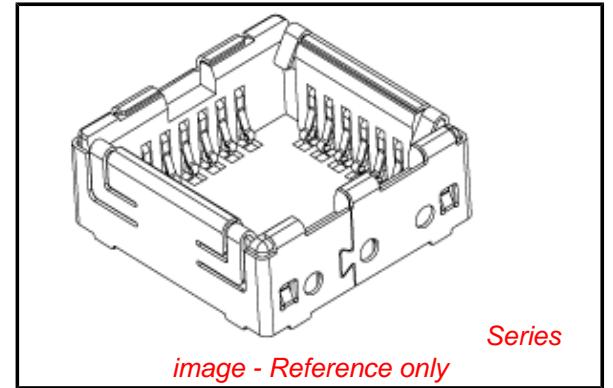
Solder Process Data

Duration at Max. Process Temperature (seconds)	10
Lead-free Process Capability	Reflow Capable (SMT only)
Max. Cycles at Max. Process Temperature	1
Process Temperature max. C	250

Material Info

Reference - Drawing Numbers

Packaging Specification	PK-47249-001
Product Specification	PS-47249-001
Sales Drawing	SD-47249-001



EU RoHS

**ELV and RoHS
Compliant**

REACH SVHC

Not Reviewed

Halogen-Free

Status

Not Halogen-Free

**Need more information on product
environmental compliance?**

Email productcompliance@molex.com
 For a multiple part number RoHS Certificate of
 Compliance, [click here](#)

Please visit the [Contact Us](#) section for any
 non-product compliance questions.

China RoHS



Search Parts in this Series

[47249Series](#)

Mates With

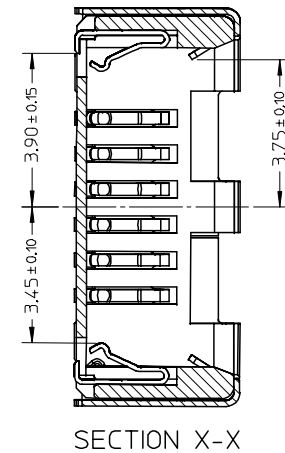
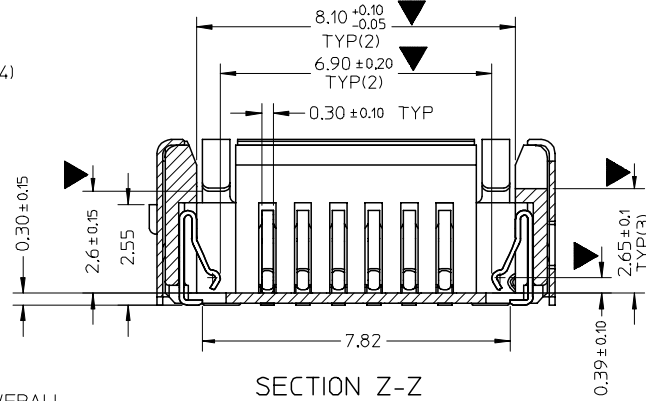
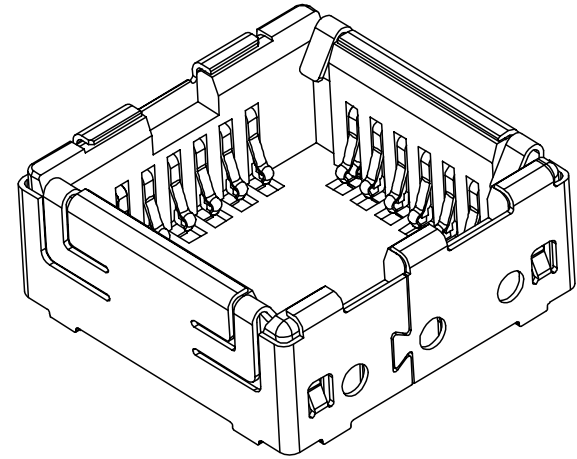
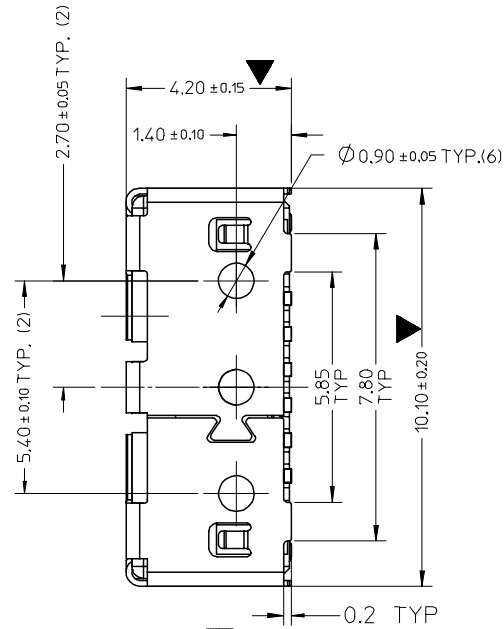
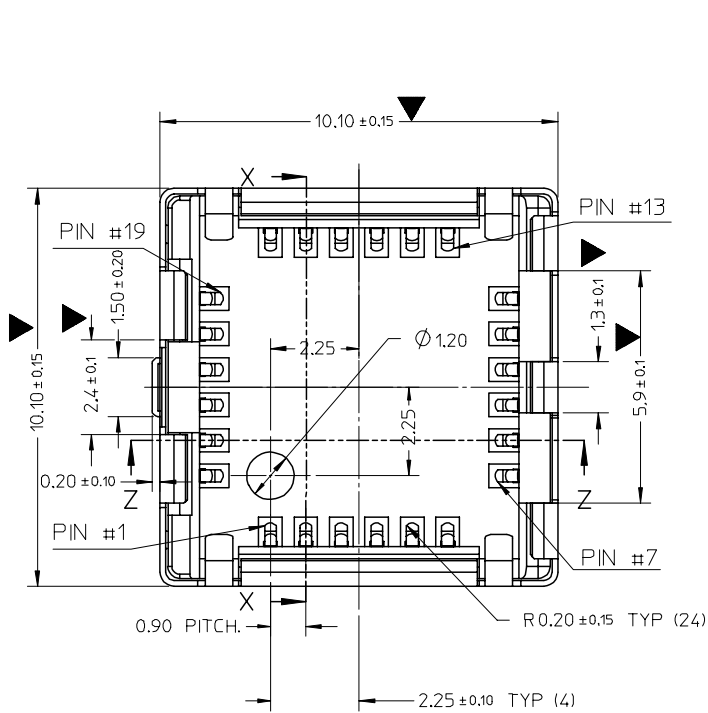
Camera Module

Use With

[47249-0005](#) Top Cover

This document was generated on 05/17/2010

PLEASE CHECK WWW.MOLEX.COM FOR LATEST PART INFORMATION



NOTES:

1. MATERIALS

HOUSING: POLYAMIDE, BLACK, UL94 V-0
 TERMINAL: COPPER ALLOY.
 SHELL: COPPER ALLOY.
 TOP SHIELD: STAINLESS STEEL

2. FINISH

TERMINAL: 2-4 MICROMETER NICKEL UNDERPLATING OVERALL,
 GOLD PLATING 0.3 MICROMETER ON CONTACT AREA,
 GOLD FLASH PLATING ON SOLDER AREA.
 SHELL: 2-4 MICROMETER NICKEL UNDERPLATING OVERALL,
 GOLD FLASH PLATING ON SOLDER AREA.

3. PRODUCT SPECIFICATION: PS-47249-001

4. PAKAGING: TAPE&REEL

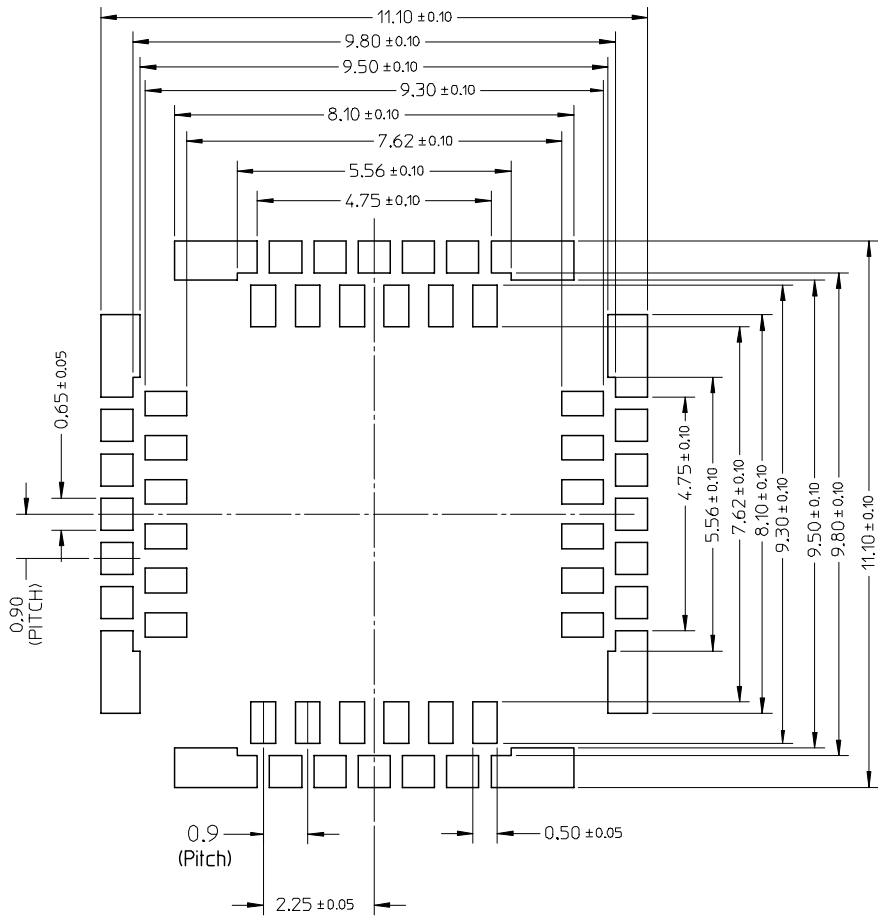
5. COPLANALITY TO BE 0.12MM MAX.

6. APPLICABLE TOP COVER: 472490005.

7. APPLICABLE CAMERA MODULE SEE SHEET 3.

8. THE DRAWING EDITION 12 WILL MEET TOM LU'S DRAWING EDITION S6.

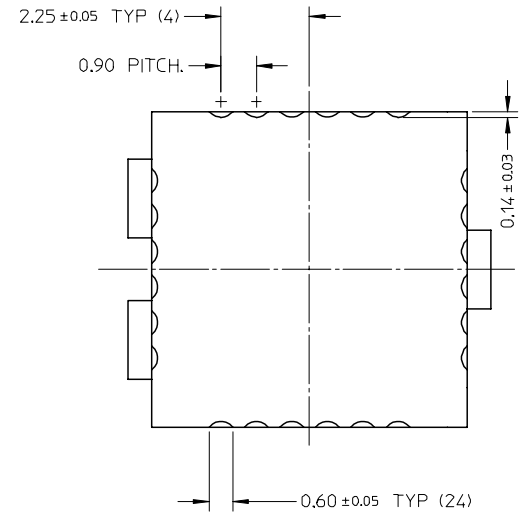
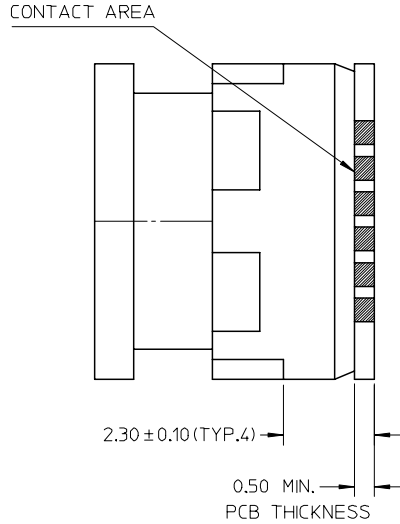
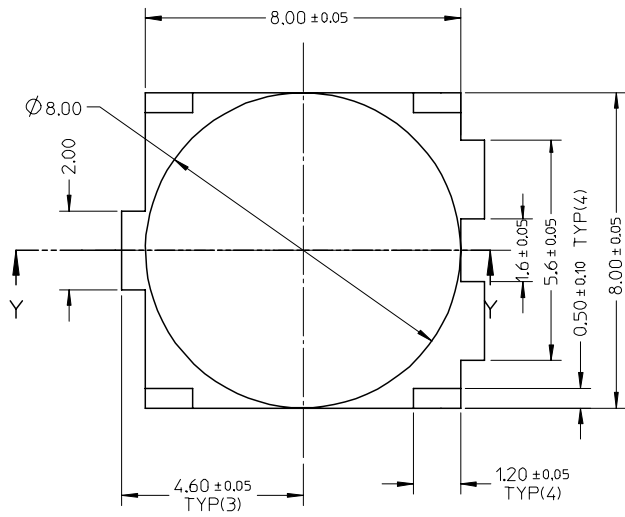
RELEASE EC NO: 2006/06/16 DRWN: IHE 2006/06/23 CHKD: XIXU 2006/06/23 APPR: JNCHEN 2006/06/26	DESCRIPTION REV A	QUALITY SYMBOLS ▽=12 ◻=0	GENERAL TOLERANCES (UNLESS SPECIFIED) <table border="1"> <thead> <tr> <th></th> <th>MM</th> <th>INCH</th> </tr> </thead> <tbody> <tr> <td>4 PLACES</td> <td>± ---</td> <td>± ---</td> </tr> <tr> <td>3 PLACES</td> <td>± ---</td> <td>± ---</td> </tr> <tr> <td>2 PLACES</td> <td>± 0.05</td> <td>± ---</td> </tr> <tr> <td>1 PLACE</td> <td>± 0.10</td> <td>± ---</td> </tr> <tr> <td colspan="3">ANGULAR ± 1</td> </tr> </tbody> </table>		MM	INCH	4 PLACES	± ---	± ---	3 PLACES	± ---	± ---	2 PLACES	± 0.05	± ---	1 PLACE	± 0.10	± ---	ANGULAR ± 1			DIMENSION STYLE MM ONLY	SCALE 8:1	DESIGN UNITS METRIC	THIRD ANGLE PROJECTION
			MM	INCH																					
		4 PLACES	± ---	± ---																					
		3 PLACES	± ---	± ---																					
2 PLACES	± 0.05	± ---																							
1 PLACE	± 0.10	± ---																							
ANGULAR ± 1																									
DRAFT WHERE APPLICABLE MUST REMAIN WITHIN DIMENSIONS			DRAWN BY DATE IVAN HE 2006/06/16 CHECKED BY DATE XIXU 2006/06/16 APPROVED BY DATE JENNY CHEN 2006/06/16	TITLE 8x8 CAMERA SOCKET SMT. SIDE CONTACT TYPE TOP MOUNT																					
MATERIAL NO. 472490001			DOCUMENT NO. SD-47249-001		SHEET NO. 1 OF 3																				
THIS DRAWING CONTAINS INFORMATION THAT IS PROPRIETARY TO MOLEX INCORPORATED AND SHOULD NOT BE USED WITHOUT WRITTEN PERMISSION																									



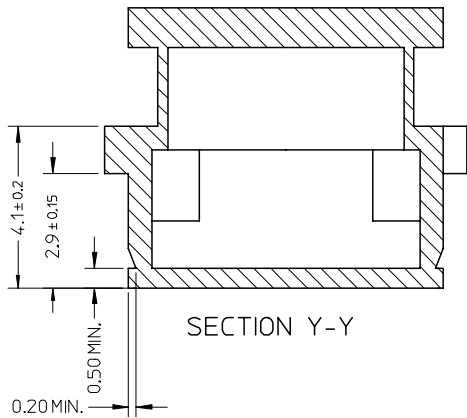
RECOMMENDED PCB LAYOUT

RELEASE EC NO: 2006/06/16 DRWN: IHE 2006/06/23 CHKD: XIXU 2006/06/23 APPR: JNCHEN 2006/06/26	QUALITY SYMBOLS ▽=0 ◻=0	GENERAL TOLERANCES (UNLESS SPECIFIED)		DIMENSION STYLE MM ONLY		SCALE 10:1	DESIGN UNITS METRIC	THIRD ANGLE PROJECTION		
			mm	INCH	DRAWN BY IVAN HE	DATE 2006/06/16	TITLE 8*8 CAMERA SOCKET SMT. SIDE CONTACT TYPE TOP MOUNT			
		4 PLACES	± ---	± ---	CHECKED BY XIXU	DATE 2006/06/16				
		3 PLACES	± ---	± ---	APPROVED BY JENNY CHEN		DATE 2006/06/16	MOLEX INCORPORATED DOCUMENT NO. SD-47249-001 SHEET NO. 2 OF 3		
2 PLACES	± 0.05	± ---	MATERIAL NO. 472490001							
1 PLACE	± 0.10	± ---	DRAFT WHERE APPLICABLE MUST REMAIN WITHIN DIMENSIONS		THIS DRAWING CONTAINS INFORMATION THAT IS PROPRIETARY TO MOLEX INCORPORATED AND SHOULD NOT BE USED WITHOUT WRITTEN PERMISSION					

APPLIED CAMERA MODULE



FOR PCB (PTH)



SECTION Y-Y

RELEASE EC NO: 2006/06/16 DRWN: IHE 2006/06/23 CHKD: XIXU 2006/06/23 APPR: JNCHEN 2006/06/26	QUALITY SYMBOLS ▽=0 ▽C=0	GENERAL TOLERANCES (UNLESS SPECIFIED) <table border="1"> <thead> <tr> <th></th> <th>mm</th> <th>INCH</th> </tr> </thead> <tbody> <tr> <td>4 PLACES</td> <td>± ---</td> <td>± ---</td> </tr> <tr> <td>3 PLACES</td> <td>± ---</td> <td>± ---</td> </tr> <tr> <td>2 PLACES</td> <td>± 0.05</td> <td>± ---</td> </tr> <tr> <td>1 PLACE</td> <td>± 0.10</td> <td>± ---</td> </tr> </tbody> </table> ANGULAR ± 1 °		mm	INCH	4 PLACES	± ---	± ---	3 PLACES	± ---	± ---	2 PLACES	± 0.05	± ---	1 PLACE	± 0.10	± ---	DIMENSION STYLE MM ONLY	SCALE 8:1	DESIGN UNITS METRIC	THIRD ANGLE PROJECTION
		mm	INCH																		
	4 PLACES	± ---	± ---																		
	3 PLACES	± ---	± ---																		
2 PLACES	± 0.05	± ---																			
1 PLACE	± 0.10	± ---																			
DRAWN BY IVAN HE	DATE 2006/06/16	TITLE 8*8 CAMERA SOCKET SMT. SIDE CONTACT TYPE TOP MOUNT		MOLEX INCORPORATED																	
CHECKED BY XIXU	DATE 2006/06/16	APPROVED BY JENNY CHEN		DATE 2006/06/16	MOLEX INCORPORATED																
MATERIAL NO. 472490001	DOCUMENT NO. SD-47249-001	DRAFT WHERE APPLICABLE MUST REMAIN WITHIN DIMENSIONS		SIZE A3	SHEET NO. 3 OF 3																