

## DRAM MODULE

MT8LD864A X, MT16LD1664A X,  
MT32LD3264A X

For the latest data sheet, please refer to the Micron Web  
site: [www.micronsemi.com/datasheets/datasheet.html](http://www.micronsemi.com/datasheets/datasheet.html)

### FEATURES

- Eight-CAS# ECC pinout in a 168-pin, dual in-line memory module (DIMM)
- 64MB (8 Meg x 64), 128MB (16 Meg x 64), and 256MB (32 Meg x 64)
- Nonbuffered
- High-performance CMOS silicon-gate process
- Single +3.3V  $\pm$ 0.3V power supply
- All inputs, outputs and clocks are LVTTTL-compatible
- 4,096-cycle CAS#-BEFORE-RAS# (CBR) refresh distributed across 64ms
- Extended Data-Out (EDO) PAGE MODE access cycle
- Serial presence-detect (SPD)

### OPTIONS

- Package  
168-pin DIMM (gold)
- Timing  
50ns access  
60ns access
- Access Cycle  
EDO PAGE MODE

### MARKING

G

-5

-6

X

### KEY TIMING PARAMETERS

SPEED	t <sub>RC</sub>	t <sub>RAC</sub>	t <sub>PC</sub>	t <sub>AA</sub>	t <sub>CAC</sub>	t <sub>CAS</sub>
-5	84ns	50ns	20ns	25ns	13ns	8ns
-6	104ns	60ns	25ns	30ns	15ns	10ns

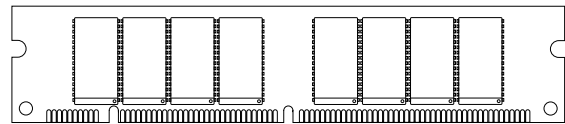
### PART NUMBERS

PART NUMBER	CONFIGURATION	SPEED
MT8LD864AG-5X	8 Meg x 64	50ns
MT8LD864AG-6X	8 Meg x 64	60ns
MT16LD1664AG-5X	16 Meg x 64	50ns
MT16LD1664AG-6X	16 Meg x 64	60ns
MT32LD3264AG-5X*	32 Meg x 64	50ns
MT32LD3264AG-6X*	32 Meg x 64	60ns

\*Contact factory for availability

**NOTE:** Pin symbols in parentheses are not used on these modules but may be used for other modules in this product family. They are for reference only.

### PIN ASSIGNMENT (Front View) 168-Pin DIMM (H-14; 64MB) (H-17; 128MB) (H-30; 256MB)



PIN	SYMBOL	PIN	SYMBOL	PIN	SYMBOL	PIN	SYMBOL
1	V <sub>SS</sub>	43	V <sub>SS</sub>	85	V <sub>SS</sub>	127	V <sub>SS</sub>
2	DQ0	44	OE2#	86	DQ32	128	RFU
3	DQ1	45	RAS2#	87	DQ33	129	NC/RAS3#**
4	DQ2	46	CAS2#	88	DQ34	130	CAS6#
5	DQ3	47	CAS3#	89	DQ35	131	CAS7#
6	V <sub>DD</sub>	48	WE2#	90	V <sub>DD</sub>	132	RFU
7	DQ4	49	V <sub>DD</sub>	91	DQ36	133	V <sub>DD</sub>
8	DQ5	50	NC	92	DQ37	134	NC
9	DQ6	51	NC	93	DQ38	135	NC
10	DQ7	52	NC	94	DQ39	136	NC
11	DQ8	53	NC	95	DQ40	137	NC
12	V <sub>SS</sub>	54	V <sub>SS</sub>	96	V <sub>SS</sub>	138	V <sub>SS</sub>
13	DQ9	55	DQ16	97	DQ41	139	DQ48
14	DQ10	56	DQ17	98	DQ42	140	DQ49
15	DQ11	57	DQ18	99	DQ43	141	DQ50
16	DQ12	58	DQ19	100	DQ44	142	DQ51
17	DQ13	59	V <sub>DD</sub>	101	DQ45	143	V <sub>DD</sub>
18	V <sub>DD</sub>	60	DQ20	102	V <sub>DD</sub>	144	DQ52
19	DQ14	61	NC	103	DQ46	145	NC
20	DQ15	62	RFU	104	DQ47	146	RFU
21	NC	63	NC	105	NC	147	NC
22	NC	64	V <sub>SS</sub>	106	NC	148	V <sub>SS</sub>
23	V <sub>SS</sub>	65	DQ21	107	V <sub>SS</sub>	149	DQ53
24	NC	66	DQ22	108	NC	150	DQ54
25	NC	67	DQ23	109	NC	151	DQ55
26	V <sub>DD</sub>	68	V <sub>SS</sub>	110	V <sub>DD</sub>	152	V <sub>SS</sub>
27	WE0#	69	DQ24	111	RFU	153	DQ56
28	CAS0#	70	DQ25	112	CAS4#	154	DQ57
29	CAS1#	71	DQ26	113	CAS5#	155	DQ58
30	RAS0#	72	DQ27	114	NC/RAS1#**	156	DQ59
31	OE0#	73	V <sub>DD</sub>	115	RFU	157	V <sub>DD</sub>
32	V <sub>SS</sub>	74	DQ28	116	V <sub>SS</sub>	158	DQ60
33	A0	75	DQ29	117	A1	159	DQ61
34	A2	76	DQ30	118	A3	160	DQ62
35	A4	77	DQ31	119	A5	161	DQ63
36	A6	78	V <sub>SS</sub>	120	A7	162	V <sub>SS</sub>
37	A8	79	NC	121	A9	163	NC
38	A10	80	NC	122	A11	164	NC
39	NC (A12)	81	NC	123	NC (A13)	165	SA0
40	V <sub>DD</sub>	82	SDA	124	V <sub>DD</sub>	166	SA1
41	V <sub>DD</sub>	83	SCL	125	RFU	167	SA2
42	RFU	84	V <sub>DD</sub>	126	RFU	168	V <sub>DD</sub>

\*\* 256MB version only

## GENERAL DESCRIPTION

The Micron® MT8LD864A X, MT16LD1664A X and MT32LD3264A X are randomly accessed 64MB, 128MB and 256MB memories organized in a x64 configuration. They are specially processed to operate from 3V to 3.6V for low-voltage memory systems.

During READ or WRITE cycles, each bit is uniquely addressed through the 22/23 address bits, which are entered 12 bits (A0-A11) at RAS# time and 11/12 bits (A0-A11) at CAS# time.

READ and WRITE cycles are selected with the WE# input. A logic HIGH on WE# dictates read mode, while a logic LOW on WE# dictates write mode. During a WRITE cycle, data-in (D) is latched by the falling edge of WE# or CAS#, whichever occurs last. An EARLY WRITE occurs when WE# is taken LOW prior to CAS# falling. A LATE WRITE or READ-MODIFY-WRITE occurs when WE# falls after CAS# was taken LOW. During EARLY WRITE cycles, the data-outputs (Q) will remain High-Z regardless of the state of OE#. During LATE WRITE or READ-MODIFY-WRITE cycles, OE# must be taken HIGH to disable the data-outputs prior to applying input data. If a LATE WRITE or READ-MODIFY-WRITE is attempted while keeping OE# LOW, no WRITE will occur, and the data-outputs will drive read data from the accessed location.

## EDO PAGE MODE

EDO PAGE MODE is an accelerated FAST-PAGE-MODE cycle. The primary advantage of EDO is the availability of data-out even after CAS# goes back HIGH. EDO provides for CAS# precharge time ( $t_{CP}$ ) to occur without the output data going invalid. This elimination of CAS# output control provides for pipeline READs.

FAST-PAGE-MODE modules have traditionally turned the output buffers off (High-Z) with the rising edge of CAS#. EDO-PAGE-MODE DRAMs operate like FAST-PAGE-MODE DRAMs, except data will remain valid or become valid after CAS# goes HIGH during READs, provided RAS# and OE# are held LOW. If OE# is pulsed while RAS# and CAS# are LOW, data will

toggle from valid data to High-Z and back to the same valid data. If OE# is toggled or pulsed after CAS# goes HIGH while RAS# remains LOW, data will transition to and remain High-Z.

During an application, if the DQ outputs are wire OR'd, OE# must be used to disable idle banks of DRAMs. Alternatively, pulsing WE# to the idle banks during CAS# HIGH time will also tristate the outputs. Independent of OE# control, the outputs will disable after  $t_{OFF}$ , which is referenced from the rising edge of RAS# or CAS#, whichever occurs last. (Refer to the 16 Meg x 4 [MT4LC16M4H9] DRAM data sheet for additional information on EDO functionality.)

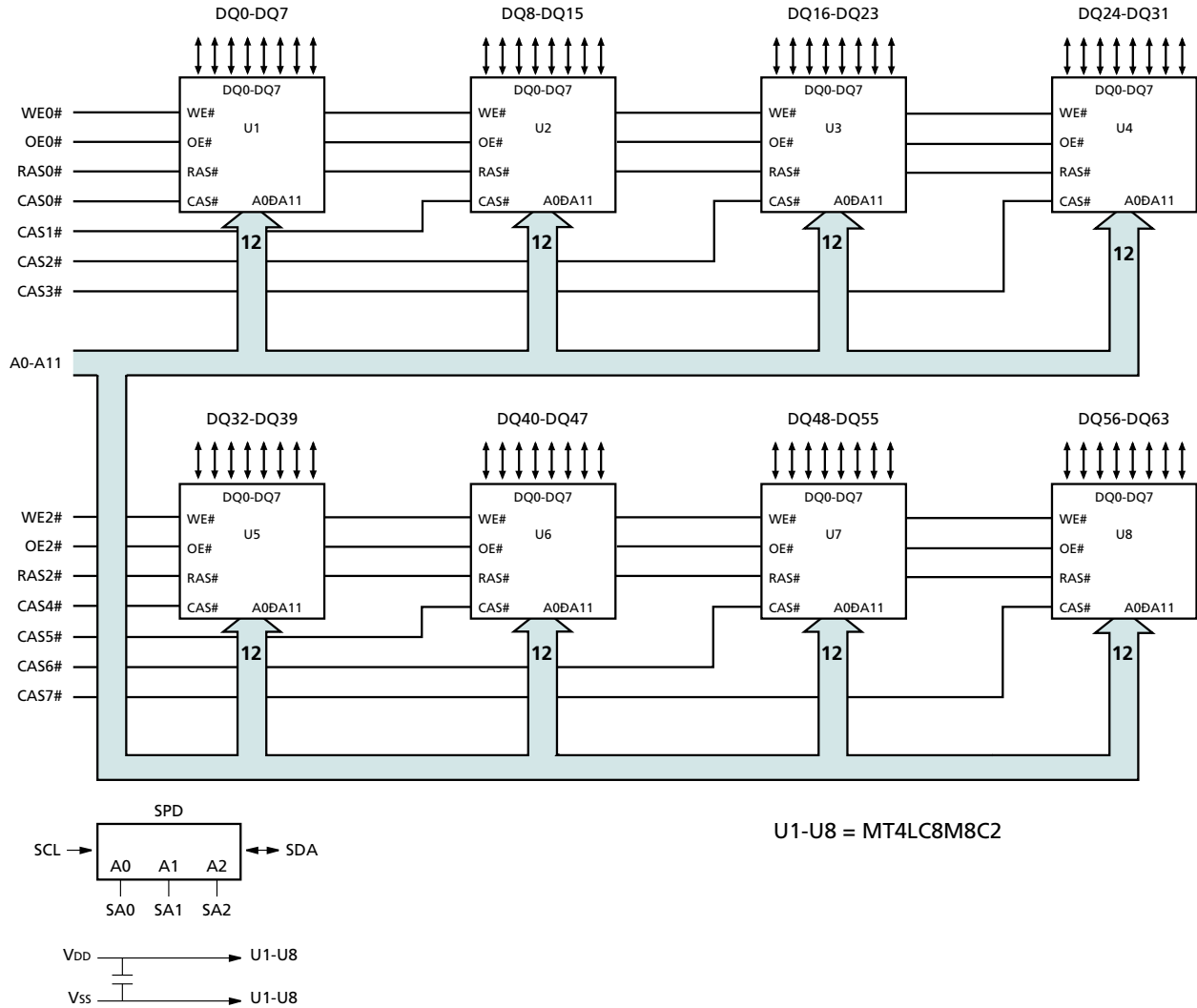
## REFRESH

Returning RAS# and CAS# HIGH terminates a memory cycle and decreases chip current to a reduced standby level. Also, the chip is preconditioned for the next cycle during the RAS# HIGH time. Correct memory cell data is preserved by maintaining power and executing any RAS# cycle (READ, WRITE) or RAS# REFRESH cycle (RAS#-ONLY, CBR or HIDDEN) so that all combinations of RAS# addresses (A0-A10/A11) are executed at least every  $t_{REF}$ , regardless of sequence. The CBR REFRESH cycle will invoke the internal refresh counter for automatic RAS# addressing.

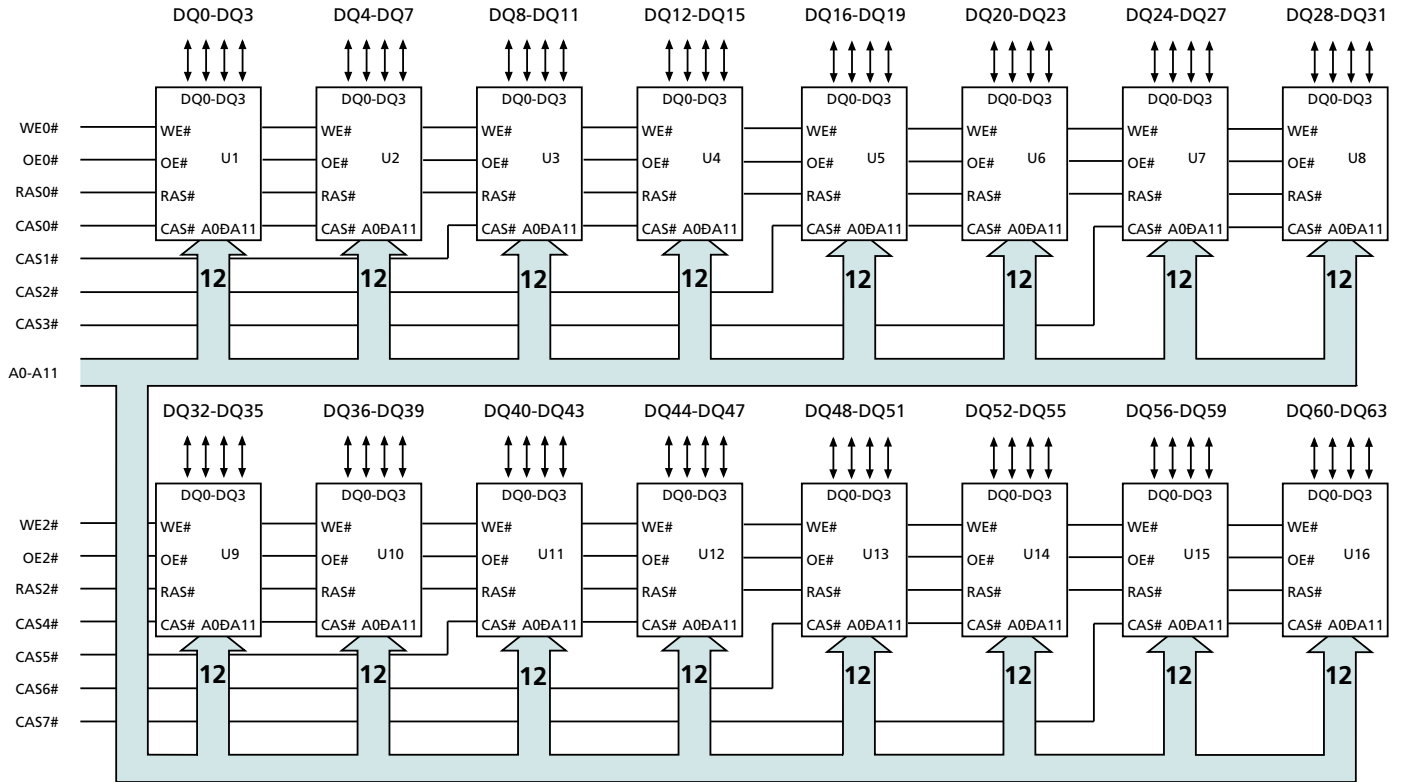
## SERIAL PRESENCE-DETECT OPERATION

This module family incorporates serial presence-detect (SPD). The SPD function is implemented using a 2,048-bit EEPROM. This nonvolatile storage device contains 256 bytes. The first 128 bytes can be programmed by Micron to identify the module type and various DRAM organizations and timing parameters. The remaining 128 bytes of storage are available for use by the customer. System READ/WRITE operations between the master (system logic) and the slave EEPROM device (DIMM) occur via a standard IIC bus using the DIMM's SCL (clock) and SDA (data) signals, together with SA(2:0), which provide 8 unique DIMM/EEPROM addresses.

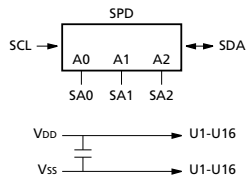
**FUNCTIONAL BLOCK DIAGRAM  
MT8LD864A X (64MB)**



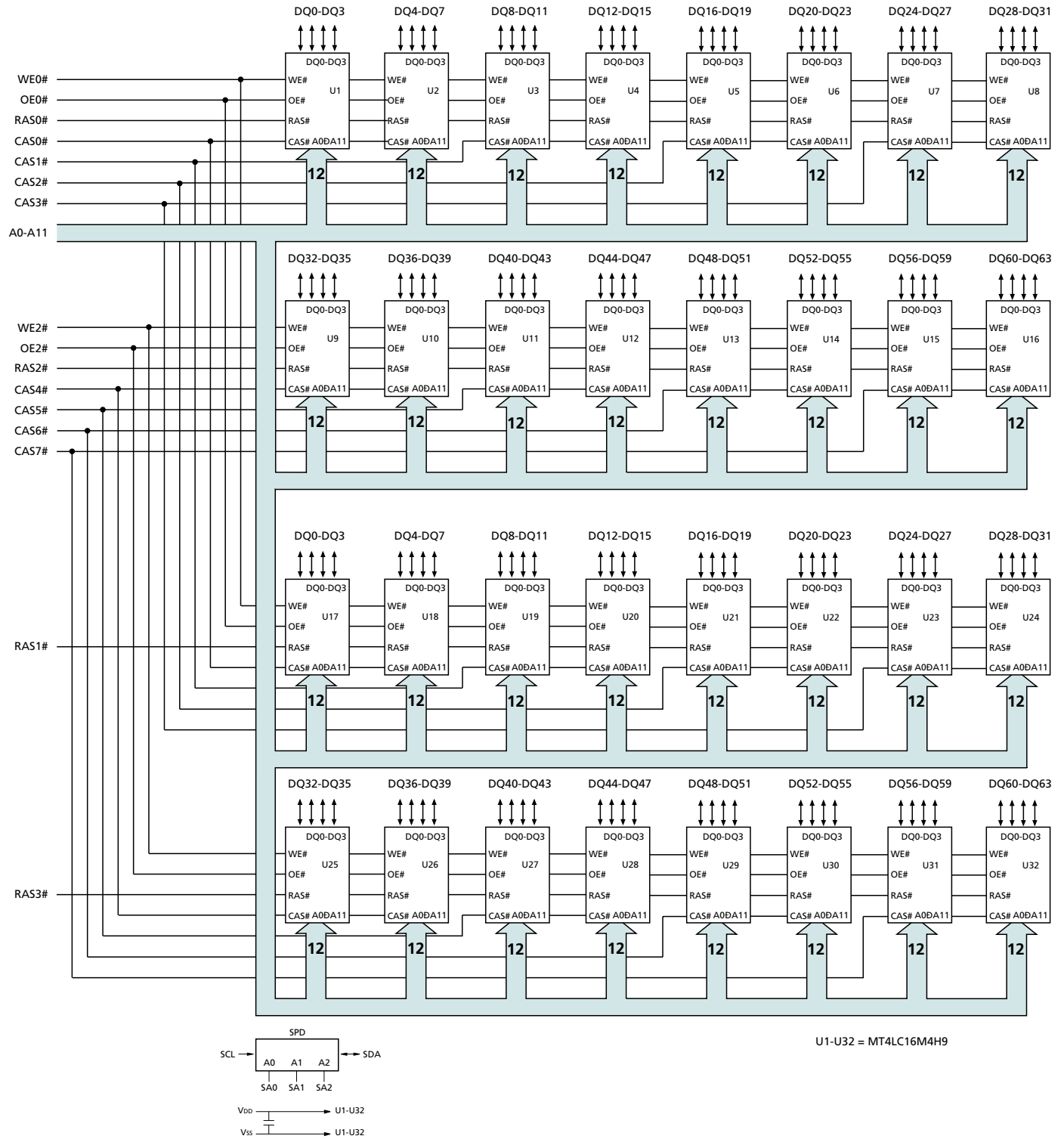
**FUNCTIONAL BLOCK DIAGRAM  
MT16LD1664A X (128MB)**



U1-U16 = MT4LC16M4H9



## FUNCTIONAL BLOCK DIAGRAM MT32LD3264A X (256MB)



**PIN DESCRIPTIONS**

PIN NUMBERS	SYMBOL	TYPE	DESCRIPTION
30, 45, 114, 129	RAS0#-RAS3#	Input	Row-Address Strobe: RAS# is used to clock-in the row-address bits. Two RAS# inputs allow for one x64 bank or two x32 banks.
28, 29, 46, 47, 112, 113, 130, 131	CAS0#-CAS7#	Input	Column-Address Strobe: CAS# is used to clock-in the column-address bits, enable the DRAM output buffers and strobe the data inputs on WRITE cycles. Eight CAS# inputs allow byte access control for any memory bank configuration.
27, 48	WE0#, WE2#	Input	Write Enable: WE# is the READ/WRITE control for the DQ pins. WE0# controls DQ0-DQ31. WE2# controls DQ32-DQ63. If WE# is LOW prior to CAS# going LOW, the access is an EARLY WRITE cycle. If WE# is HIGH while CAS# is LOW, the access is a READ cycle, provided OE# is also LOW. If WE# goes LOW after CAS# goes LOW, then the cycle is a LATE WRITE cycle. A LATE WRITE cycle is generally used in conjunction with a READ cycle to form a READ-MODIFY-WRITE cycle.
31, 44	OE0#, OE2#	Input	Output Enable: OE# is the input/output control for the DQ pins. OE0# controls DQ0-DQ31. OE2# controls DQ32-DQ63. These signals may be driven, allowing LATE WRITE cycles.
33-38, 117-122	A0-A11	Input	Address Inputs: These inputs are multiplexed and clocked by RAS# and CAS#.
2-5, 7-11, 13-17, 19-20, 55-58, 60, 65-67, 69-72, 74-77, 86-89, 91-95, 97-101, 103-104, 139-142, 144, 149-151, 153-156, 158-161	DQ0-DQ63	Input/Output	Data I/O: For WRITE cycles, DQ0-DQ63 act as inputs to the addressed DRAM location. BYTE WRITES may be performed by using the corresponding CAS# select (x64 mode only). For READ access cycles, DQ0-DQ63 act as outputs for the addressed DRAM location.
42, 62, 111, 115, 125-126, 128, 132, 146	RFU	–	Reserved for Future Use: These pins should be left unconnected.
6, 18, 26, 40, 41, 49, 59, 73, 84, 90, 102, 110, 124, 133, 143, 157, 168	V <sub>DD</sub>	Supply	Power Supply: +3.3V ±0.3V.
1, 12, 23, 32, 43, 54, 64, 68, 78, 85, 96, 107, 116, 127, 138, 148, 152, 162	V <sub>SS</sub>	Supply	Ground.
82	SDA	Input/Output	Serial Presence-Detect Data. SDA is a bidirectional pin used to transfer addresses and data into and data out of the presence-detect portion of the module.
83	SCL	Input	Serial Clock for Presence-Detect. SCL is used to synchronize the presence-detect data transfer to and from the module.
165-167	SA0-SA2	Input	Presence-Detect Address Inputs. These pins are used to configure the presence-detect device.

**SPD CLOCK AND DATA CONVENTIONS**

Data states on the SDA line can change only during SCL LOW. SDA state changes during SCL HIGH are reserved for indicating start and stop conditions (Figures 1 and 2).

**SPD START CONDITION**

All commands are preceded by the start condition, which is a HIGH-to-LOW transition of SDA when SCL is HIGH. The SPD device continuously monitors the SDA and SCL lines for the start condition and will not respond to any command until this condition has been met.

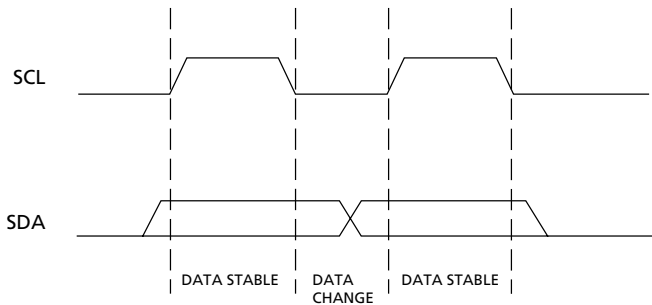
**SPD STOP CONDITION**

All communications are terminated by a stop condition, which is a LOW-to-HIGH transition of SDA when SCL is HIGH. The stop condition is also used to place the SPD device into standby power mode.

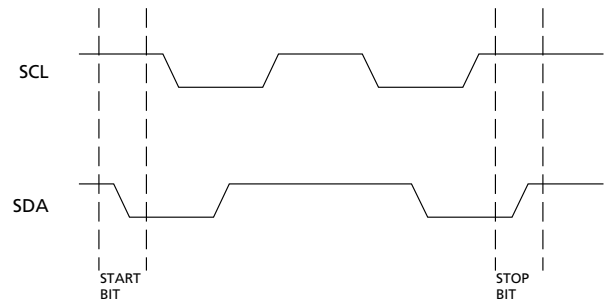
**SPD ACKNOWLEDGE**

Acknowledge is a software convention used to indicate successful data transfers. The transmitting device, either master or slave, will release the bus after transmitting eight bits. During the ninth clock cycle, the receiver will pull the SDA line LOW to acknowledge that it received the eight bits of data (Figure 3).

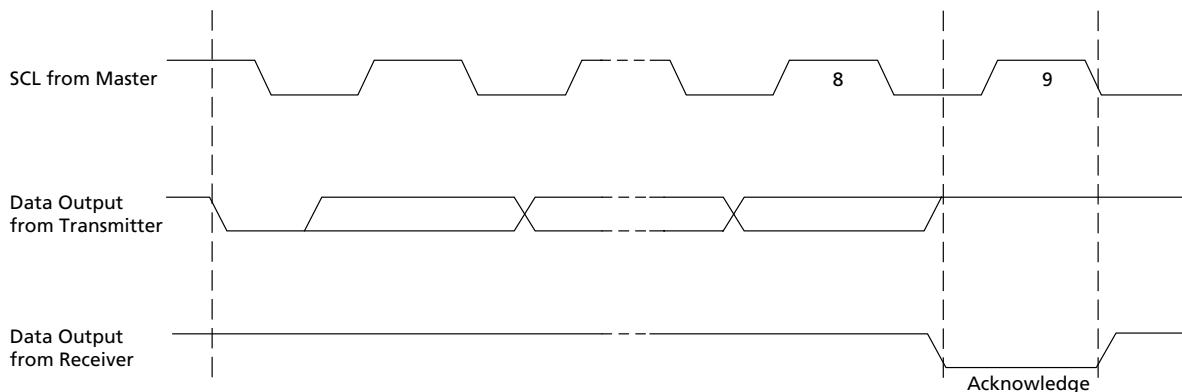
The SPD device will always respond with an acknowledge after recognition of a start condition and its slave address. If both the device and a write operation have been selected, the SPD device will respond with an acknowledge after the receipt of each subsequent eight-bit word. In the read mode the SPD device will transmit eight bits of data, release the SDA line and monitor the line for an acknowledge. If an acknowledge is detected and no stop condition is generated by the master, the slave will continue to transmit data. If an acknowledge is not detected, the slave will terminate further data transmissions and await the stop condition to return to standby power mode.



**Figure 1  
Data Validity**



**Figure 2  
Definition of Start and Stop**



**Figure 3  
Acknowledge Response From Receiver**



SERIAL PRESENCE-DETECT MATRIX

BYTE	DESCRIPTION	ENTRY (VERSION)	BIT7	BIT6	BIT5	BIT4	BIT3	BIT2	BIT1	BIT0	HEX
0	NUMBER OF BYTES USED BY MICRON	128	1	0	0	0	0	0	0	0	80
1	TOTAL NUMBER OF SPD MEMORY BYTES	256	0	0	0	0	1	0	0	0	08
2	MEMORY TYPE	EDO PAGE MODE	0	0	0	0	0	0	1	0	02
3	NUMBER OF ROW ADDRESSES	12	0	0	0	0	1	1	0	0	0C
4	NUMBER OF COLUMN ADDRESSES	11 (64MB)	0	0	0	0	1	0	1	1	0B
		12 (128MB, 256MB)	0	0	0	0	1	1	0	0	0C
5	NUMBER OF BANKS	1 (64MB, 128MB)	0	0	0	0	0	0	0	1	01
		2 (256MB)	0	0	0	0	0	0	1	0	02
6	DATA WIDTH	x64	0	1	0	0	0	0	0	0	40
7	DATA WIDTH (continued)	NONE	0	0	0	0	0	0	0	0	00
8	VOLTAGE INTERFACE	LVTTTL	0	0	0	0	0	0	0	1	01
9	RAS# ACCESS TIME (t <sub>RAC</sub> )	50ns (-5)	0	0	1	1	0	0	1	0	32
		60ns (-6)	0	0	1	1	1	1	0	0	3C
10	CAS# ACCESS TIME (t <sub>CAC</sub> )	13ns (-5)	0	0	0	0	1	1	0	1	0D
		15ns (-6)	0	0	0	0	1	1	1	1	0F
11	MODULE CONFIGURATION TYPE	NONPARITY	0	0	0	0	0	0	0	0	00
12	REFRESH RATES	15.625μs/NORMAL	0	0	0	0	0	0	0	0	00
13	DRAM WIDTH (PRIMARY DRAM)	x8 (64MB)	0	0	0	0	1	0	0	0	08
		x4 (128MB, 256MB)	0	0	0	1	0	0	0	0	10
14	ERROR CHECKING DRAM DATA WIDTH	NONE	0	0	0	0	0	0	0	0	00
15-61	RESERVED		0	0	0	0	0	0	0	0	00
62	SPD REVISION	REV. 0	0	0	0	0	0	0	0	0	00
63	CHECKSUM FOR BYTES 0-62	64MB -5	0	0	1	0	1	0	1	0	2A
		64MB -6	0	0	1	1	0	1	1	0	36
		128MB -5	0	0	1	1	0	0	1	1	33
		128MB -6	0	0	1	1	1	1	1	1	3F
		256MB -5	0	0	1	1	0	1	0	0	34
		256MB -6	0	1	0	0	0	0	0	0	40
64	MANUFACTURER'S JEDEC ID CODE	MICRON	0	0	1	0	1	1	0	0	2C
65-71	MANUFACTURER'S JEDEC CODE (CONT.)		1	1	1	1	1	1	1	1	FF
72	MANUFACTURING LOCATION		0	0	0	0	0	0	0	1	01
			0	0	0	0	0	0	1	0	02
			0	0	0	0	0	0	1	1	03
			0	0	0	0	0	1	0	0	04
73-90	MODULE PART NUMBER (ASCII)		x	x	x	x	x	x	x	x	xx
91	PCB IDENTIFICATION CODE	1	0	0	0	0	0	0	0	1	01
		2	0	0	0	0	0	0	1	0	02
		3	0	0	0	0	0	0	1	1	03
		4	0	0	0	0	0	1	0	0	04
92	IDENTIFICATION CODE (CONT.)	0	0	0	0	0	0	0	0	0	00
93	YEAR OF MANUFACTURE IN BCD		x	x	x	x	x	x	x	x	xx
94	WEEK OF MANUFACTURE IN BCD		x	x	x	x	x	x	x	x	xx
95-98	MODULE SERIAL NUMBER		x	x	x	x	x	x	x	x	xx
99-125	MANUFACTURE SPECIFIC DATA (RSVD)		-	-	-	-	-	-	-	-	-

**NOTE:** 1. "1"/"0": Serial Data, "driven to HIGH"/"driven to LOW."  
2. x = Variable Data.





**ABSOLUTE MAXIMUM RATINGS\***

Voltage on V<sub>DD</sub> Pin Relative to V<sub>SS</sub> .....-1V to +4.6V  
 Voltage on Inputs or I/O Pins  
     Relative to V<sub>SS</sub> .....-1V to +4.6V  
 Operating Temperature, T<sub>A</sub> (ambient) .. 0°C to +70°C  
 Storage Temperature (plastic) ..... -55°C to +125°C  
 Power Dissipation ..... 8W

\*Stresses greater than those listed under “Absolute Maximum Ratings” may cause permanent damage to the device. This is a stress rating only, and functional operation of the device at these or any other conditions above those indicated in the operational sections of this specification is not implied. Exposure to absolute maximum rating conditions for extended periods may affect reliability.

**DC ELECTRICAL CHARACTERISTICS AND OPERATING CONDITIONS**

(Notes: 1) (V<sub>DD</sub> = +3.3V ±0.3V)

PARAMETER/CONDITION	SYMBOL	SIZE	MIN	MAX	UNITS	NOTES
SUPPLY VOLTAGE	V <sub>DD</sub>	ALL	3	3.6	V	
INPUT HIGH VOLTAGE: Logic 1; All inputs	V <sub>IH</sub>	ALL	2	V <sub>DD</sub> + 0.3	V	30
INPUT LOW VOLTAGE: Logic 0; All inputs	V <sub>IL</sub>	ALL	-0.5	0.8	V	30
INPUT LEAKAGE CURRENT Any input 0V ≤ V <sub>IN</sub> ≤ V <sub>DD</sub> + 0.3V (All other pins not under test = 0V)	CAS0#-CAS7#	64MB	-2	2	μA	
		128MB	-4	4		
		256MB	-8	8		
	A0-A11	64MB	-16	16	μA	
128MB	-32	32				
	256MB	-64	64			
WE0#, WE2#, OE0#, OE2#	I <sub>B3</sub>	64MB	-8	8	μA	
		128MB	-16	16		
RAS0#-RAS3#	I <sub>B4</sub>	64MB	-8	8	μA	
		128MB	-16	16		
		256MB	-16	16		
OUTPUT LEAKAGE CURRENT: DQ is disabled; 0V ≤ V <sub>OUT</sub> ≤ V <sub>DD</sub> + 0.3V	I <sub>OZ</sub>	64MB	-5	5	μA	
		128MB	-5	5		
		256MB	-10	10		
OUTPUT LEVELS: Output High Voltage (I <sub>OUT</sub> = -2mA) Output Low Voltage (I <sub>OUT</sub> = 2mA)	V <sub>OH</sub>	ALL	2.4	-	V	
	V <sub>OL</sub>	ALL	-	0.4	V	



**I<sub>CC</sub> OPERATING CONDITIONS AND MAXIMUM LIMITS**

(Notes: 1, 5, 6) (V<sub>DD</sub> = +3.3V ±0.3V)

PARAMETER/CONDITION	SYMBOL	SIZE	MAX		UNITS	NOTES
			-5	-6		
STANDBY CURRENT: TTL (RAS# = CAS# = V <sub>IH</sub> )	I <sub>CC1</sub>	64MB 128MB 256MB	8 16 32	8 16 32	mA	
STANDBY CURRENT: CMOS (RAS# = CAS# = V <sub>DD</sub> - 0.2V)	I <sub>CC2</sub>	64MB 128MB 256MB	4 8 16	4 8 16	mA	
OPERATING CURRENT: Random READ/WRITE Average power supply current (RAS#, CAS#, address cycling: t <sub>RC</sub> = t <sub>RC</sub> [MIN])	I <sub>CC3</sub>	64MB 128MB 256MB	1,400 2,720 2,736	1,320 2,560 2,576	mA	3, 24
OPERATING CURRENT: EDO PAGE MODE Average power supply current (RAS# = V <sub>IL</sub> , CAS#, address cycling: t <sub>PC</sub> = t <sub>PC</sub> [MIN])	I <sub>CC4</sub>	64MB 128MB 256MB	1,240 2,400 2,416	1,000 1,920 1,936	mA	3, 24
REFRESH CURRENT: RAS#-ONLY Average power supply current (RAS# cycling, CAS# = V <sub>IH</sub> : t <sub>RC</sub> = t <sub>RC</sub> [MIN])	I <sub>CC5</sub>	64MB 128MB 256MB	1,400 2,720 2,736	1,320 2,560 2,576	mA	3, 24
REFRESH CURRENT: CBR Average power supply current (RAS#, CAS#, address cycling: t <sub>RC</sub> = t <sub>RC</sub> [MIN])	I <sub>CC6</sub>	64MB 128MB 256MB	1,320 2,560 2,576	1,240 2,400 2,416	mA	3, 4

**CAPACITANCE**

PARAMETER	SYMBOL	MAX			UNITS	NOTES
		64MB	128MB	256MB		
Input Capacitance: A0-A11	C <sub>I1</sub>	46	86	168	pF	2
Input Capacitance: WE0#, WE2#, OE0#, OE2#	C <sub>I2</sub>	32	60	118	pF	2
Input Capacitance: RAS0#-RAS3#	C <sub>I3</sub>	32	60	60	pF	2
Input Capacitance: CAS0#-CAS7#	C <sub>I4</sub>	10	18	32	pF	2
Input Capacitance: SCL, SA0-SA2	C <sub>I5</sub>	6	6	6	pF	2
Input/Output Capacitance: DQ0-DQ63, SDA	C <sub>I0</sub>	12	12	22	pF	2



## EDO PAGE MODE

### AC ELECTRICAL CHARACTERISTICS

(Notes: 5, 6, 7, 8, 9, 12, 29) ( $V_{DD} = +3.3V \pm 0.3V$ )

AC CHARACTERISTICS		-5		-6			
PARAMETER	SYMBOL	MIN	MAX	MIN	MAX	UNITS	NOTES
Access time from column address	$t_{AA}$		25		30	ns	
Column-address setup to CAS# precharge during writes	$t_{ACH}$	12		15		ns	
Column-address hold time (referenced to RAS#)	$t_{AR}$	38		45		ns	
Column-address setup time	$t_{ASC}$	0		0		ns	
Row-address setup time	$t_{ASR}$	0		0		ns	
Column address to WE# delay time	$t_{AWD}$	42		49		ns	23
Access time from CAS#	$t_{CAC}$		13		15	ns	14
Column-address hold time	$t_{CAH}$	8		10		ns	
CAS# pulse width	$t_{CAS}$	8	10,000	10	10,000	ns	
CAS# hold time (CBR Refresh)	$t_{CHR}$	8		10		ns	4
CAS# to output in Low-Z	$t_{CLZ}$	0		0		ns	
Data output hold after CAS# LOW	$t_{COH}$	3		3		ns	
CAS# precharge time	$t_{CP}$	8		10		ns	15
Access time from CAS# precharge	$t_{CPA}$		28		35	ns	
CAS# to RAS# precharge time	$t_{CRP}$	5		5		ns	
CAS# hold time	$t_{CSH}$	38		45		ns	
CAS# setup time (CBR Refresh)	$t_{CSR}$	5		5		ns	4
CAS# to WE# delay time	$t_{CWD}$	30		35		ns	23
WRITE command to CAS# lead time	$t_{CWL}$	8		10		ns	
Data-in hold time	$t_{DH}$	8		10		ns	22
Data-in setup time	$t_{DS}$	0		0		ns	22
Output disable	$t_{OD}$	0	12	0	15	ns	
Output enable	$t_{OE}$		12		15	ns	
OE# hold time from WE# during READ-MODIFY-WRITE cycle	$t_{OEH}$	8		10		ns	
OE# HIGH hold time from CAS# HIGH	$t_{OEHC}$	5		10		ns	
OE# HIGH pulse width	$t_{OEP}$	5		5		ns	
OE# LOW to CAS# HIGH setup time	$t_{OES}$	4		5		ns	
Output buffer turn-off delay	$t_{OFF}$	0	12	0	15	ns	19, 27
OE# setup prior to RAS# during HIDDEN REFRESH cycle	$t_{ORD}$	0		0		ns	19
EDO-PAGE-MODE READ or WRITE cycle time	$t_{PC}$	20		25		ns	
EDO-PAGE-MODE READ-WRITE cycle time	$t_{PRWC}$	47		56		ns	
Access time from RAS#	$t_{RAC}$		50		60	ns	13
RAS# to column-address delay time	$t_{RAD}$	9		12		ns	17
Row-address hold time	$t_{RAH}$	9		10		ns	
RAS# pulse width	$t_{RAS}$	50	10,000	60	10,000	ns	
RAS# pulse width (EDO PAGE MODE)	$t_{RASP}$	50	125,000	60	125,000	ns	
Random READ or WRITE cycle time	$t_{RC}$	84		104		ns	
RAS# to CAS# delay time	$t_{RCD}$	11		14		ns	16
READ command hold time (referenced to CAS#)	$t_{RCH}$	0		0		ns	18
READ command setup time	$t_{RCS}$	0		0		ns	



**EDO PAGE MODE**

**AC ELECTRICAL CHARACTERISTICS**

(Notes: 5, 6, 7, 8, 9, 12, 29) ( $V_{DD} = +3.3V \pm 0.3V$ )

AC CHARACTERISTICS		-5		-6			
PARAMETER	SYMBOL	MIN	MAX	MIN	MAX	UNITS	NOTES
Refresh period (4,096 cycles)	$t_{REF}$		64		64	ms	
RAS# precharge time	$t_{RP}$	30		40		ns	
RAS# to CAS# precharge time	$t_{RPC}$	5		5		ns	
READ command hold time (referenced to RAS#)	$t_{RRH}$	0		0		ns	18
RAS# hold time	$t_{RSH}$	13		15		ns	
READ-WRITE cycle time	$t_{RWC}$	116		140		ns	
RAS# to WE# delay time	$t_{RWD}$	67		79		ns	23
WRITE command to RAS# lead time	$t_{RWL}$	13		15		ns	
Transition time (rise or fall)	$t_T$	2	50	2	50	ns	
WRITE command hold time	$t_{WCH}$	8		10		ns	
WRITE command hold time (referenced to RAS#)	$t_{WCR}$	38		45		ns	
WE# command setup time	$t_{WCS}$	0		0		ns	
Output disable delay from WE# (CAS# HIGH)	$t_{WHZ}$		12		15	ns	
WRITE command pulse width	$t_{WP}$	5		5		ns	
WE# pulse width for output disable when CAS# HIGH	$t_{WPZ}$	10		10		ns	
WE# hold time (CBR Refresh)	$t_{WRH}$	8		10		ns	
WE# setup time (CBR Refresh)	$t_{WRP}$	8		10		ns	

**SERIAL PRESENCE-DETECT EEPROM OPERATING CONDITIONS**

 (Notes: 1) ( $V_{DD} = +3.3V \pm 0.3V$ )

PARAMETER/CONDITION	SYMBOL	MIN	MAX	UNITS	NOTES
SUPPLY VOLTAGE	$V_{DD}$	3	3.6	V	
INPUT HIGH VOLTAGE: Logic 1; All inputs	$V_{IH}$	$V_{DD} \times 0.7$	$V_{DD} + 0.5$	V	
INPUT LOW VOLTAGE: Logic 0; All inputs	$V_{IL}$	-1	$V_{DD} \times 0.3$	V	
OUTPUT LOW VOLTAGE: $I_{OUT} = 3mA$	$V_{OL}$	-	0.4	V	
INPUT LEAKAGE CURRENT: $V_{IN} = GND$ to $V_{DD}$	$I_{LI}$	-	10	$\mu A$	
OUTPUT LEAKAGE CURRENT: $V_{OUT} = GND$ to $V_{DD}$	$I_{LO}$	-	10	$\mu A$	
STANDBY CURRENT: SCL = SDA = $V_{DD} - 0.3V$ ; All other inputs = GND or $3.3V + 10\%$	$I_{SB}$	-	30	$\mu A$	
POWER SUPPLY CURRENT: SCL clock frequency = 100 KHz	$I_{CC}$	-	2	mA	

**SERIAL PRESENCE-DETECT EEPROM AC ELECTRICAL CHARACTERISTICS**

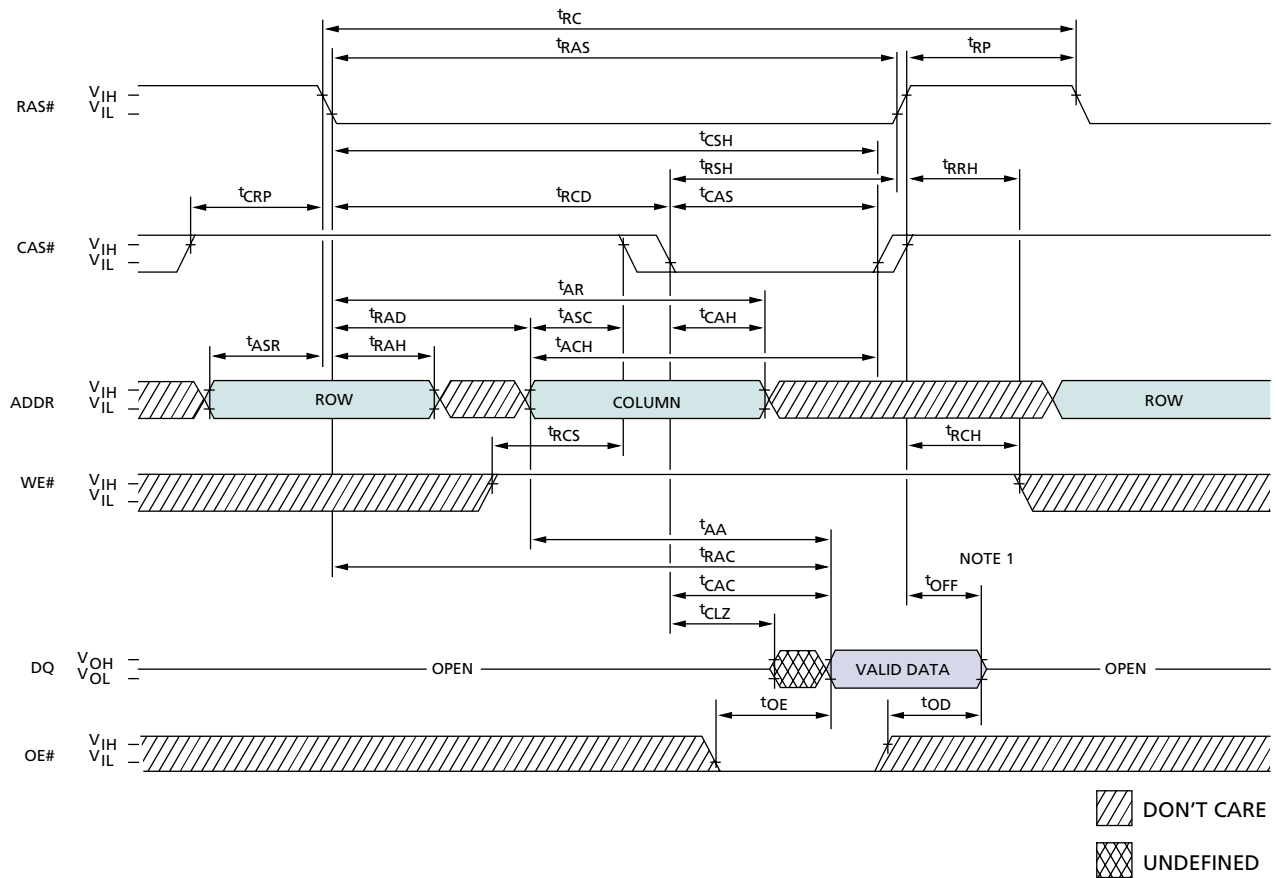
 (Notes: 1) ( $V_{DD} = +3.3V \pm 0.3V$ )

PARAMETER/CONDITION	SYMBOL	MIN	MAX	UNITS	NOTES
SCL LOW to SDA data-out valid	$t_{AA}$	0.3	3.5	$\mu s$	
Time the bus must be free before a new transition can start	$t_{BUF}$	4.7		$\mu s$	
Data-out hold time	$t_{DH}$	300		ns	
SDA and SCL fall time	$t_F$		300	ns	
Data-in hold time	$t_{HD:DAT}$	0		$\mu s$	
Start condition hold time	$t_{HD:STA}$	4		$\mu s$	
Clock HIGH period	$t_{HIGH}$	4		$\mu s$	
Noise suppression time constant at SCL, SDA inputs	$t_I$		100	ns	
Clock LOW period	$t_{LOW}$	4.7		$\mu s$	
SDA and SCL rise time	$t_R$		1	$\mu s$	
SCL clock frequency	$t_{SCL}$		100	KHz	
Data-in setup time	$t_{SU:DAT}$	250		ns	
Start condition setup time	$t_{SU:STA}$	4.7		$\mu s$	
Stop condition setup time	$t_{SU:STO}$	4.7		$\mu s$	
WRITE cycle time	$t_{WR}$		10	ms	28

**NOTES**

1. All voltages referenced to  $V_{SS}$ .
2. This parameter is sampled.  $V_{DD} = +3.3V$ ;  $f = 1$  MHz.
3.  $I_{CC}$  is dependent on output loading and cycle rates. Specified values are obtained with minimum cycle time and the outputs open.
4. Enables on-chip refresh and address counters.
5. The minimum specifications are used only to indicate cycle time at which proper operation over the full temperature range is ensured.
6. An initial pause of  $100\mu s$  is required after power-up, followed by eight RAS# REFRESH cycles (RAS#-ONLY or CBR with WE# HIGH), before proper device operation is ensured. The eight RAS# cycle wake-ups should be repeated any time the  $t_{REF}$  refresh requirement is exceeded.
7. AC characteristics assume  $t_T = 2ns$  for -5 and  $2.5ns$  for -6.
8.  $V_{IH}$  (MIN) and  $V_{IL}$  (MAX) are reference levels for measuring timing of input signals. Transition times are measured between  $V_{IH}$  and  $V_{IL}$  (or between  $V_{IL}$  and  $V_{IH}$ ).
9. In addition to meeting the transition rate specification, all input signals must transit between  $V_{IH}$  and  $V_{IL}$  (or between  $V_{IL}$  and  $V_{IH}$ ) in a monotonic manner.
10. If CAS# and RAS# =  $V_{IH}$ , data output is High-Z.
11. If CAS# =  $V_{IL}$ , data output may contain data from the last valid READ cycle.
12. Measured with a load equivalent to two TTL gates and  $100pF$  and  $V_{OL} = 0.8V$  and  $V_{OH} = 2V$ .
13. Requires that  $t_{AA}$  and  $t_{CAC}$  are not violated.
14. Requires that  $t_{AA}$  and  $t_{RAC}$  are not violated.
15. If CAS# is LOW at the falling edge of RAS#, output data will be maintained from the previous cycle. To initiate a new cycle and clear the data-out buffer, CAS# must be pulsed HIGH for  $t_{CP}$ .
16. The  $t_{RCD}$  (MAX) limit is no longer specified.  $t_{RCD}$  (MAX) was specified as a reference point only. If  $t_{RCD}$  was greater than the specified  $t_{RCD}$  (MAX) limit, then access time was controlled exclusively by  $t_{CAC}$  ( $t_{RAC}$  [MIN] no longer applied). With or without the  $t_{RCD}$  (MAX) limit,  $t_{AA}$  and  $t_{CAC}$  must always be met.
17. The  $t_{RAD}$  (MAX) limit is no longer specified.  $t_{RAD}$  (MAX) was specified as a reference point only. If  $t_{RAD}$  was greater than the specified  $t_{RAD}$  (MAX) limit, then access time was controlled exclusively by  $t_{AA}$  ( $t_{RAC}$  and  $t_{CAC}$  no longer applied). With or without the  $t_{RAD}$  (MAX) limit,  $t_{AA}$ ,  $t_{RAC}$  and  $t_{CAC}$  must always be met.
18. Either  $t_{RCH}$  or  $t_{RRH}$  must be satisfied for a READ cycle.
19.  $t_{OFF}$  (MAX) defines the time at which the output achieves the open circuit condition and is not referenced to  $V_{OH}$  or  $V_{OL}$ .
20. A HIDDEN REFRESH may also be performed after a WRITE cycle. In this case, WE# = LOW and OE# = HIGH.
21. The maximum current ratings are based with the memory operating or being refreshed in the x64 mode. The stated maximums may be reduced by approximately one-half when used in the x32 mode.
22. These parameters are referenced to CAS# leading edge in EARLY WRITE cycles and WE# leading edge in LATE WRITE or READ-MODIFY-WRITE cycles.
23.  $t_{WCS}$ ,  $t_{RWD}$ ,  $t_{AWD}$  and  $t_{CWD}$  are not restrictive operating parameters.  $t_{WCS}$  applies to EARLY WRITE cycles. If  $t_{WCS} > t_{WCS}$  (MIN), the cycle is an EARLY WRITE cycle and the data output will remain an open circuit throughout the entire cycle.  $t_{RWD}$ ,  $t_{AWD}$  and  $t_{CWD}$  define READ-MODIFY-WRITE cycles. Meeting these limits allows for reading and disabling output data and then applying input data. OE# held HIGH and WE# taken LOW after CAS# goes LOW result in a LATE WRITE (OE#-controlled) cycle.  $t_{WCS}$ ,  $t_{RWD}$ ,  $t_{CWD}$  and  $t_{AWD}$  are not applicable in a LATE WRITE cycle.
24. Column address changed once each cycle.
25. The 3ns minimum parameter guaranteed by design.
26. Measured with the specified current load and  $100pF$ .
27.  $t_{OFF}$  on an EDO module is determined by the latter of the RAS# and CAS# signals to transition HIGH.
28. The SPD EEPROM WRITE cycle time ( $t_{WR}$ ) is the time from a valid stop condition of a write sequence to the end of the EEPROM internal erase/program cycle. During the WRITE cycle, the EEPROM bus interface circuit are disabled, SDA remains HIGH due to pull-up resistor, and the EEPROM does not respond to its slave address.
29. If OE# is tied permanently LOW, LATE WRITE or READ-MODIFY-WRITE operations are not possible.
30.  $V_{IH}$  overshoot:  $V_{IH}$  (MAX) =  $V_{DD} + 2V$  for a pulse width  $\leq 10ns$ , and the pulse width cannot be greater than one third of the cycle rate.  $V_{IL}$  undershoot:  $V_{IL}$  (MIN) =  $-2V$  for a pulse width  $\leq 10ns$ , and the pulse width cannot be greater than one third of the cycle rate.

## READ CYCLE



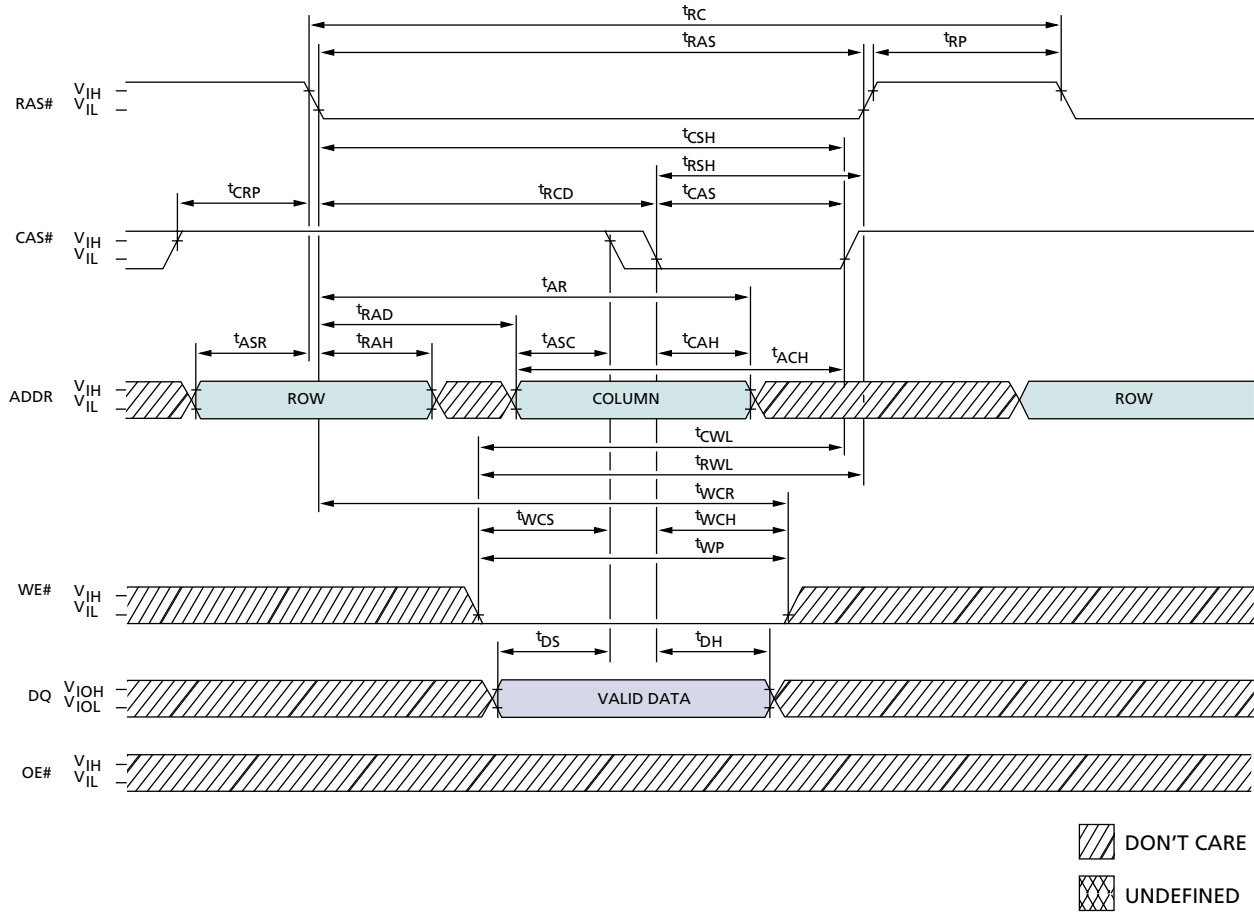
## TIMING PARAMETERS

SYMBOL	-5		-6		UNITS
	MIN	MAX	MIN	MAX	
t <sub>AA</sub>		25		30	ns
t <sub>ACH</sub>	12		15		ns
t <sub>AR</sub>	38		45		ns
t <sub>ASC</sub>	0		0		ns
t <sub>ASR</sub>	0		0		ns
t <sub>CAC</sub>		13		15	ns
t <sub>CAH</sub>	8		10		ns
t <sub>CAS</sub>	8	10,000	10	10,000	ns
t <sub>CLZ</sub>	0		0		ns
t <sub>CRP</sub>	5		5		ns
t <sub>CSH</sub>	38		45		ns
t <sub>OD</sub>	0	12	0	15	ns
t <sub>OE</sub>		12		15	ns

SYMBOL	-5		-6		UNITS
	MIN	MAX	MIN	MAX	
t <sub>OFF</sub>	0	12	0	15	ns
t <sub>RAC</sub>		50		60	ns
t <sub>RAD</sub>	9		12		ns
t <sub>RAH</sub>	9		10		ns
t <sub>RAS</sub>	50	10,000	60	10,000	ns
t <sub>RC</sub>	84		104		ns
t <sub>RCD</sub>	11		14		ns
t <sub>RCH</sub>	0		0		ns
t <sub>RCS</sub>	0		0		ns
t <sub>RP</sub>	30		40		ns
t <sub>RRH</sub>	0		0		ns
t <sub>RSH</sub>	13		15		ns

**NOTE:** 1. t<sub>OFF</sub> is referenced from rising edge of RAS# or CAS#, whichever occurs last.

## EARLY WRITE CYCLE



## TIMING PARAMETERS

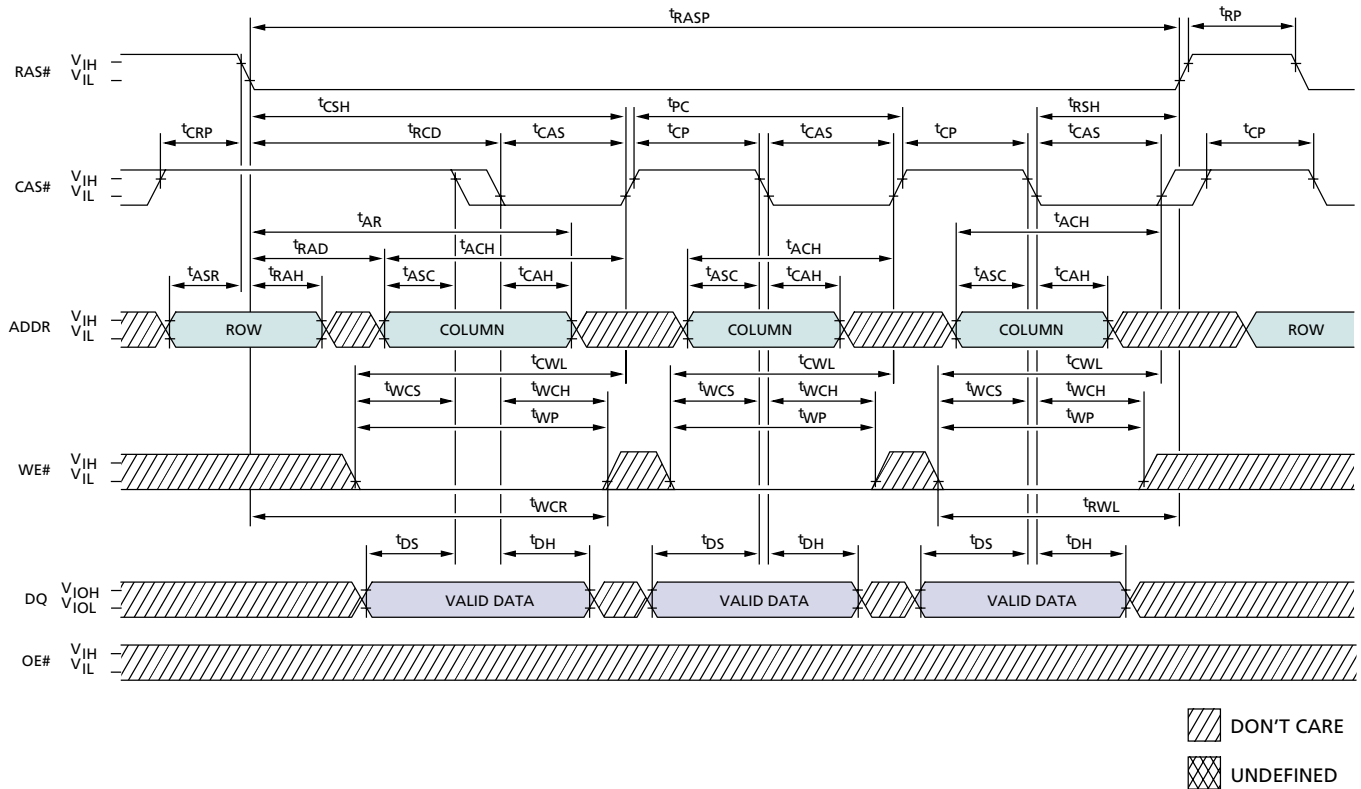
SYMBOL	-5		-6		UNITS
	MIN	MAX	MIN	MAX	
$t_{ACH}$	12		15		ns
$t_{AR}$	38		45		ns
$t_{ASC}$	0		0		ns
$t_{ASR}$	0		0		ns
$t_{CAH}$	8		10		ns
$t_{CAS}$	8	10,000	10	10,000	ns
$t_{CRP}$	5		5		ns
$t_{CSH}$	38		45		ns
$t_{CWL}$	8		10		ns
$t_{DH}$	8		10		ns
$t_{DS}$	0		0		ns
$t_{RAD}$	9		12		ns

SYMBOL	-5		-6		UNITS
	MIN	MAX	MIN	MAX	
$t_{RAH}$	9		10		ns
$t_{RAS}$	50	10,000	60	10,000	ns
$t_{RC}$	84		104		ns
$t_{RCD}$	11		14		ns
$t_{RP}$	30		40		ns
$t_{RSH}$	13		15		ns
$t_{RWL}$	13		15		ns
$t_{WCH}$	8		10		ns
$t_{WCR}$	38		45		ns
$t_{WCS}$	0		0		ns
$t_{WP}$	5		5		ns





EDO-PAGE-MODE EARLY WRITE CYCLE

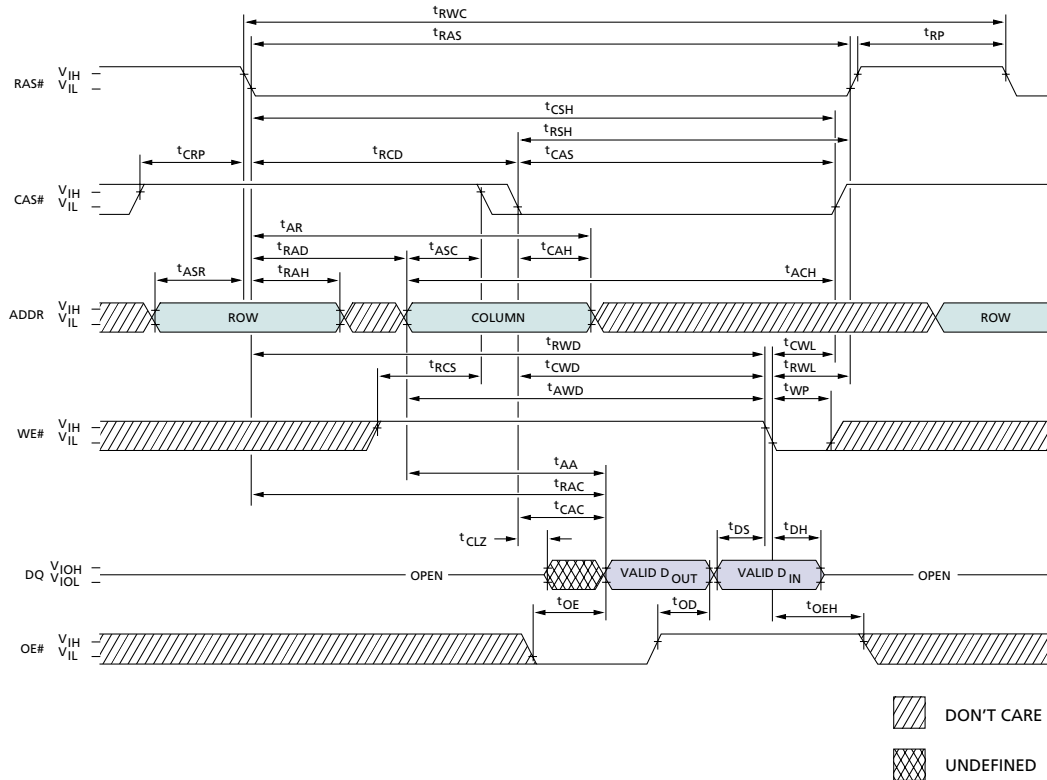


TIMING PARAMETERS

SYMBOL	-5		-6		UNITS
	MIN	MAX	MIN	MAX	
t <sub>ACH</sub>	12		15		ns
t <sub>AR</sub>	38		45		ns
t <sub>ASC</sub>	0		0		ns
t <sub>ASR</sub>	0		0		ns
t <sub>CAH</sub>	8		10		ns
t <sub>CAS</sub>	8	10,000	10	10,000	ns
t <sub>CP</sub>	8		10		ns
t <sub>CRP</sub>	5		5		ns
t <sub>CSH</sub>	38		45		ns
t <sub>CWL</sub>	8		10		ns
t <sub>DH</sub>	8		10		ns
t <sub>DS</sub>	0		0		ns

SYMBOL	-5		-6		UNITS
	MIN	MAX	MIN	MAX	
t <sub>PC</sub>	20		25		ns
t <sub>RAD</sub>	9		12		ns
t <sub>RAH</sub>	9		10		ns
t <sub>RASP</sub>	50	125,000	60	125,000	ns
t <sub>RCD</sub>	11		14		ns
t <sub>RP</sub>	30		40		ns
t <sub>RSH</sub>	13		15		ns
t <sub>RWL</sub>	13		15		ns
t <sub>WCH</sub>	8		10		ns
t <sub>WCR</sub>	38		45		ns
t <sub>WCS</sub>	0		0		ns
t <sub>WP</sub>	5		5		ns

## READ-WRITE CYCLE (LATE WRITE and READ-MODIFY-WRITE cycles)

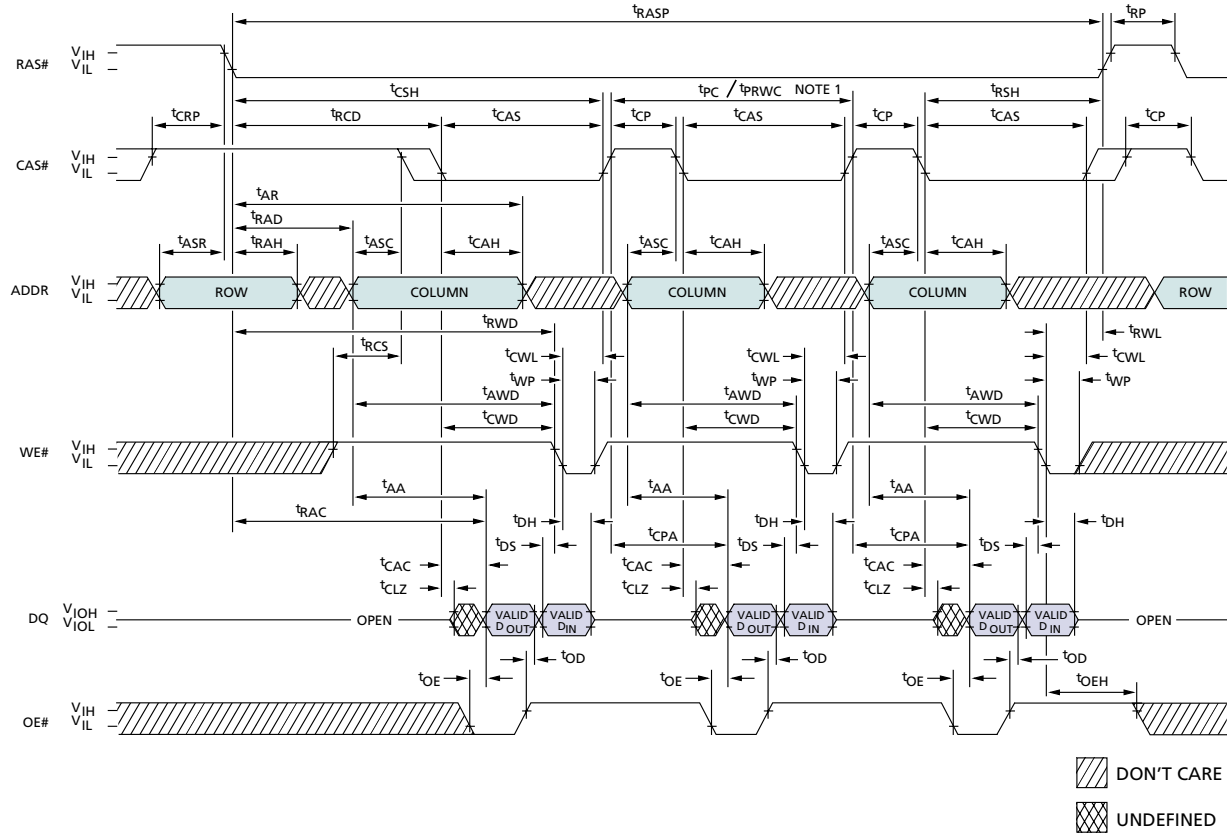


### TIMING PARAMETERS

SYMBOL	-5		-6		UNITS
	MIN	MAX	MIN	MAX	
t <sub>AA</sub>		25		30	ns
t <sub>ACH</sub>	12		15		ns
t <sub>AR</sub>	38		45		ns
t <sub>ASC</sub>	0		0		ns
t <sub>ASR</sub>	0		0		ns
t <sub>AWD</sub>	42		49		ns
t <sub>CAC</sub>		13		15	ns
t <sub>CAH</sub>	8		10		ns
t <sub>CAS</sub>	8	10,000	10	10,000	ns
t <sub>CLZ</sub>	0		0		ns
t <sub>CRP</sub>	5		5		ns
t <sub>CSH</sub>	38		45		ns
t <sub>CWD</sub>	30		35		ns
t <sub>CWL</sub>	8		10		ns
t <sub>DH</sub>	8		10		ns
t <sub>DS</sub>	0		0		ns

SYMBOL	-5		-6		UNITS
	MIN	MAX	MIN	MAX	
t <sub>OD</sub>	0	12	0	15	ns
t <sub>OE</sub>		12		15	ns
t <sub>OEH</sub>	8		10		ns
t <sub>RAC</sub>		50		60	ns
t <sub>RAD</sub>	9		12		ns
t <sub>RAH</sub>	9		10		ns
t <sub>RAS</sub>	50	10,000	60	10,000	ns
t <sub>RCD</sub>	11		14		ns
t <sub>RCS</sub>	0		0		ns
t <sub>RP</sub>	30		40		ns
t <sub>RSH</sub>	13		15		ns
t <sub>RWC</sub>	116		140		ns
t <sub>RWD</sub>	67		79		ns
t <sub>RWL</sub>	13		15		ns
t <sub>WP</sub>	5		5		ns

### EDO-PAGE-MODE READ-WRITE CYCLE (LATE WRITE and READ-MODIFY-WRITE cycles)



DON'T CARE  
 UNDEFINED

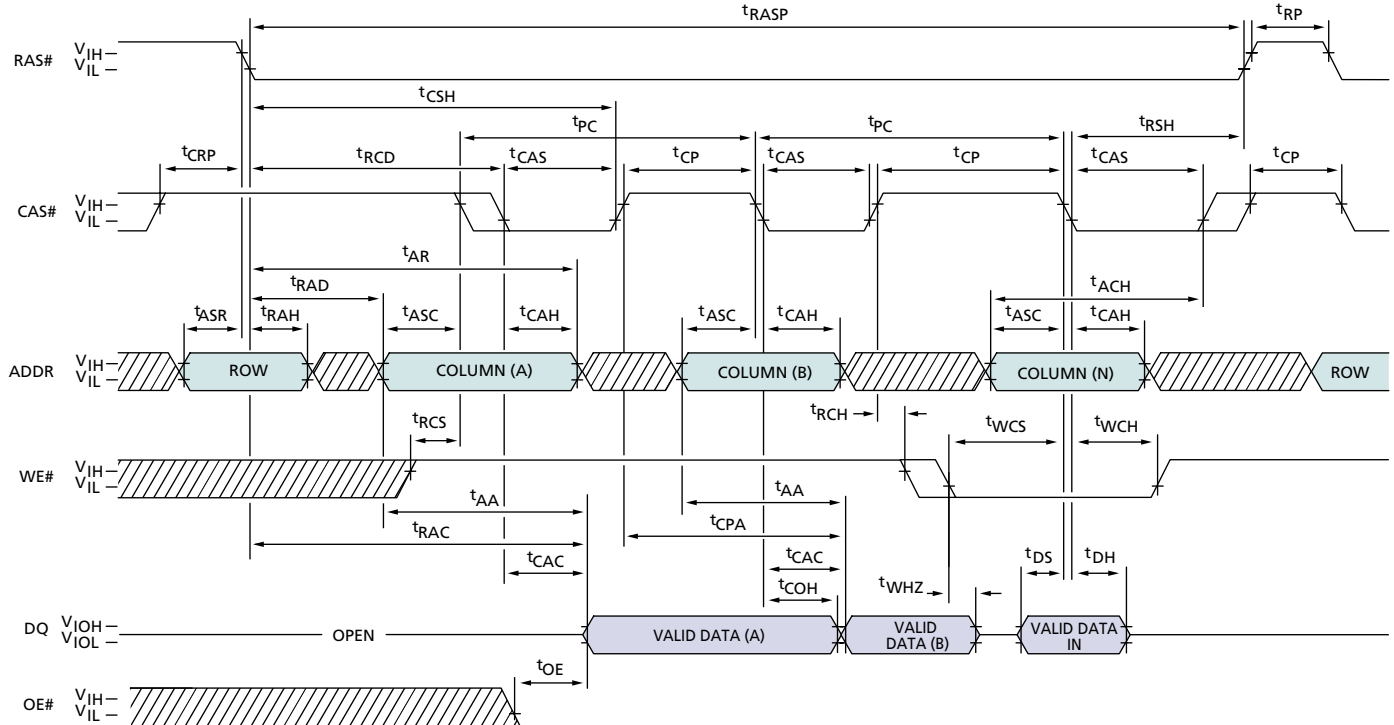
#### TIMING PARAMETERS

SYMBOL	-5		-6		UNITS
	MIN	MAX	MIN	MAX	
tAA		25		30	ns
tAR	38		45		ns
tASC	0		0		ns
tASR	0		0		ns
tAWD	42		49		ns
tCAC		13		15	ns
tCAH	8		10		ns
tCAS	8	10,000	10	10,000	ns
tCLZ	0		0		ns
tCP	8		10		ns
tCPA		28		35	ns
tCRP	5		5		ns
tCSH	38		45		ns
tCWD	30		35		ns
tCWL	8		10		ns
tDH	8		10		ns
tDS	0		0		ns

SYMBOL	-5		-6		UNITS
	MIN	MAX	MIN	MAX	
tOD	0	12	0	15	ns
tOE		12		15	ns
tOEH	8		10		ns
tPC	20		25		ns
tPRWC	47		56		ns
tRAC		50		60	ns
tRAD	9		12		ns
tRAH	9		10		ns
tRASP	50	125,000	60	125,000	ns
tRCD	11		14		ns
tRCS	0		0		ns
tRP	30		40		ns
tRSH	13		15		ns
tRWD	67		79		ns
tRWL	13		15		ns
tWP	5		5		ns

**NOTE:** 1. tPC is for LATE WRITE cycles only.

**EDO-PAGE-MODE READ EARLY WRITE CYCLE**  
(Pseudo READ-MODIFY-WRITE)



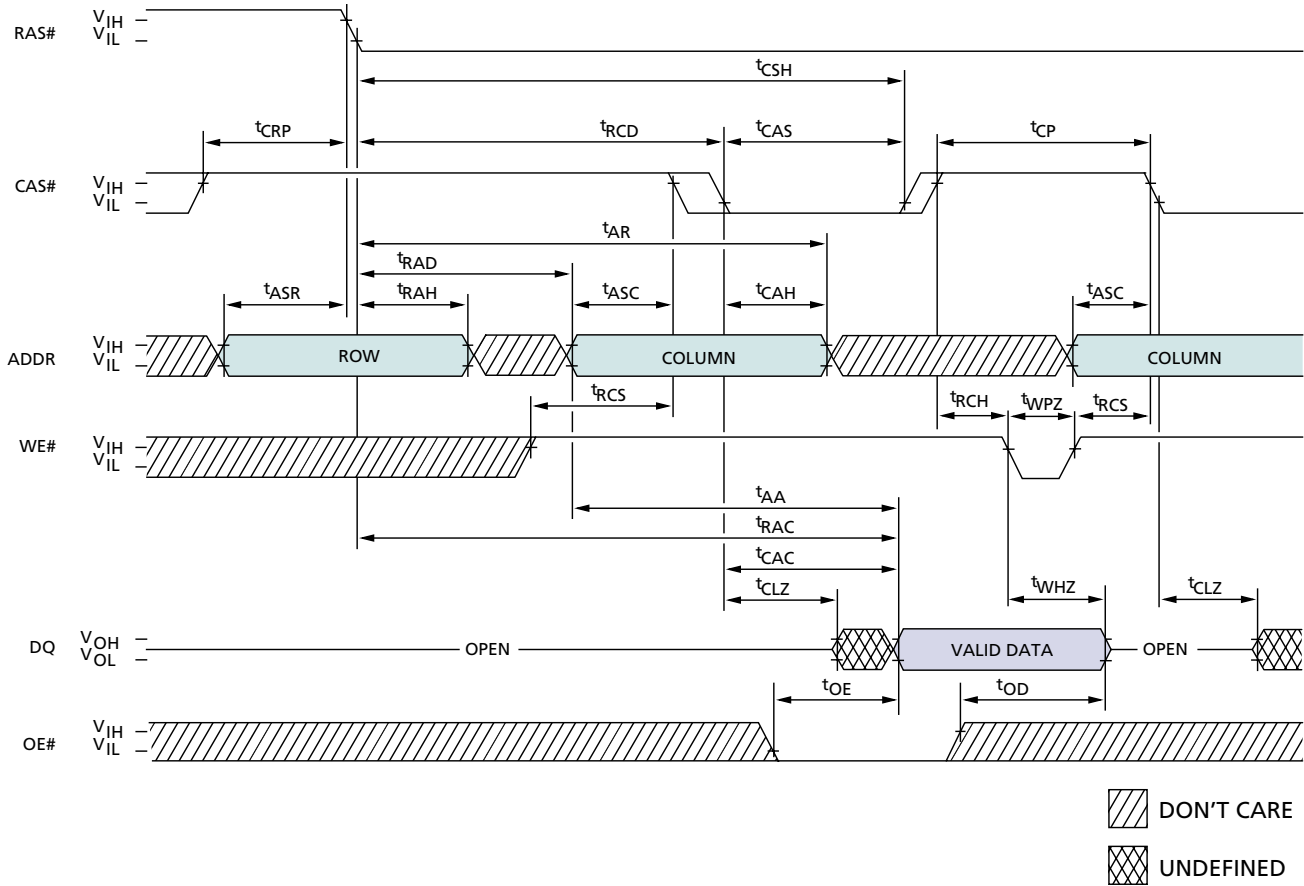
DON'T CARE  
 UNDEFINED

**TIMING PARAMETERS**

SYMBOL	-5		-6		UNITS
	MIN	MAX	MIN	MAX	
t <sub>AA</sub>		25		30	ns
t <sub>ACH</sub>	12		15		ns
t <sub>AR</sub>	38		45		ns
t <sub>ASC</sub>	0		0		ns
t <sub>ASR</sub>	0		0		ns
t <sub>CAC</sub>		13		15	ns
t <sub>CAH</sub>	8		10		ns
t <sub>CAS</sub>	8	10,000	10	10,000	ns
t <sub>COH</sub>	3		3		ns
t <sub>CP</sub>	8		10		ns
t <sub>CPA</sub>		28		35	ns
t <sub>CRP</sub>	5		5		ns
t <sub>CSH</sub>	38		45		ns
t <sub>DH</sub>	8		10		ns
t <sub>DS</sub>	0		0		ns

SYMBOL	-5		-6		UNITS
	MIN	MAX	MIN	MAX	
t <sub>OE</sub>		12		15	ns
t <sub>PC</sub>	20		25		ns
t <sub>RAC</sub>		50		60	ns
t <sub>RAD</sub>	9		12		ns
t <sub>RAH</sub>	9		10		ns
t <sub>RASP</sub>	50	125,000	60	125,000	ns
t <sub>RCD</sub>	11		14		ns
t <sub>RCH</sub>	0		0		ns
t <sub>RCS</sub>	0		0		ns
t <sub>RP</sub>	30		40		ns
t <sub>RSH</sub>	13		15		ns
t <sub>WCH</sub>	8		10		ns
t <sub>WCS</sub>	0		0		ns
t <sub>WHZ</sub>		12		15	ns

**EDO READ CYCLE**  
(with WE#-controlled disable)

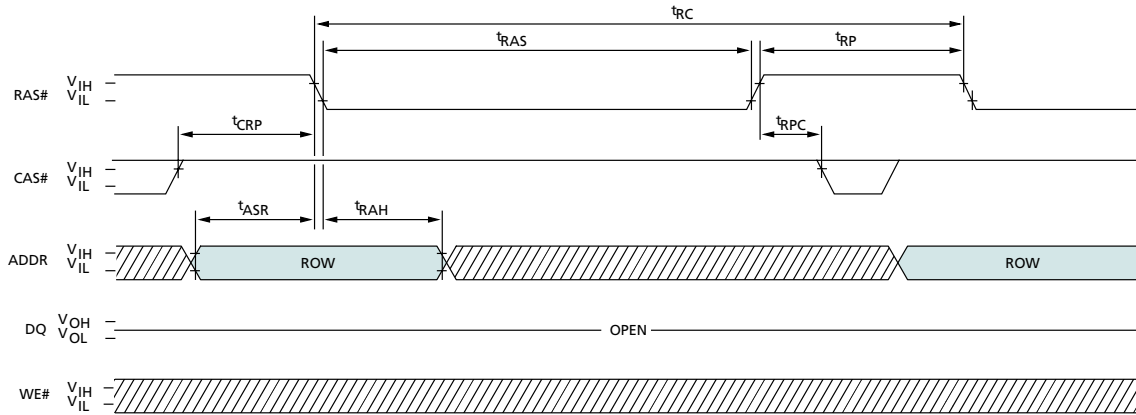


**TIMING PARAMETERS**

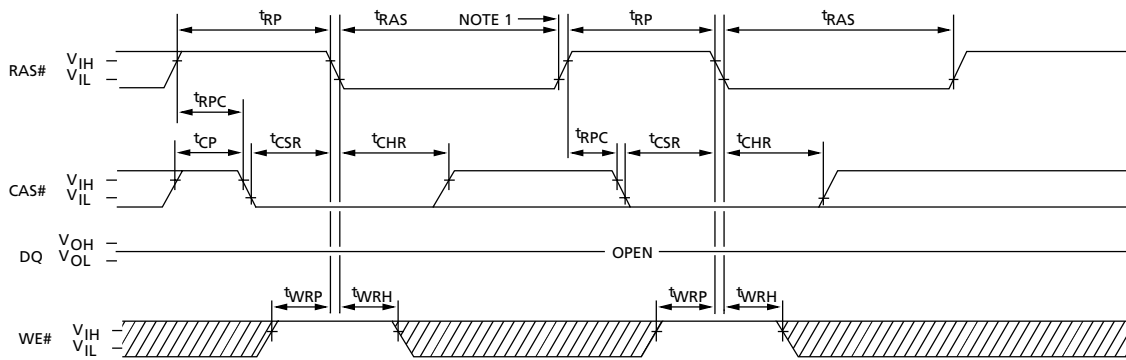
SYMBOL	-5		-6		UNITS
	MIN	MAX	MIN	MAX	
$t_{AA}$		25		30	ns
$t_{AR}$	38		45		ns
$t_{ASC}$	0		0		ns
$t_{ASR}$	0		0		ns
$t_{CAC}$		13		15	ns
$t_{CAH}$	8		10		ns
$t_{CAS}$	8	10,000	10	10,000	ns
$t_{CLZ}$	0		0		ns
$t_{CP}$	8		10		ns
$t_{CRP}$	5		5		ns
$t_{CSH}$	38		45		ns

SYMBOL	-5		-6		UNITS
	MIN	MAX	MIN	MAX	
$t_{OD}$	0	12	0	15	ns
$t_{OE}$		12		15	ns
$t_{RAC}$		50		60	ns
$t_{RAD}$	9		12		ns
$t_{RAH}$	9		10		ns
$t_{RCD}$	11		14		ns
$t_{RCH}$	0		0		ns
$t_{RCS}$	0		0		ns
$t_{WHZ}$		12		15	ns
$t_{WPZ}$	10		10		ns

### RAS#-ONLY REFRESH CYCLE



### CBR REFRESH CYCLE (Addresses, OE# = DON'T CARE)

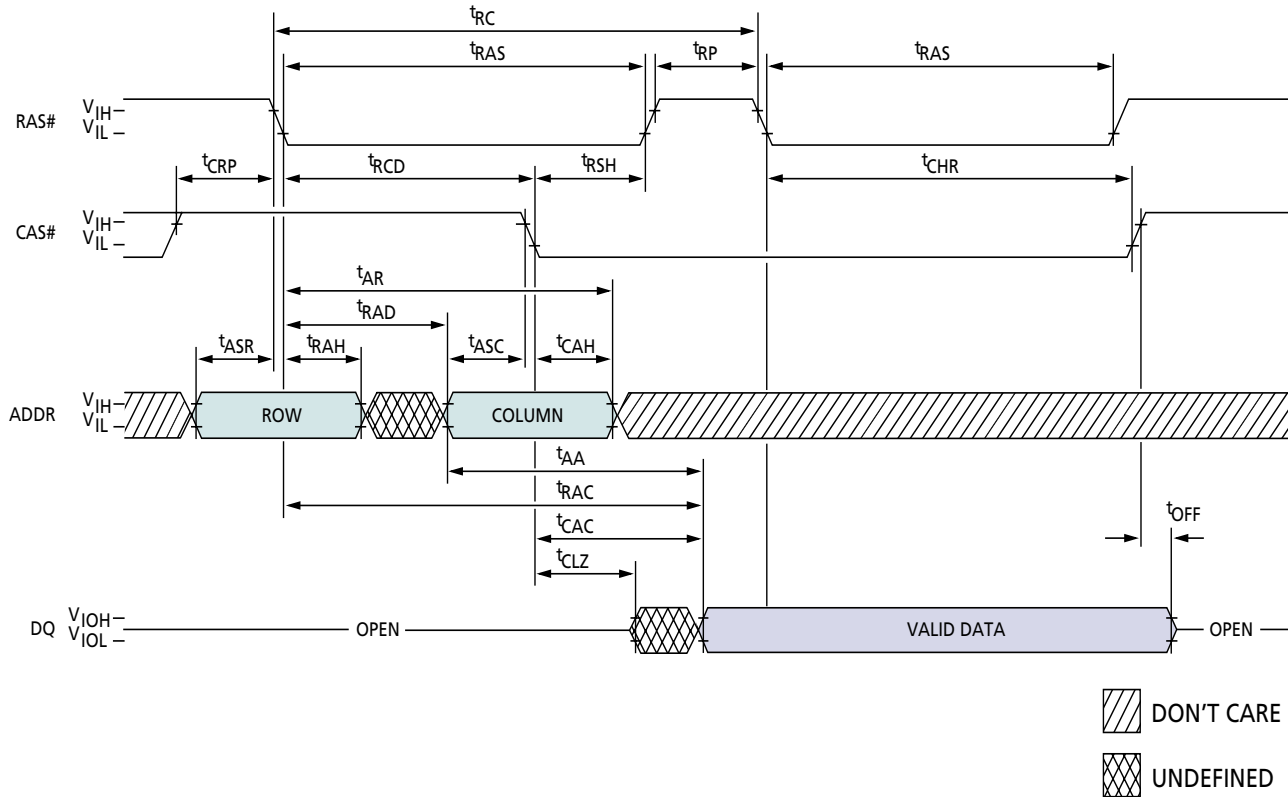


DON'T CARE  
 UNDEFINED

### TIMING PARAMETERS

SYMBOL	-5		-6		UNITS
	MIN	MAX	MIN	MAX	
t <sub>ASR</sub>	0		0		ns
t <sub>CHR</sub>	8		10		ns
t <sub>CP</sub>	8		10		ns
t <sub>CRP</sub>	5		5		ns
t <sub>CSR</sub>	5		5		ns
t <sub>RAH</sub>	9		10		ns

SYMBOL	-5		-6		UNITS
	MIN	MAX	MIN	MAX	
t <sub>RAS</sub>	50	10,000	60	10,000	ns
t <sub>RC</sub>	84		104		ns
t <sub>RP</sub>	30		40		ns
t <sub>RPC</sub>	5		5		ns
t <sub>WRH</sub>	8		10		ns
t <sub>WRP</sub>	8		10		ns

**HIDDEN REFRESH CYCLE<sup>20</sup>**  
**(WE# = HIGH; OE# = LOW)**


DON'T CARE  
 UNDEFINED

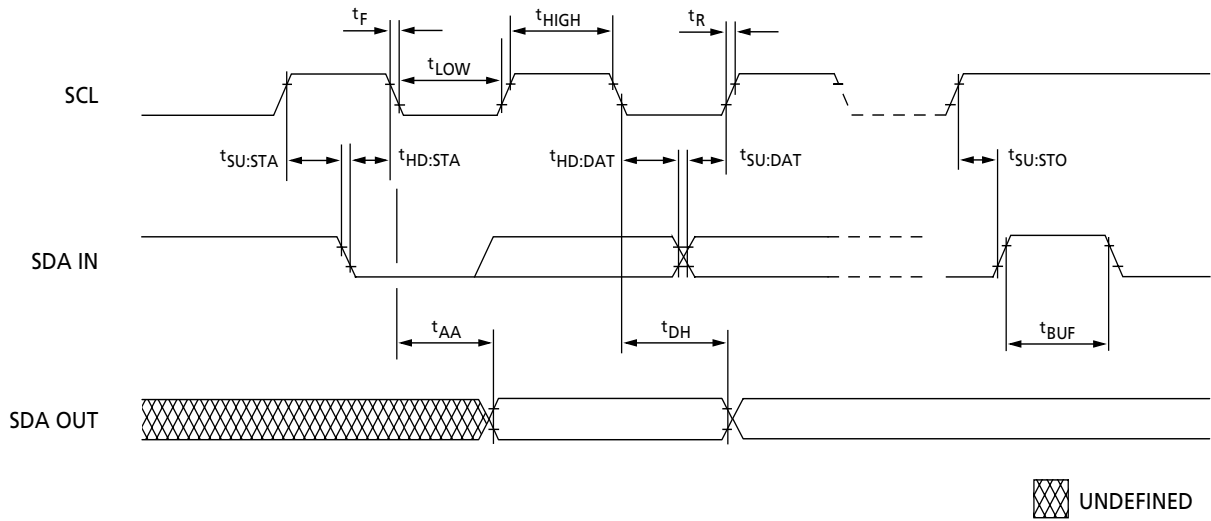
**TIMING PARAMETERS**

SYMBOL	-5		-6		UNITS
	MIN	MAX	MIN	MAX	
$t_{AA}$		25		30	ns
$t_{AR}$	38		45		ns
$t_{ASC}$	0		0		ns
$t_{ASR}$	0		0		ns
$t_{CAC}$		13		15	ns
$t_{CAH}$	8		10		ns
$t_{CHR}$	8		10		ns
$t_{CLZ}$	0		0		ns
$t_{CRP}$	5		5		ns
$t_{OD}$	0	12	0	15	ns
$t_{OE}$		12		15	ns

SYMBOL	-5		-6		UNITS
	MIN	MAX	MIN	MAX	
$t_{OFF}$	0	12	0	15	ns
$t_{ORD}$	0		0		ns
$t_{RAC}$		50		60	ns
$t_{RAD}$	9		12		ns
$t_{RAH}$	9		10		ns
$t_{RAS}$	50	10,000	60	10,000	ns
$t_{RC}$	84		104		ns
$t_{RCD}$	11		14		ns
$t_{RP}$	30		40		ns
$t_{RSH}$	13		15		ns



SPD EEPROM

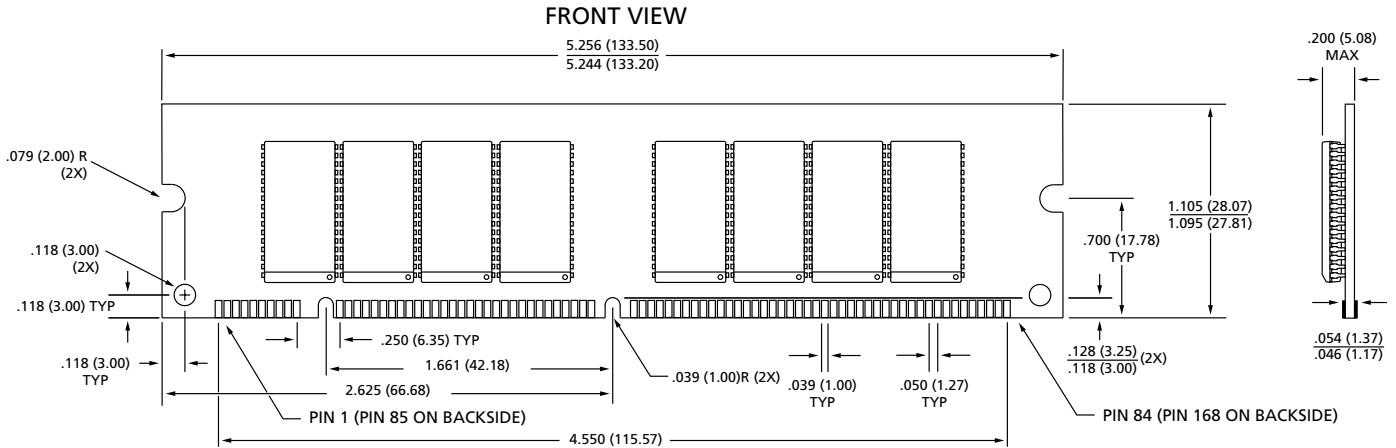


SERIAL PRESENCE-DETECT EEPROM  
TIMING PARAMETERS

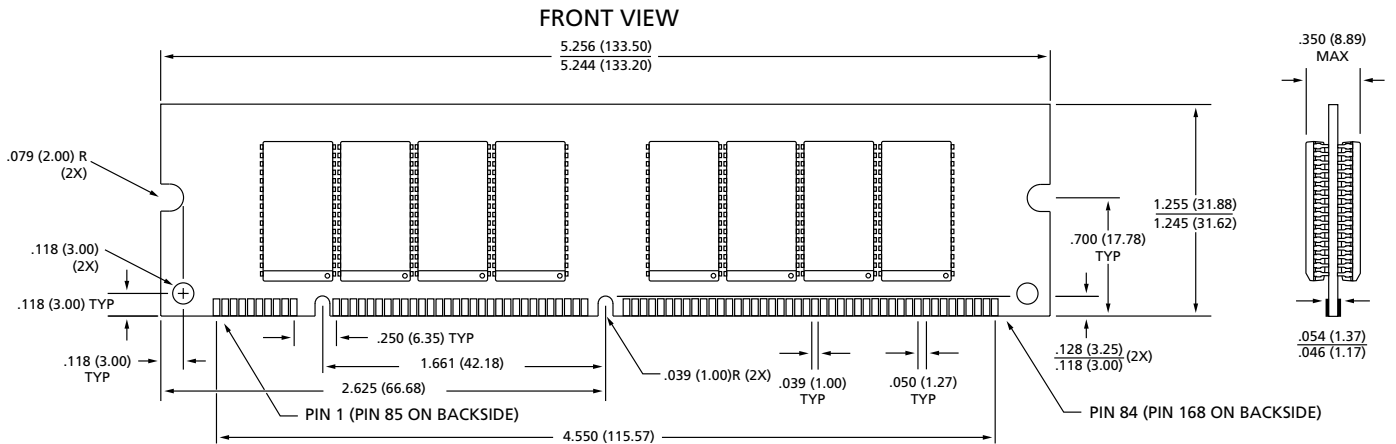
SYMBOL	MIN	MAX	UNITS
$t_{AA}$	0.3	3.5	$\mu s$
$t_{BUF}$	4.7		$\mu s$
$t_{DH}$	300		ns
$t_F$		300	ns
$t_{HD:DAT}$	0		$\mu s$
$t_{HD:STA}$	4		$\mu s$

SYMBOL	MIN	MAX	UNITS
$t_{HIGH}$	4		$\mu s$
$t_{LOW}$	4.7		$\mu s$
$t_R$		1	$\mu s$
$t_{SU:DAT}$	250		ns
$t_{SU:STA}$	4.7		$\mu s$
$t_{SU:STO}$	4.7		$\mu s$

**168-PIN DIMM  
DF-16 (64MB)**

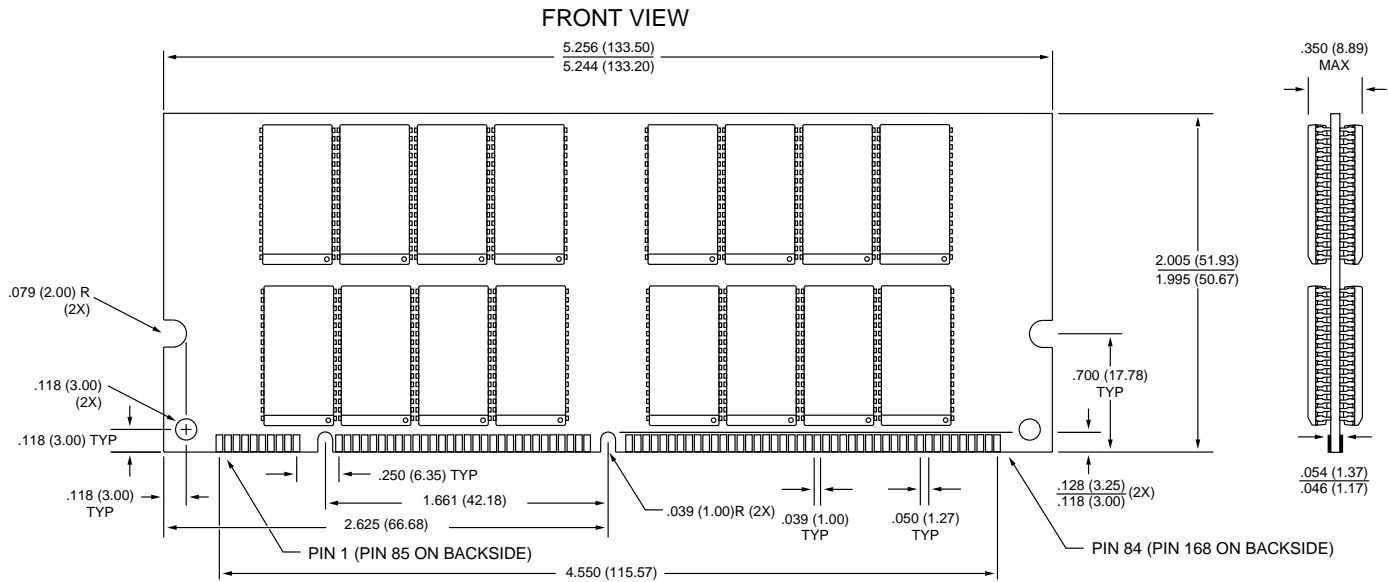


**168-PIN DIMM  
DF-27 (128MB)**



**NOTE:** All dimensions in inches (millimeters)  $\frac{\text{MAX}}{\text{MIN}}$  or typical where noted.

168-PIN DIMM  
DF-41 (256MB)



**NOTE:** All dimensions in inches (millimeters)  $\frac{\text{MAX}}{\text{MIN}}$  or typical where noted.



8000 S. Federal Way, P.O. Box 6, Boise, ID 83707-0006, Tel: 208-368-3900  
E-mail: [prodmktg@micronsemi.com](mailto:prodmktg@micronsemi.com), Internet: <http://www.micronsemi.com>, Customer Comment Line: 800-932-4992  
Micron is a registered trademark of Micron Technology, Inc.