

HeNe Laser Power Supply

LP6 Series

The LP6 series of power supplies is designed for critical Helium Neon laser applications.

Standard features include short circuit protection, 75% or higher efficiency, and excellent regulation.

The LPS is especially suitable for precision applications where low ripple is essential.

Rugged and light weight, the LPS series is extremely reliable.



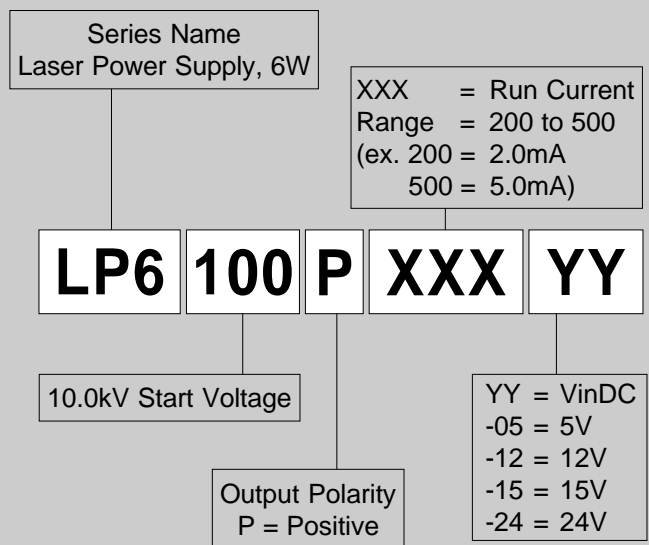
Features

- Low ripple current
- High efficiency
- Excellent load & line regulation
- Short circuit protection

SPECIFICATIONS

Electrical	LP6100P Series
Input Voltage:	5, 12, 15, or 24V DC
Start Voltage:	> 10KV
Run Current:	2.0 to 5.0 mA
Run Voltage:	1000-1750VDC
Current Ripple:	< 0.1%rms
Current Regulation:	+/- 0.1mA
Efficiency	>= 75%
Power	6W
Input/Output	
• Input Connector	Molex 09-50-7031
• Output Lead	#22AWG, 20KV, PVC Wire
• Output Connector	Optional, Contact Factory
Environmental	
• Storage Temperature	-40°C to +75°C
• Operating Temperature	-5°C to +60°C

Complete Part Number Specification



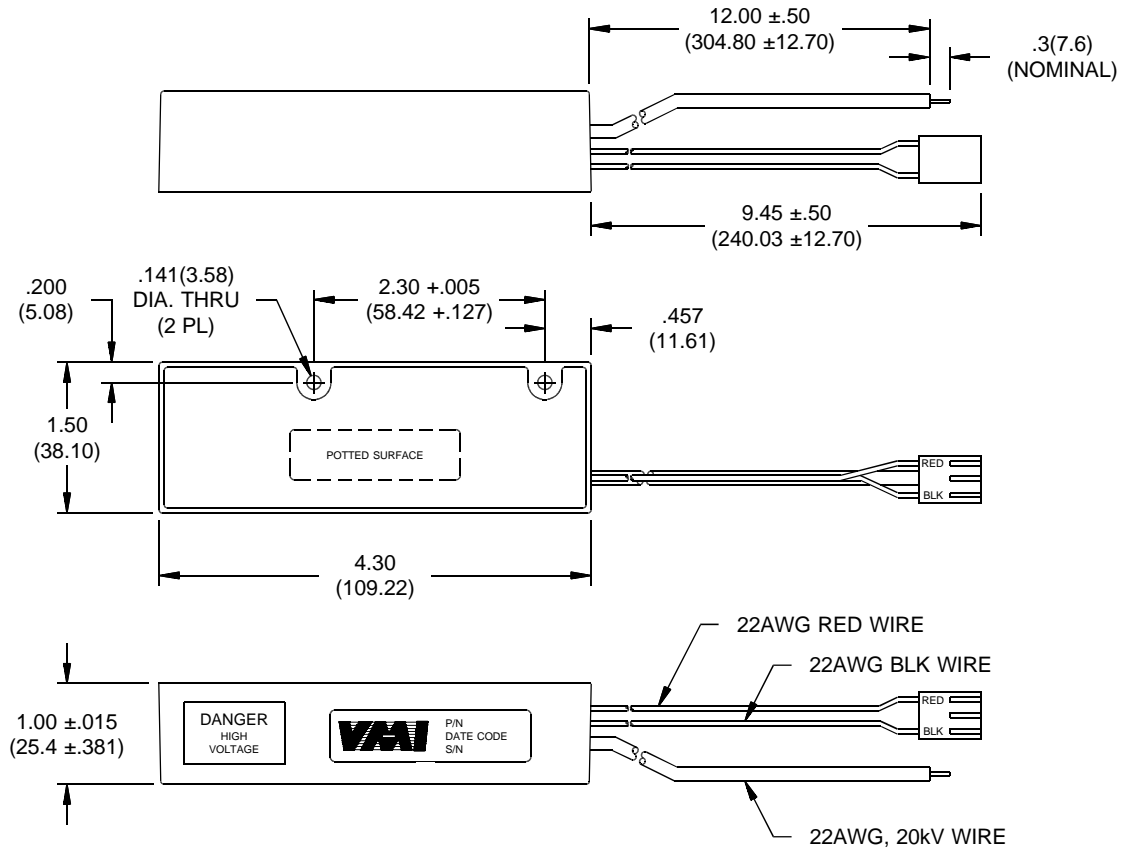
Dimensions: In. (mm) • Data subject to change without notice.



VOLTAGE MULTIPLIERS INC.
8711 W. Roosevelt Ave.
Visalia, CA 93291

TEL 559-651-1402
FAX 559-651-0740
www.voltagemultipliers.com

LP6 Series



Input	Nominal $V_{IN DC}$	Range
RED	+5V	4.75V TO 6.0V
	+12V	10.8V TO 13.2V
	+15V	13.5V TO 16.5V
	+24V	21.6V TO 26.4V
BLACK	GND	—