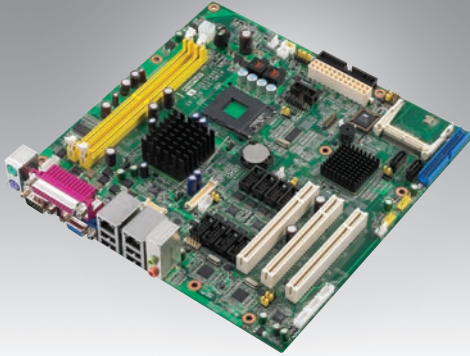


AIMB-552

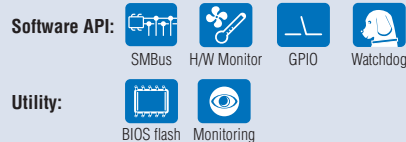
Socket 479 Intel® Pentium® M/Celeron® M
MicroATX, VGA/LVDS, 10 COM, & Dual LAN

NEW



Features

- Intel® 910GML/915GME chipset supporting 400/533 MHz FSB processor
- Dual channel DDR2 400/533 SDRAM up to 2 GB
- Supports dual display for VGA, LVDS, and DVI (optional)
- Supports 10 serial ports, 8 USB, 2 SATA ports, 2 LAN and CF
- Supports Embedded Software API and Utility

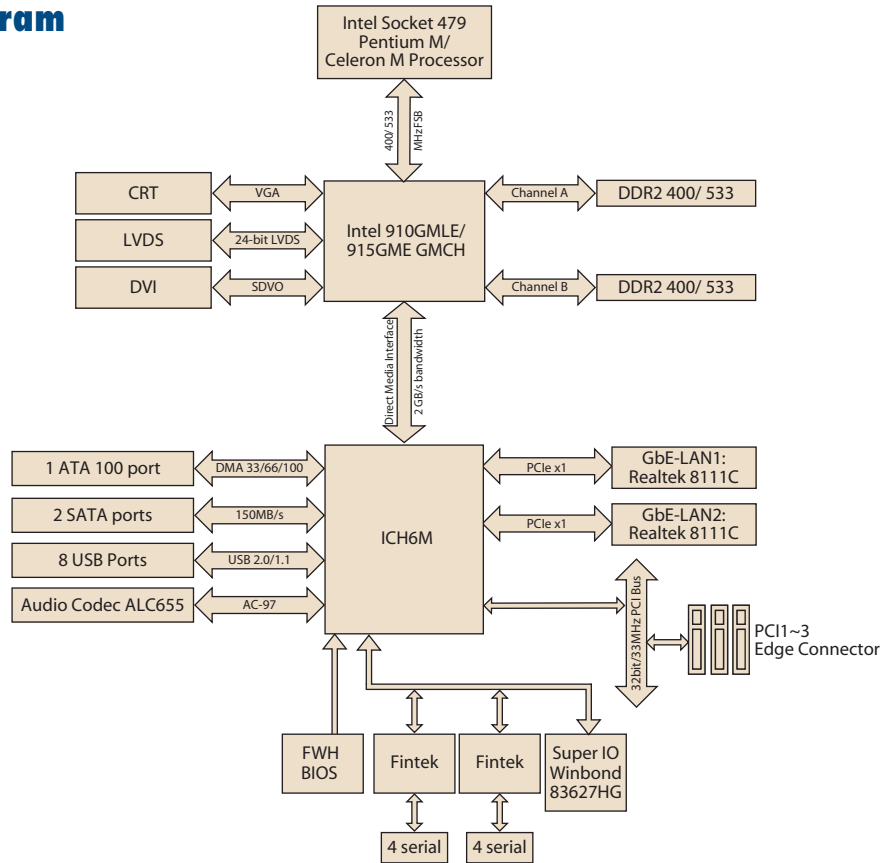


Specifications

Processor System	CPU (90 nm/130 nm)	Intel Pentium M	Intel Celeron M	Intel ULV Celeron M
	Max. Speed	760 2.0 GHz	370 1.5 GHz	1 GHz on board
	Front Side Bus	533 MHz	400 MHz	400 MHz
	L2 Cache	2 MB	1 MB	0 KB
	Chipset	Intel 915GME/910GML + ICH6M		
	BIOS	Award 4 Mbit, FWH		
Expansion Slot	PCI	32-bit/33 MHz, 3 slots		
Memory	Technology	Dual channel DDR2 400/533 SDRAM		
	Max. Capacity	2 GB		
	Socket	2 x 240-pin DIMM		
Graphics	Embedded	Intel GMA 900 sharing 128 MB system memory		
	LVDS	Single channel 24-bit/dual channel 48-bit LVDS		
	DVI	Chrontel 7307C SDVO Transmitter (optional)		
	Dual display	CRT + LVDS, CRT + DVI, LVDS + DVI		
Ethernet	Interface	10/100/1000 Mbps		
	Controller	GbE LAN1: Realtek RTL8111C, GbE LAN2: Realtek RTL8111C		
	Connector	RJ-45 x 2		
SATA	Max. Data Transfer Rate	150 MB/s		
	Channel	2		
EIDE	Mode	ATA 100/66/33		
	Channels	1 (max. two devices)		
SSD	CompactFlash	CompactFlash Type I/II		
I/O Interface	VGA	1		
	LVDS	1		
	DVI	1 (optional)		
	LAN	2		
	USB	8		
	Audio	2 (Line-out, Mic-in)		
	Serial	10 (2 of RS-232/422/485)		
	Parallel	1 (SPP/EPP/ECP)		
	FDD	1		
	PS/2	2 (1 x keyboard and 1 x mouse)		
Watchdog Timer	Output	System reset		
	Interval	Programmable 1 ~ 255 sec/min		
Power Requirement	Power On	Pentium 2.0 GHz PGA (FSB 533), 1GB DDR2 667	Celeron M 1.0GHz BGA (FSB 400), 1 GB DDR2 533	
		+5 V +3.3 V +12 V	+5 V +3.3 V +12 V	
		2.62 A 0.55 A 1.84 A	3.17 A 0.403 A 0.527 A	
Environment	Temperature	Operating		Non-Operating
		0 ~ 60° C (32 ~ 140° F)		-20 ~ 70° C (-4~150° F)
Physical Characteristics	Dimensions (W x D)	244 mm x 244 mm (9.6" x 9.6")		

* Intel 910GML only supports FSB 400 processor and DDR2 400 SDRAM

Board Diagram



Ordering Information

Part Number	On board processor	Chipset	DDR2	Display	GbE
AIMB-552G2-S0A1E	Celeron 1 GHz	910GML	400	VGA/LVDS	2
AIMB-552G2-00A1E	-	915GME	400/533	VGA/LVDS/DVI	2

*AIMB-552 cannot be installed in ACP-2000MB chassis

Riser Card

Part Number	Description
AIMB-RP10P-01A1E	1U riser card for 1 PCI expansion
AIMB-RP30P-03A1E	2U riser card for 3 PCI expansion

Bracket View



AIMB-552G2-00A1E
AIMB-552G2-S0A1E

Packing List

Part Number	Description	Quantity
1700340640	FDD cable	x 1
1701400452	IDE HDD cable	x 1
1700003194	Serial ATA HDD data cable	x 2
1703150102	Serial ATA HDD power cable	x 2
1701100300	COM port cable kit	x 5
9689000068	Jumper pack	x 1
1960012532T000	I/O bracket	x 1
-	Startup manual	x 1
-	Utility CD	x 1
1750000348	CPU cooler for AIMB-552G2-00A1E	x 1
1960017368T000	Passive heatsink for AIMB-552G2-S0A1E	x 1

Accessories

Part Number	Description
1700002314	USB cable with four ports, 30.5cm
1700002204	USB cable with dual ports, 27cm
1700003195	USB cable with dual ports, 17.5cm
1700000821	DVI cables

Value-Added Software Services

Software API: An interface that defines the ways by which an application program may request services from libraries and/or operating systems. Provides not only the underlying drivers required but also a rich set of user-friendly, intelligent and integrated interfaces, which speeds development, enhances security and offers add-on value for Advantech platforms. It plays the role of catalyst between developer and solution, and makes Advantech embedded platforms easier and simpler to adopt and operate with customer applications.

Software API

Control



GPIO

General Purpose Input/Output is a flexible parallel interface that allows a variety of custom connections. allows users to monitor the level of signal input or set the output status to switch on/off the device. Our API also provide Programmable GPIO, allows developers to dynamically set the GPIO input or output status



SMBus

SMBus is the System Management Bus defined by Intel® Corporation in 1995. It is used in personal computers and servers for low-speed system management communications. The SMBus API allows a developer to interface a embedded system environment and transfer serial messages using the SMBus protocols, allowing multiple simultaneous device control.



I2C

I2C is a bi-directional two wire bus that was developed by Philips for use in their televisions in the 1980s. The I2C API allows a developer to interface a embedded system environment and transfer serial messages using the I2C protocols, allowing multiple simultaneous device control.

Display



Brightness Control

The Brightness Control API allows a developer to interface Embedded device to easily control brightness.



Backlight

The Backlight API allows a developer to control the backlight (screen) on/off in Embedded Device.

Monitor



Watchdog

A watchdog timer (WDT) is a device that performs a specific operation after a certain period of time if something goes wrong and the system does not recover on its own. A watchdog timer can be programmed to perform a warm boot (restarting the system) after a certain number of seconds.



Hardware Monitor

The Hardware Monitor (HWM) API is a system health supervision API that inspects certain condition indexes, such as fan speed, temperature and voltage.



Hardware Control

The Hardware Control API allows developers to set the PWM (Pulse Width Modulation) value to adjust Fan Speed or other devices; can also be used to adjust the LCD brightness.

Power Saving



CPU Speed

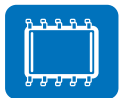
Make use of Intel SpeedStep technology to save the power consumption. The system will automatically adjust the CPU Speed depend on the system loading.



System Throttling

Refers to a series of methods for reducing power consumption in computers by lowering the clock frequency. These API allow user to lower the clock from 87.5% to 12.5%.

Software Utility



BIOS Flash

The BIOS Flash utility allows customers to update the flash ROM BIOS version, or use it to back up current BIOS by copying it from the flash chip to a file on customers' disk. The BIOS Flash utility also provides a command line version and API for fast implementation into customized applications.



Embedded Security ID

The embedded application is the most important property of a system integrator. It contains valuable intellectual property, design knowledge and innovation, but it is easy to be copied! Embedded Security ID utility which provides reliable security functions for customers to secure their application data within embedded BIOS.



Monitoring

The Monitoring is a utility for customer to monitor the system health, like Voltage, CPU and System temperature and FAN speed. These items are important to a device, if the critical errors happen and not be solved immediately, a permanent damage may be caused.



eSOS

The eSOS is a small OS stored in BIOS ROM. It will boot up in case of main OS crash. It will diagnose the hardware status, and then send an e-mail to administrator. The eSOS also provide Remote Connection: Telnet server and FTP server for administrator to rescue the system.



Flash Lock

Flash Lock is a mechanism to bind the Board and CF card (SQFlash) together. User can "Lock" SQFlash via Flash Lock function and "Unlock" by BIOS while booting. A locked SQFlash cannot be read by any card reader or boot from other platforms without a BIOS with "Unlock" feature.