

## ▼ Interconnects

### ◦ Other Tools

- Find Products
- New Products
- Product Status Changes
- Contact Information
- Industry Solutions
- What's New

### Product search



### 3M™ Interconnect Solutions Product Catalog

#### 3M™ Interconnect by Type

- Board to Wire Connectors

- Wiremount Socket Connectors

- 3M™ .100" x .100" Wiremount Socket, 79

- 3435-0

- 3448-7964

- 7920-6500EC (INTERNAL)

- 7926-6000FL (INTERNAL)

- 7930-6500EL (INTERNAL)

- 7940-6500SC (INTERNAL)

- 7950-6500SC (INTERNAL)

- 7950-6700EC (INTERNAL)

- 7960-6500EC (INTERNAL)

- 7964-6500

- 7964-6500EC**

- 7964-6564EC

## 7964-6500EC

**64 Position, .100" IDC Flat Cable Socket, Center Bump Polarized Cover, Plastic Latches, Be Cu Contact, 30u" Gold Plating**

GTIN(UPC|EAN) : 0 49 01690 08851 3

3M Id : JE-1501-7838-0

### ADDITIONAL INFORMATION

7964-6500EC 64/SKT/PL

[Learn More . . .](#)

CLIP/HCB/OP/30MIN

[Packaging Data](#)

### CHARACTERISTICS

<b>Conductor Accommodation</b>	26 & 28 AWG Solid or Stranded
<b>Connector Cover Style</b>	MetalClip Separate OpenEnds Si
<b>Contact Material</b>	Copper Alloy
<b>Contact Termination Area Plating</b>	None
<b>Contact Underplating</b>	100 μ" [2.54 μm] Nickel
<b>Contact Wiping Area Plating</b>	30 μ" [0.76 μm] Gold
<b>Current Rating</b>	1 Ampere
<b>Insulation Color</b>	Gray
<b>Insulation Flammability Rating</b>	UL 94V-0
<b>Insulation Material</b>	Glass Filled Polyester (PBT)
<b>Insulation Resistance</b>	>1 X 10 <sup>9</sup> Ohms @ 500 Vdc
<b>Interface Grid</b>	.100" x .100"
<b>Interface Style</b>	Rectangular Socket
<b>Markings</b>	3M Logo, Part Identification Nun Orientation Triangle
<b>Non-Operating Temperature</b>	-55 to 105 Degree Celsius
<b>Number of Contact Rows</b>	2
<b>Number of Contacts</b>	64
<b>Pitch</b>	.050 Inch
<b>Polarization</b>	1 Half-Height Bump
<b>Separable</b>	Yes
<b>Strain Relief Type</b>	None
<b>Termination Method</b>	Insulation Displacement
<b>Termination Style</b>	Multiple Wires
<b>Withstanding Voltage</b>	1000 Vrms at Sea Level

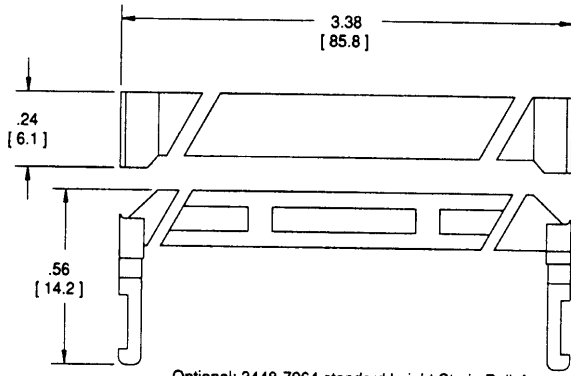
# .100" x .100" Wiremount Socket

.050" Pitch Cable, 64 Position (Optional Plastic Strain Relief)

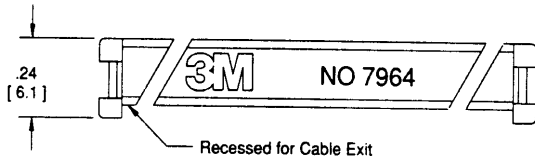
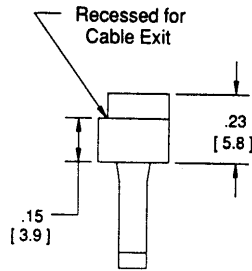
727-945

Sheet 2 of 3

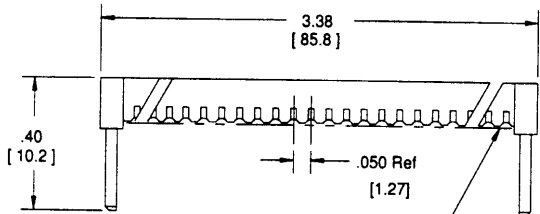
TS-0094-05



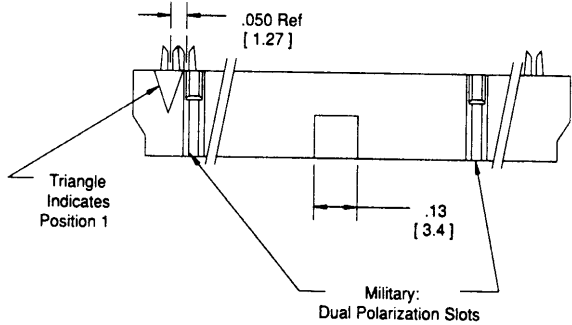
Optional: 3448-7964 standard height Strain Relief



Recessed for Cable Exit

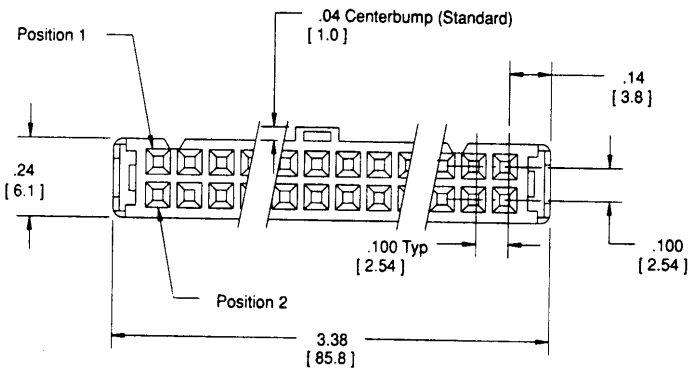
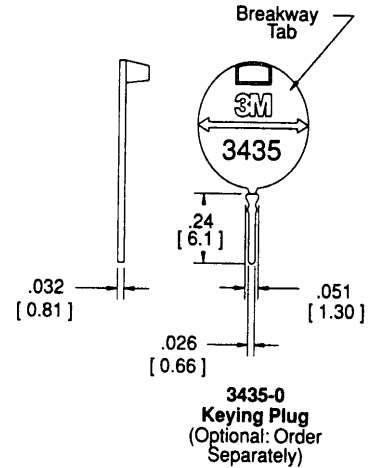
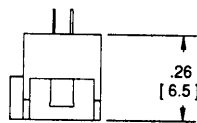
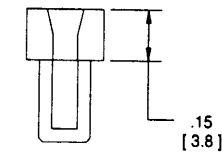


Nonconductive Transfer Adhesive with Liner



Triangle Indicates Position 1

Military: Dual Polarization Slots



Inch [mm]			
Tolerance Unless Noted			
	.0	.00	.000
Inch	±.1	±.01	±.005

[ ] Dimensions for Reference Only

## Ordering Information

Note:  
Military qualified version available.  
Please contact 3M for specifications.

Socket  
7964-6500EC

Strain Relief  
(Order Separately)  
3448-7964

## 3M Electronic Products Division

6801 River Place Blvd.  
Austin, TX 78726-9000