

NEC

User's Manual

IE-789026-NS-EM1

Emulation Board

Target devices
μPD789026 Subseries

Document No. U14362EJ2V1UM00 (2nd edition)
Date Published June 2002 N CP(K)

© NEC Corporation 1999
Printed in Japan

[MEMO]

Windows is either a registered trademark or a trademark of Microsoft Corporation in the United States and/or other countries.

PC/AT is a trademark of International Business Machines Corporation.

- **The information in this document is current as of May, 2002. The information is subject to change without notice. For actual design-in, refer to the latest publications of NEC's data sheets or data books, etc., for the most up-to-date specifications of NEC semiconductor products. Not all products and/or types are available in every country. Please check with an NEC sales representative for availability and additional information.**

- No part of this document may be copied or reproduced in any form or by any means without prior written consent of NEC. NEC assumes no responsibility for any errors that may appear in this document.

- NEC does not assume any liability for infringement of patents, copyrights or other intellectual property rights of third parties by or arising from the use of NEC semiconductor products listed in this document or any other liability arising from the use of such products. No license, express, implied or otherwise, is granted under any patents, copyrights or other intellectual property rights of NEC or others.

- Descriptions of circuits, software and other related information in this document are provided for illustrative purposes in semiconductor product operation and application examples. The incorporation of these circuits, software and information in the design of customer's equipment shall be done under the full responsibility of customer. NEC assumes no responsibility for any losses incurred by customers or third parties arising from the use of these circuits, software and information.

- While NEC endeavours to enhance the quality, reliability and safety of NEC semiconductor products, customers agree and acknowledge that the possibility of defects thereof cannot be eliminated entirely. To minimize risks of damage to property or injury (including death) to persons arising from defects in NEC semiconductor products, customers must incorporate sufficient safety measures in their design, such as redundancy, fire-containment, and anti-failure features.

- NEC semiconductor products are classified into the following three quality grades: "Standard", "Special" and "Specific". The "Specific" quality grade applies only to semiconductor products developed based on a customer-designated "quality assurance program" for a specific application. The recommended applications of a semiconductor product depend on its quality grade, as indicated below. Customers must check the quality grade of each semiconductor product before using it in a particular application.

"Standard": Computers, office equipment, communications equipment, test and measurement equipment, audio and visual equipment, home electronic appliances, machine tools, personal electronic equipment and industrial robots

"Special": Transportation equipment (automobiles, trains, ships, etc.), traffic control systems, anti-disaster systems, anti-crime systems, safety equipment and medical equipment (not specifically designed for life support)

"Specific": Aircraft, aerospace equipment, submersible repeaters, nuclear reactor control systems, life support systems and medical equipment for life support, etc.

The quality grade of NEC semiconductor products is "Standard" unless otherwise expressly specified in NEC's data sheets or data books, etc. If customers wish to use NEC semiconductor products in applications not intended by NEC, they must contact an NEC sales representative in advance to determine NEC's willingness to support a given application.

(Note)

(1) "NEC" as used in this statement means NEC Corporation and also includes its majority-owned subsidiaries.

(2) "NEC semiconductor products" means any semiconductor product developed or manufactured by or for NEC (as defined above).

M8E 00.4

Regional Information

Some information contained in this document may vary from country to country. Before using any NEC product in your application, please contact the NEC office in your country to obtain a list of authorized representatives and distributors. They will verify:

- Device availability
- Ordering information
- Product release schedule
- Availability of related technical literature
- Development environment specifications (for example, specifications for third-party tools and components, host computers, power plugs, AC supply voltages, and so forth)
- Network requirements

In addition, trademarks, registered trademarks, export restrictions, and other legal issues may also vary from country to country.

NEC Electronics Inc. (U.S.)

Santa Clara, California
Tel: 408-588-6000
800-366-9782
Fax: 408-588-6130
800-729-9288

NEC do Brasil S.A.

Electron Devices Division
Guarulhos-SP, Brasil
Tel: 11-6462-6810
Fax: 11-6462-6829

NEC Electronics (Europe) GmbH

Duesseldorf, Germany
Tel: 0211-65 03 01
Fax: 0211-65 03 327

• **Sucursal en España**

Madrid, Spain
Tel: 091-504 27 87
Fax: 091-504 28 60

• **Succursale Française**

Vélizy-Villacoublay, France
Tel: 01-30-67 58 00
Fax: 01-30-67 58 99

• **Filiale Italiana**

Milano, Italy
Tel: 02-66 75 41
Fax: 02-66 75 42 99

• **Branch The Netherlands**

Eindhoven, The Netherlands
Tel: 040-244 58 45
Fax: 040-244 45 80

• **Branch Sweden**

Taeby, Sweden
Tel: 08-63 80 820
Fax: 08-63 80 388

• **United Kingdom Branch**

Milton Keynes, UK
Tel: 01908-691-133
Fax: 01908-670-290

NEC Electronics Hong Kong Ltd.

Hong Kong
Tel: 2886-9318
Fax: 2886-9022/9044

NEC Electronics Hong Kong Ltd.

Seoul Branch
Seoul, Korea
Tel: 02-528-0303
Fax: 02-528-4411

NEC Electronics Shanghai, Ltd.

Shanghai, P.R. China
Tel: 021-6841-1138
Fax: 021-6841-1137

NEC Electronics Taiwan Ltd.

Taipei, Taiwan
Tel: 02-2719-2377
Fax: 02-2719-5951

NEC Electronics Singapore Pte. Ltd.

Novena Square, Singapore
Tel: 253-8311
Fax: 250-3583

Major Revisions in This Edition

Page	Description
Throughout	<ul style="list-style-type: none"> • Addition of description of IE-78K0S-NS-A as supported in-circuit emulator • Addition of NP-H44GB-TQ and NP-H44GB-TQ as supported emulation probes • Deletion of NP-42CU from supported emulation probes
pp.12 and 13	<p>Figure 1-1 System Configuration</p> <ul style="list-style-type: none"> • Change of supply medium of debugger ID78K0S-NS to CD-ROM • Modification of Notes 1 to 3
p.15	Thorough modification of Table 1-1 Basic Specifications
pp.20 to 22	<p>3.2.1 Overview of clock settings</p> <ul style="list-style-type: none"> • Change of “internal clock” to “clock oscillator” • Figure 3-2 External Circuits Used as System Clock Oscillator Addition of V_{ss} pin to figure of (a) Clock oscillator • Figure 3-3 When Using Clock That Is Already Mounted on Emulation Board and Figure 3-4 When Using User-Mounted Clock Change of “resonator” in target system to “clock oscillator or external clock” • Change of “clock generator” to “external clock” in Figure 3-5 When Using an External Clock
p.29 in previous revision	Deletion of 3.4 Low-Voltage Emulation Setting
p.27	Addition of 3.3 Power Supply Voltage Setting of Target Interface
p.29	<p>3.5 Switch and Jumper Settings on IE-78K0S-NS or IE-78K0S-NS-A</p> <ul style="list-style-type: none"> • Addition of Caution • Addition of (2) Settings on the IE-78K0S-NS-A
p.35	Addition of APPENDIX B CAUTIONS ON DESIGNING TARGET SYSTEM

The mark ★ shows major revised points.

INTRODUCTION

Product Overview

The IE-789026-NS-EM1 is designed to be used with the IE-78K0S-NS or IE-78K0S-NS-A to debug the following target devices that belong to the 78K/0S Series of 8-bit single-chip microcontrollers.

- μ PD789026 Subseries: μ PD789022, 789024, 789025, 789026, 78F9026

Target Readers

This manual is intended for engineers who will use the IE-789026-NS-EM1 with the IE-78K0S-NS or IE-78K0S-NS-A to perform system debugging.

Engineers who use this manual are expected to be thoroughly familiar with the target device's functions and use methods and to be knowledgeable about debugging.

Organization

When using the IE-789026-NS-EM1, refer to not only this manual (supplied with the IE-789026-NS-EM1) but also the manual that is supplied with the IE-78K0S-NS or IE-78K0S-NS-A.

IE-78K0-NS
User's Manual

- Basic specifications
- System configuration
- External interface functions

IE-789026-NS-EM1
User's Manual

- General
- Part names
- Installation
- Differences between target devices and target interface circuits

IE-78K0S-NS-A
User's Manual

- Basic specifications
- System configuration
- External interface functions

Purpose

This manual's purpose is to explain various debugging functions that can be performed when using the IE-789026-NS-EM1.

Terminology

The meanings of certain terms used in this manual are listed below.

Term	Meaning
Emulation device	This is a general term that refers to the device in the emulator that is used to emulate the target device. It includes the emulation CPU.
Emulation CPU	This is the CPU block in the emulator that is used to execute user-generated programs.
Target device	This is the device to be emulated (real chip).
Target system	This includes the target program and the hardware provided by the user. When defined narrowly, it includes only the hardware.
IE system	This refers to the combination of the IE-78K0S-NS or IE-78K0S-NS-A and the IE-789026-NS-EM1.

Conventions

Data significance: Higher digits on the left and lower digits on the right

Note: Footnote for item marked with **Note** in the text

Caution: Information requiring particular attention

Remark: Supplementary information

Related Documents

The related documents (user's manuals) indicated in this publication may include preliminary versions. However, preliminary versions are not marked as such.

Document Name	Document Number
IE-78K0S-NS	U13549E
IE-78K0S-NS-A	U15207E
IE-789026-NS-EM1	This manual
ID78K0-NS, ID78K0S-NS Integrated Debugger Ver. 2.20 or Later Operation Windows™ Based	U14910E
μPD789026 Subseries	U11919E

Caution The documents listed above are subject to change without notice. Be sure to use the latest documents when designing.

CONTENTS

CHAPTER 1	GENERAL	11
1.1	System Configuration	12
1.2	Hardware Configuration	14
1.3	Basic Specifications	15
CHAPTER 2	PART NAMES	16
2.1	Parts of Main Unit	17
CHAPTER 3	INSTALLATION	18
3.1	Connection	19
3.2	Clock Settings	20
3.2.1	Overview of clock settings	20
3.2.2	Main system clock settings	22
* 3.3	Power Supply Voltage Setting of Target Interface	27
3.4	External Trigger	28
3.5	Switch and Jumper Settings on IE-78K0S-NS or IE-78K0S-NS-A	29
CHAPTER 4	DIFFERENCES BETWEEN TARGET DEVICE AND TARGET INTERFACE CIRCUIT	30
APPENDIX A	EMULATION PROBE PIN ASSIGNMENT TABLE	34
* APPENDIX B	CAUTIONS ON DESIGNING TARGET SYSTEM	35

LIST OF FIGURES

Figure No.	Title	Page
1-1	System Configuration	12
1-2	Basic Hardware Configuration.....	14
2-1	IE-789026-NS-EM1 Part Names	17
3-1	Connection of Emulation Probe.....	19
3-2	External Circuits Used as System Clock Oscillator	20
3-3	When Using Clock That Is Already Mounted on Emulation Board	21
3-4	When Using User-Mounted Clock	21
3-5	When Using an External Clock.....	22
3-6	Connections on Parts Board (When Using User-Mounted Clock).....	23
3-7	Crystal Oscillator (When Using User-Mounted Clock).....	25
3-8	Pin Alignment of Crystal Oscillator and Socket	25
3-9	Connection of TP1 and Power Supply Voltage of Target System	27
3-10	External Trigger Input Position	28
4-1	Equivalent Circuit 1 of Emulation Circuit	32
4-2	Equivalent Circuit 2 of Emulation Circuit	33
4-3	Equivalent Circuit 3 of Emulation Circuit	33
B-1	Distance Between In-Circuit Emulator and Conversion Socket/Conversion Adapter	35
B-2	Connection Condition of Target System (When NP-H44GB-TQ Is Used).....	36

LIST OF TABLES

Table No.	Title	Page
1-1	Basic Specifications.....	15
3-1	Main System Clock Settings	22
3-2	Switch and Jumper Settings on IE-78K0S-NS.....	29
3-3	Switch and Jumper Settings on IE-78K0S-NS-A	29
A-1	NP-44GB, NP-44GB-TQ, NP-H44GB-TQ Pin Assignments	34

CHAPTER 1 GENERAL

The IE-789026-NS-EM1 is a development tool for efficient debugging of hardware or software when using one of the following target devices that belong to the 78K/0S Series of 8-bit single-chip microcontrollers.

This chapter describes the IE-789026-NS-EM1's system configuration and basic specifications.

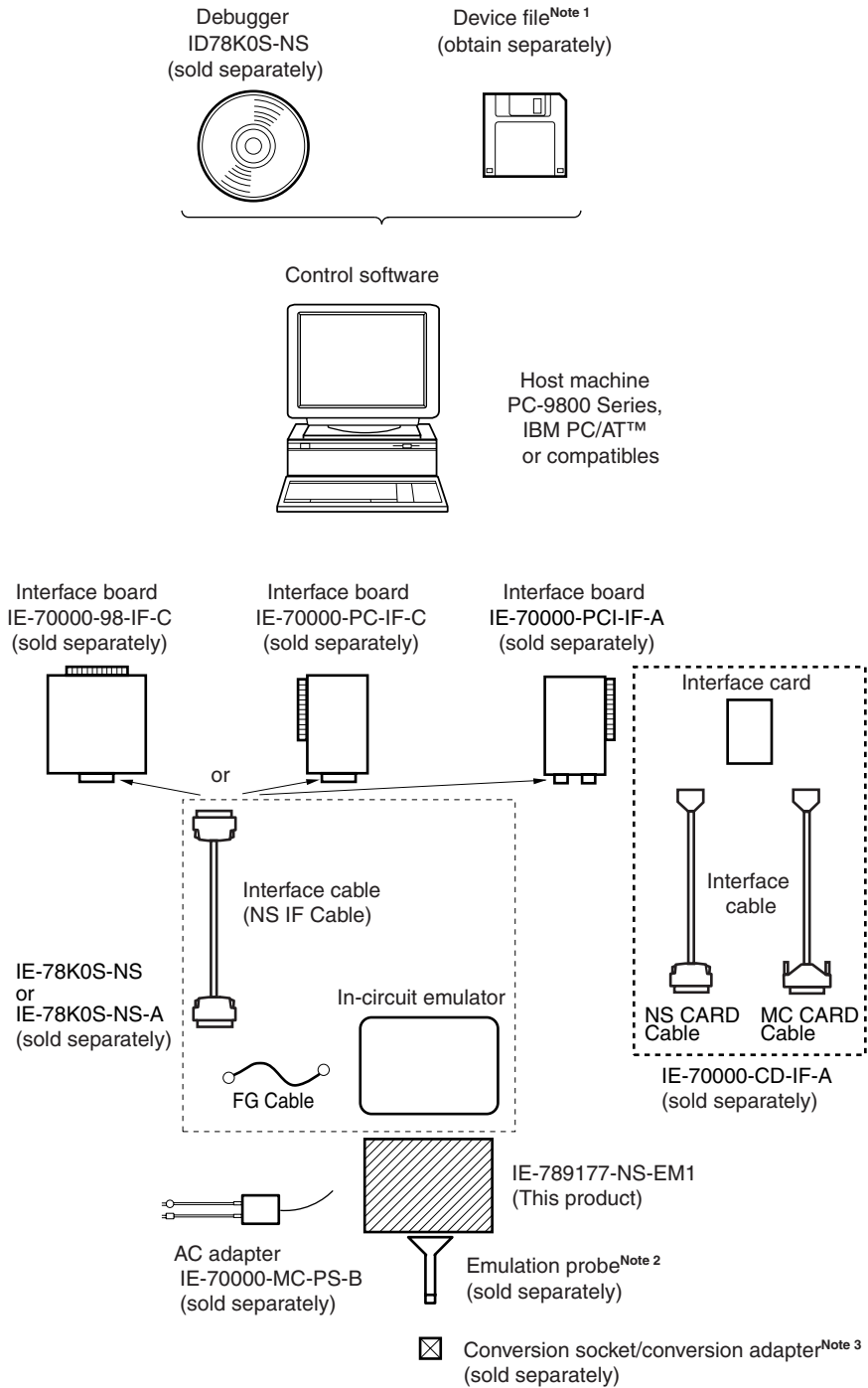
- Target devices
 - μ PD789026 Subseries

1.1 System Configuration

Figure 1-1 illustrates the IE-789026-NS-EM1's system configuration.

★

Figure 1-1. System Configuration



Notes 1. The device file is as follows, in accordance with the subseries.

μ SxxxxDF789026: μ PD789022, 789024, 789025, 789026, 78F9026A

Device files can be downloaded from the NEC Electron Devices Web site
(URL: <http://www.ic.nec.co.jp/micro>).

2. The emulation probe is as follows, in accordance with the package.

NP-44GB, NP-44GB-TQ, NP-H44GB-TQ: 44-pin plastic QFP (GB-8ES type)

The NP-44GB, NP-44GB-TQ, and NP-H44GB-TQ are products made by Naito Densai Machida Mfg. Co., Ltd.

For further information, contact Naito Densai Machida Mfg. Co., Ltd. (TEL: +81-45-475-4191)

3. The conversion socket and conversion adapter are as follows.

EV-9200G-44: 44-pin plastic QFP (GB-8ES type)

TGB044SAP: 44-pin plastic QFP (GB-8ES type)

TGB044SAP is a product of TOKYO ELETECH CORPORATION.

For further information, contact Daimaru Kogyo Co., Ltd.

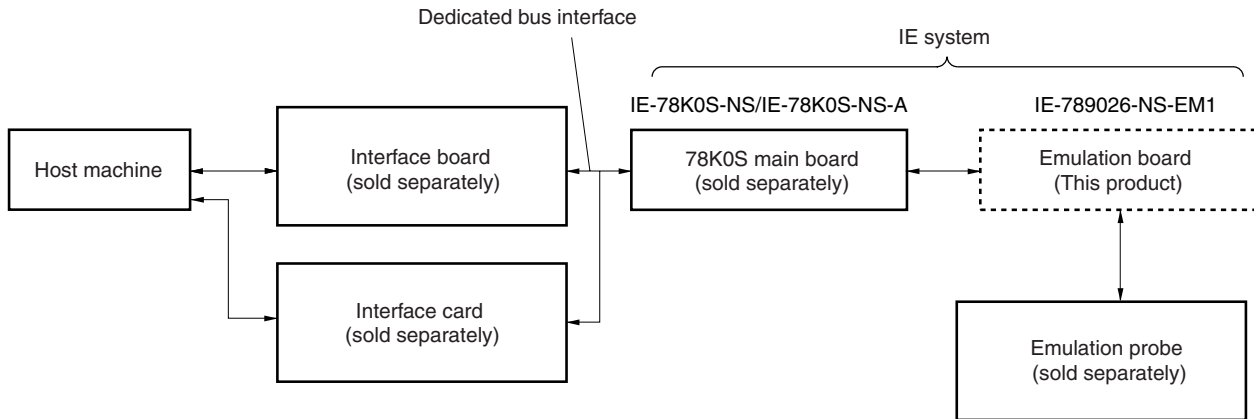
Tokyo Electronics Department: +81-3-3820-7112

Osaka Electronics Department: +81-6-6244-6672

1.2 Hardware Configuration

Figure 1-2 shows the IE-789026-NS-EM1's position in the basic hardware configuration.

Figure 1-2. Basic Hardware Configuration



1.3 Basic Specifications

The IE-789026-NS-EM1's basic specifications are listed in Table 1-1.

★

Table 1-1. Basic Specifications

Parameter	Description
Target device	μ PD789026 Subseries
System clock	Main system clock: 1.0 to 5.0 MHz
Main system clock supply	External: Input via an emulation probe from the target system Internal: Mounted on emulation board (5.0 MHz), or mounted on the board by the user
Target interface voltage	$V_{DD} = 1.8$ to 5.5 V (same as that of target device) Operates on internal power supply (5 V) when target system is not connected

CHAPTER 2 PART NAMES

This chapter introduces the parts of the IE-789026-NS-EM1 main unit.

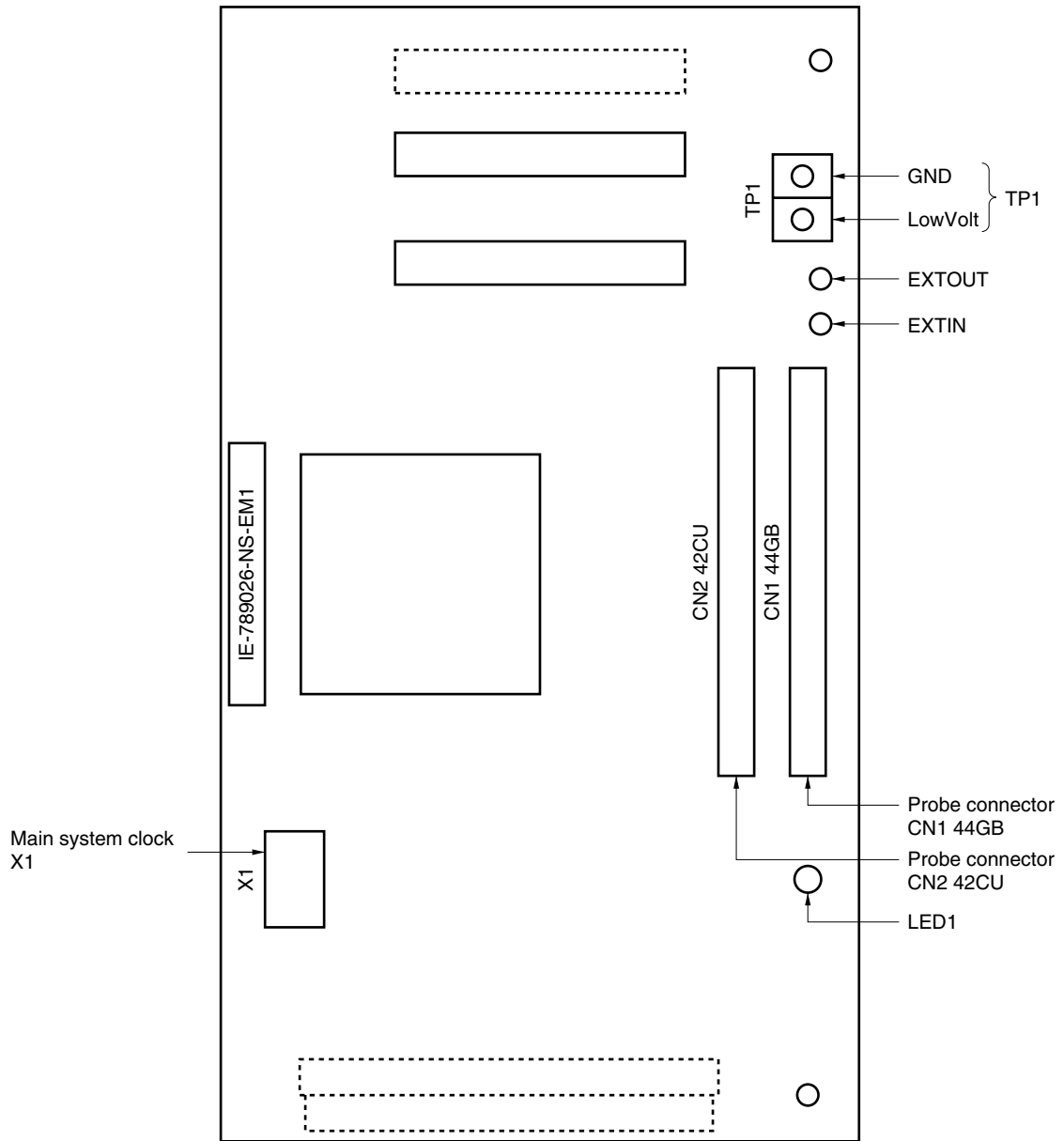
The packing box contains the emulation board (IE-789026-NS-EM1), packing list, user's manual, and guarantee card.

If there are any missing or damaged items, please contact an NEC sales representative.

Fill out and return the guarantee card that comes with the main unit.

2.1 Parts of Main Unit

Figure 2-1. IE-789026-NS-EM1 Part Names



CHAPTER 3 INSTALLATION

This chapter describes methods for connecting the IE-789026-NS-EM1 to the IE-78K0S-NS or IE-78K0S-NS-A, emulation probe, etc. Mode setting methods are also described.

Caution Connecting or removing components to or from the target system, or making switch or other setting changes must be carried out after the power supply to both the IE system and the target system has been switched OFF.

3.1 Connection

(1) Connection with IE-78K0S-NS or IE-78K0S-NS-A main unit

See the **IE-78K0S-NS User's Manual (U13549E)** for a description of how to connect the IE-789026-NS-EM1 to the IE-78K0S-NS^{Note}.

Note When using the IE-78K0S-NS-A, see the **IE-78K0S-NS-A User's Manual (U15207E)**.

(2) Connection with emulation probe

See the **IE-78K0S-NS User's Manual (U13549E)** for a description of how to connect an emulation probe to the IE-789026-NS-EM1^{Note}.

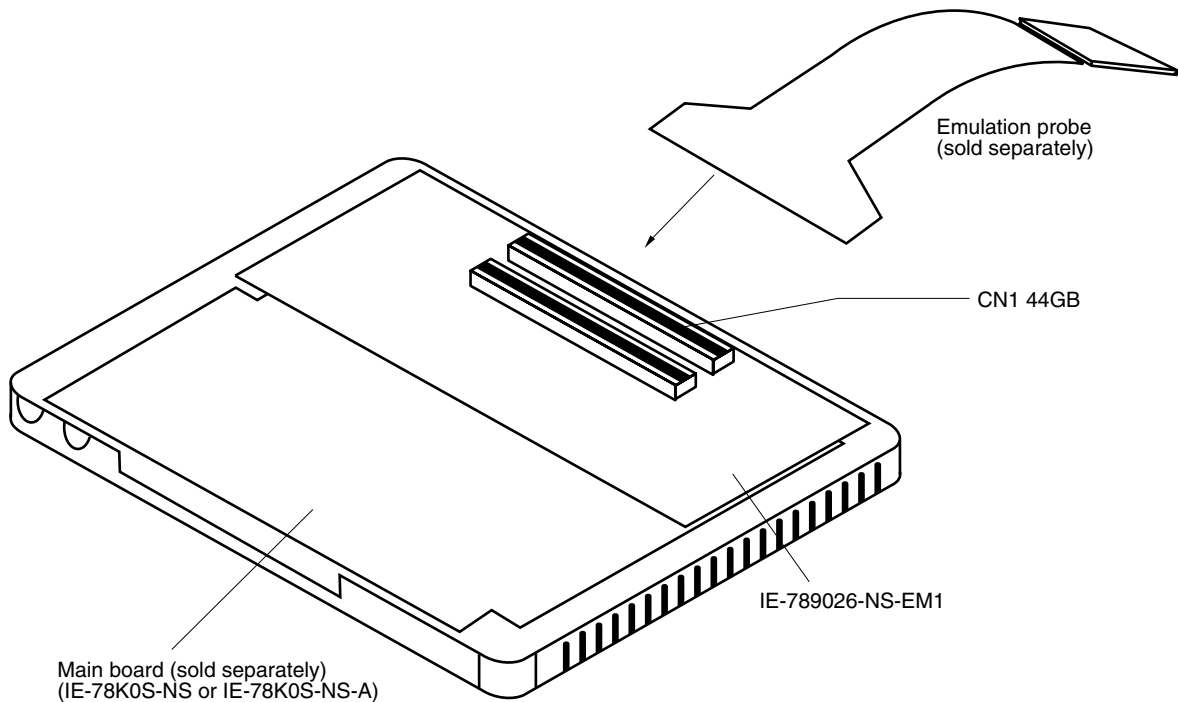
On this board, connect NP-44GB to CN1.

Note When using the IE-78K0S-NS-A, see the **IE-78K0S-NS-A User's Manual (U15207E)**.

Caution Incorrect connection may damage the IE system.

Be sure to read the emulation probe's user's manual for a detailed description of the connection method.

Figure 3-1. Connection of Emulation Probe



3.2 Clock Settings

3.2.1 Overview of clock settings

The main system clock to be used during debugging can be selected from (1) to (3) below.

- (1) Clock that is already mounted on emulation board
- (2) Clock that is mounted by user
- (3) Pulse input from target system

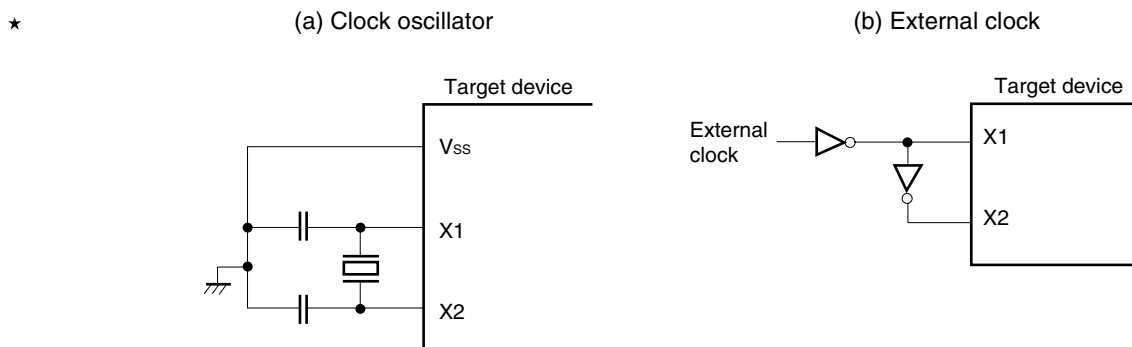
- ★ If the target system includes a clock oscillator, select either “(1) Clock that is already mounted on emulation board” or “(2) Clock that is mounted by user”. For the clock oscillator, a resonator is connected to the target device and the target device’s internal oscillator is used. An example of the external circuit is shown in part (a) of Figure 3-2. During emulation, the oscillator that is mounted on the target system is not used. Instead, the clock that is mounted on the emulation board installed in the IE-78K0S-NS or IE-78K0S-NS-A is used.

If the target system includes an external clock, select “(3) Pulse input from target system”.

For the external clock, a clock signal is supplied from outside of the target device and the target device’s internal oscillator is not used. An example of the external circuit is shown in part (b) of Figure 3-2.

Caution The IE system will be hung-up if the main system clock is not supplied normally. Moreover, be sure to input a rectangular wave as the clock from the target. There is no need to supply a clock to the X2 pin.

Figure 3-2. External Circuits Used as System Clock Oscillator

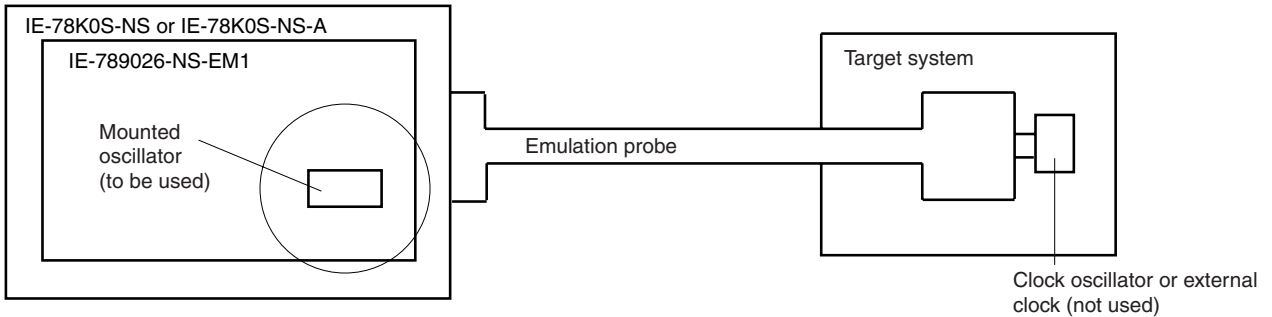


(1) Clock that is already mounted on emulation board

A crystal oscillator (X1) is already mounted on the emulation board. Its frequency is 5.0 MHz.

★

Figure 3-3. When Using Clock That Is Already Mounted on Emulation Board



Remark The clock that is supplied by the IE-789026-NS-EM1's oscillator (encircled in the figure) is used.

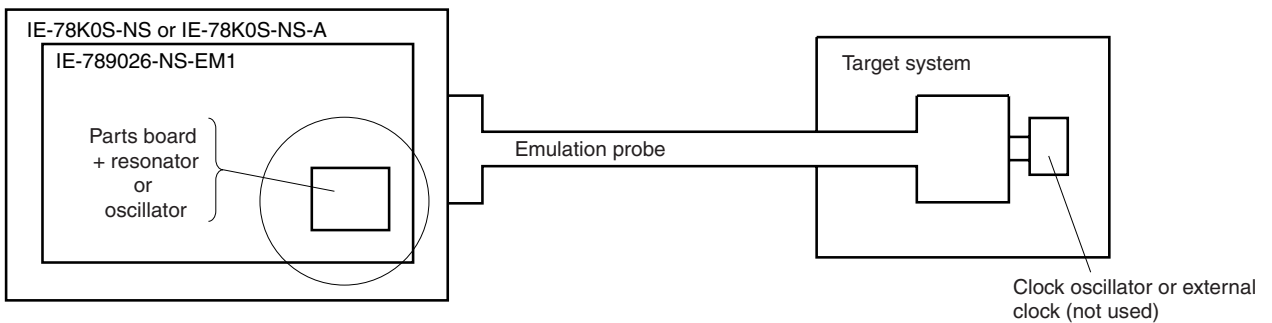
(2) Clock that is mounted by user

The user is able to mount any clock supported by the set specifications on the IE-789026-NS-EM1.

Remove the crystal oscillator (X1) that is already mounted on the emulation board, and mount the parts board on which the resonator to be used is mounted or the oscillator to be used. This method is useful when using a different frequency from that of the pre-mounted clock.

★

Figure 3-4. When Using User-Mounted Clock



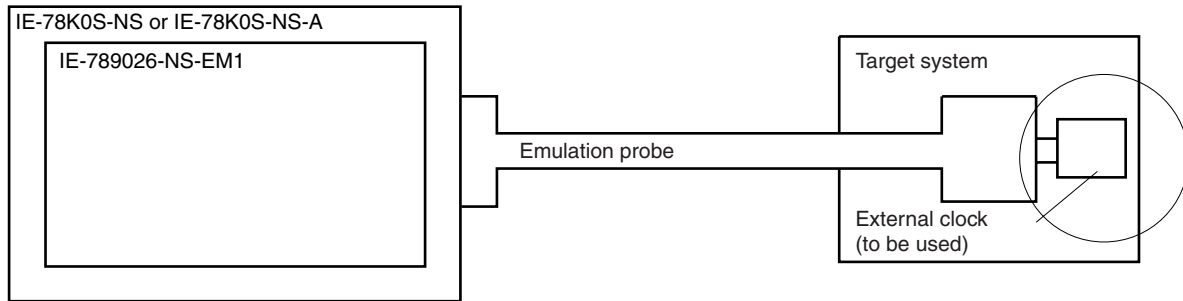
Remark The clock that is supplied by the parts board on which the IE-789026-NS-EM1's resonator is mounted or by the oscillator (encircled in the figure) is used.

(3) Pulse input from target system

An external clock connected to the target system can be used via an emulation probe.

★

Figure 3-5. When Using an External Clock



Remark The clock supplied by the target system’s external clock (encircled in the figure) is used.

3.2.2 Main system clock settings

Table 3-1. Main System Clock Settings

Frequency of Main System Clock		IE-789026-NS-EM1	CPU Clock Source Selection (ID)
		X1 Socket	
When using clock that is already mounted on emulation board	5.0 MHz	Oscillator used	Internal
When using clock mounted by user	Other than 5.0 MHz	Oscillator configured by user	External
When inputting pulse from target system		Oscillator (not used)	

Caution When inputting a pulse from the target system, open the configuration dialog box when starting the integrated debugger (ID78K0S-NS) and select “External” in the area (Clock) for selecting the CPU’s clock source (this selects the user’s clock).

Remark The IE-789026-NS-EM1’s factory settings are those listed above under “when using clock that is already mounted on emulation board”.

(1) When using clock that is already mounted on emulation board

When the IE-789026-NS-EM1 is shipped, a 5.0-MHz crystal oscillator is already mounted in the IE-789026-NS-EM1’s X1 socket. When using the factory-set mode settings, there is no need to make any other hardware settings.

When starting the integrated debugger (ID78K0S-NS), open the configuration dialog box and select “Internal” in the area (Clock) for selecting the CPU’s clock source (this selects the emulator’s internal clock).

(2) When using clock mounted by user

The settings described under either (a) or (b) are required, depending on the type of clock to be used. When starting the integrated debugger (ID78K0S-NS), open the configuration dialog box and select "Internal" in the area (Clock) for selecting the CPU's clock source (this selects the emulator's internal clock).

(a) When using a ceramic resonator or crystal resonator

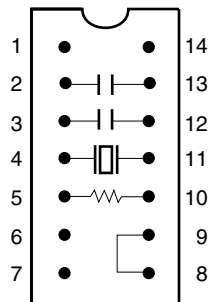
- Items to be prepared
 - Parts board
 - Ceramic resonator or crystal resonator
 - Resistor Rx
- Capacitor CA
- Capacitor CB
- Solder kit

<Steps>

- <1> Solder the target ceramic resonator or crystal resonator, resistor Rx, capacitor CA, and capacitor CB (all with suitable oscillation frequencies) onto the supplied parts board (as shown below).

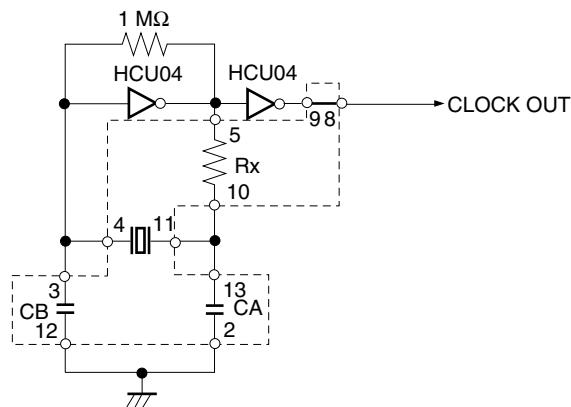
Figure 3-6. Connections on Parts Board (When Using User-Mounted Clock)

Parts board (X1)



Pin No.	Connection
2-13	Capacitor CA
3-12	Capacitor CB
4-11	Ceramic resonator or crystal resonator
5-10	Resistor Rx
8-9	Shorted

Circuit diagram

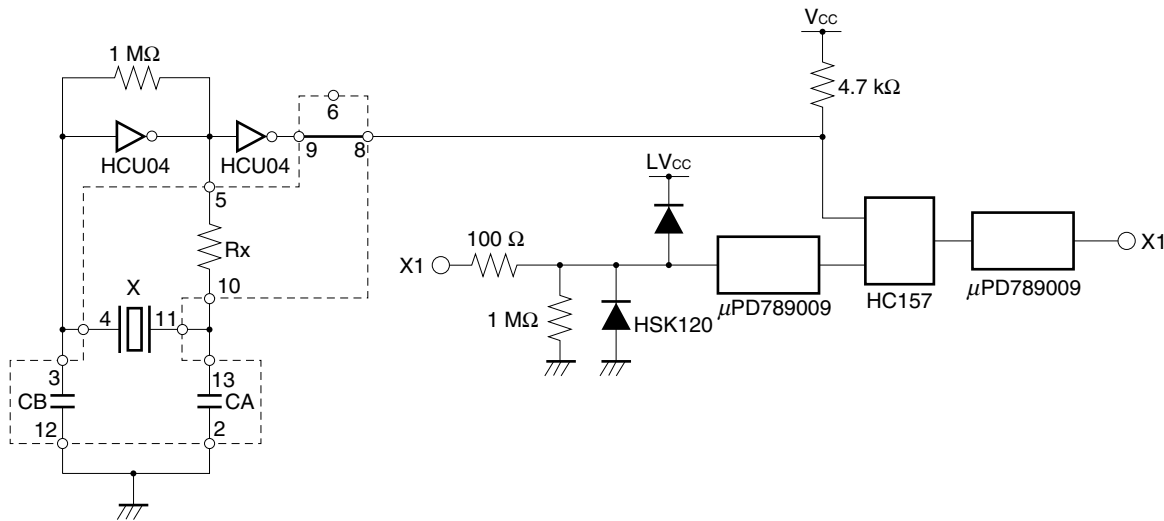


Remark The sections enclosed in broken lines indicate parts that are attached to the parts board.

- <2> Prepare the IE-789026-NS-EM1.
- <3> Remove the crystal oscillator that is mounted in the IE-789026-NS-EM1's X1 socket.
- <4> Connect the parts board (from <1> above) to the X1 socket from which the crystal oscillator was removed. Check the pin 1 mark to make sure the board is mounted in the correct direction.
- <5> Make sure that the parts board is wired as shown in Figure 3-6 above.
- <6> Install the IE-789026-NS-EM1 in the IE-78K0S-NS or IE-78K0S-NS-A.

The above steps configure the following circuit and enable supply of the clock from the mounted resonator to the emulation device.

**IE-78K0S-NS or IE-78K0S-NS-A side
(Emulation device)**

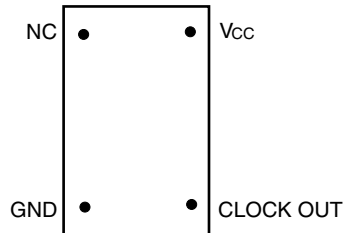


Remark The sections enclosed in broken lines indicate parts that are attached to the parts board.

(b) When using a crystal oscillator

- Items to be prepared
 - Crystal oscillator (see pinouts shown in Figure 3-7)

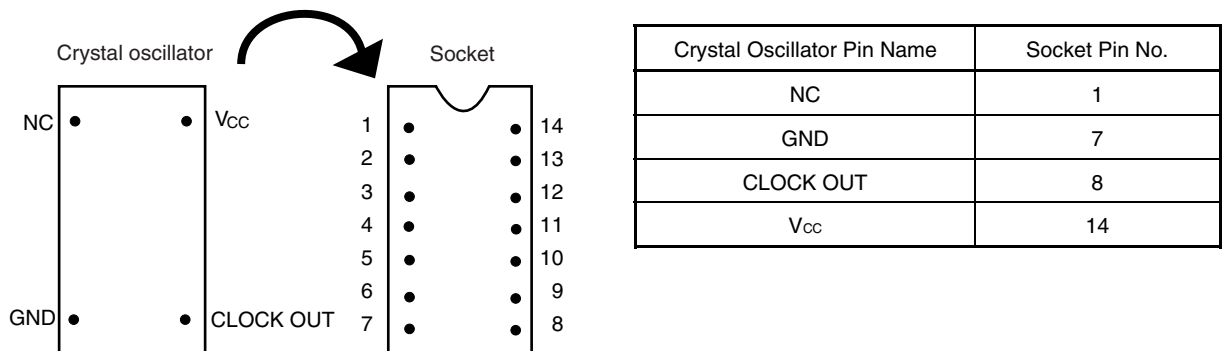
Figure 3-7. Crystal Oscillator (When Using User-Mounted Clock)



<Steps>

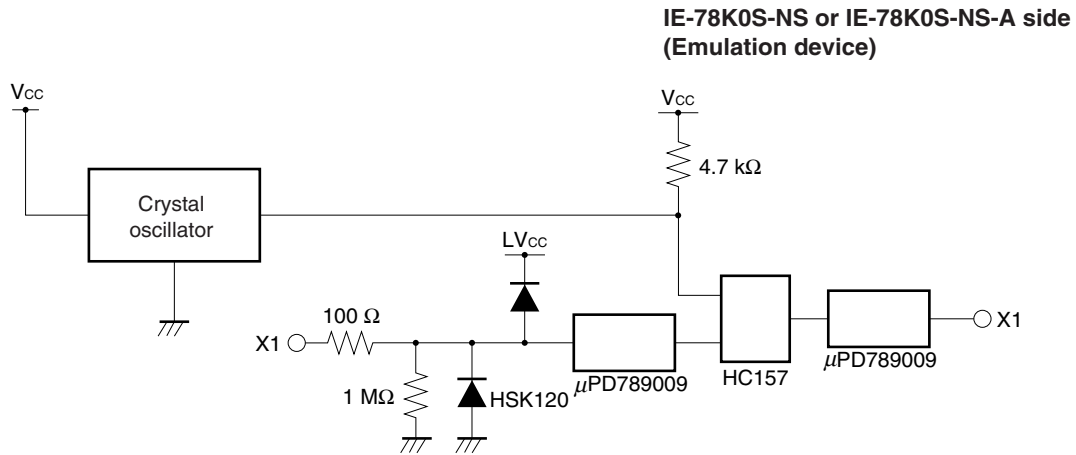
- <1> Prepare the IE-789026-NS-EM1.
- <2> Remove the crystal oscillator that is mounted in the IE-789026-NS-EM1's X1 socket.
- <3> Connect a crystal oscillator to the X1 socket from which the crystal oscillator was removed (in <2> above). Insert the crystal oscillator pin into the socket aligning the pins as shown in the figure below.

Figure 3-8. Pin Alignment of Crystal Oscillator and Socket



- <4> Install the IE-789026-NS-EM1 in the IE-78K0S-NS or IE-78K0S-NS-A.

The above steps configure the following circuit and enable supply of the clock from the mounted resonator to the emulation device.



(3) When inputting pulse from target system

No hardware settings are required for this situation.

When starting the integrated debugger (ID78K0S-NS), open the configuration dialog box and select "External" in the area (Clock) for selecting the CPU's clock source (this selects the user's clock).

★ 3.3 Power Supply Voltage Setting of Target Interface

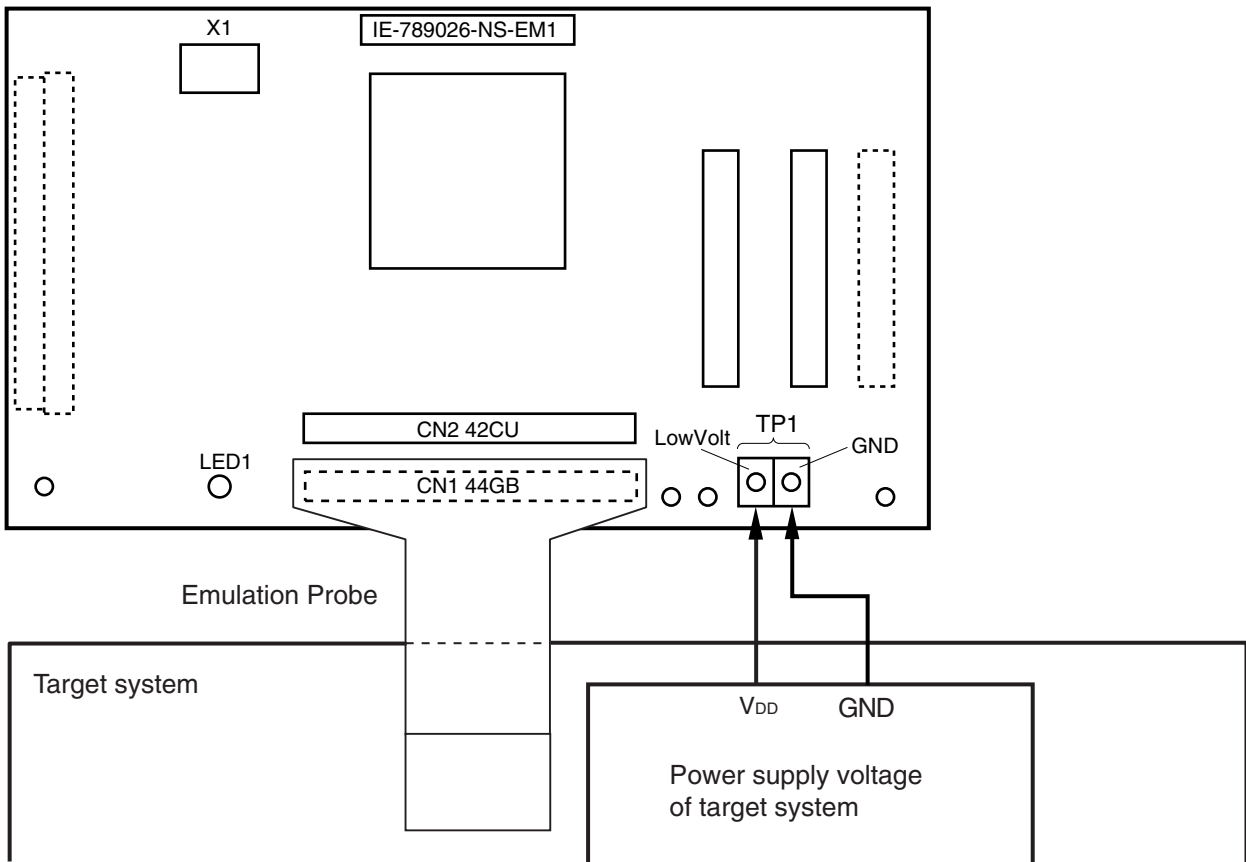
In the IE system, emulation is possible with a voltage of the same level as the power supply voltage of the target system.

When the target system is not connected, the IE system automatically operates with the emulator's internal power supply (5 V). When debugging with a voltage that is the same level as that of the target system, supply the same voltage as that of the target system to the TP1 terminal pin of the IE-789026-NS-EM1 (the same applies when the voltage is 5 V).

Set the target voltage to between 1.8 and 5.0 V.

- Maximum current consumption of TP1
1.8 to 5.0 V: Approximately 100 mA

Figure 3-9. Connection of TP1 and Power Supply Voltage of Target System



Caution Connect TP1 on the board and the power supply voltage of the target system after turning off the power of the IE-78K0S-NS or IE-78K0S-NS-A.

Remark The V_{DD} pin of the target system is only used for controlling LED1 (TV_{CC}), which monitors whether the power supply of the target system is connected in the IE-789026-NS-EM1.

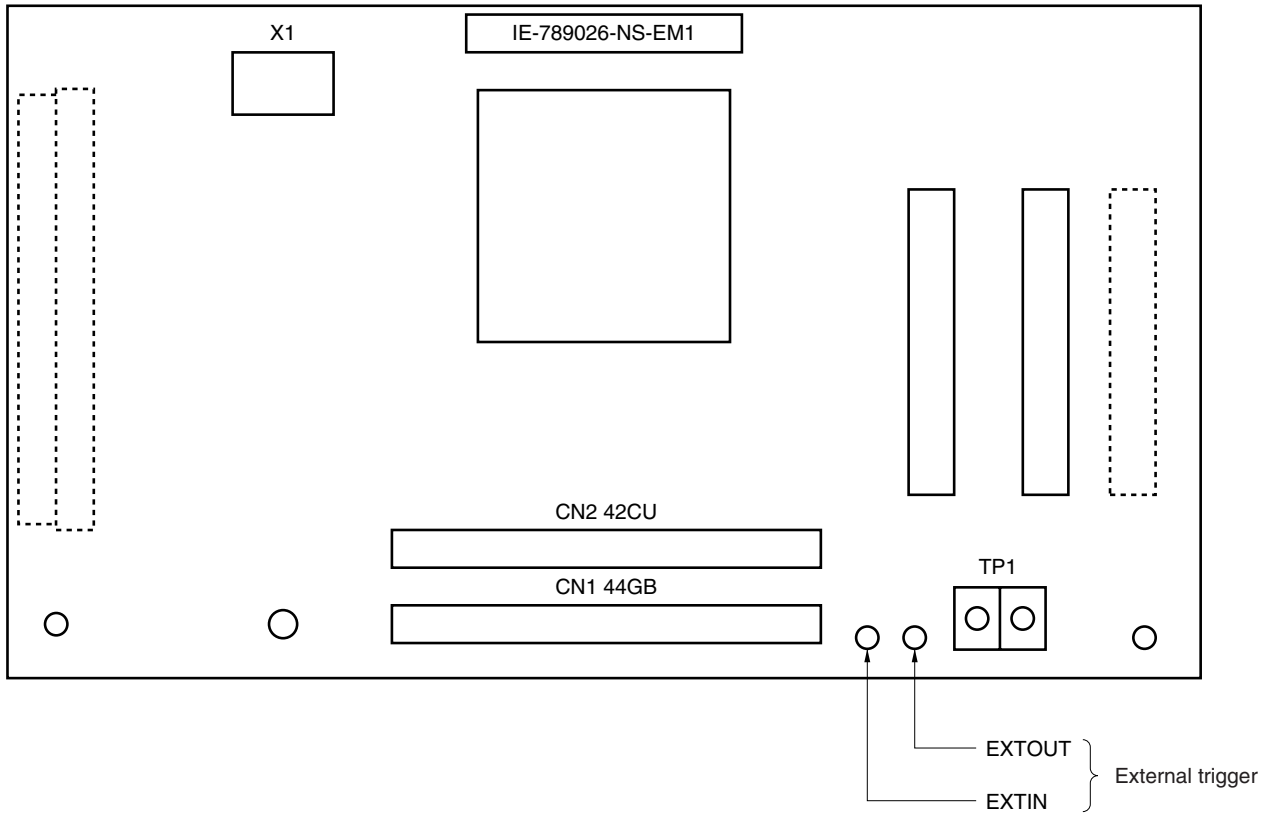
3.4 External Trigger

To set up an external trigger, connect the IE-789026-NS-EM1's check pins EXTOUT and EXTIN, as shown below.

See the **IE-78K0S-NS User's Manual (U13549E)** or **IE-78K0S-NS-A User's Manual (U15207E)** for pin characteristics.

For the use methods, see the **ID78K0-NS, ID78K0S-NS Integrated Debugger Ver.2.20 or Later Operation (Windows Based) User's Manual (U14910E)**.

Figure 3-10. External Trigger Input Position



3.5 Switch and Jumper Settings on IE-78K0S-NS or IE-78K0S-NS-A

(1) Settings on the IE-78K0S-NS

When using the IE-789026-NS-EM1, set the switches and jumpers on the IE-78K0S-NS as shown in Table 3-2. For details of these switch and jumper settings, refer to the **IE-78K0S-NS User's Manual (U13549E)**.

Table 3-2. Switch and Jumper Settings on IE-78K0S-NS

	SW1	SW3	SW4	JP1	JP4
Setting	OFF	All switches ON	All switches ON	2 and 3 shorted	1 and 2 shorted

★ **Caution** Incorrect connection may damage the IE-789026-NS-EM1.

★ (2) Settings on the IE-78K0S-NS-A

When using the IE-789026-NS-EM1, set the switches and jumpers on the IE-78K0S-NS-A as shown in Table 3-3. For details of these switch and jumper settings, refer to the **IE-78K0S-NS-A User's Manual (U15207E)**.

Table 3-3. Switch and Jumper Settings on IE-78K0S-NS-A

	SW1	JP1	JP3
Setting	OFF	1 and 2 shorted	Shorted (fixed)

Caution Incorrect connection may damage the IE-789026-NS-EM1.

CHAPTER 4 DIFFERENCES BETWEEN TARGET DEVICE AND TARGET INTERFACE CIRCUIT

This chapter describes differences between the target device's signal lines and the signal lines of the IE-789026-NS-EM1's target interface circuit.

Although the target device is a CMOS circuit, the IE-789026-NS-EM1's target interface circuit consists of an emulation CPU, TTL, CMOS-IC, and other components.

When the IE system is connected with the target system for debugging, the IE system performs emulation so as to operate as the actual target device would operate in the target system.

However, some minor differences exist since the operations are performed via the IE system's emulation.

- (1) Signals input to or output from the evaluation chip and peripheral evaluation chip
- (2) Signals input from the target system via a gate
- (3) Other signals

The IE-789026-NS-EM1's circuit is used as follows for signals listed in (1) to (3) above.

(1) Signals input to or output from the evaluation chip and peripheral evaluation chip

The following signals perform the same operations as in the μ PD789026 Subseries. However, a 1 M Ω pull-down resistor and 100 Ω resistor are inserted in series for the signals related to ports. Refer to **Figure 4-1 Equivalent Circuit 1 of Emulation Circuit**.

- Signals related to port 0
- Signals related to port 1
- Signals related to port 2
- Signals related to port 3
- Signals related to port 4
- Signals related to port 5

(2) Signals input from the target system via a gate

Since the following signals are input via a gate, their timing shows a delay compared to the μ PD789026 Subseries.

- $\overline{\text{RESET}}$ signal
- X1 signal

Refer to **Figure 4-3 Equivalent Circuit 3 of Emulation Circuit**.

(3) Other signals

- V_{DD} pin

When the target system is not connected, the internal power supply voltage (5 V) of the IE-789026-NS-EM1 is supplied to the emulation CPU. When the target system is connected, power is supplied via the voltage supply pin (TP1). The V_{DD} pin of the target system is only used to control the LED (TV_{CC}) in the IE-789026-NS-EM1 that monitors the input of the target system's power supply.

- V_{SS} pin

The V_{SS} pin is connected to GND in the IE-789026-NS-EM1.

- V_{PP}/IC pin

The V_{PP} and IC pins are not used in the IE-789026-NS-EM1.

- X2 pin

The X2 pin is not used in the IE-789026-NS-EM1.

Figure 4-1. Equivalent Circuit 1 of Emulation Circuit

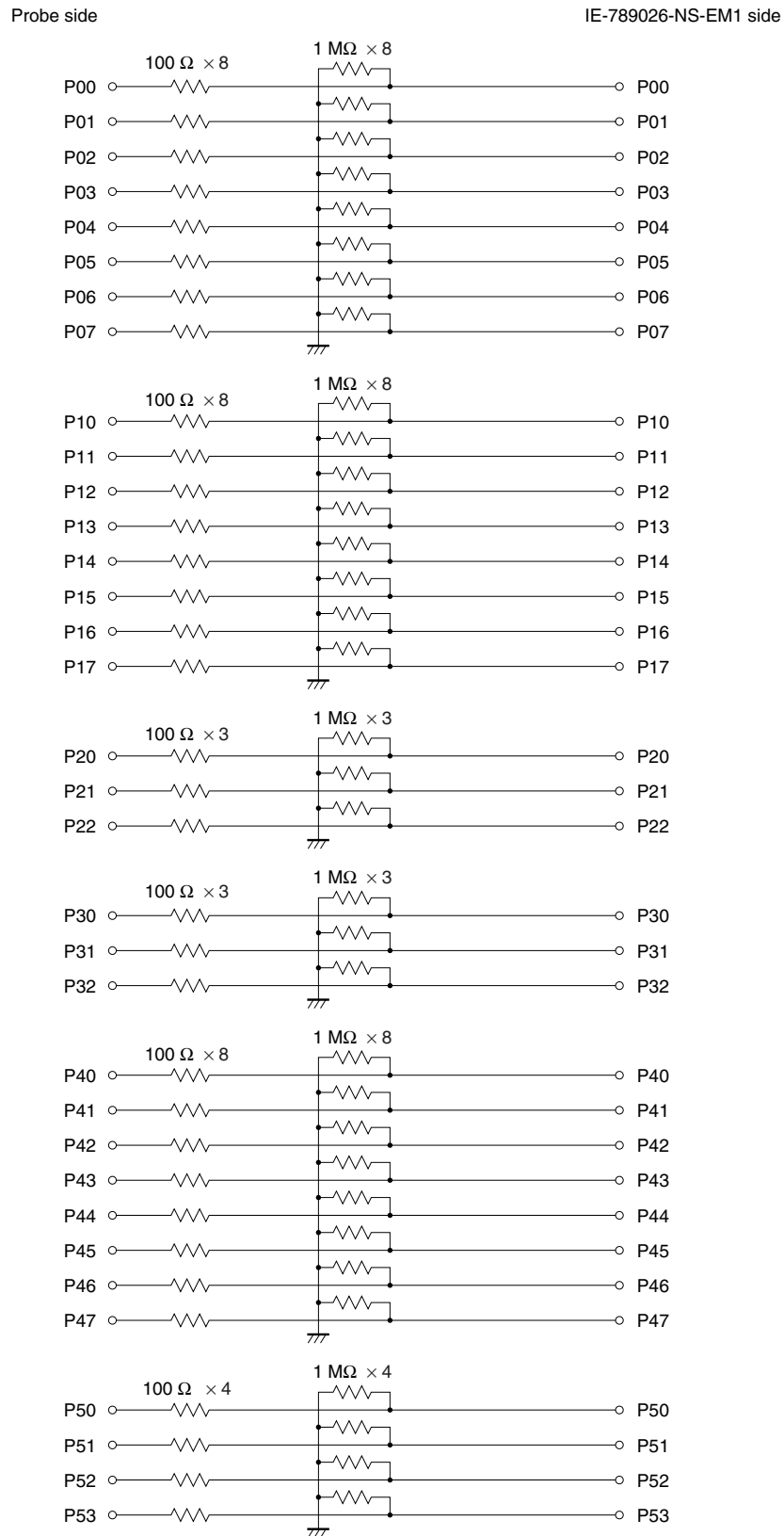


Figure 4-2. Equivalent Circuit 2 of Emulation Circuit

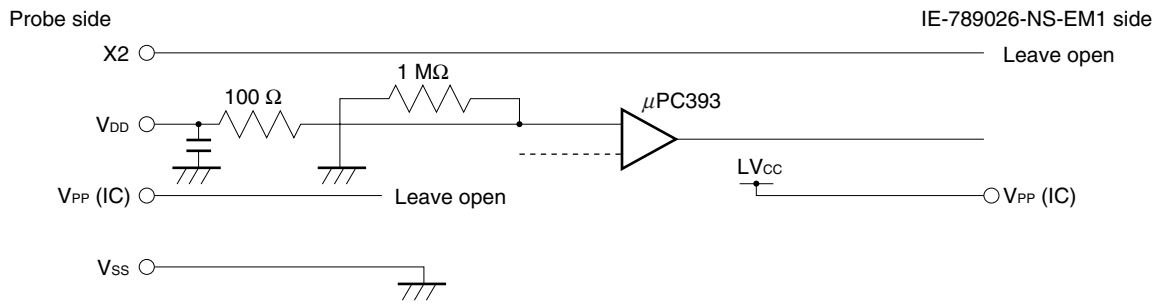
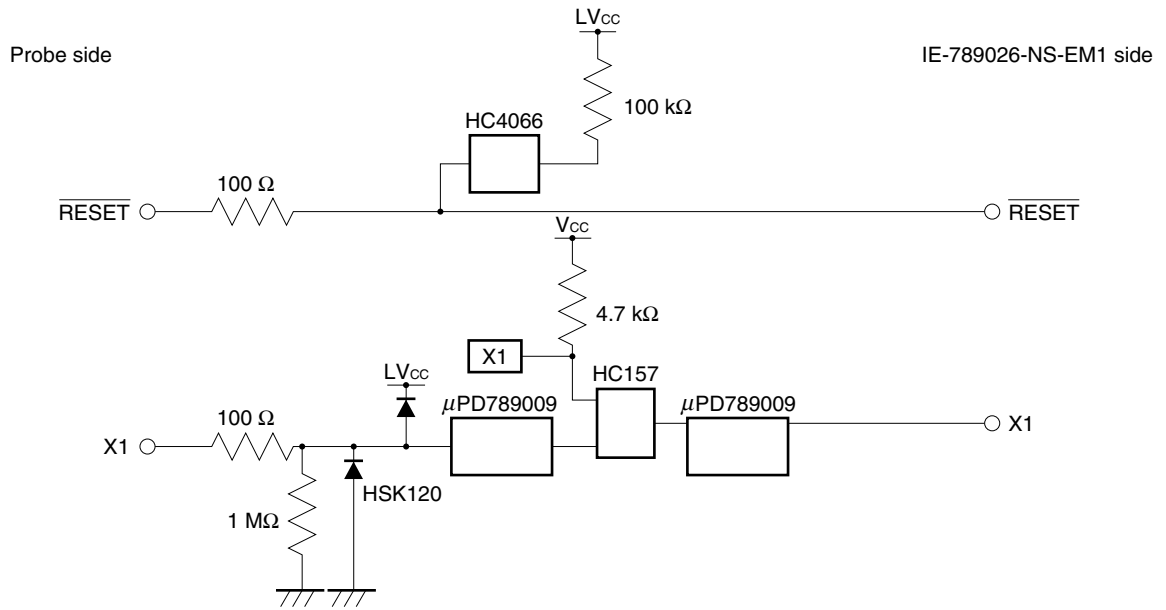


Figure 4-3. Equivalent Circuit 3 of Emulation Circuit



APPENDIX A EMULATION PROBE PIN ASSIGNMENT TABLE

Table A-1. NP-44GB, NP-44GB-TQ, NP-H44GB-TQ Pin Assignments

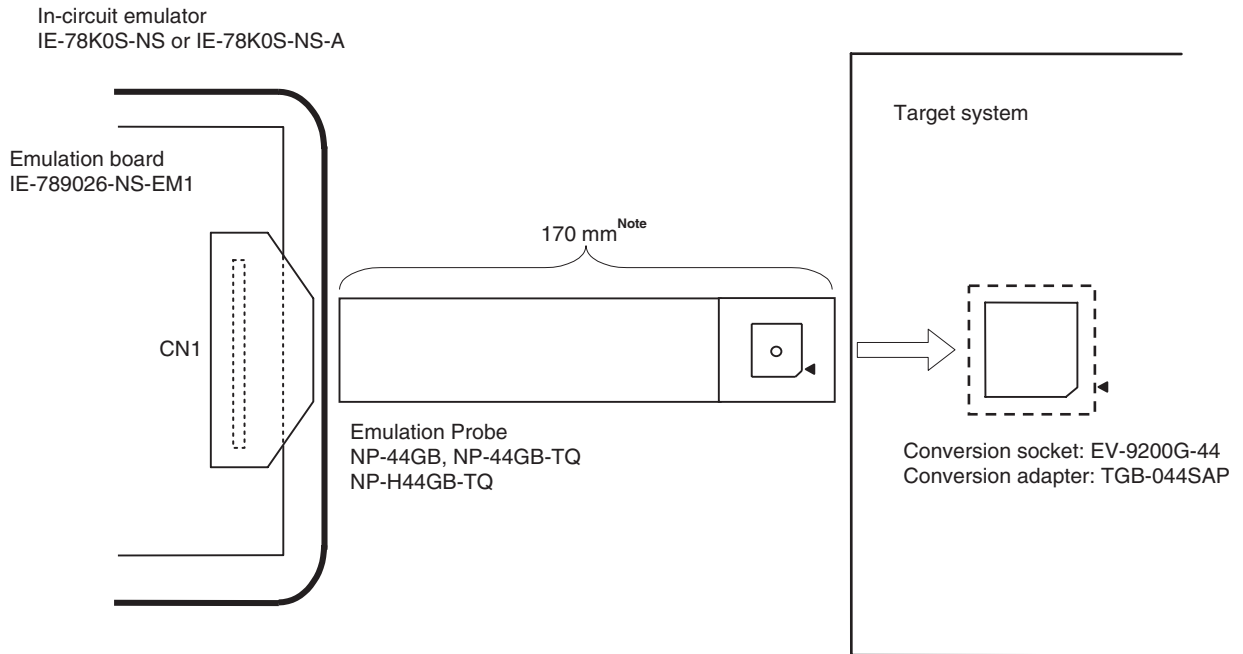
Emulation Probe	CN1 Pin No.	Emulation Probe	CN1 Pin No.
1	104	23	18
2	103	24	17
3	100	25	22
4	99	26	21
5	94	27	28
6	93	28	27
7	30	29	92
8	29	30	91
9	24	31	98
10	23	32	97
11	20	33	102
12	47	34	73
13	48	35	72
14	51	36	69
15	52	37	70
16	57	38	63
17	58	39	64
18	59	40	61
19	60	41	62
20	55	42	65
21	56	43	66
22	49	44	71

- Remarks**
1. NP-44GB, NP-44GB-TQ, and NP-H44GB-TQ are products of Naito Densetsu Machida Mfg. Co., Ltd.
 2. The numbers in the “Emulation probe” column indicate the corresponding pin number on the emulation probe tip.

APPENDIX B CAUTIONS ON DESIGNING TARGET SYSTEM

Figures B-1 and B-2 show the conditions when connecting the emulation probe to the conversion connector or conversion socket. Follow the configuration below and consider the shape of parts to be mounted on the target system when designing a system.

Figure B-1. Distance Between In-Circuit Emulator and Conversion Socket/Conversion Adapter

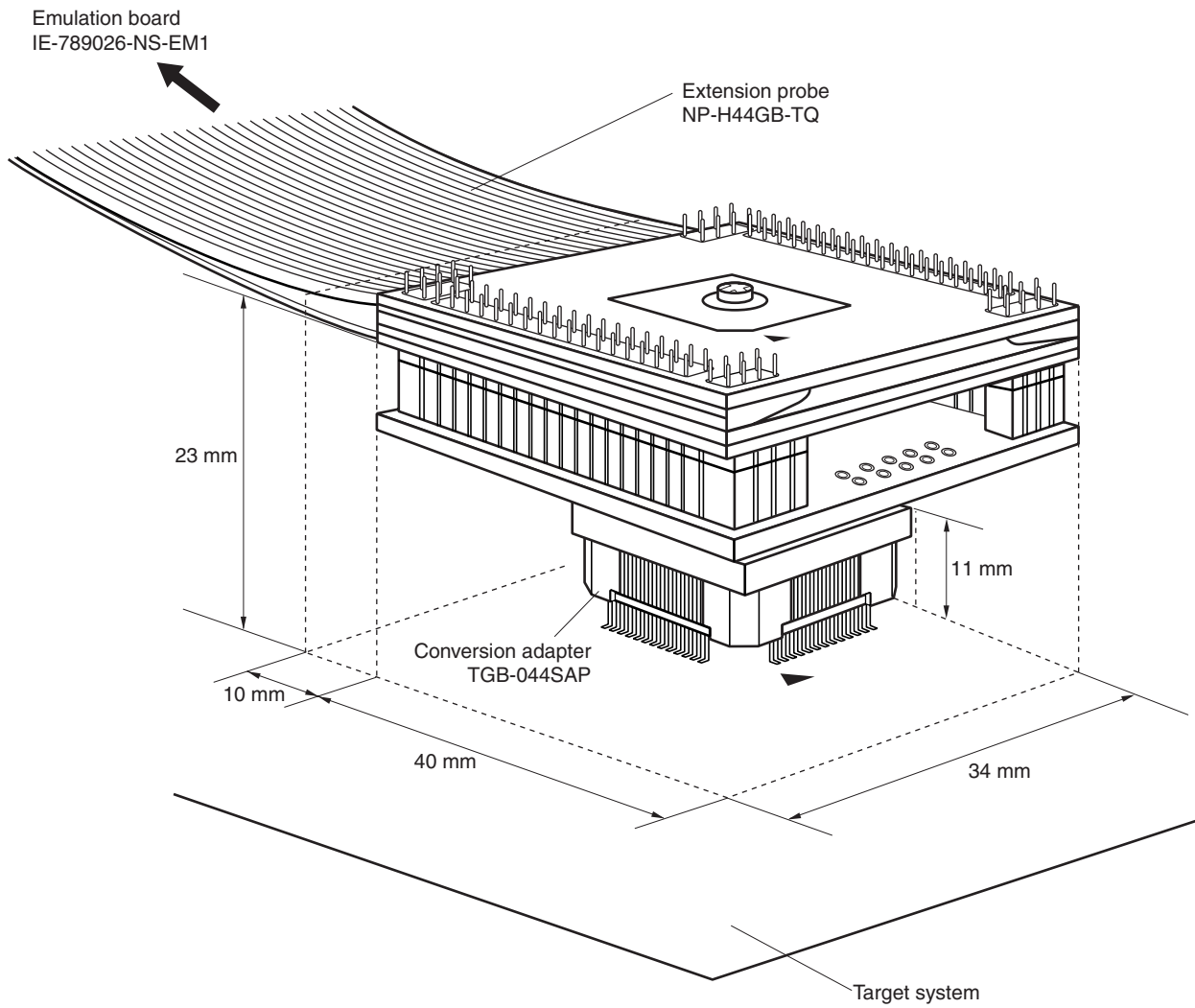


Note Distance when NP-44GB and NP-44GB-TQ are used. When NP-H44GB-TQ is used, the distance is 370 mm.

Remarks

1. NP-44GB, NP-44GB-TQ, and NP-H44GB-TQ are products of Naito Densai Machida Mfg. Co., Ltd.
2. TGB-044SAP is a product of TOKYO ELETECH CORPORATION.

Figure B-2. Connection Condition of Target System (When NP-H44GB-TQ Is Used)



Remark NP-H44GB-TQ is a product of Naito Densai Machida Mfg. Co., Ltd.
 TGB-044SAP is a product of TKYO ELETECH CORPORATION.

[MEMO]

[MEMO]

Facsimile Message

Although NEC has taken all possible steps to ensure that the documentation supplied to our customers is complete, bug free and up-to-date, we readily accept that errors may occur. Despite all the care and precautions we've taken, you may encounter problems in the documentation. Please complete this form whenever you'd like to report errors or suggest improvements to us.

From:

Name

Company

Tel.

FAX

Address

Thank you for your kind support.

North America

NEC Electronics Inc.
Corporate Communications Dept.
Fax: +1-800-729-9288
+1-408-588-6130

Hong Kong, Philippines, Oceania

NEC Electronics Hong Kong Ltd.
Fax: +852-2886-9022/9044

Taiwan

NEC Electronics Taiwan Ltd.
Fax: +886-2-2719-5951

Europe

NEC Electronics (Europe) GmbH
Market Communication Dept.
Fax: +49-211-6503-274

Korea

NEC Electronics Hong Kong Ltd.
Seoul Branch
Fax: +82-2-528-4411

Asian Nations except Philippines

NEC Electronics Singapore Pte. Ltd.
Fax: +65-250-3583

South America

NEC do Brasil S.A.
Fax: +55-11-6462-6829

P.R. China

NEC Electronics Shanghai, Ltd.
Fax: +86-21-6841-1137

Japan

NEC Semiconductor Technical Hotline
Fax: +81- 44-435-9608

I would like to report the following error/make the following suggestion:

Document title: _____

Document number: _____ Page number: _____

If possible, please fax the referenced page or drawing.

Document Rating	Excellent	Good	Acceptable	Poor
Clarity	<input type="checkbox"/>	<input type="checkbox"/>	<input type="checkbox"/>	<input type="checkbox"/>
Technical Accuracy	<input type="checkbox"/>	<input type="checkbox"/>	<input type="checkbox"/>	<input type="checkbox"/>
Organization	<input type="checkbox"/>	<input type="checkbox"/>	<input type="checkbox"/>	<input type="checkbox"/>