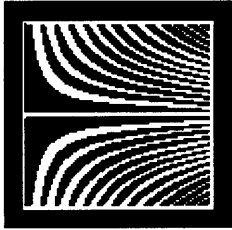


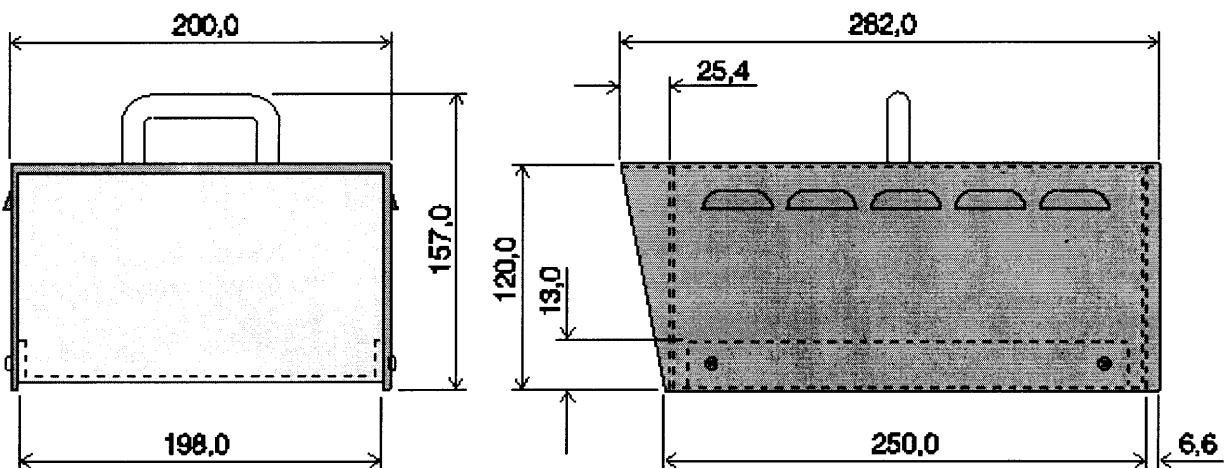
518 888


**DELTRON** *Components Limited*
**MODULE CASE**

 Sheet No. **PS 0722**
**PRODUCT SPECIFICATION**

Date : 08.11.94 Issue No. 1

Sheet 1 of 1 Signature

 Deltron Part No. **518-0910**
**Dimensions**


DIMENSIONS IN MILLIMETRES

**Description**

A range of two part cases which are ideally suited for portable or benchtop instruments. An optional carrying handle is supplied, as well as self-adhesive feet.

The front and rear panels are protected by an extended top cover, and good ventilation is provided by louvres on either side.

The mild steel construction is robust, and the case finished in a durable two tone grey paint.

**Features**
**MATERIALS**

**COVER** : Mild Steel,  
1,0mm thick  
dark grey paint, textured

**BASE** : Mild Steel,  
1,2mm thick  
light grey paint, smooth

**SCREWS** : Mild Steel,  
zinc plated

**HANDLE** : Mild Steel,

two-tone grey paint.

chrome plated

**Request A Product Sample**

---

This website is copyright Deltron Emcon 2001©  
if you have any comments or suggestions please contact  
[sales@deltron-emcon.com](mailto:sales@deltron-emcon.com)