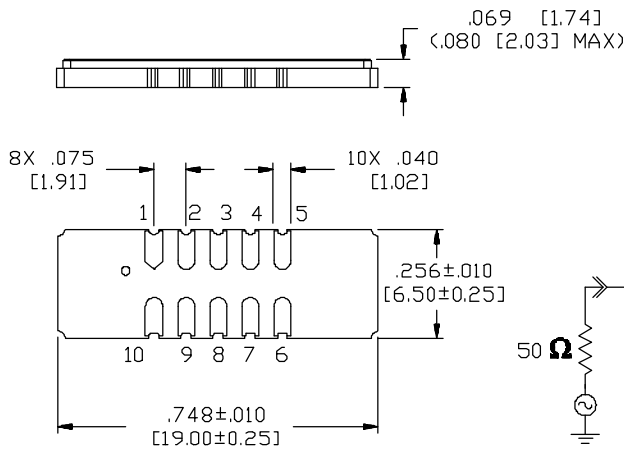


TFH160A SAW Filter
Preliminary

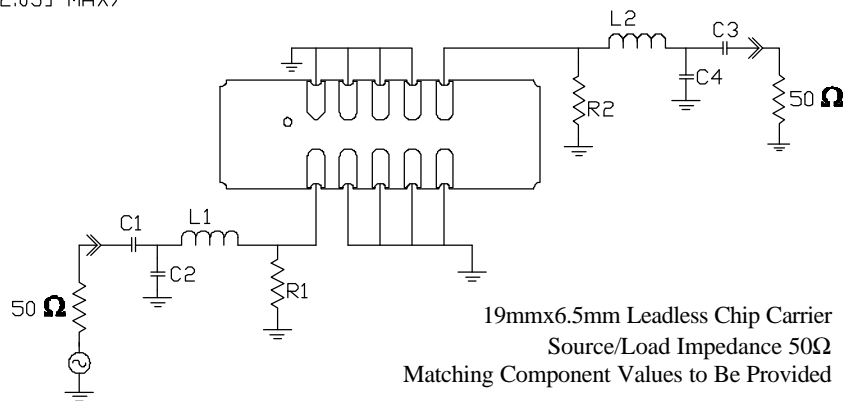
160 MHz SAW Filter
for CDMA Basestation Applications

Parameter	Minimum	Maximum	Unit
Lower 0.5 dB Frequency		159.410	MHz
Upper 0.5 dB Frequency	169.590		MHz
Lower 5 dB Frequency	159.115		MHz
Upper 5 dB Frequency		160.885	MHz
Lower 15 dB Frequency	158.750		MHz
Upper 15 dB Frequency		161.250	MHz
Lower 30 dB Frequency	157.750		MHz
Upper 30 dB Frequency		162.250	MHz
Ultimate Rejection	30		dB
Insertion Loss		25	dB
Amplitude Ripple		0.6	dB p-p
Phase Ripple (within 150.0±0.590 MHz)		5	Deg. p-p
Input Return Loss	14		dB
Output Return Loss	14		dB
Temperature Range of Operation	0	80	°C

Package Outline



Matching Configuration



19mmx6.5mm Leadless Chip Carrier
Source/Load Impedance 50Ω
Matching Component Values to Be Provided