

PM5352

S/UNI-STAR

**SATURN
USER NETWORK INTERFACE
(STAR)**

DATA SHEET

ISSUE 2: FEBRUARY 2000

PUBLIC REVISION HISTORY

Issue No.	Issue Date	Details of Change
2	February, 2000	Added additional bytes to software initialization (section 8.1) to further reduce power consumption. DC characteristics section was added.
1	December, 1999	Released data sheet (replaces draft data sheet issue 2)

TABLE OF CONTENTS

1 FEATURES 1

 1.1 GENERAL 1

 1.2 THE SONET RECEIVER 2

 1.3 THE RECEIVE ATM PROCESSOR 3

 1.4 THE RECEIVE POS PROCESSOR 3

 1.5 THE SONET TRANSMITTER 4

 1.6 THE TRANSMIT ATM PROCESSOR 4

 1.7 THE TRANSMIT POS PROCESSOR 5

2 APPLICATIONS 6

3 REFERENCES 7

4 DATASHEET OVERVIEW 9

5 PIN DIAGRAM 10

6 PIN DESCRIPTION 11

 6.1 LINE SIDE INTERFACE SIGNALS 11

 6.2 SECTION AND LINE STATUS DCC SIGNALS 14

 6.3 ATM (UTOPIA) AND PACKET OVER SONET (POS-PHY)
 SYSTEM INTERFACE 15

 6.4 MICROPROCESSOR INTERFACE SIGNALS 34

 6.5 JTAG TEST ACCESS PORT (TAP) SIGNALS 36

 6.6 ANALOG SIGNALS 37

 6.7 POWER AND GROUND 37

7 MICROPROCESSOR INTERFACE 45

8 OPERATIONS 56

 8.1 DEVICE INITIALIZATION 56

9	TEST FEATURES DESCRIPTION	57
9.1	MASTER TEST REGISTER.....	57
9.2	JTAG TEST PORT	59
10	DC CHARACTERISTICS	69
11	ORDERING AND THERMAL INFORMATION.....	70
12	MECHANICAL INFORMATION	71

1 FEATURES

1.1 General

- Single chip ATM User-Network Interface operating at 155.52 Mbit/s.
- Implements the ATM Forum User Network Interface Specification and the ATM physical layer for Broadband ISDN according to CCITT Recommendation I.432.
- Implements the Point-to-Point Protocol (PPP) over SONET/SDH specification according to RFC 1619/1662 of the PPP Working Group of the Internet Engineering Task Force (IETF).
- Processes duplex 155.52 Mbit/s STS-3c (STM-1) data streams with on-chip clock and data recovery and clock synthesis.
- Exceeds Bellcore GR-253-CORE jitter tolerance and intrinsic jitter criteria.
- Exceeds Bellcore GR-253-CORE jitter transfer and phase variation criteria.
- Provides control circuitry required to exceed Bellcore GR-253-CORE WAN clocking requirements related to wander transfer, holdover and long term stability when using an external VCXO.
- Compatible with ATM Forum's Utopia Level 2 Specification with Multi-PHY addressing and parity support.
- Implements the POS-PHY 16-bit System Interface for Packet over SONET/SDH (POS) applications. This system interface is similar to Utopia Level 2, but adapted to packet transfer. Both byte-level and packet-level transfer modes are supported.
- Provides a standard 5 signal IEEE 1149.1 JTAG test port for boundary scan board test purposes.
- Provides a generic 8-bit microprocessor bus interface for configuration, control, and status monitoring.
- Low power 3.3V CMOS with PECL and TTL compatible inputs and CMOS/TTL outputs, with 5V tolerance inputs (system side interface is 3.3V only).

- Industrial temperature range (-40°C to +85°C).
- 304 pin Super BGA package.

1.2 The SONET Receiver

- Provides a serial interface at 155.52 Mbit/s.
- Recovers the clock and data.
- Frames to and de-scrambles the recovered stream.
- Detects signal degrade (SD) and signal fail (SF) threshold crossing alarms based on received B2 errors.
- Captures and debounces the synchronization status (S1) byte in a readable register.
- Filters and captures the automatic protection switch channel (K1, K2) bytes in readable registers and detects APS byte failure.
- Counts received section BIP-8 (B1) errors, received line BIP-24 (B2) errors, line far end block errors (FEBE), and received path BIP-8 (B3) errors and path far end block errors (FEBE).
- Detects loss of signal (LOS), out of frame (OOF), loss of frame (LOF), line alarm indication signal (LAIS), line remote defect indication (LRDI), loss of pointer (LOP), path alarm indication signal (PAIS), path remote defect indication (PRDI) and path extended remote defect indicator (PERDI).
- Extracts the section and line data communication channels (D1-D3 and D4-12) as selected in internal register banks and serializes them at 192 Kbit/s (D1-D3) and 576 Kbit/s (D4-D12) for optional external processing.
- Extracts the 16 or 64 byte section trace (J0) sequence and the 16 or 64 byte path trace (J1) sequence into internal register banks.
- Interprets the received payload pointer (H1, H2) and extracts the STS-3c (STM-1) synchronous payload envelope and path overhead.
- Provides a divide by 8 recovered clock (19.44 MHz).
- Provides a 8KHz receive frame pulse.

1.3 The Receive ATM Processor

- Extracts ATM cells from the received STS-3c (STM-1) synchronous payload envelope using ATM cell delineation.
- Provides ATM cell payload de-scrambling.
- Performs header check sequence (HCS) error detection and correction, and idle/unassigned cell filtering.
- Detects Out of Cell Delineation (OCD) and Loss of Cell Delineation (LCD).
- Counts number of received cells, idle cells, errored cells and dropped cells.
- Provides a synchronous 8-bit wide, four-cell FIFO buffer.

1.4 The Receive POS Processor

- Generic design that supports packet based link layer protocols, like PPP, HDLC and Frame Relay.
- Performs self synchronous POS data de-scrambling on SPE payload ($x^{43}+1$ polynomial).
- Performs flag sequence detection and terminates the received POS frames.
- Performs frame check sequence (FCS) validation. The POS processor supports the validation of both CRC-CCITT and CRC-32 frame check sequences.
- Performs Control Escape de-stuffing.
- Checks for packet abort sequence.
- Checks for octet aligned packet lengths and for minimum and maximum packet lengths. Automatically deletes short packets (software configurable), and marks those exceeding the maximum length as errored.
- Provides a synchronous 256 byte FIFO buffer accessed through a 16-bit data bus on the POS-PHY System Interface.

1.5 The SONET Transmitter

- Synthesizes the 155.52 MHz transmit clock from a 19.44 MHz reference.
- Provides a differential TTL serial interface (can be adapted to PECL levels) at 155.52 Mbit/s with both line rate data (TXD+/-) and clock (TXC+/-).
- Provides a transmit frame pulse input to align the transport frames to a system reference.
- Provides a transmit byte clock (divide by eight of the synthesized line rate clock) to provide a timing reference for the transmit outputs.
- Optionally inserts register programmable APS (K1, K2) and synchronization status (S1) bytes.
- Optionally inserts path alarm indication signal (PAIS), path remote defect indication (PRDI), line alarm indication signal (LAIS) and line remote defect indication (LRDI).
- Inserts path BIP-8 codes (B3), path far end block error (G1) indications, line BIP-24 codes (B2), line far end block error (M1) indications, and section BIP-8 codes (B1) to allow performance monitoring at the far end.
- Optionally inserts the section and line data communication channels (D1-D3 or D4-12) via a 192 kbit/s (D1-D3) and 576 kbit/s (D4-D12) serial stream.
- Optionally inserts the 16 or 64 byte section trace (J0) sequence and the 16 or 64 byte path trace (J1) sequence from internal register banks.
- Scrambles the transmitted STS-3c (STM-1) stream and inserts the framing bytes (A1,A2).
- Inserts ATM cells or POS frames into the transmitted STS-3c (STM-1) synchronous payload envelope.

1.6 The Transmit ATM Processor

- Provides idle/unassigned cell insertion.

- Provides HCS generation/insertion, and ATM cell payload scrambling.
- Counts number of transmitted and idle cells.
- Provides a synchronous 8-bit wide, four cell FIFO buffer.

1.7 The Transmit POS Processor

- Generic design that supports any packet based link layer protocol, like PPP, HDLC and Frame Relay.
- Performs self synchronous POS data scrambling ($X^{43} + 1$ polynomial).
- Encapsulates packets within a POS frame.
- Performs flag sequence insertion.
- Performs byte stuffing for transparency processing.
- Performs frame check sequence generation. The POS processor supports the generation of both CRC-CCITT and CRC-32 frame check sequences.
- Aborts packets under the direction of the host or when the FIFO underflows.
- Provides a synchronous 256 byte FIFO buffer accessed through the 16-bit data bus on the POS-PHY System Interface.

2 APPLICATIONS

- DSLAM uplinks
- Access Concentrators
- WAN and edge ATM switches.
- LAN switches and hubs.
- Layer 3 switches.
- Multiservice switches (FR, ATM, IP, etc..).

3 REFERENCES

- Bell Communications Research - GR-253-CORE "SONET Transport Systems: Common Generic Criteria", Issue 2, December 1995.
- Bell Communications Research - GR-436-CORE "Digital Network Synchronization Plan", Issue 1 Revision 1, June 1996..
- ITU-T Recommendation G.703 - "Physical/Electrical Characteristics of Hierarchical Digital Interfaces", 1991.
- ITU-T Recommendation G.704 - "General Aspects of Digital Transmission Systems; Terminal Equipment - Synchronous Frame Structures Used At 1544, 6312, 2048, 8488 and 44 736 kbit/s Hierarchical Levels", July, 1995.
- ITU, Recommendation G.707 - "Network Node Interface For The Synchronous Digital Hierarchy", 1996.
- ITU Recommendation G781, "Structure of Recommendations on Equipment for the Synchronous Design Hierarchy (SDH)", January 1994.
- ITU, Recommendation G.783 - "Characteristics of Synchronous Digital Hierarchy (SDH) Equipment Functional Blocks", 1996.
- ITU Recommendation I.432, "ISDN User Network Interfaces", March 93.
- ATM Forum - ATM User-Network Interface Specification, V3.1, October, 1995.
- ATM Forum - "UTOPIA, An ATM PHY Interface Specification, Level 2, Version 1", June, 1995.
- IETF Network Working Group – RFC-1619 "Point to Point Protocol (PPP) over SONET/SDH Specification", May 1994.
- IETF Network Working Group - RFC-1661 "The Point to Point Protocol (PPP)", July 1994.
- IETF Network Working Group - RFC-1662 "PPP in HDLC like framing", July 1994.

- PMC-971147 “Saturn Compliant Interface for Packet over SONET Physical Layer and Link Layer Devices, Level 2”, Issue 3, February 1998.
- PMC-950820 “SONET/SDH Bit Error Threshold Monitoring Application Note”, Issue 2, September 1998.

4 DATASHEET OVERVIEW

The PM5352 S/UNI-STAR is functionally equivalent to a single channel PM5351 S/UNI-TETRA (TETRA channel #4). The devices are software compatible and pin compatible. This datasheet provides a complete pin-out description for the S/UNI-STAR, as well as any differences between these devices (including boundary scan register, test mode 0 register). For a complete functional and register description, please refer to the PMC-971240.

5 PIN DIAGRAM

The S/UNI-STAR is available in a 304 pin SBGA package having a body size of 31 mm by 31 mm and a ball pitch of 1.27 mm.

	23	22	21	20	19	18	17	16	15	14	13	12	11	10	9	8	7	6	5	4	3	2	1	
A	VDD	VSS	TDAT[12]	TDAT[15]	PHY_OEN	VSS	D[2]	VSS	A[0]	A[3]	A[7]	VSS	A[10]	WRB	TDO	VSS	NC	VSS	NC	RAVD1_B	RAVS1_B	VSS	VDD	
B	VSS	VDD	VSS	TDAT[13]	STPA	NC	D[1]	D[4]	D[6]	A[2]	A[6]	A[9]	CSB	RSTB	TMS	TCK	NC	NC	QAVS_2	NC	VSS	VDD	VSS	
C	TDAT[7]	VSS	VDD	TDAT[10]	TDAT[14]	TEOP	BIAS	D[3]	D[5]	A[1]	A[5]	A[8]	ALE	INTB	TRSTB	NC	NC	QAVD_2	NC	RAVD1_C	VDD	VSS	NC	
D	TDAT[4]	TDAT[6]	TDAT[9]	VDD	TDAT[11]	VDD	TERR	D[0]	VDD	D[7]	A[4]	VDD	RDB	TDI	VDD	NC	NC	VDD	RAVS1_C	VDD	NC	NC	VSS	
E	TDAT[0]	TDAT[3]	TDAT[5]	TDAT[8]	BOTTOM VIEW																NC	VSS	VSS	NC
F	VSS	TMOD	TDAT[2]	VDD																	VDD	RAVS1_A	NC	VSS
G	VDD	TADR[0]	TADR[2]	TDAT[1]																	RAVD1_A	NC	VSS	VSS
H	VSS	TPRTY	VDD	TADR[1]																	NC	RAVS2_A	RAVD2_A	VSS
J	TCA/PTPA	TENB	TSOC/TSOP	VDD																	VDD	VSS	NC	RAVD2_C
K	NC	DTCA/DTPA	BIAS	TFCLK																	RAVS2_C	RAVS2_B	NC	NC
L	REOP	RERR	NC	NC																	RAVD2_B	TAVD1_A	TAVS1_A	TAVD1_B
M	VSS	RVAL	DRCA/DRPA	VDD																	VDD	TAVS1_B	RAVD3_B	VSS
N	NC	NC	NC	RCA/PRPA																	RAVD3_C	RAVS3_B	NC	NC
P	RSOC/RSOP	RENB	RFCLK	RADR[1]																	ATB2	ATB1	ATB0	RAVS3_C
R	RADR[2]	RADR[0]	VDD	VDD																	VDD	NC	NC	ATB3
T	VSS	VDD	RPRTY	RDAT[13]																	RAVS3_A	NC	NC	VSS
U	RDAT[15]	RDAT[14]	RDAT[12]	RDAT[9]																	TXCP	VSS	RAVD3_A	NC
V	VSS	RDAT[11]	RDAT[8]	VDD																	VDD	TXCN	VSS	VSS
W	RDAT[10]	RDAT[7]	RDAT[5]	RDAT[2]																	RAVS4_A	SD	TXDP	VSS
Y	RDAT[6]	RDAT[4]	RDAT[1]	VDD																	RMOD	VDD	NC	NC
AA	RDAT[3]	VSS	VDD	RDAT[0]	NC	NC	NC	RLD	NC	NC	NC	NC	TLDCLK	TSDCLK	TLD	VSS	VSS	QAVD_1	C-	RAVD4_C	VDD	VSS	Rx+	
AB	VSS	VDD	VSS	NC	RLDCLK	RSD	NC	NC	RALRM	RCLK	RFPO	NC	TFPO	NC	NC	VSS	TSD	VSS	QAVS_1	C+	VSS	VDD	VSS	
AC	VDD	VSS	RSCLK	NC	NC	VSS	NC	VSS	NC	NC	NC	VSS	TCLK	NC	NC	VSS	VSS	VSS	REFCLK	RAVD4_B	RAVS4_B	VSS	VDD	

6 PIN DESCRIPTION

6.1 Line Side Interface Signals

Pin Name	Type	Pin No.	Function
REFCLK	Input	AC5	<p>The reference clock input (REFCLK) must provide a jitter-free 19.44 MHz reference clock. It is used as the reference clock by both clock recovery and clock synthesis circuits.</p> <p>When the WAN Synchronization controller is used, REFCLK is supplied using a VCXO. In this application, the transmit direction can be looped timed to any of the line receivers in order to meet wander transfer and holdover requirements.</p> <p>.</p>
RXD+ RXD-	Differential PECL inputs	AA1 Y2	<p>The receive differential data inputs (RXD+, RXD-) contain the NRZ bit serial receive stream. The receive clock is recovered from the RXD+/- bit stream. Please refer to the Operation section for a discussion of PECL interfacing issues.</p>
SD	Single-Ended PECL Input	W3	<p>The Signal Detect pin (SD) indicates the presence of valid receive signal power from the Optical Physical Medium Dependent Device. A PECL high indicates the presence of valid data and a PECL low indicates a loss of signal. It is mandatory that SD be terminated into the equivalent network that RXD+/- is terminated into.</p> <p>.</p>
RCLK	Output	AB14	<p>The receive byte clock (RCLK) provides a timing reference for the S/UNI-STAR receive outputs. RCLK is a divide by eight of the recovered line rate clock (19.44 MHz).</p> <p>.</p>

Pin Name	Type	Pin No.	Function
RFPO	Output	AB13	The Receive Frame Pulse Output (RFPO), when the framing alignment is found (the OOF register bit is logic zero), is an 8 kHz signal derived from the receive line clock. RFPO pulses high for one RCLK cycle every 2430 RCLK cycles (STS-3c (STM-1)). RFPO is updated on the rising edge of RCLK.
RALRM	Output	AB15	The Receive Alarm (RALRM) output indicates the state of the receive framing. RALRM is low if no receive alarms are active. RALRM is high if line AIS (LAIS), path AIS (PAIS), line RDI (LRDI), path RDI (PRDI), enhanced path RDI (PERDI), loss of signal (LOS), loss of frame (LOF), out of frame (OOF), loss of pointer (LOP), loss of cell delineation (LCD), signal fail BER (SFBER), signal degrade BER (SDBER), path trace identification mismatch (TIM), path signal label mismatch (PSLM) is detected in the channel. Each alarm can be individually enabled using bits in the S/UNI-STAR Channel Alarm Control registers #1 and #2. RALRM is updated on the rising edge of RCLK.
TXD+ TXD-	Differential TTL output (externally converted to PECL)	W2 Y1	The transmit differential data outputs (TXD+, TXD-) contain the 155.52 Mbit/s transmit stream.
TXC+ TXC-	Differential TTL output (externally converted to PECL)	U4 V3	The transmit differential clock outputs (TXC+, TXC-) contain the 155.52 Mbit/s transmit clock. TXC+/- must be enabled by setting the TXC_OE register bit to logic one.

Pin Name	Type	Pin No.	Function
TFPI	Input	Y7	<p>The active high framing position (TFPI) signal is an 8 kHz timing marker for the transmitter. TFPI is used to align the SONET/SDH transport frame generated by the S/UNI-STAR device to a system reference. TFPI is internally used to align a master frame pulse counter. When TFPI is not used, this counter is free-running.</p> <p>TFPI should be brought high for a single TCLK period every 2430 (STS-3c (STM-1)) TCLK cycles, or a multiple thereof. TFPI shall be tied low if such synchronization is not required. TFPI cannot be used as an input to a loop-timed channel. For TFPI to operate correctly it is required that the TCLK/TFPO output be configured to output the CSU byte clock.</p> <p>The TFPI_EN register bits allow use of the global framing pulse counter and TFPI for framing alignment.</p> <p>TFPI is sampled on the rising edge of TCLK, but only when the TTSEL register bit is set to logic zero. When TTSEL is set to logic one, TFPI is unused.</p>
TFPO	Output	AB11	<p>The Transmit Frame Pulse Output (TFPO) pulses high for one TCLK cycle every 2430 TCLK cycles and provides an 8 KHz timing reference. TFPO can be enabled using TFPO_CH[1:0] configuration register bits, with the restriction that the device must be self-timed (not in loop-timed or line-loopback modes). TFPO is updated on the rising edge of TCLK.</p>
TCLK	Output	AC11	<p>The transmit byte clock (TCLK) output provides a timing reference for the S/UNI-STAR self-timed channel. TCLK always provide a divide by eight of the synthesized line rate clock and thus has a nominal frequency of 19.44 MHz. TFPI is sampled on the rising edge of TCLK. TCLK does not apply to internally loop-timed channels, in which case RCLK provides transmit timing information.</p>

6.2 Section and Line Status DCC Signals

Pin Name	Type	Pin No.	Function
RSD	Output	AB18	The receive section DCC (RSD) signal contains the section data communications channel (D1-D3)
RSDCLK	Output	AC21	The receive section DCC clock (RSDCLK) is used to clock out the section DCC. RSDCLK is a 192 kHz clock used to update the RSD output. RSDCLK is generated by gapping a 216 kHz clock.
TSD	Input	AB7	The transmit section DCC (TSD) signal contains the section data communications channel (D1-D3). TSD is sampled on the rising edge of TSDCLK.
TSDCLK	Output	AA10	The transmit section DCC clock (TSDCLK) is used to clock in the section DCC. TSDCLK is a 192 kHz clock used to sample the TSD input. TSDCLK is generated by gapping a 216 kHz clock.
RLD	Output	AA16	The receive line DCC (RLD) signal contains the line data communications channel (D4-D12).
RLDCLK	Output	AB19	The receive line DCC clock (RLDCLK) is used to clock out the line DCC. RLDCLK is a 576 kHz clock used to update the RLD output. RLDCLK is generated by gapping a 2.16 MHz clock.
TLD	Input	AA9	The transmit line DCC (TLD) signal contains the line data communications channel (D4-D12). TLD is sampled on the rising edge of TLDCLK.
TLDCLK	Output	AA11	The transmit line DCC clock (TLDCLK) is used to clock in the line DCC. TLDCLK is a 576 kHz clock used to sample the TLD input. TLDCLK is generated by gapping a 2.16 MHz clock.

6.3 ATM (UTOPIA) and Packet over SONET (POS-PHY) System Interface

Pin Name	Type	Pin No.	Function
TDAT[15] TDAT[14] TDAT[13] TDAT[12] TDAT[11] TDAT[10] TDAT[9] TDAT[8] TDAT[7] TDAT[6] TDAT[5] TDAT[4] TDAT[3] TDAT[2] TDAT[1] TDAT[0]	Input (ATM)	A20 C19 B20 A21 D19 C20 D21 E20 C23 D22 E21 D23 E22 F21 G20 E23	UTOPIA Transmit Cell Data Bus (TDAT[15:0]). This data bus carries the ATM cell octets that are written to the selected transmit FIFO. TDAT[15:0] is considered valid only when TENB is simultaneously asserted and the S/UNI-STAR is selected via TADR[2:0]. TDAT[15:0] is sampled on the rising edge of TFCLK.
TDAT[15] TDAT[14] TDAT[13] TDAT[12] TDAT[11] TDAT[10] TDAT[9] TDAT[8] TDAT[7] TDAT[6] TDAT[5] TDAT[4] TDAT[3] TDAT[2] TDAT[1] TDAT[0]	Input (POS)	A20 C19 B20 A21 D19 C20 D21 E20 C23 D22 E21 D23 E22 F21 G20 E23	POS-PHY Transmit Packet Data Bus (TDAT[15:0]). This data bus carries the POS packet octets that are written to the selected transmit FIFO. TDAT[15:0] is considered valid only when TENB is simultaneously asserted and the S/UNI-STAR is selected via TADR[2:0]. TDAT[15:0] is sampled on the rising edge of TFCLK.

Pin Name	Type	Pin No.	Function
TPRTY	Input (ATM)	H22	<p>UTOPIA Transmit bus parity (TPRTY) signal.</p> <p>The transmit parity (TPRTY) signal indicates the parity of the TDATA[15:0] bus. A parity error is indicated by a status bit and a maskable interrupt. Cells with parity errors are inserted in the transmit stream, so the TPRTY input may be unused. Odd or even parity selection is made using the RXPTYP register bit.</p> <p>TPRTY is considered valid only when TENB is simultaneously asserted and the S/UNI-STAR is selected via TADR[2:0].</p> <p>TPRTY is sampled on the rising edge of TFCLK.</p>
TPRTY	Input (POS)	H22	<p>POS-PHY Transmit bus parity (TPRTY) signal.</p> <p>The transmit parity (TPRTY) signal indicates the parity of the TDATA[15:0] bus. A parity error is indicated by a status bit and a maskable interrupt. Packets with parity errors are inserted in the transmit stream, so the TPRTY input may be unused. Odd or even parity selection is made using the RXPTYP register bit. TPRTY is considered valid only when TENB is simultaneously asserted and the S/UNI-STAR is selected via TADR[2:0].</p> <p>TPRTY is sampled on the rising edge of TFCLK.</p>
TSOC	Input (ATM)	J21	<p>UTOPIA Transmit Start of Cell (TSOC) signal.</p> <p>The transmit start of cell (TSOC) signal marks the start of cell on the TDATA bus. When TSOC is high, the first word of the cell structure is present on the TDATA bus. It is not necessary for TSOC to be present for each cell. An interrupt may be generated if TSOC is high during any word other than the first word of the cell structure.</p> <p>TSOC is considered valid only when TENB is simultaneously asserted and the S/UNI-STAR is selected via TADR[2:0].</p> <p>TSOC is sampled on the rising edge of TFCLK.</p>

Pin Name	Type	Pin No.	Function
TSOP	Input (POS)	J21	<p>POS-PHY Transmit Start of Packet (TSOP) signals. TSOP indicates the first word of a packet. TSOP is required to be present at the beginning of every packet for proper operation.</p> <p>TSOP is considered valid only when TENB is simultaneously asserted and the S/UNI-STAR is selected via TADR[2:0].</p> <p>TSOP is sampled on the rising edge of TFCLK.</p>
TENB	Input (ATM)	J22	<p>UTOPIA Transmit Multi-PHY Write Enable (TENB) signal.</p> <p>The TENB signal is an active low input which is used along with the TADR[2:0] inputs to initiate writes to the transmit FIFO's.</p> <p>TENB works as follows. When sampled high, no write is performed, but the TADR[2:0] address is latched to identify the transmit FIFO to be accessed. When TENB is sampled low, the word on the TDAT bus is written into the transmit FIFO that is selected by the TADR[2:0] address bus. A complete 53 octet cell must be written to the transmit FIFO before it is inserted into the transmit stream. Idle cells are inserted when a complete cell is not available. While TENB is deasserted, TADR[2:0] can be used for polling TCA.</p> <p>TENB is sampled on the rising edge of TFCLK.</p>

Pin Name	Type	Pin No.	Function
TENB	Input (POS)	J22	<p>POS-PHY Transmit Multi-PHY Write Enable (TENB) signal.</p> <p>The S/UNI-STAR supports both byte-level and packet-level transfer. Packet-level transfer operates in a similar fashion to Utopia, with a selection phase when TENB is deasserted and a transfer phase when TENB is asserted. While TENB is asserted, TADR[2:0] is used for polling PTPA and the currently selected PHY status is provided on STPA. Byte level transfer works on a cycle basis. When TENB is asserted, data is transferred to the selected PHY. Nothing happens when TENB is deasserted. Polling is not available and packet availability is indicated by DTPA.</p> <p>TENB is sampled on the rising edge of TFCLK.</p>
TADR[2] TADR[1] TADR[0]	Input (ATM)	G21 H20 G22	<p>Transmit Address (TADR[2:0]). The TADR[2:0] bus is used for device selection and device polling in accordance with the Utopia Level 2 standard. When TADR[2:0] is set to the same value as the PHY_ADR[2:0] inputs than the transmit interface of this S/UNI-STAR is either being selected or polled. Note that the null-phy address 0x7 is an invalid Address and cannot be used to select the S/UNI-STAR.</p> <p>TADR[2:0] is sampled on the rising edge of TFCLK.</p>
TADR[2] TADR[1] TADR[0]	Input (POS)	G21 H20 G22	<p>POS-PHY Transmit Write Address (TADR[2:0]) signals.</p> <p>The TADR[2:0] bus is used to select the FIFO (and hence port) that is written to using the TENB signal. In packet level transfer mode, TADR[2:0] is also used for polling on PTPA.</p> <p>Note that address 0x7 is the null-PHY address and cannot be used to select the S/UNI-STAR.</p> <p>TADR[2:0] is sampled on the rising edge of TFCLK.</p>

Pin Name	Type	Pin No.	Function
TCA	Output (ATM)	J23	<p>UTOPIA Transmit multi-PHY Cell Available (TCA)</p> <p>The TCA signal indicates when a cell is available in the transmit FIFO for the port polled by TADR[2:0] when TENB is asserted. When high, TCA indicates that the transmit FIFO is not full and a complete cell may be written. When TCA goes low, it can be configured to indicate either that the transmit FIFO is near full or that the transmit FIFO is full. TCA will transition low on the rising edge of TFCLK after the Payload word 19 (TCALEVEL0=0) or 23 (TCALEVEL0=1) is sampled if the PHY being polled is the same as the PHY in use. To reduce FIFO latency, the FIFO depth at which TCA indicates "full" can be set to one, two, three or four cells. Note that regardless of what fill level TCA is set to indicate "full" at, the transmit cell processor can store 4 complete cells.</p> <p>TCA is tri-stated when either the null-PHY address (0x7) or an address not matching the address set by PHY_ADR[2:0] is latched from the TADR[2:0] inputs when TENB is high.</p> <p>TCA is updated on the rising edge of TFCLK.</p>

Pin Name	Type	Pin No.	Function
PTPA		J23	<p>POS-PHY Polled Transmit multi-PHY Packet Available (PTPA).</p> <p>PTPA transitions high when a programmable minimum number of bytes is available in the polled transmit FIFO (TPAHWM[7:0] register bits). Once high, PTPA indicates that the transmit FIFO is not full. When PTPA transitions low, it optionally indicates that the transmit FIFO is full or near full (TPALWM[7:0] register bits). PTPA allows to poll the PHY address selected by TADR[2:0] when TENB is asserted.</p> <p>PTPA is tri-stated when either the null-PHY address (0x7) or an address not matching the address set by PHY_ADR[2:0] is latched from the TADR[2:0] inputs when TENB is high.</p> <p>PTPA is only available in POS-PHY packet-level transfer mode, as selected by the POS_PLVL register bit. PTPA is tristated in byte-level transfer mode. PTPA is updated on the rising edge of TFCLK.</p>

Pin Name	Type	Pin No.	Function
STPA	Output (POS)	B19	<p>POS-PHY Selected multi-PHY Transmit Packet Available (STPA) signal.</p> <p>STPA transitions high when a predefined (TPAHWM[7:0] register bits) minimum number of bytes is available in the selected transmit FIFO (the FIFO that data is written into). Once high, STPA indicates that the transmit FIFO is not full. When STPA transitions low, it optionally indicates that the transmit FIFO is full or near full (TPALWM[7:0] register bits). STPA always provide status indication for the selected PHY in order to avoid FIFO overflows while polling is performed.</p> <p>The PHY Layer device shall tristate STPA when TENB is deasserted. STPA shall also be tristated when either the null-PHY address (0x7H) or an address not matching the address set by PHY_ADR[2:0] is presented on the TADR[2:0] signals when TENB is sampled high (deasserted during the previous clock cycle).</p> <p>STPA is only available in POS-PHY packet-level transfer mode, as selected by the POS_PLVL register bit. STPA is tristated in byte-level transfer mode. STPA is updated on the rising edge of TFCLK.</p>
TFCLK	Input (ATM)	K20	<p>UTOPIA Transmit FIFO Write Clock (TFCLK).</p> <p>This signal is used to write ATM cells to the four cell transmit FIFOs.</p> <p>TFCLK cycles at a 50 MHz or lower instantaneous rate.</p>
TFCLK	Input (POS)	K20	<p>POS-PHY Transmit FIFO Write Clock (TFCLK).</p> <p>This signal is used to write packet octets into the 256 bytes packet FIFO's.</p> <p>TFCLK cycles at a 50 MHz or lower instantaneous rate.</p>

Pin Name	Type	Pin No.	Function
DTCA	Output (ATM)	K22	<p>UTOPIA Direct Transmit Cell Available (DTCA).</p> <p>These output signals provide direct status indication of when a cell is available in the transmit FIFO for the corresponding port. When high, DTCA indicates that the corresponding transmit FIFO is not full and a complete cell may be written. When DTCA goes low, it can be configured to indicate either that the corresponding transmit FIFO is near full or that the corresponding transmit FIFO is full. DTCA will transition low on the rising edge of TFCLK after the Payload word 19 (TCALEVEL0=0) or 23 (TCALEVEL0=1) is sampled if the PHY being polled is the same as the PHY in use. To reduce FIFO latency, the FIFO depth at which DTCA indicates "full" can be set to one, two, three or four cells. Note that regardless of what fill level DTCA is set to indicate "full" at, the transmit cell processor can store 4 complete cells</p> <p>DTCA are updated on the rising edge of TFCLK.</p>

Pin Name	Type	Pin No.	Function
DTPA	Output (POS)	K22	<p>POS-PHY Direct Transmit Packet Available (DTPA). These output signals provide direct status indication of when some programmable number of bytes is available in the transmit FIFO, for the corresponding port. When transitioning high, DTPA indicates that the transmit FIFO has enough room to store data. The transition level is selected by the TXFP Transmit Packet Available Low Water-mark (TPALWM[7:0]) register. When DTPA transitions low, it indicates that the transmit FIFO is either full or near full as selected by the TXFP Transmit Packet Available High Water-mark (TPAHWM[7:0]) register. This last option provides the Link Layer system with some look ahead capability in order to avoid FIFO overruns and smoothly transition between PHY's.</p> <p>DTPA are updated on the rising edge of TFCLK.</p>
TMOD	Input (POS)	F22	<p>POS-PHY Transmit Word Modulo (TMOD) signal. TMOD indicates the size of the current word. TMOD is only used during the last word transfer of a packet, at the same time TEOP is asserted. During a packet transfer every word must be complete except the last word, which can be composed of 1 or 2 bytes. TMOD set high indicates a 1-byte word (present on MSB's, LSB's are discarded) while TMOD set low indicates a 2-byte word.</p> <p>TMOD is considered valid only when TENB is simultaneously asserted and the S/UNI-STAR is selected via TADR[2:0].</p> <p>TMOD is sampled on the rising edge of TFCLK.</p>

Pin Name	Type	Pin No.	Function
TEOP	Input (POS)	C18	<p>POS-PHY Transmit End of Packet (TEOP).</p> <p>The active high TEOP signal marks the end of a packet on the TDAT[15:0] bus. When TEOP is high, the last word of the packet is present on the TDAT[15:0] data bus and TMOD indicates how many bytes this last word is composed of. It is legal to set TSOP high at the same time TEOP is high. This provides support for one or two byte packets, as indicated by the value of TMOD.</p> <p>TEOP is considered valid only when TENB is simultaneously asserted and the S/UNI-STAR is selected via TADR[2:0].</p> <p>TEOP is sampled on the rising edge of TFCLK.</p>
TERR	Input (POS)	D17	<p>POS-PHY Transmit Error (TERR).</p> <p>The transmit error indicator (TERR) is used to indicate that the current packet must be aborted. TERR should only be asserted during the last word transfer of a packet. Packets marked with TERR will be appended with the abort sequence (0x7D-0x7E) when transmission.</p> <p>TERR is considered valid only when TENB is simultaneously asserted and the S/UNI-STAR is selected via TADR[2:0].</p> <p>TERR is sampled on the rising edge of TFCLK.</p>

Pin Name	Type	Pin No.	Function
RDAT[15] RDAT[14] RDAT[13] RDAT[12] RDAT[11] RDAT[10] RDAT[9] RDAT[8] RDAT[7] RDAT[6] RDAT[5] RDAT[4] RDAT[3] RDAT[2] RDAT[1] RDAT[0]	Output (ATM)	U23 U22 T20 U21 V22 W23 U20 V21 W22 Y23 W21 Y22 AA23 W20 Y21 AA20	<p>UTOPIA Receive Cell Data Bus (RDAT[15:0]).</p> <p>This data bus carries the ATM cells that are read from the receive FIFO selected by RADR[2:0]. RDAT[15:0] is tri-stated when RENB is high.</p> <p>RDAT[15:0] is tristated when RENB is high.</p> <p>RDAT[15:0] is also tristated when either the null-PHY address (0x7H) or an address not matching the address space is latched from the RADR[2:0] inputs when RENB is high.</p> <p>RDAT[15:0] is updated on the rising edge of RFCLK.</p>
RDAT[15] RDAT[14] RDAT[13] RDAT[12] RDAT[11] RDAT[10] RDAT[9] RDAT[8] RDAT[7] RDAT[6] RDAT[5] RDAT[4] RDAT[3] RDAT[2] RDAT[1] RDAT[0]	Output (POS)	U23 U22 T20 U21 V22 W23 U20 V21 W22 Y23 W21 Y22 AA23 W20 Y21 AA20	<p>POS-PHY Receive Packet Data Bus (RDAT[15:0]).</p> <p>This data bus carries the POS packet octets that are read from the selected receive FIFO. RDAT[15:0] is considered valid only when RVAL is asserted.</p> <p>RDAT[15:0] is tristated when RENB is high.</p> <p>RDAT[15:0] is also tristated when either the null-PHY address (0x7H) or an address not matching the address space is latched from the RADR[2:0] inputs.</p> <p>RDAT[15:0] is updated on the rising edge of RFCLK.</p>

Pin Name	Type	Pin No.	Function
RPRTY	Output (ATM)	T21	<p>UTOPIA Receive Parity (RPRTY).</p> <p>The receive parity (RPRTY) signal indicates the parity of the RDAT bus. RPRTY reflects the parity of RDAT[15:0]. Odd or even parity selection is made by using the RXPTYP register bit (in ATM cell processors, the four RXCP shall be programmed with the same parity setting). RPRTY is tristated when RENB is high. RPRTY is also tristated when either the null-PHY address (0x7H) or an address not matching the address space is latched from the RADR[2:0] inputs when RENB is high.</p> <p>RPRTY is updated on the rising edge of RFCLK.</p>
RPRTY	Output (POS)	T21	<p>POS-PHY Receive Parity (RPRTY).</p> <p>The receive parity (RPRTY) signal indicates the parity of the RDAT bus. Odd or even parity selection is made by using the RXPTYP register bit (in POS Frame Processors; the four RXFP shall be programmed with the same parity setting). RPRTY is tristated when RENB is high. RPRTY is also tristated when either the null-PHY address (0x7H) or an address not matching the address space is latched from the RADR[2:0] inputs.</p> <p>RPRTY is updated on the rising edge of RFCLK.</p>
RSOC	Output (ATM)	P23	<p>UTOPIA Receive Start of Cell (RSOC).</p> <p>RSOC marks the start of cell on the RDAT bus.</p> <p>RSOC is tristated when RENB is deasserted. RSOC is also tristated when either the null-PHY address (0x7H) or an address not matching the address space is latched from the RADR[2:0] inputs when RENB is high.</p> <p>RSOC is sampled on the rising edge of RFCLK.</p>

Pin Name	Type	Pin No.	Function
RSOP	Output (POS)	P23	<p>POS-PHY Receive Start of Packet (RSOP). RSOP marks the first word of a packet transfer. RSOP is tristated when RENB is deasserted. RSOP is also tristated when either the null-PHY address (0x7H) or an address not matching the address space is latched from the RADR[2:0] inputs. RSOP/RSOP is sampled on the rising edge of RFCLK</p>
RENB	Input (ATM)	P22	<p>UTOPIA Receive multi-PHY Read Enable (RENB). The RENB signal is used to initiate reads from the receive FIFO's. RENB works as follows. When RENB is sampled high, no read is performed and RDAT[15:0], RPRTY and RSOC are tristated, and the address on RADR[2:0] is latched to select the device or port for the next FIFO access. When RENB is sampled low, the word on the RDAT bus is read from the selected receive FIFO. RENB must operate in conjunction with RFCLK to access the FIFO's at a high enough rate to prevent FIFO overflows. The system may de-assert RENB anytime it is unable to accept another byte. RENB is sampled on the rising edge of RFCLK.</p>

Pin Name	Type	Pin No.	Function
RENB	Input (POS)	P22	<p>POS-PHY Receive multi-PHY Read Enable (RENB).</p> <p>The S/UNI-STAR supports both byte-level and packet-level transfer. Packet-level transfer operates as described above, with a selection phase when RENB is deasserted and a transfer phase when RENB is asserted. While RENB is asserted, RADR[2:0] is used for polling RPA. Byte level transfer works on a cycle basis. When RENB is asserted data is transferred from the selected PHY and RADR[2:0] is used to select the PHY. Nothing happens when RENB is deasserted. Polling is not possible; packet availability is directly indicated by DRPA.</p> <p>During a data transfer, RVAL shall be monitored since it will indicate if the data is valid. Once RVAL is deasserted, RENB or RADR[2:0] must be used to select a new PHY for data transfer.</p> <p>RENB must operate in conjunction with RFCLK to access the FIFO's at a high enough rate to prevent FIFO overflows. The system may de-assert RENB at anytime it is unable to accept another byte.</p> <p>RENB is sampled on the rising edge of RFCLK.</p>
RADR[2] RADR[1] RADR[0]	Input (ATM)	R23 P20 R22	<p>Receive Address (RADR[2:0]). The RADR[2:0] bus is used for device selection and device polling in accordance with the Utopia Level 2 standard. When RADR[2:0] is set to the same value as the PHY_ADR[2:0] inputs than the receive interface of this S/UNI-STAR is either being selected or polled. Note that the null phy address 7H is an invalid address and cannot be used to select the S/UNI-STAR.</p> <p>RADR[2:0] is sampled on the rising edge of TFCLK.</p>

Pin Name	Type	Pin No.	Function
RADR[2] RADR[1] RADR[0]	Input (POS)	R23 P20 R22	<p>POS-PHY Receive Read Address (RADR).</p> <p>The RADR signal is used to select the FIFO (and hence port) that is read from using the RENB signal.</p> <p>The RADR bus is used to select the FIFO (and hence port) that is written to using the TENB signal and the FIFO's whose packet available signal is visible on the PRPA polling output.</p> <p>Note that address 0x7H is the null-PHY address and will not be identified with the S/UNI-STAR.</p> <p>RADR is sampled on the rising edge of RFCLK.</p>
RCA	Output (ATM)	N20	<p>UTOPIA Receive multi-PHY Cell Available (RCA).</p> <p>RCA indicates when a cell is available in the receive FIFO (when the STAR is selected by RADR[2:0]). RCA can be configured to be de-asserted when either zero or four bytes remain in the selected/addressed FIFO. RCA will thus transition low on the rising edge of RFCLK after Payload word 24 (RCALEVEL0=1) or 19 (RCALEVEL0=0) is output if the PHY being polled is the same as the PHY in use.</p> <p>RCA is tristated when either the null-PHY address (0x7H) or an address not matching the device address is latched from the RADR[2:0] inputs when RENB is high.</p> <p>RCA is updated on the rising edge of RFCLK.</p>

Pin Name	Type	Pin No.	Function
PRPA	Output (POS)	N20	<p>POS-PHY Polled multi-PHY Receive Packet Available (PRPA) signal.</p> <p>PRPA indicates when data is available in the polled receive FIFO. When PRPA is high, the receive FIFO has at least one end of packet or a predefined number of bytes to be read (the number of bytes might be user programmable). PRPA is low when the receive FIFO fill level is below the assertion threshold and the FIFO contains no end of packet.</p> <p>PRPA allows to poll every PHY while transferring data from the selected PHY.</p> <p>PRPA is driven by a PHY layer device when its address is polled on RADR[2:0]. A PHY layer device shall tristate PRPA when either the null-PHY address (0x7H) or an address not matching the address set by the PHY_ADR[2:0] register bits is provided on RADR[2:0].</p> <p>PRPA is only available in POS-PHY packet-level transfer mode, as selected by the POS_PLVL register bit. PRPA is tristated in byte-level transfer mode. PRPA is updated on the rising edge of RFCLK.</p>

Pin Name	Type	Pin No.	Function
RVAL	Output (POS)	M22	<p>POS-PHY Receive Data Valid (RVAL).</p> <p>RVAL indicates the validity of the receive data signals. When RVAL is high, the Receive signals (RDAT, RSOP, REOP, RMOD, RPRTY and RERR) are valid. When RVAL is low, all Receive signals are invalid and must be disregarded. RVAL will transition low on a FIFO empty condition or on an end of packet. . No data will be removed from the receive FIFO while RVAL is deasserted. Once deasserted, RVAL will remain deasserted until the current PHY is deselected.</p> <p>RVAL allows to monitor the selected PHY during a data transfer, while monitoring other PHY's is done using DRPA.</p> <p>RVAL is tristated when RENB is deasserted. RVAL is also tristated when either the null-PHY address (0x7H) or an address not matching the PHY layer device address is presented on the RADR[2:0] signals.</p> <p>RVAL is updated on the rising edge of RFCLK.</p>
RFCLK	Input (ATM)	P21	<p>UTOPIA Receive FIFO Read Clock (RFCLK).</p> <p>RFCLK is used to read ATM cells from the receive FIFO's. RFCLK must cycle at a 50 MHz or lower instantaneous rate, but at a high enough rate to avoid FIFO overflows.</p>
RFCLK	Input (ATM)	P21	<p>POS-PHY Receive FIFO Read Clock (RFCLK).</p> <p>This signal is used to read packets from the receive FIFO's. RFCLK must cycle at a 50 MHz or lower instantaneous rate, but at a high enough rate to avoid FIFO overflows.</p>

Pin Name	Type	Pin No.	Function
DRCA	Output (ATM)	M21	<p>UTOPIA Direct Receive Cell Available (DRCA).</p> <p>These output signals provides direct status indication of when a cell is available in the receive FIFO for the corresponding port. DRCA can be configured to be de-asserted when either zero or four bytes remain in the selected/addressed FIFO. DRCA will thus transition low on the rising edge of RFCLK after Payload word 24 (RCALEVEL0=1) or 19 (RCALEVEL0=0) is output if the PHY being polled is the same as the PHY in use.</p> <p>DRCA[x] is updated on the rising edge of RFCLK.</p>
DRPA	Output (POS)	M21	<p>POS-PHY Direct Receive Packet Available</p> <p>DRPA provides a direct status indication. DRPA indicates when data is available in the receive FIFO. When DRPA is high, the receive FIFO has at least one end of packet or a programmable minimum number of bytes to be read. DRPA is otherwise low. The polarity of DRPA can be inverted with the RPAINV register bit.</p> <p>DRPA is updated on the rising edge of RFCLK.</p>
RMOD	Output (POS)	Y19	<p>POS-PHY Receive Modulo (RMOD).</p> <p>The RMOD signal indicates the number of bytes carried by the RDAT[15:0] bus during the last word of a packet transfer. During a packet transfer every word must be complete except the last word which can be composed of 1 or 2 bytes. RMOD set high indicate a single byte word (present on MSB's, LSB's are discarded) while RMOD set low indicates a two byte word. RMOD is only used in POS mode.</p> <p>RMOD is tristated when RENB is deasserted. RMOD is also tristated when either the null-PHY address (0x7H) or an address not matching the address space set by PHY_ADR[2:0] is latched from the RADR[2:0] inputs when RENB is high.</p> <p>RMOD is updated on the rising edge of RFCLK.</p>

Pin Name	Type	Pin No.	Function
REOP	Output (POS)	L23	<p>POS-PHY Receive End Of Packet (REOP).</p> <p>The REOP signal marks the end of packet on the RDAT[15:0] bus. When the RXFP-50 is selected, REOP is set high to mark the last word of the packet presented on the RDAT[15:0] bus. During this same cycle RMOD is used to indicate if the last word has 1 or 2 bytes. It is legal to set RSOP high at the same time REOP is high. This provides support for one or two bytes packets, as indicated by the value of RMOD. REOP is only used in POS mode.</p> <p>REOP is tristated when RENB is deasserted. REOP is also tristated when either the null-PHY address (0x7H) or an address not matching the address space is latched from the RADR[2:0] inputs when RENB is high.</p> <p>REOP is updated on the rising edge of RFCLK.</p>
RERR	Output (POS)	L22	<p>POS-PHY Receive Error (RERR).</p> <p>The RERR signal indicates that the current packet is aborted. RERR can only be asserted during the last word transfer, at the same time REOP is asserted. RERR is only used in POS mode.</p> <p>RERR is tristated when RENB is deasserted. RERR is also tristated when either the null-PHY address (0x7H) or an address not matching the address space is latched from the RADR[2:0] inputs when RENB is high.</p> <p>RERR is updated on the rising edge of RFCLK.</p>

Pin Name	Type	Pin No.	Function
PHY_OEN	Input (ATM/ POS)	A19	<p>The PHY Output Enable (PHY_OEN) signal controls the operation of the system interface. When set to logic zero, all System Interface outputs are held tristate. When PHY_OEN is set to logic one, the interface is enabled. PHY_OEN can be overwritten by the PHY_EN Master System Interface Configuration register bit. PHY_OEN and PHY_EN are OR'ed together to enable the interface.</p> <p>When the S/UNI-STAR is the only PHY layer device on the bus, PHY_OEN can safely be tied to logic one. When the S/UNI-STAR shares the bus with other devices, then PHY_OEN <u>must</u> be tied to logic zero, and the PHY_EN register bit used to enable the bus once its PHY_ADR[2:0] is programmed in order to avoid conflicts.</p>

6.4 Microprocessor Interface Signals

Pin Name	Type	Pin No.	Function
CSB	Input	B11	<p>The active-low chip select (CSB) signal is low during S/UNI-STAR register accesses.</p> <p>Note that when not being used, CSB must be tied high. If CSB is not required (i.e., registers accesses are controlled using the RDB and WRB signals only), CSB must be connected to an inverted version of the RSTB input.</p>
RDB	Input	D11	<p>The active-low read enable (RDB) signal is low during S/UNI-STAR register read accesses. The S/UNI-STAR drives the D[7:0] bus with the contents of the addressed register while RDB and CSB are low.</p>
WRB	Input	A10	<p>The active-low write strobe (WRB) signal is low during a S/UNI-STAR register write accesses. The D[7:0] bus contents are clocked into the addressed register on the rising WRB edge while CSB is low.</p>

Pin Name	Type	Pin No.	Function
D[0] D[1] D[2] D[3] D[4] D[5] D[6] D[7]	I/O	D16 B17 A17 C16 B16 C15 B15 D14	The bi-directional data bus D[7:0] is used during S/UNI-STAR register read and write accesses.
A[0] A[1] A[2] A[3] A[4] A[5] A[6] A[7] A[8] A[9]	Input	A15 C14 B14 A14 D13 C13 B13 A13 C12 B12	The address bus A[9:0] selects specific registers during S/UNI-STAR register accesses. Except for S/UNI-STAR global registers.
A[10]/TRS	Input	A11	The test register select (TRS) signal selects between normal and test mode register accesses. TRS is high during test mode register accesses, and is low during normal mode register accesses.
RSTB	Input pull-up	B10	The active-low reset (RSTB) signal provides an asynchronous S/UNI-STAR reset. RSTB is a Schmitt triggered input with an integral pull-up resistor.
ALE	Input pull-up	C11	The address latch enable (ALE) is active-high and latches the address bus A[7:0] when low. When ALE is high, the internal address latches are transparent. It allows the S/UNI-STAR to interface to a multiplexed address/data bus. ALE has an integral pull-up resistor.

Pin Name	Type	Pin No.	Function
INTB	Output Open-drain	C10	<p>The active-low interrupt (INTB) signal goes low when a S/UNI-STAR interrupt source is active and that source is unmasked. The S/UNI-STAR may be enabled to report many alarms or events via interrupts.</p> <p>Examples of interrupt sources are loss of signal (LOS), loss of frame (LOF), line AIS, line remote defect indication (LRDI) detect, loss of pointer (LOP), path AIS, path remote defect indication detect and others.</p> <p>INTB is tristated when the interrupt is acknowledged via an appropriate register access. INTB is an open drain output.</p>

6.5 JTAG Test Access Port (TAP) Signals

Pin Name	Type	Pin No.	Function
TCK	Input	B8	The test clock (TCK) signal provides timing for test operations that are carried out using the IEEE P1149.1 test access port.
TMS	Input pull-up	B9	The test mode select (TMS) signal controls the test operations that are carried out using the IEEE P1149.1 test access port. TMS is sampled on the rising edge of TCK. TMS has an integral pull-up resistor.
TDI	Input pull-up	D10	The test data input (TDI) signal carries test data into the S/UNI-STAR via the IEEE P1149.1 test access port. TDI is sampled on the rising edge of TCK. TDI has an integral pull-up resistor.
TDO	Tristate	A9	The test data output (TDO) signal carries test data out of the S/UNI-STAR via the IEEE P1149.1 test access port. TDO is updated on the falling edge of TCK. TDO is a tristate output which is inactive except when scanning of data is in progress.

Pin Name	Type	Pin No.	Function
TRSTB	Input pull-up	C9	The active-low test reset (TRSTB) signal provides an asynchronous S/UNI-STAR test access port reset via the IEEE P1149.1 test access port. TRSTB is a Schmitt triggered input with an integral pull-up resistor. Note that when not being used, TRSTB must be connected to the RSTB input.

6.6 Analog Signals

Pin Name	Type	Pin No.	Function
C+ C-	Analog	AB4 AA5	The analog CP and CN pins are provided for applications that must meet SONET/SDH jitter transfer specifications. A TBD nF ceramic capacitor can be attached across C+ and C-.
ATB0 ATB1 ATB2 ATB3	Analog I/O	P2 P3 P4 R1	The Analog Test Bus (ATB). These pins are used for manufacturing testing only and should be connected ground.

6.7 Power and Ground

Pin Name	Type	Pin No.	Function
BIAS	Bias Voltage	K21 C17	I/O Bias (BIAS). When tied to +5V via a 1 K Ω resistor, the BIAS input is used to bias the wells in the input and I/O pads so that the pads can tolerate 5V on their inputs without forward biasing internal ESD protection devices. When BIAS is tied to +3.3V, the inputs and bi-directional inputs will only tolerate 3.3V level inputs.

Pin Name	Type	Pin No.	Function
VDD	Power	A1 A23 B2 B22 C3 C21 D4 D6 D9 D12 D15 D18 D20 F4 F20 J4 J20 M4 M20 R4 R20 V4 V20 Y4 Y6 Y9 Y12 Y15 Y18 Y20 AA3 AA21 AB2 AB22 AC1 AC23 R21 T22 H21 G23	The digital power (VDD) pins should be connected to a well-decoupled +3.3 V DC supply.

Pin Name	Type	Pin No.	Function
VSS	Ground	A2 A6 A8 A12 A16 A18 A22 B1 B3 B21 B23 C2 C22 F1 F23 H1 H23 M1 M23 T1 T23 V1 V23 AA2 AA22 AB1 AB3 AB21 AB23 AC2 AC6 AC8 AC12 AC16 AC18 AC22	The digital ground (VSS) pins should be connected to ground.

Pin Name	Type	Pin No.	Function
VSS	Ground	- E2 D1 G1 G2 W1 V2 E3 J3 U3 AB6 AA7 Y8	The digital ground (VSS) pins should be connected to ground.
VSS	Ground	AC7 AA8 AB8	

Pin Name	Type	Pin No.	Function
N/C	No connect	- K23 L20 L21 N23 N22 N21 AA13 Y13 AC14 AA12 AB12 AC13 AA14 AC15 Y14 C1 D2 E1 F2 T2 U1 E4 D3 H4 G3 R3 R2 AB17 Y16 AA17 AC20 AA19 AB20 AB9 Y10 AC9	No connect

Pin Name	Type	Pin No.	Function
N/C	No connect	- AA15 AB16 AC17 AC19 Y17 AA18 AB10 AC10 Y11K 2 K1 N2 N1 B4 C5 T3 J2 D8 D7 C8 C7 B18 B7 B6 A7 A5.	No connect
QAVD	Analog Power	AA6 C6	The quiet analog power (QAVD) pins for the analog core. QAVD should be connected to analog +3.3V.
QAVS	Analog Ground	AB5 B5	The quiet analog ground (QAVS) pins for the analog core. QAVS should be connected to analog GND.

Pin Name	Type	Pin No.	Function
AVD	Analog Power	G4 A4 C4 H2 L4 J1 U2 M2 N4 Y3 AC4 AA4 L3 L1	The analog power (AVD) pins for the analog core. AVD should be connected to analog +3.3V.
AVS	Analog Ground	F3 A3 D5 H3 K3 K4 T4 N3 P1 W4 AC3 Y5 L2 M3	The analog ground (AVS) pins for the analog core. AVS should be connected to analog GND.

Notes on Pin Description:

1. All S/UNI-STAR inputs and bi-directionals present minimum capacitive loading and operate at TTL logic levels except: the SD, RXD+ and RXD- inputs which operate at pseudo-ECL (PECL) logic levels
2. The RDAT[7:0], RPRTY, RSOC, REOP, RMOD, RERR, RCA, TCA, TCLK and RCLK outputs have a 4 mA drive capability. The TXD+ and TXD- outputs are met to be terminated in a passive network and interface at PECL levels.

3. It is mandatory that every ground pin (VSS) be connected to the printed circuit board ground plane to ensure a reliable device operation.
4. It is mandatory that every power pin (VDD) be connected to the printed circuit board power plane to ensure a reliable device operation.
5. All analog power and ground can be sensitive to noise. They must be isolated from the digital power and ground. Care must be taken to decouple these pins from each other and all other analog power and ground pins.
6. Due to ESD protection structures in the pads it is necessary to exercise caution when powering a device up or down. ESD protection devices behave as diodes between power supply pins and from I/O pins to power supply pins. Under extreme conditions it is possible to blow these ESD protection devices or trigger latch up. **Please adhere to the recommended power supply sequencing as described in the OPERATION section of PM5351 S/UNI-TETRA datasheet.**
7. Some device pins can be made 5V tolerant by connecting the BIAS pins to a 5V power supply, while some other pins are 3.3V only. In summary, the system interface (ATM or POS) is 3.3V only while the microprocessor interface, SONET and line interfaces are 5V tolerant.
3.3V only I/O's:
RDATA[15:0], RSOC/RSOP, RPRTY, RENB, REOP, RMOD, RERR, RVAL,
TDATA[15:0], TSOC/TSOP, TPRTY, TENB, TEOP, TMOD, TERR,
RCA/RPA, DRCA/DRPA, TCA/PTPA, STPA, DTCA/DTPA,
RADR[3:0], TADR[3:0], PHY_OEN
5V tolerant I/O's:
REFCLK,
RCLK, RFPO, RALRM,
TCLK, TFPO, TFPI,
RSD, RSDCLK, TSD, TSDCLK, RLD, RLDCLK, TLD, TLDCLK.,
D[7:0], A[10:0], WRB, RDB, CSB, RSTB, INTB, ALE,
TRSTB, TCK, TMS, TDI, TDO,

7 MICROPROCESSOR INTERFACE

The microprocessor interface block provides normal and test mode registers, and the logic required to connect to the microprocessor interface. The normal mode registers are required for normal operation, and test mode registers are used to enhance the testability of the S/UNI-STAR. The register set is accessed as shown in Table 1. In the following section every register is documented and identified using the register number (REG #).. Addresses that are not shown are not used and must be treated as Reserved.

Table 1: Register Memory Map

REG #	Address A[10:0]	Description
00	000	S/UNI-STAR Master Reset and Identity
01	001	S/UNI-STAR Master Configuration
02	002	S/UNI-STAR Master System Interface Config
03	003	S/UNI-STAR Master Clock Monitor
04	004	S/UNI-STAR Master Interrupt Status
05	305	S/UNI-STAR Channel Reset and Performance Monitoring Update
06	206	S/UNI-STAR Channel Configuration
07	307	S/UNI-STAR Channel Control
08	308	S/UNI-STAR Channel Control Extensions
09	309	Reserved
0A	30A	S/UNI-STAR Channel Interrupt Status 1
0B	30B	S/UNI-STAR Channel Interrupt Status 2
0C	00C	CSPI Control and Status (Clock Synthesis)
0D	00D	Reserved
0E	30E	CRSI Control and Status (Clock Recovery)
0F	30F	Reserved
10	310	RSOP Control/Interrupt Enable
11	311	RSOP Status/Interrupt Status
12	312	RSOP Section BIP-8 LSB
13	313	RSOP Section BIP-8 MSB
14	314	TSOP Control
15	315	TSOP Diagnostic
16	316	Reserved
17	317	Reserved
18	318	RLOP Control/Status
19	319	RLOP Interrupt Enable/Status
1A	31A	RLOP Line BIP-24 LSB

REG #	Address A[10:0]	Description
1B	31B	RLOP Line BIP-24
1C	31C	RLOP Line BIP-24 MSB
1D	31D	RLOP Line FEBE LSB
1E	31E	RLOP Line FEBE
1F	31F	RLOP Line FEBE MSB
20	320	TLOP Control
21	321	TLOP Diagnostic
22	322	TLOP Transmit K1
23	323	TLOP Transmit K2
24	324	S/UNI-STAR Channel Transmit Synchronization Message (S1)
25	325	S/UNI-STAR Channel Transmit J0/Z0
26	326	Reserved
27	327	Reserved
28	328	SSTB Control
29	329	SSTB Status
2A	32A	SSTB Indirect Address
2B	32B	SSTB Indirect Data
2C	32C	Reserved
2D	32D	Reserved
2E	32E	Reserved
2F	32F	Reserved
30	330	RPOP Status/Control (EXTD=0)
30	330	RPOP Status/Control (EXTD=1)
31	331	RPOP Interrupt Status (EXTD=0)
31	331	RPOP Interrupt Status (EXTD=1)
32	332	RPOP Pointer Interrupt Status
33	333	RPOP Interrupt Enable (EXTD=0)
33	333	RPOP Interrupt Enable (EXTD=1)
34	334	RPOP Pointer Interrupt Enable
35	335	RPOP Pointer LSB
36	336	RPOP Pointer MSB and RDI Filter Control
37	337	RPOP Path Signal Label
38	338	RPOP Path BIP-8 LSB
39	339	RPOP Path BIP-8 MSB
3A	33A	RPOP Path FEBE LSB
3B	33B	RPOP Path FEBE MSB
3C	33C	RPOP Auxiliary RDI
3D	33D	RPOP Path BIP-8 Configuration
3E	33E	Reserved
3F	33F	Reserved

REG #	Address A[10:0]	Description
40	340	TPOP Control/Diagnostic
41	341	TPOP Pointer Control
42	342	Reserved
43	343	TPOP Current Pointer LSB
44	344	TPOP Current Pointer MSB
45	345	TPOP Arbitrary Pointer LSB
46	346	TPOP Arbitrary Pointer MSB
47	347	TPOP Path Trace
48	348	TPOP Path Signal Label
49	349	TPOP Path Status
4A	34A	Reserved
4B	34B	Reserved
4C	34C	Reserved
4D	34D	Reserved
4E	34E	Reserved
4F	34F	Reserved
50	350	SPTB Control
51	351	SPTB Status
52	352	SPTB Indirect Address
53	353	SPTB Indirect Data
54	354	SPTB Expected Path Signal Label
55	355	SPTB Path Signal Label Status
56	356	SPTB Reserved
57	357	SPTB Reserved
58	358	Reserved
59	359	Reserved
5A	35A	Reserved
5B	35B	Reserved
5C	35C	Reserved
5D	35D	Reserved
5E	35E	Reserved
5F	35F	Reserved
60	360	RXCP Configuration 1
61	361	RXCP Configuration 2
62	362	RXCP FIFO/UTOPIA Control & Config
63	363	RXCP Interrupt Enables and Counter Status
64	364	RXCP Status/Interrupt Status
65	365	RXCP LCD Count Threshold (MSB)
66	366	RXCP LCD Count Threshold (LSB)
67	367	RXCP Idle Cell Header Pattern
68	368	RXCP Idle Cell Header Mask

REG #	Address A[10:0]	Description
69	369	RXCP Corrected HCS Error Count
6A	36A	RXCP Uncorrected HCS Error Count
6B	36B	RXCP Received Cell Count LSB
6C	36C	RXCP Received Cell Count
6D	36D	RXCP Received Cell Count MSB
6E	36E	RXCP Idle Cell Count LSB
6F	36F	RXCP Idle Cell Count
70	370	RXCP Idle Cell Count MSB
71	371	Reserved
72	372	Reserved
73	373	Reserved
74	374	Reserved
75	375	Reserved
76	376	Reserved
77	377	Reserved
78	378	Reserved
79	379	Reserved
7A	37A	Reserved
7B	37B	Reserved
7C	37C	Reserved
7D	37D	Reserved
7E	37E	Reserved
7F	37F	Reserved
80	380	TXCP Configuration 1
81	381	TXCP Configuration 2
82	382	TXCP Transmit Cell Status
83	383	TXCP Interrupt Enable/Status
84	384	TXCP Idle Cell Header Control
85	385	TXCP Idle Cell Payload Control
86	386	TXCP Transmit Cell Counter LSB
87	387	TXCP Transmit Cell Counter
88	388	TXCP Transmit Cell Counter MSB
89	389	Reserved
8A	38A	Reserved
8B	38B	Reserved
8C	38C	Reserved
8D	38D	Reserved
8E	38E	Reserved
8F	38F	Reserved
90	390	S/UNI-STAR Channel Auto Line RDI Control
91	391	S/UNI-STAR Channel Auto Path RDI Control

REG #	Address A[10:0]	Description
92	392	S/UNI-STAR Channel Auto Enhanced Path RDI Control
93	393	S/UNI-STAR Channel Receive RDI and Enhanced RDI Control Extensions
94	394	S/UNI-STAR Channel Receive Line AIS Control
95	395	S/UNI-STAR Channel Receive Path AIS Control
96	396	S/UNI-STAR Channel Receive Alarm Control #1
97	397	S/UNI-STAR Channel Receive Alarm Control #2
98	398	Reserved
99	399	Reserved
9A	39A	Reserved
9B	39B	Reserved
9C	39C	Reserved
9D	39D	Reserved
9E	39E	Reserved
9F	39F	Reserved
A0	3A0	RXFP-50 Configuration
A1	3A1	RXFP-50 Configuration/Interrupt Enables
A2	3A2	RXFP-50 Interrupt Status
A3	3A3	RXFP-50 Minimum Packet Size
A4	3A4	RXFP-50 Maximum Packet Size (LSB)
A5	3A5	RXFP-50 Maximum Packet Size (MSB)
A6	3A6	RXFP-50 Receive Initiation Level
A7	3A7	RXFP-50 Receive Packet Available High Mark
A8	3A8	RXFP-50 Receive Byte Counter (LSB)
A9	3A9	RXFP-50 Receive Byte Counter
AA	3AA	RXFP-50 Receive Byte Counter
AB	3AB	RXFP-50 Receive Byte Counter (MSB)
AC	3AC	RXFP-50 Receive Frame Counter (LSB)
AD	3AD	RXFP-50 Receive Frame Counter
AE	3AE	RXFP-50 Receive Frame Counter (MSB)
AF	3AF	RXFP-50 Aborted Frame Count (LSB)
B0	3B0	RXFP-50 Aborted Frame Count (MSB)
B1	3B1	RXFP-50 FCS Error Frame Count (LSB)
B2	3B2	RXFP-50 FCS Error Frame Count (LSB)
B3	3B3	RXFP-50 Min Length Frame Count (LSB)
B4	3B4	RXFP-50 Min Length Frame Count (MSB)
B5	3B5	RXFP-50 Max Length Frame Count (LSB)
B6	3B6	RXFP-50 Max Length Frame Count (MSB)
B7	3B7	Reserved
B8	3B8	Reserved

REG #	Address A[10:0]	Description
B9	3B9	Reserved
BA	3BA	Reserved
BB	3BB	Reserved
BC	3BC	Reserved
BD	3BD	Reserved
BE	3BE	Reserved
BF	3BF	Reserved
C0	3C0	TXFP-50 Interrupt Enable/Status Configuration 1
C1	3C1	TXFP-50 Configuration 2
C2	3C2	TXFP-50 Control
C3	3C3	TXFP-50 Transmit Packet Available Low Water Mark
C4	3C4	TXFP-50 Transmit Packet Available High Water Mark
C5	3C5	TXFP-50 Transmit Byte Counter (LSB)
C6	3C6	TXFP-50 Transmit Byte Counter
C7	3C7	TXFP-50 Transmit Byte Counter
C8	3C8	TXFP-50 Transmit Byte Counter (MSB)
C9	3C9	TXFP-50 Transmit Frame Counter (LSB)
CA	3CA	TXFP-50 Transmit Frame Counter
CB	3CB	TXFP-50 Transmit Frame Counter (MSB)
CC	3CC	TXFP-50 Transmit User Aborted Frame Count (LSB)
CD	3CD	TXFP-50 Transmit User Aborted Frame Count (MSB)
CE	3CE	TXFP-50 Transmit Underrun Aborted Frame Count (LSB)
CF	3CF	TXFP-50 Transmit Underrun Aborted Frame Count (MSB)
D0	3D0	WANS Configuration Register
D1	3D1	WANS Interrupt & Status Register
D2	3D2	WANS Phase Word (LSB)
D3	3D3	WANS Phase Word
D4	3D4	WANS Phase Word
D5	3D5	WANS Phase Word (MSB)
D6	3D6	Reserved
D7	3D7	Reserved
D8	3D8	Reserved
D9	3D9	WANS Reference Period (LSB)
DA	3DA	WANS Reference Period (MSB)
DB	3DB	WANS Phase Counter Period (LSB)
DC	3DC	WANS Phase Counter Period (MSB)
DD	3DD	WANS Phase Average Period
DE	3DE	Reserved
DF	3DF	Reserved

REG #	Address A[10:0]	Description
E0	3E0	RASE Interrupt Enable
E1	3E1	RASE Interrupt Status
E2	3E2	RASE Configuration/Control
E3	3E3	RASE SF BERM Accumulation Period (LSB)
E4	3E4	RASE SF BERM Accumulation Period
E5	3E5	RASE SF BERM Accumulation Period (MSB)
E6	3E6	RASE SF BERM Saturation Threshold (LSB)
E7	3E7	RASE SF BERM Saturation Threshold (MSB)
E8	3E8	RASE SF BERM Declaring Threshold (LSB)
E9	3E9	RASE SF BERM Declaring Threshold (MSB)
EA	3EA	RASE SF BERM Clearing Threshold (LSB)
EB	3EB	RASE SF BERM Clearing Threshold (MSB)
EC	3EC	RASE SD BERM Accumulation Period (LSB)
ED	3ED	RASE SD BERM Accumulation Period
EE	3EE	RASE SD BERM Accumulation Period (MSB)
EF	3EF	RASE SD BERM Saturation Threshold (LSB)
F0	3F0	RASE SD BERM Saturation Threshold (MSB)
F1	3F1	RASE SD BERM Declaring Threshold (LSB)
F2	3F2	RASE SD BERM Declaring Threshold (MSB)
F3	3F3	RASE SD BERM Clearing Threshold (LSB)
F4	3F4	RASE SD BERM Clearing Threshold (MSB)
F5	3F5	RASE APS K1
F6	3F6	RASE APS K2
F7	3F7	RASE Synchronization Status S1
F8	3F8	Reserved
F9	3F9	Reserved
FA	3FA	Reserved
FB	3FB	Reserved
FC	3FC	Reserved
FD	3FD	Reserved
FE	3FE	Reserved
FF	3FF	Reserved
	400	S/UNI-STAR Master Test Register
	701	Reserved for Test
	-	
	7FF	

Notes on Register Memory Map:

- For all register accesses, CSB must be low.
 - Addresses that are not shown must be treated as Reserved.
- A[10] is the test register select (TRS) and should be set to logic zero for normal mode register access.

Register 0x01: S/UNI-STAR Master Configuration

Bit	Type	Function	Default
Bit 7	R/W	PECLV	0
Bit 6	R/W	Reserved	0
Bit 5	R/W	Reserved	0
Bit 4	R/W	Reserved	0
Bit 3	R/W	TXC_OE	0
Bit 2	R/W	Reserved	0
Bit 1	R/W	Reserved	1
Bit 0	R/W	Reserved	1

TXC_OE:

The differential line rate clock output enable (TXC_OE). TXC_OE enables the TXC+/- outputs. When TXC_OE is set to logic zero TXC+/- is not active (high impedance). When TXC_OE is set to logic one, TXC+/- provides a line rate clock output.

PECLV:

The PECL receiver input voltage (PECLV) bit configures the PECL receiver level shifter. When PECLV is set to logic zero, the PECL receivers are configured to operate with a 3.3V input voltage. When PECLV is set to logic one, the PECL receivers are configured to operate with a 5.0V input voltage.

Reserved:

The reserved bits must be programmed to their default value proper operation.

Register 0x03: S/UNI-STAR Master Clock Monitor

Bit	Type	Function	Default
Bit 7	R	RCLK	X
Bit 6	-	Reserved	X
Bit 5	-	Reserved	X
Bit 4	R	Reserved	X
Bit 3	R	TCLKA	X
Bit 2	R	RFCLKA	X
Bit 1	R	TFCLKA	X
Bit 0	R	REFCLKA	X

This register provides activity monitoring on S/UNI-STAR clocks. When a monitored clock signal makes a low to high transition, the corresponding register bit is set high. The bit will remain high until this register is read, at which point, all the bits in this register are cleared. A lack of transitions is indicated by the corresponding register bit reading low. This register should be read at periodic intervals to detect clock failures.

REFCLKA:

The REFCLK active (REFCLKA) bit monitors for low to high transitions on the REFCLK reference clock input. REFCLKA is set high on a rising edge of REFCLK, and is set low when this register is read.

TFCLKA:

The TFCLK active (TFCLKA) bit monitors for low to high transitions on the TFCLK transmit FIFO clock input. TFCLKA is set high on a rising edge of TFCLK, and is set low when this register is read.

RFCLKA:

The RFCLK active (RFCLKA) bit monitors for low to high transitions on the RFCLK receive FIFO clock input. RFCLKA is set high on a rising edge of RFCLK, and is set low when this register is read.

TCLKA:

The TCLK active (TCLKA) bit monitors for low to high transitions on the TCLK output. TCLKA is set high on a rising edge of TCLK, and is set low when this register is read.

RCLKA:

RCLK active (RCLKA) bit monitors for low to high transitions on the RCLK output. RCLKA is set high on a rising edge of RCLK, and is set low when this register is read.

8 OPERATIONS

8.1 Device initialization

The S/UNI-STAR needs to be initialized to reduce power consumption. The following sequence should be executed to ensure proper power consumption prior to operation of the device.

- 1 Write Register 0x00F with 0x0F
- 2 Write Register 0x10F with 0x0F
- 3 Write Register 0x20F with 0x0F
- 4 Write Register 0x001 with 0x33
- 5 Write Register 0x205 with 0x80
- 6 Write Register 0x007 with 0x01
- 7 Write Register 0x107 with 0X01

9 TEST FEATURES DESCRIPTION

Simultaneously asserting (low) the CSB, RDB and WRB inputs causes all digital output pins and the data bus to be held in a high-impedance state. This test feature may be used for board testing.

Test mode registers are used to apply test vectors during production testing of the S/UNI-STAR. Test mode registers (as opposed to normal mode registers) are selected when TRS (A[10]) is high.

Test mode registers may also be used for board testing. When all of the TSBs within the S/UNI-STAR are placed in test mode 0, device inputs may be read and device outputs may be forced via the microprocessor interface (refer to the section "Test Mode 0" for details).

In addition, the S/UNI-STAR also supports a standard IEEE 1149.1 five-signal JTAG boundary scan test port for use in board testing. All digital device inputs may be read and all digital device outputs may be forced via the JTAG test port.

Table 2: Test Mode Register Memory Map

Address	Register
0x000-0x3FF	Normal Mode Registers
0x400	Master Test Register
0x401-0x7FF	Reserved For Test

9.1 Master Test Register

Notes on Test Mode Register Bits:

1. Writing values into unused register bits has no effect. However, to ensure software compatibility with future, feature-enhanced versions of the product, unused register bits must be written with logic zero. Reading back unused bits can produce either a logic one or a logic zero; hence, unused register bits should be masked off by software when read.
2. Writable test mode register bits are not initialized upon reset unless otherwise noted.

Register 0x400: Master Test

Bit	Type	Function	Default
Bit 7		Unused	X
Bit 6	W	Reserved	X
Bit 5	W	PMCATST	X
Bit 4	W	PMCTST	X
Bit 3	W	DBCTRL	0
Bit 2	R/W	IOTST	0
Bit 1	W	HIZDATA	0
Bit 0	R/W	HIZIO	0

This register is used to enable S/UNI-STAR test features. All bits, except PMCTST, PMCATST and BYPASS are reset to zero by a reset of the S/UNI-STAR using either the RSTB input or the Master Reset register. PMCTST and BYPASS are reset when CSB is logic one. PMCATST is reset when both CSB is high and RSTB is low. PMCTST, PMCATST and BYPASS can also be reset by writing a logic zero to the corresponding register bit.

HIZIO, HIZDATA:

The HIZIO and HIZDATA bits control the tri-state modes of the S/UNI-STAR . While the HIZIO bit is a logic one, all output pins of the S/UNI-STAR except the data bus and output TDO are held tri-state. The microprocessor interface is still active. While the HIZDATA bit is a logic one, the data bus is also held in a high-impedance state which inhibits microprocessor read cycles. The HIZDATA bit is overridden by the DBCTRL bit.

IOTST:

The IOTST bit is used to allow normal microprocessor access to the test registers and control the test mode in each TSB block in the S/UNI-STAR for board level testing. When IOTST is a logic one, all blocks are held in test mode and the microprocessor may write to a block's test mode 0 registers to manipulate the outputs of the block and consequentially the device outputs (refer to the "Test Mode 0 Details" in the "Test Features" section).

DBCTRL:

The DBCTRL bit is used to pass control of the data bus drivers to the CSB pin. When the DBCTRL bit is set to logic one and either IOTST or PMCTST are logic one, the CSB pin controls the output enable for the data bus. While the DBCTRL bit is set, holding the CSB pin high causes the S/UNI-STAR to drive the data bus and holding the CSB pin low tri-states the data bus. The DBCTRL bit overrides the HIZDATA bit. The DBCTRL bit is used to measure the drive capability of the data bus driver pads.

PMCTST:

The PMCTST bit is used to configure the S/UNI-STAR for PMC's manufacturing tests. When PMCTST is set to logic one, the S/UNI-STAR microprocessor port becomes the test access port used to run the PMC "canned" manufacturing test vectors. The PMCTST bit is logically "ORed" with the IOTST bit, and can be cleared by setting CSB to logic one or by writing logic zero to the bit.

PMCATST:

The PMCATST bit is used to configure the analog portion of the S/UNI-STAR for PMC's manufacturing tests.

Reserved:

The reserved bit must be programmed to logic one for proper operation.

9.2 JTAG Test Port

The S/UNI-STAR JTAG Test Access Port (TAP) allows access to the TAP controller and the 4 TAP registers: instruction, bypass, device identification and boundary scan. Using the TAP, device input logic levels can be read, device outputs can be forced, the device can be identified and the device scan path can be bypassed. For more details on the JTAG port, please refer to the Operations section.

Table 3: Instruction Register (Length - 3 bits)

Instructions	Selected Register	Instruction Codes, IR[2:0]
EXTEST	Boundary Scan	000
IDCODE	Identification	001
SAMPLE	Boundary Scan	010

Instructions	Selected Register	Instruction Codes, IR[2:0]
BYPASS	Bypass	011
BYPASS	Bypass	100
STCTEST	Boundary Scan	101
BYPASS	Bypass	110
BYPASS	Bypass	111

Table 4: Identification Register

Length	32 bits
Version number	0H
Part Number	5351H
Manufacturer's identification code	0CDH
Device identification	053510CDH

Table 5: Boundary Scan Register (Length – 155 bits)

PIN/ENABLE	REG. BIT	CELL TYPE	ID	CONTROL
N/C	154	T	1	HIZ_OEB
N/C	153	T	0	HIZ_OEB
N/C	152	T	1	HIZ_OEB
RALRM	151	T	1	HIZ_OEB
RDAT[0]	150	T	0	RX_UTOPIA_OEB
RDAT[1]	149	T	0	RX_UTOPIA_OEB
RDAT[2]	148	T	1	RX_UTOPIA_OEB
RDAT[3]	147	T	1	RX_UTOPIA_OEB
RDAT[4]	146	T	0	RX_UTOPIA_OEB
RDAT[5]	145	T	0	RX_UTOPIA_OEB
RDAT[6]	144	T	0	RX_UTOPIA_OEB
RDAT[7]	143	T	0	RX_UTOPIA_OEB

PIN/ENABLE	REG. BIT	CELL TYPE	ID	CONTROL
RDAT[8]	142	T	1	RX_UTOPIA_OEB
RDAT[9]	141	T	0	RX_UTOPIA_OEB
RDAT[10]	140	T	0	RX_UTOPIA_OEB
RDAT[11]	139	T	0	RX_UTOPIA_OEB
RDAT[12]	138	T	1	RX_UTOPIA_OEB
RDAT[13]	137	T	0	RX_UTOPIA_OEB
RDAT[14]	136	T	1	RX_UTOPIA_OEB
RDAT[15]	135	T	0	RX_UTOPIA_OEB
RPRTY	134	T	1	RX_UTOPIA_OEB
Vdd	133	I	1	
Vdd	132	I	0	
RADR[0]	131	I	0	
RADR[1]	130	I	1	
RADR[2]	129	I	0	
RFCLK	128	I	1	
RENB	127	I	0	
RVAL	126	T	0	RX_UTOPIA_OEB
REOP	125	T	0	RX_UTOPIA_OEB
RERR	124	T	0	RX_UTOPIA_OEB
RSOC_RSOP	123	T	0	RX_UTOPIA_OEB
N/C	122	T	0	HIZ_OEB
N/C	121	T	0	HIZ_OEB
N/C	120	T	0	HIZ_OEB
DTCA_DTPA	119	T	0	HIZ_OEB
RCA_PRPA	118	T	0	RCA_PRPA_OEB
N/C	117	T	0	HIZ_OEB
N/C	116	T	0	HIZ_OEB
N/C	115	T	0	HIZ_OEB
DRCA_DRPA	114	T	0	HIZ_OEB

PIN/ENABLE	REG. BIT	CELL TYPE	ID	CONTROL
TCA_PTPA	113	T	0	TCA_PTPA_OEB
TFCLK	112	I	0	
TENB	111	I	0	
TSOC_TSOP	110	I	0	
TPRTY	109	I	0	
Vdd	108	I	0	
Vdd	107	I	0	
TADR[0]	106	I	0	
TADR[1]	105	I	0	
TADR[2]	104	I	0	
TMOD	103	I	0	
TDAT[0]	102	I	0	
TDAT[1]	101	I	0	
TDAT[2]	100	I	0	
TDAT[3]	99	I	0	
TDAT[4]	98	I	0	
TDAT[5]	97	I	0	
TDAT[6]	96	I	0	
TDAT[7]	95	I	0	
TDAT[8]	94	I	0	
TDAT[9]	93	I	0	
TDAT[10]	92	I	0	
TDAT[11]	91	I	0	
TDAT[12]	90	I	0	
TDAT[13]	89	I	0	
TDAT[14]	88	I	0	
TDAT[15]	87	I	0	
STPA	86	T	0	STPA_OEB
STPA_OEB	85	E	0	

PIN/ENABLE	REG. BIT	CELL TYPE	ID	CONTROL
TEOP	84	I	0	
TERR	83	I	0	
PHY_OEN	82	I	0	
D_OEB[0]	81	E	0	
D[0]	80	B	0	D_OEB[0]
D_OEB[1]	79	E	0	
D[1]	78	B	0	D_OEB[1]
D_OEB[2]	77	E	0	
D[2]	76	B	0	D_OEB[2]
D_OEB[3]	75	E	0	
D[3]	74	B	0	D_OEB[3]
D_OEB[4]	73	E	0	
D[4]	72	B	0	D_OEB[4]
D_OEB[5]	71	E	0	
D[5]	70	B	0	D_OEB[5]
D_OEB[6]	69	E	0	
D[6]	68	B	0	D_OEB[6]
D_OEB[7]	67	E	0	
D[7]	66	B	0	D_OEB[7]
A[0]	65	I	0	
A[1]	64	I	0	
A[2]	63	I	0	
A[3]	62	I	0	
A[4]	61	I	0	
A[5]	60	I	0	
A[6]	59	I	0	
A[7]	58	I	0	
A[8]	57	I	0	
A[9]	56	I	0	

PIN/ENABLE	REG. BIT	CELL TYPE	ID	CONTROL
A[10]	55	I	0	
CSB	54	I	0	
ALE	53	I	0	
RDB	52	I	0	
WRB	51	I	0	
RSTB	50	I	0	
INTB	49	O	0	
HIZ_OEB	48	E	0	
RX_UTOPIA_OEB	47	E	0	
TCA_PTPA_OEB	46	E	0	
RCA_PRPA_OEB	45	E	0	
TFPI	44	I	0	
REFCLK	43	I	0	
Vss	42	I	0	
Vss	41	I	0	
Vss	40	I	0	
TSD	39	I	0	
Vss	38	I	0	
Vss	37	I	0	
Vss	36	I	0	
TLD	35	I	0	
N/C	34	T	0	HIZ_OEB
N/C	33	T	0	HIZ_OEB
N/C	32	T	0	HIZ_OEB
TSDCLK	31	T	0	HIZ_OEB
N/C	30	T	0	HIZ_OEB
N/C	29	T	0	HIZ_OEB

PIN/ENABLE	REG. BIT	CELL TYPE	ID	CONTROL
N/C	28	T	0	HIZ_OEB
TLDCCLK	27	T	0	HIZ_OEB
TFPO	26	T	0	HIZ_OEB
TCLK	25	T	0	HIZ_OEB
N/C	24	T	0	HIZ_OEB
N/C	23	T	0	HIZ_OEB
N/C	22	T	0	HIZ_OEB
RFPO	21	T	0	HIZ_OEB
N/C	20	T	0	HIZ_OEB
N/C	19	T	0	HIZ_OEB
N/C	18	T	0	HIZ_OEB
RCLK	17	T	0	HIZ_OEB
N/C	16	T	0	HIZ_OEB
N/C	15	T	0	HIZ_OEB
N/C	14	T	0	HIZ_OEB
RLD	13	T	0	HIZ_OEB
N/C	12	T	0	HIZ_OEB
N/C	11	T	0	HIZ_OEB
N/C	10	T	0	HIZ_OEB
RSD	9	T	0	HIZ_OEB
N/C	8	T	0	HIZ_OEB
N/C	7	T	0	HIZ_OEB
N/C	6	T	0	HIZ_OEB
RLDCLK	5	T	0	HIZ_OEB
N/C	4	T	0	HIZ_OEB
N/C	3	T	0	HIZ_OEB
N/C	2	T	0	HIZ_OEB
RSDCLK	1	T	0	HIZ_OEB
RMOD	0	T	0	RX_UTOPIA_OEB

NOTES:

1. N/C specifies a BSC that is present but not bonded out to a package pin.
2. Vdd and Vss specify BSCs that are connected to device pins which are permanently tied to Vdd and Vss respectively.
3. D_OENB[7:0] is the active low output enable for D[7:0].
4. RX_UTOPIA_OEB is the active low output enable for RSOC/RSOP, RDATA[15:0], RXPRTY, RMOD, RERR, RVAL.
5. TCA_PTPA_OEB is the active low output enable for TCA/PTPA.
6. RCA_PRPA_OEB is the active low output enable for RCA/PRPA.
7. STPA_OEB is the active low output enable for STPA.
8. When set high, INTB will be set to high impedance.
9. HIZ_OEB is the active low output enable for all OUT_CELL types except those listed above.
10. A[7] is the first bit of the boundary scan chain.

9.2.1 Boundary Scan Cells

In the following diagrams, CLOCK-DR is equal to TCK when the current controller state is SHIFT-DR or CAPTURE-DR, and unchanging otherwise. The multiplexer in the center of the diagram selects one of four inputs, depending on the status of select lines G1 and G2. The ID Code bit is as listed in the Boundary Scan Register table located above.

Figure 1: Input Observation Cell (IN_CELL)

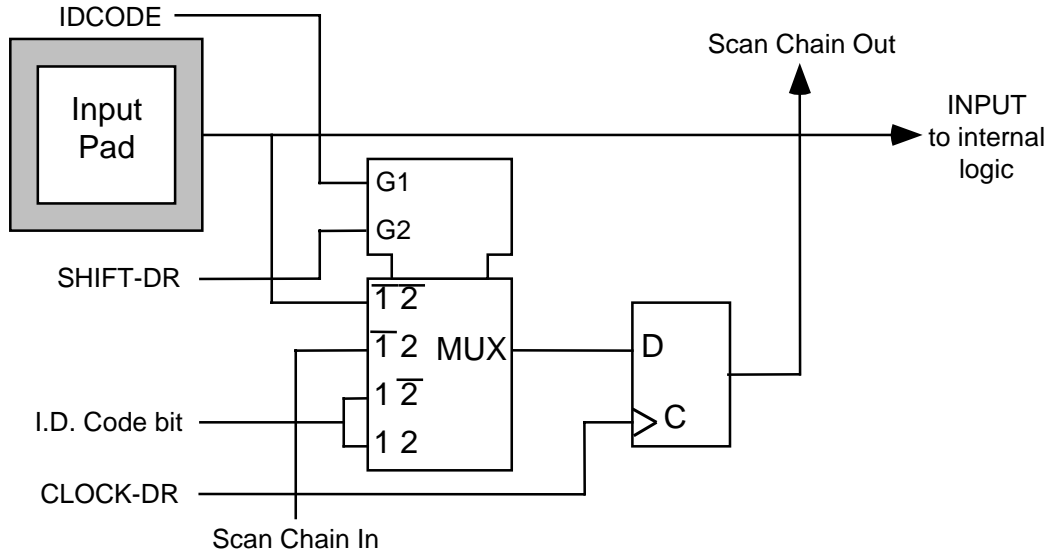


Figure 2: Output Cell (OUT_CELL)

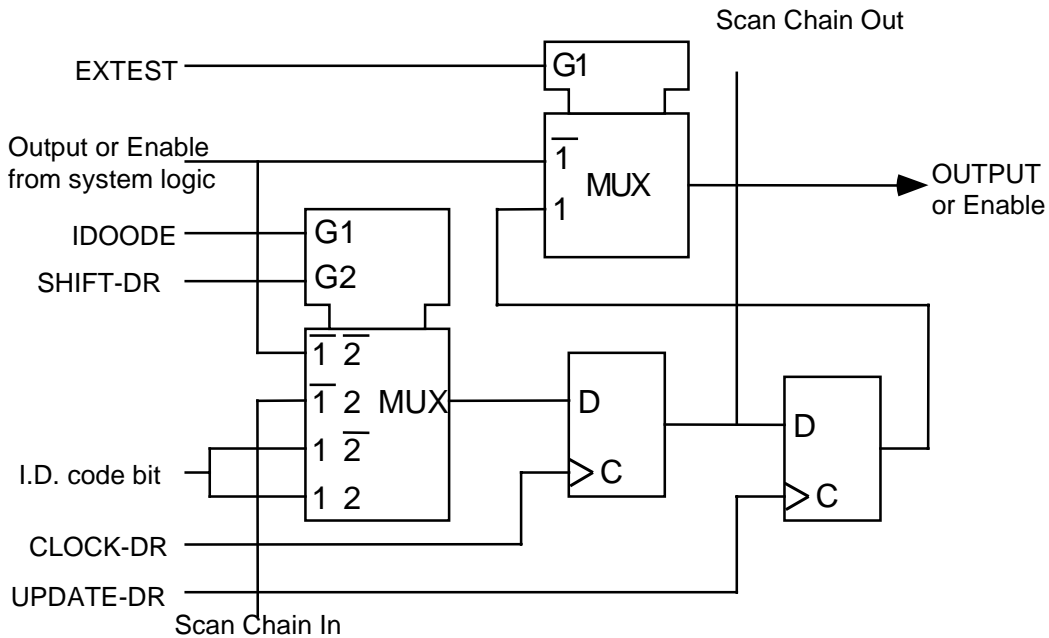


Figure 3: Bidirectional Cell (IO_CELL)

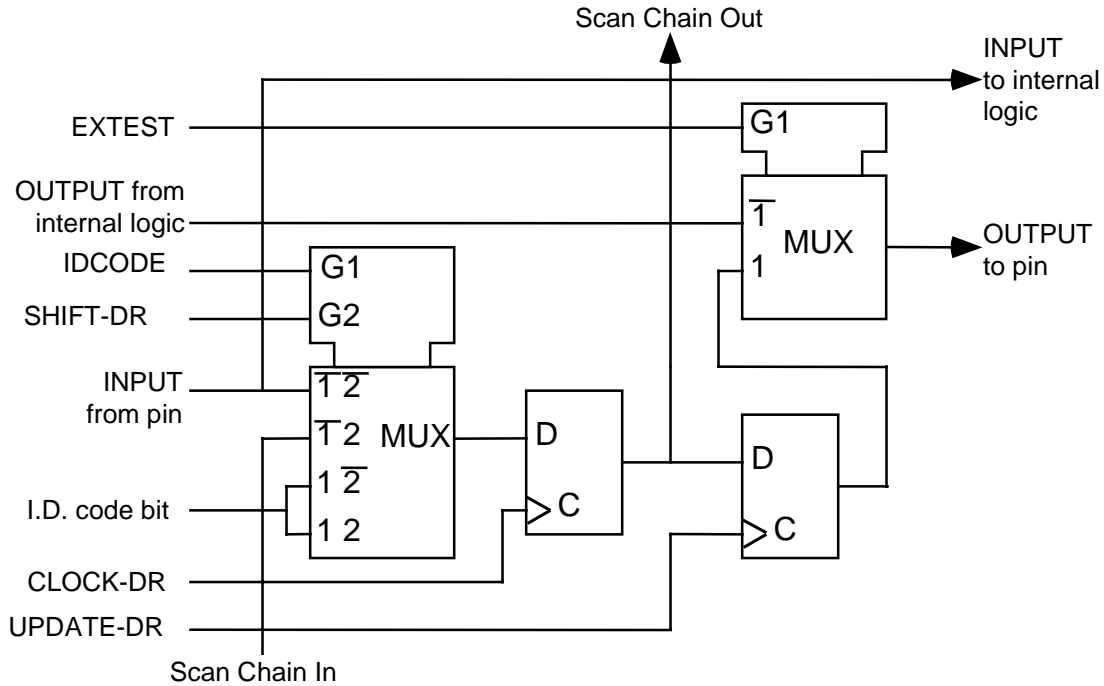
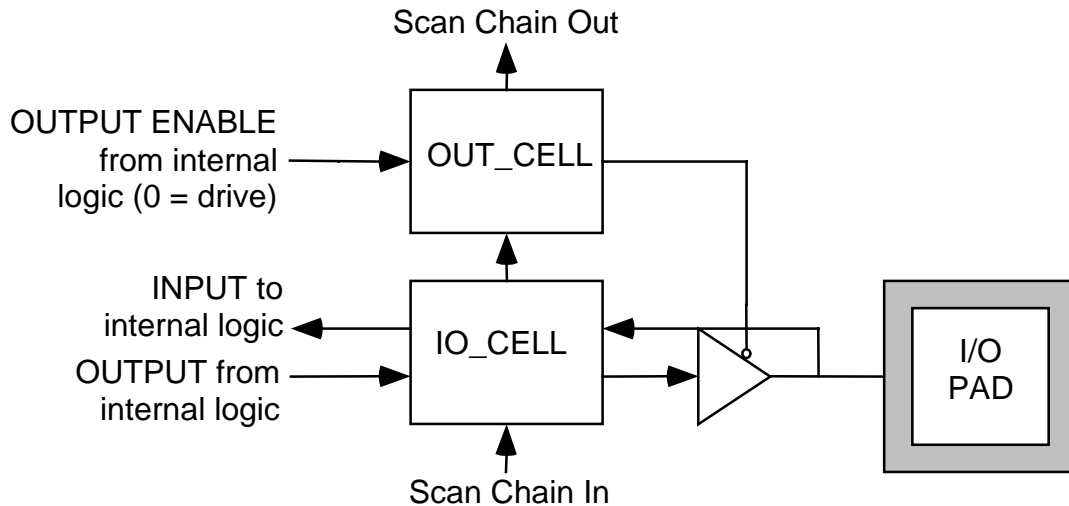


Figure 4: Layout of Output Enable and Bidirectional Cells



10 DC CHARACTERISTICS

The following is the typical and maximum current consumption of the PM5352 S/UNI-STAR while in ATM mode and POS mode (with and without use of the TXC clock pin).

PARAMETER	UNIT	UPPER LIMIT SPEC	TYPICAL
IDDOP in ATM mode (with TXC disabled)	mA	280	215mA
IDDOP in ATM mode (with TXC enabled)	mA	310	235mA
IDDOP in POS mode (with TXC disabled)	mA	330	245mA
IDDOP in POS mode (with TXC enabled)	mA	360	265mA

11 ORDERING AND THERMAL INFORMATION**Table 6: Ordering Information**

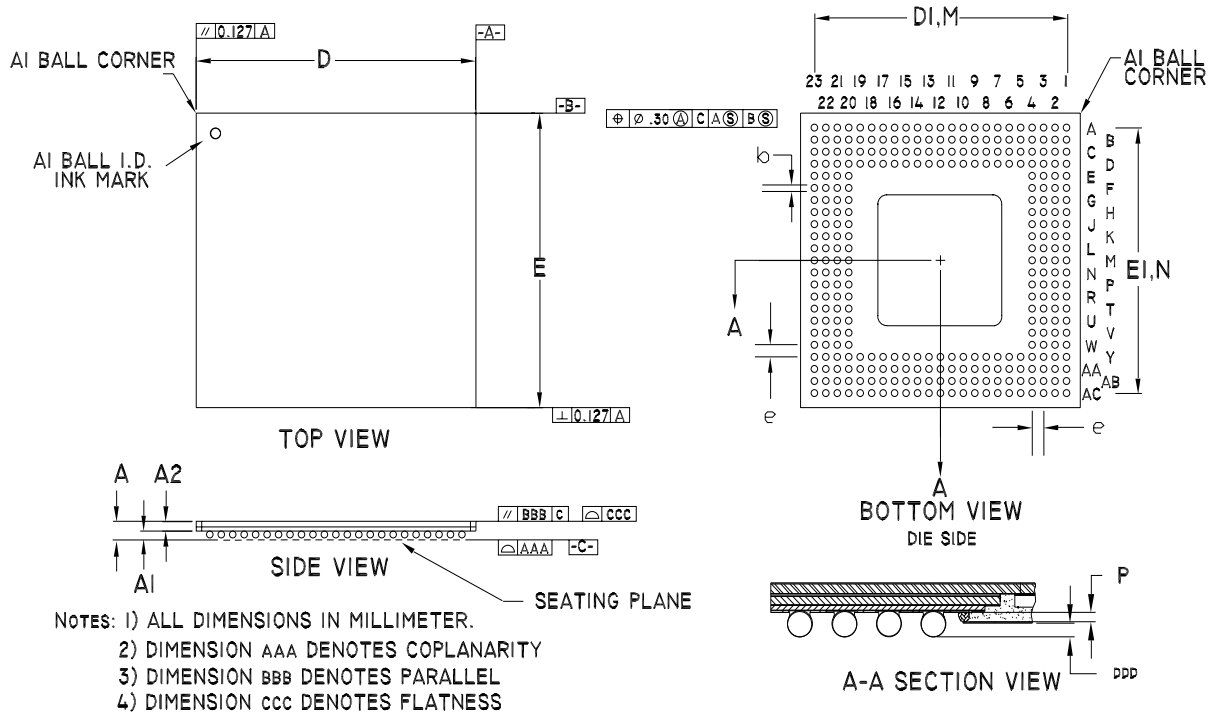
PART NO.	DESCRIPTION
PM5352-BI	304-pin Ball Grid Array (SBGA)

Table 7: Thermal Information

PART NO.	Ambient TEMPERATURE	Theta Ja	Theta Jc
PM5352-BI	-40°C to 85°C	22 °C/W	1 °C/W

12 MECHANICAL INFORMATION

Figure 5:- Mechanical Drawing 304 Pin Super Ball Grid Array (SBGA)



PACKAGE TYPE: 304 PIN THERMAL BALL GRID ARRAY															
BODY SIZE: 31 x 31 x 1.45 MM															
DIM.	A	AI	A2	D	DI	E	EI	M,N	e	b	AAA	BBB	CCC	DDD	P
MIN.	1.41	0.56	0.85	30.90	27.84	30.90	27.84			0.60				0.15	0.20
NOM.	1.54	0.63	0.91	31.00	27.94	31.00	27.94	23x23	1.27	0.75				0.33	0.30
MAX.	1.67	0.70	0.97	31.10	28.04	31.10	28.04			0.90	0.15	0.15	0.20	0.50	0.35

NOTES

CONTACTING PMC-SIERRA, INC.

PMC-Sierra, Inc.
105-8555 Baxter Place Burnaby, BC
Canada V5A 4V7

Tel: (604) 415-6000

Fax: (604) 415-6200

Document Information: document@pmc-sierra.com

Corporate Information: info@pmc-sierra.com

Application Information: apps@pmc-sierra.com

(604) 415-4533

Web Site: <http://www.pmc-sierra.com>

None of the information contained in this document constitutes an express or implied warranty by PMC-Sierra, Inc. as to the sufficiency, fitness or suitability for a particular purpose of any such information or the fitness, or suitability for a particular purpose, merchantability, performance, compatibility with other parts or systems, of any of the products of PMC-Sierra, Inc., or any portion thereof, referred to in this document. PMC-Sierra, Inc. expressly disclaims all representations and warranties of any kind regarding the contents or use of the information, including, but not limited to, express and implied warranties of accuracy, completeness, merchantability, fitness for a particular use, or non-infringement.

In no event will PMC-Sierra, Inc. be liable for any direct, indirect, special, incidental or consequential damages, including, but not limited to, lost profits, lost business or lost data resulting from any use of or reliance upon the information, whether or not PMC-Sierra, Inc. has been advised of the possibility of such damage.

© 2000 PMC-Sierra, Inc.

PMC-1990421 R2 Issue date: February 2000