

**PLEASE CHECK WWW.MOLEX.COM FOR LATEST PART INFORMATION**

**Part Number:** [0190690107](#)  
**Status:** **Active**  
**Description:** Krimptite™ Ring Tongue Terminal for 14-16 AWG Wire

**Documents:**  
[Drawing \(PDF\)](#) [RoHS Certificate of Compliance \(PDF\)](#)

**Agency Certification**

CSA LR18689  
 UL E32244

**General**

Product Family Ring and Spade Terminals  
 Series [19069](#)  
 Crimp Quality Equipment Yes  
 Mil-Spec N/A  
 Product Name Krimptite™  
 Type Ring

**Physical**

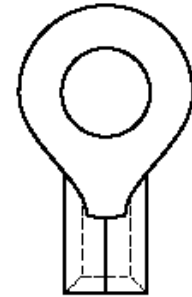
Barrel Type Closed  
 Insulation None  
 Material - Plating Mating Tin  
 Packaging Type Bag  
 Plating min: Mating (µin) 100  
 Plating min: Mating (µm) 2.5  
 Plating min: Termination (µin) 100  
 Plating min: Termination (µm) 2.5  
 Stud Size 1/4" (M6)  
 Wire Size AWG 14, 16  
 Wire Size mm² 1.30 - 2.00

**Material Info**

Old Part Number BB-125-14

**Reference - Drawing Numbers**

Sales Drawing SD-19069-013



*Series  
 image - Reference only*

**EU RoHS**

**ELV and RoHS  
 Compliant**  
**REACH SVHC  
 Contains SVHC: No**  
**Halogen-Free  
 Status**

**China RoHS**



**Halogen-Free**

**Need more information on product  
 environmental compliance?**

Email [productcompliance@molex.com](mailto:productcompliance@molex.com)  
 For a multiple part number RoHS Certificate of  
 Compliance, [click here](#)

Please visit the [Contact Us](#) section for any  
 non-product compliance questions.

**Search Parts in this Series**

[19069Series](#)

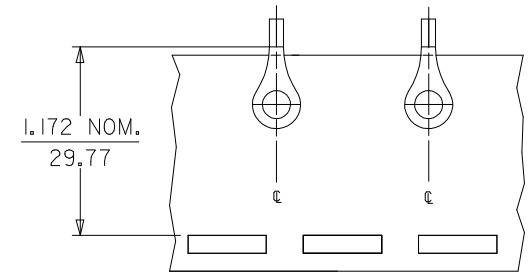
**Application Tooling | [FAQ](#)**

*Tooling specifications and manuals are  
 found by selecting the products below.  
 Crimp Height Specifications are then  
 contained in the Application Tooling  
 Specification document.*

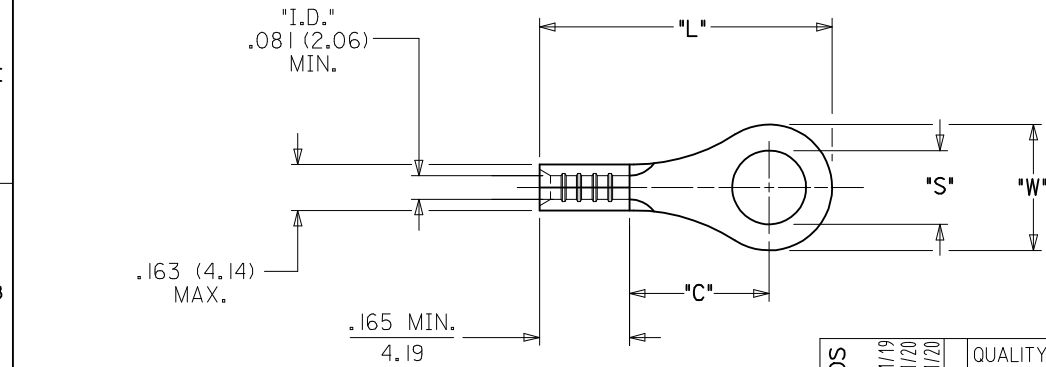
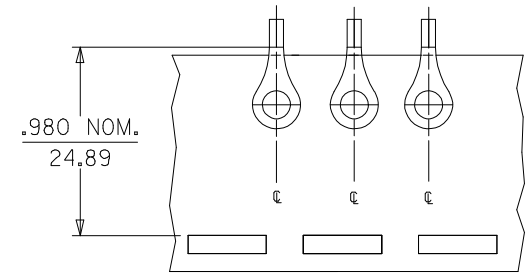
**Global**

Description	Product #
Hand Crimp Tool	<a href="#">0640030100</a>
Crimp Head for the AT-200™ Pneumatic Hand Tool	<a href="#">0640070100</a>

MATERIAL NO. LOOSE PIECE	ENG. NO.	MATERIAL NO. TAPE MOUNTED	ENG. NO.	STUD SIZE	±.003 "S"	"W" MAX.	"C" MIN.	"L" MAX.
190690091	BB-118-10	-----	-----	10	.198 (5.03)			
190690092	BB-118-14	190690133	BB-118-14T	14	.265 (6.73)	.544 (13.82)	.535 (13.59)	1.010 (25.65)
190690093	BB-118-38	190690094	BB-118-38T	38 (A1)	.390 (9.91)			
190690096	BB-118-56	190690097	BB-118-56T	56 (A1)	.328 (8.33)			
190690098	BB-123-02	190690134	BB-123-02T	2	.094 (2.39)	.260 (6.60)	.209 (5.31)	.560 (14.22)
190690099	BB-123-04	190690100	BB-123-04T	4	.119 (3.02)			
190690101	BB-123-06	190690102	BB-123-06T	6	.146 (3.71)			
190690103	BB-123-08	190690104	BB-123-08T	8	.173 (4.39)	.477 (12.11)	.388 (9.86)	.837 (21.26)
190690105	BB-125-10	190690106	BB-125-10T	10	.198 (5.03)			
190690107	BB-125-14	190690108	BB-125-14T	14	.265 (6.73)			
190690109	BB-125-56	190690110	BB-125-56T	56	.328 (8.33)	.322 (8.18)	.275 (6.98)	.645 (16.38)
190690112	BB-137-06	190690113	BB-137-06T	6	.146 (3.71)			
190690114	BB-137-08	190690115	BB-137-08T	8	.173 (4.39)			
190690116	BB-137-10	190690117	BB-137-10T	10	.198 (5.03)	.352 (8.94)	.305 (7.75)	.696 (17.68)
190690119	BB-139-04	-----	-----	4	.119 (3.02)			
190690120	BB-139-06	190690138	BB-139-06T	6	.146 (3.71)			
190690121	BB-139-08	190690122	BB-139-08T	8	.173 (4.39)	.198 (5.03)		
190690123	BB-139-10	190690124	BB-139-10T	10				



ENG. NO.  
BB-118-\*\*-\*\* ONLY



- NOTE(S):**
- MATERIAL: COPPER (.031/0.79 THICK)  
PLATING: ELECTROPLATE TIN
  - WIRE SIZE: 16-14 AWG  
1.0 - 2.5 MM<sup>2</sup>
  - PARTS ARE ROHS COMPLIANT.

**FIX SWAPPED STUDS**  
 EC NO: WNA2009-0338  
 DRW: HETHRODAHL 2008/11/19  
 CHKD: JMACNEIL 2008/11/20  
 APPR: JMACNEIL 2008/11/20

QUALITY SYMBOLS  
 ▽=0  
 ▽=0

GENERAL TOLERANCES (UNLESS SPECIFIED)	
mm	INCH
4 PLACES ±---	±---
3 PLACES ±---	±.005
2 PLACES ±0.13	±.01
1 PLACE ±0.25	±---
ANGULAR ±---°	

DRAFT WHERE APPLICABLE  
MUST REMAIN WITHIN DIMENSIONS

**SALES DRAWING**

DIMENSION STYLE <b>IN/MM</b>		SCALE ---	DESIGN UNITS <b>INCH</b>	THIRD ANGLE PROJECTION
DRAWN BY DLM	DATE 2003/02/21	TITLE <b>RING TONGUE TERMINAL KRIMPTITE 16-14 AWG</b>		
CHECKED BY SB	DATE 2003/02/21	MATERIAL NO. <b>MOLEX INCORPORATED</b>		
APPROVED BY RWD	DATE 2003/02/21	DOCUMENT NO. <b>SD-19069-013</b>	SHEET NO. 1 OF 1	
THIS DRAWING CONTAINS INFORMATION THAT IS PROPRIETARY TO MOLEX INCORPORATED AND SHOULD NOT BE USED WITHOUT WRITTEN PERMISSION				