



LA1780M

Single-Chip Tuner IC for Car Radios

Overview

The LA1780M integrates all six blocks required in a car radio tuner on a single chip. The LA1780M is based on the LA1888NM, and features improvements to each of the blocks; improvements designed to provide improved noise characteristics, especially for noise related to multipath, three-signal intermodulation distortion, and two-signal suppression.

Functions

- FM front end
- FM IF
- Noise canceller
- Multiplex
- AM up-conversion
- FM/AM switch
- MRC

Features

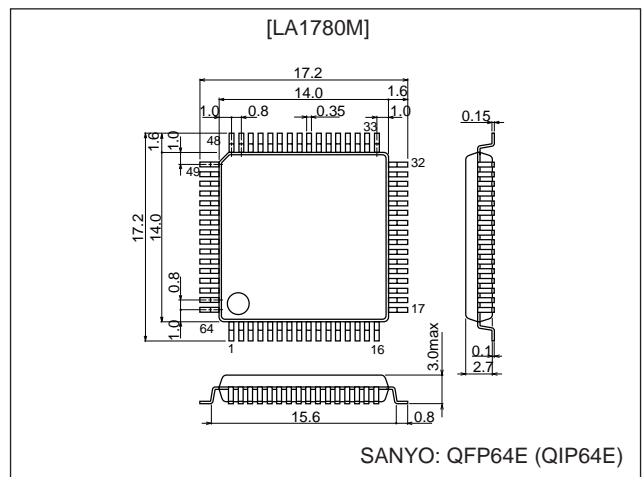
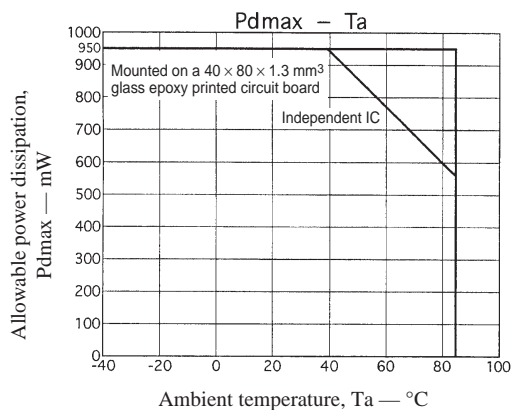
- Improved noise reduction methods
 - The FM front end provides excellent 3-signal characteristics equivalent to those of the LA1193M.

- Superlative listenability due to improved medium and weak field noise canceller characteristics.
- Improved separation characteristics
- Anti-birdie filter
- Improved AM and FM thermal characteristics
- Excellent FM signal meter linearity
- Modified N.C. circuit for improved noise rejection
- Double conversion AM tuner (up conversion)
 - Reduces the number of external components required as compared to earlier double conversion tuners, in particular, no crystal is required (when used in conjunction with the LC72144).
- Sample-to-sample variation reduction circuit built into the FM IF circuit.
 - (Fixed resistors are used for the SD, keyed AGC, mute on adjustment, ATT, SNC, and HCC functions.)
- Since the LA1780M retains the block structure of the LA1888NM, products using that IC can be easily converted, allowing further end product miniaturization.

Package Dimensions

Unit:mm

3159-QFP64E



■ Any and all SANYO products described or contained herein do not have specifications that can handle applications that require extremely high levels of reliability, such as life-support systems, aircraft's control systems, or other applications whose failure can be reasonably expected to result in serious physical and/or material damage. Consult with your SANYO representative nearest you before using any SANYO products described or contained herein in such applications.

■ SANYO assumes no responsibility for equipment failures that result from using products at values that exceed, even momentarily, rated values (such as maximum ratings, operating condition ranges, or other parameters) listed in products specifications of any and all SANYO products described or contained herein.

SANYO Electric Co., Ltd. Semiconductor Company

TOKYO OFFICE Tokyo Bldg., 1-10, 1 Chome, Ueno, Taito-ku, TOKYO, 110-8534 JAPAN

Specifications

Maximum Ratings at Ta = 25°C

Parameter	Symbol	Conditions	Ratings	Unit
Maximum supply voltage	V _{CC1} max	Pins 6, 40, and 61	9	V
	V _{CC2} max	Pins 7, 45, 54, 59, and 60	12	V
Allowable power dissipation	Pd max	Ta ≤ 55°C	950	mW
Operating temperature	T _{opr}		-40 to +85	°C
Storage temperature	T _{stg}		-40 to +150	°C

Operating Conditions at Ta = 25°C

Parameter	Symbol	Conditions	Ratings	Unit
Recommended supply voltage	V _{CC}	Pins 6, 7, 40, 45, 54, 59, 60, and 61	8	V
	V _{CCST} IND	Pin 26	5	V
Operating supply voltage range	V _{CC} op		7.5 to 9.0	V

Operating Characteristics at Ta = 25°C, V_{CC} = 8.0V, in the specified test circuit for the FM IF input

Parameter	Symbol	Conditions	Ratings			unit
			min	typ	max	
[FM Characteristics] At the FM IF input						
Current drain	I _{CCO-FM}	No input, I40 + I45 + I54 + I59 + I60 + I61	60	94	110	mA
Demodulation output	V _{O-FM}	10.7 MHz, 100dBμ, 1 kHz, 100%mod, The pin 15 output	205	310	415	mVrms
Pin 31 demodulation output	V _{O-FM31}	10.7 MHz, 100dBμ, 1 kHz, 100%mod, The pin 31 output	190	295	380	mVrms
Channel balance	CB	The ratio between pins 15 and 16 at 10.7 MHz, 100 dBμ, 1 kHz	-1	0	+1	dB
Total harmonic distortion	THD-FM mono	10.7 MHz, 100 dBμ, 1 kHz, 100% mod, pin 15		0.3	1	%
Signal-to-noise ratio: IF	S/N-FM IF	10.7 MHz, 100 dBμ, 1 kHz, 100% mod, pin 15	75	82		dB
AM suppression ratio: IF	AMR IF	10.7 MHz, 100 dBμ, 1 kHz, f _m = 1 kHz, 30% AM, pin 15	55	68		dB
Muting attenuation	Att-1	10.7 MHz, 100 dBμ, 1 kHz. The pin 15 attenuation when V33 goes from 0 to 2 V	5	10	15	dB
	Att-2	10.7 MHz, 100 dBμ, 1 kHz. The pin 15 attenuation when V33 goes from 0 to 2 V*1	15	20	25	dB
	Att-3	10.7 MHz, 100 dBμ, 1 kHz. The pin 15 attenuation when V33 goes from 0 to 2 V*2	28	33	38	dB
Separation	Separation	10.7 MHz, 100 dBμ, L+R = 90%, pilot = 10%. The pin 15 output ratio	30	40		dB
Stereo on level	ST-ON	The pilot modulation such that V26 < 0.5 V	1.2	2.4	4.4	%
Stereo off level	ST-OFF	The pilot modulation such that V26 > 3.5 V	0.6	1.6		%
Main total harmonic distortion	THD-Main L	10.7 MHz, 100 dBμ, L+R = 90%, pilot = 10%. The pin 15 signal		0.3	1.2	%
Pilot cancellation	PCAN	10.7 MHz, 100 dBμ, pilot = 10%. The pin 15 signal/the pilot level leakage. DIN audio	20	30		dB
SNC output attenuation	AttSNC	10.7 MHz, 100 dBμ, L-R = 90%, pilot = 10%. V28 = 3 V → 0.6 V, pin 15	1	5	9	dB
HCC output attenuation	AttHCC-1	10.7 MHz, 100 dBμ, 10 kHz, L+R = 90%, pilot = 10%. V29 = 3 V → 0.6 V, pin 15	0.5	4.5	8.5	dB
	AttHCC-2	10.7 MHz, 100 dBμ, 10 kHz, L+R = 90%, pilot = 10%. V29 = 3 V → 0.1 V, pin 15	6	10	14	dB
Input limiting voltage	V _{i-lim}	100 dBμ, 10.7 MHz, 30% modulation. The IF input such that the input reference output goes down by 3 dB	33	40	47	dBμ
Muting sensitivity	V _{i-mute}	The IF input level (unmodulated) when V33 = 2 V	27	35	43	dBμ
SD sensitivity	SD-sen1 FM	The IF input level (unmodulated) (over 100 mV rms) such that the IF counter buffer output goes on	54	62	70	dBμ
	SD-sen2 FM		54	62	70	dBμ
IF counter buffer output	V _{IFBUFF-FM}	10.7 MHz, 100 dBμ, unmodulated. The pin 23 output	220	330	440	mVrms
Signal meter output	V _{SM} FM-1	No input. The pin 24 DC output, unmodulated	0.0	0.1	0.3	V
	V _{SM} FM-2	50 dBμ. The pin 24 DC output, unmodulated	0.4	1.0	1.5	V
	V _{SM} FM-3	70 dBμ. The pin 24 DC output, unmodulated	2.0	2.7	3.5	V
	V _{SM} FM-4	100 dBμ. The pin 24 DC output, unmodulated	4.7	5.5	6.2	V
Muting bandwidth	BW-mute	100 dBμ. The bandwidth when V33 = 2 V, unmodulated	100	150	200	kHz
Mute drive output	V _{MUTE-100}	100 dBμ, 0 dBμ. The pin 33 DC output, unmodulated	0.00	0.03	0.20	V

Continued on next page.

LA1780M

Continued from preceding page.

Parameter	Symbol	Conditions	Ratings			unit
			min	typ	max	
[FM FE Mixer Input]						
N-AGC on input	V _{N-AGC}	83 MHz, unmodulated. The input such that the pin 2 voltage is 2.0 V or below	80	87	94	dB μ
W-AGC on input	V _{WAGC}	83 MHz, unmodulated. The input such that the pin 2 voltage is 2.0 V or below. (When the keyed AGC is set to 4.0 V.)	100	106	112	dB μ
Conversion gain	A.V	83 MHz, 80 dB μ , unmodulated. The FE CF output	19	30	48	mVrms
Oscillator buffer output	V _{OSCBUFFFM}	No input	260	370	480	mVrms
[NC Block] NC input (pin 30)						
Gate time	τ GATE1	f = 1 kHz, for a 1- μ s, 100-mV p-o pulse		55		μ s
Noise sensitivity	SN	The level of a 1 = kHz, 1- μ s pulse input that starts noise canceller operation. Measured at pin 30.		40		mVp-o
NC effect	SN-NC	The pulse rejection effect provided by the noise canceller. For a repeated 1- μ s wide pulse, frequency = 10 kHz, 150 mV p-o. The ratio of the FM mode pin 15 output referenced to the AM mode pin 15 output (effective value)	5			
[Multipath Rejection Circuit] MRC input (pin 27)						
MRC output	VMRC	V ₂₄ = 5 V	2.2	2.3	2.4	V
MRC operating level	MRC-ON	The pin 32 input level at f = 70 kHz such that pin 24 goes to 5 V and pin 27 goes to 2 V	10	15	20	mVrms
[AM Characteristics] AM ANT input						
Practical sensitivity	S/N-30	1 MHz, 30 dB μ , f _m = 1 kHz, 30% modulation, pin 15	20			dB
Detector output	V _{O-AM}	1 MHz, 74 dB μ , f _m = 1 kHz, 30% modulation, pin 15	85	120	170	mVrms
Pin 31 detector output	V _{O-AM31}	1 MHz, 74 dB μ , f _m = 1 kHz, 30% modulation, pin 31	75	110	150	mVrms
AGC F.O.M.	V _{AGC-FOM}	1 MHz, 74 dB μ , referenced to the output, the input amplitude such that the output falls by 10 dB. Pin 15	56	61	66	dB
Signal-to-noise ratio	S/N-AM	1 MHz, 74 dB μ , f _m = 1 kHz, 30% modulation	47	52		dB
Total harmonic distortion	THD-AM	1 MHz, 74 dB μ , f _m = 1 kHz, 80% modulation		0.3	1	%
Signal meter output	V _{SM AM-1}	No input	0.0	0.2	0.5	V
	V _{SM AM-2}	1 MHz, 130 dB μ , unmodulated	3.8	4.8	6.2	V
Oscillator buffer output	V _{OSCBUFF AM1}	No input, the pin 5 output	185	230		mVrms
Wide band AGC sensitivity	W-AGCsen1	1.4 MHz, the input when V ₄₆ = 0.7 V	83	89	95	dB μ
	W-AGCsen2	1.4 MHz, the input when V ₄₆ = 0.7 V (seek mode)	74	80	86	dB μ
SD sensitivity	SD-sen1 AM	1 MHz, the ANT input level such that the IF counter output turns on.	26	32	38	dB μ
	SD-sen2 AM	1 MHz, the ANT input level such that the SD pin goes to the on state.	26	32	38	dB μ
IF buffer output	V _{IFBUFF-AM}	1 MHz, 74 dB μ , unmodulated. The pin 23 output	200	290		mVrms

Note: These measurements must be made using the either the IC-51-0644-824 or KS8277 IC socket (manufactured by Yamaichi Electronics).

* 1. When the resistor between pin 58 and ground is 200 k Ω .

* 2. When the resistor between pin 58 and ground is 30 k Ω .

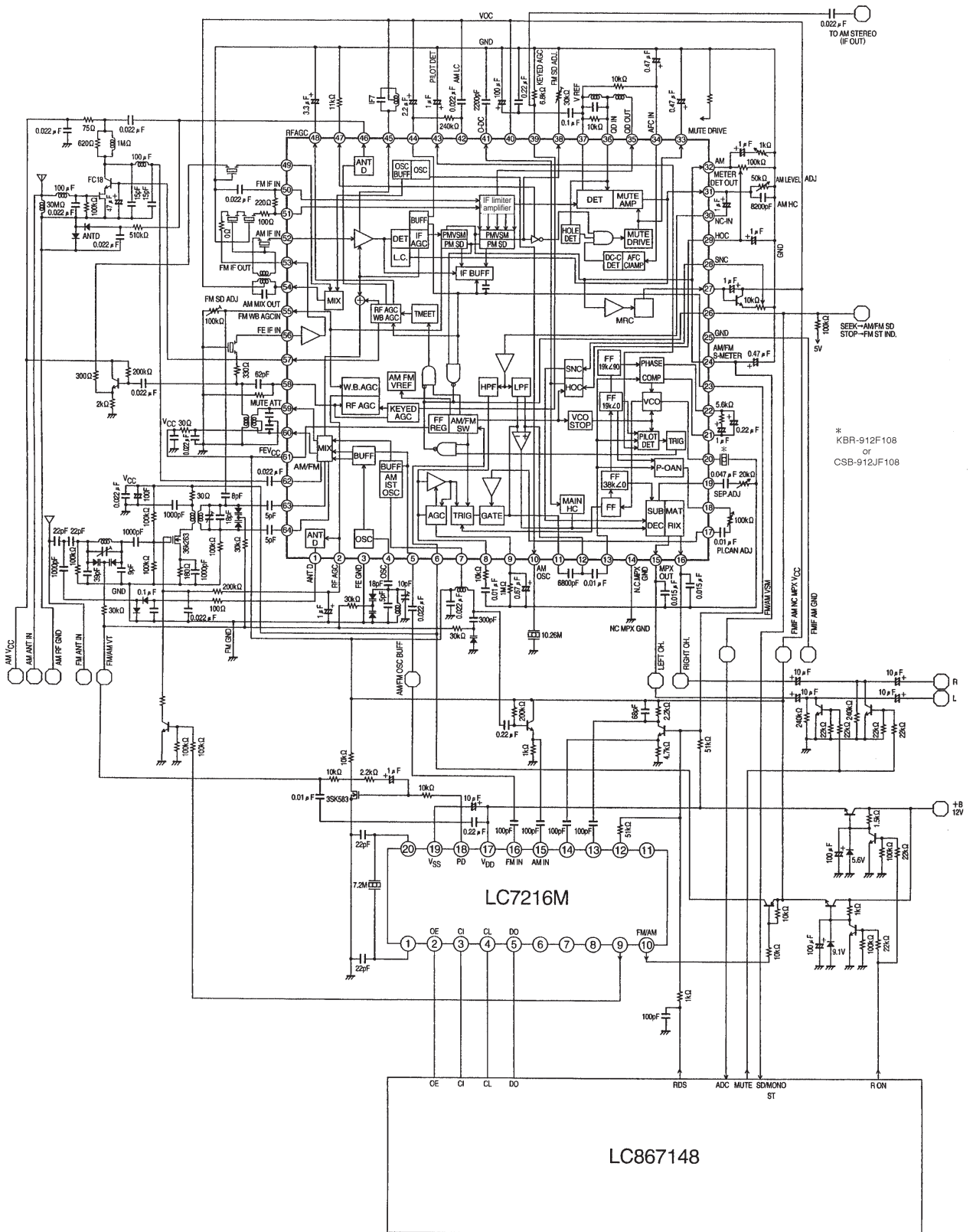
LA1780M

Test Conditions

Parameter	Symbol	Switch states									
		SW1	SW2	SW3	SW4	SW5	SW6	SW7	SW8	SW9	SW10
Current drain	I _{CCO-FM}	ON	b	OFF	b	—	ON	OFF	OFF	ON	—
Demodulation output	V _{O-FM}	ON	b	OFF	b	—	ON	OFF	OFF	ON	—
Pin 31 demodulation output	V _{O-FM31}	ON	b	OFF	b	—	ON	OFF	OFF	ON	—
Channel balance	CB	ON	b	OFF	b	—	ON	OFF	OFF	ON	—
Total harmonic distortion	THD-FMmono	ON	b	OFF	b	—	ON	OFF	OFF	ON	—
Signal-to-noise ratio: IF	S/N-FM IF	ON	b	OFF	b	—	ON	OFF	OFF	ON	—
AM suppression ratio: IF	AMR IF	ON	b	OFF	b	—	ON	OFF	OFF	ON	—
Muting attenuation 1	Att-1	ON	b	OFF	b	—	ON	OFF	OFF	ON	—
Muting attenuation 2	Att-2	ON	b	OFF	b	—	ON	OFF	OFF	ON	—
Muting attenuation 3	Att-3	ON	b	OFF	b	—	ON	OFF	OFF	ON	—
Separation	Separation	ON	b	OFF	b	—	ON	OFF	OFF	ON	—
Stereo on level	ST-ON	ON	b	OFF	b	—	ON	OFF	OFF	ON	—
Stereo off level	ST-OFF	ON	b	OFF	b	—	ON	OFF	OFF	ON	—
Main total harmonic distortion	THD-Main L	ON	b	OFF	b	—	ON	OFF	OFF	ON	—
Pilot cancellation	PCAN	ON	b	OFF	b	—	ON	OFF	OFF	OFF/ON	—
SNC output attenuation	AttSNC	ON	b	OFF	b	—	ON	OFF	OFF	ON	—
HCC output attenuation 1	AttHCC-1	ON	b	OFF	b	—	ON	OFF	OFF	ON	—
HCC output attenuation 2	AttHCC-2	ON	b	OFF	b	—	ON	OFF	OFF	ON	—
Input limiting voltage	V _{i-lim}	ON	b	OFF	b	—	ON	OFF	OFF	ON	ON
Muting sensitivity	V _{i-mute}	ON	b	OFF	b	—	ON	OFF	OFF	ON	—
SD sensitivity 1	SD-sen1 FM	ON	b	OFF	b	OFF	OFF	OFF	OFF	ON	—
SD sensitivity 2	SD-sen2 FM	ON	b	OFF	b	ON	OFF	OFF	OFF	ON	—
IF counter buffer output	V _{IFBUFF-FM}	ON	b	OFF	b	OFF	OFF	OFF	OFF	ON	—
Signal meter output 1	V _{SM FM-1}	ON	b	OFF	b	—	ON	OFF	OFF	ON	—
Signal meter output 2	V _{SM FM-2}	ON	b	OFF	b	—	ON	OFF	OFF	ON	—
Signal meter output 3	V _{SM FM-3}	ON	b	OFF	b	—	ON	OFF	OFF	ON	—
Signal meter output 4	V _{SM FM-4}	ON	b	OFF	b	—	ON	OFF	OFF	ON	—
Muting bandwidth	BW-mute	ON	b	OFF	b	—	ON	OFF	OFF	ON	—
Mute drive output	V _{MUTE-100}	ON	b	OFF	b	—	ON	OFF	OFF	ON	—
N-AGC on input	V _{NAGC}	ON	a	ON	b	—	ON	OFF	OFF	—	—
W-AGC on input	V _{WAGC}	ON	a	ON	b	—	ON	OFF	OFF	—	—
Conversion gain	A.V	ON	a	ON	b	—	ON	OFF	OFF	—	—
Oscillator buffer output	V _{OSCBUFFFM}	ON	a	ON	b	—	ON	OFF	OFF	—	—
Gate time 1	τ _{GATE1}	ON	—	OFF	a	—	ON	OFF	OFF	—	—
Noise sensitivity	SN	ON	—	OFF	a	—	ON	OFF	OFF	—	—
NC effect	SN-NC	ON/OFF	—	OFF	a	—	ON	OFF	OFF	—	—
MRC output	V _{MRC}	ON	—	OFF	b	—	ON	OFF	OFF	—	—
MRC operating level	MRC-ON	ON	—	OFF	b	—	ON	OFF	OFF	—	—
Practical sensitivity	S/N-30	OFF	—	OFF	b	ON	ON	—	—	—	—
Detection output	V _{O-AM}	OFF	—	OFF	b	ON	ON	—	—	—	—
Pin 31 detection output	V _{O-AM31}	OFF	—	OFF	b	ON	ON	—	—	—	—
AGC F.O.M.	V _{AGC-FOM}	OFF	—	OFF	b	ON	ON	—	—	—	—
Signal-to-noise ratio	S/N-AM	OFF	—	OFF	b	ON	ON	—	—	—	—
Total harmonic distortion	THD-AM	OFF	—	OFF	b	ON	ON	—	—	—	—
Signal meter output 1	V _{SM AM-1}	OFF	—	OFF	b	ON	ON	—	—	—	—
Signal meter output 2	V _{SM AM-2}	OFF	—	OFF	b	ON	ON	—	—	—	—
Oscillator buffer output	V _{OSCBUFF AM-1}	OFF	—	OFF	b	ON	ON	—	—	—	—
Wide band AGC sensitivity 1	W-AGCsen 1	OFF	—	OFF	b	ON	ON	—	—	—	—
Wide band AGC sensitivity 2	W-AGCsen 2	OFF	—	OFF	b	ON	ON	—	—	—	—
SD sensitivity 1	SD-sen1 AM	OFF	—	OFF	b	OFF	OFF	—	—	—	—
SD sensitivity 2	SD-sen2 AM	OFF	—	OFF	b	OFF	OFF	—	—	—	—
IF buffer output	V _{IFBUFF-AM}	OFF	—	OFF	b	OFF	OFF	—	—	—	—

LA1780M

Block Diagram



A08649

Function List

FM Front End (Equivalent to the Sanyo LA1193)

- Double input type double balanced mixer
- Pin diode drive AGC output
- MOSFET second gate drive AGC output
- Keyed AGC adjustment pin
- Differential IF amplifier
- Wide band AGC sensitivity setting pin, and narrow band AGC sensitivity setting pin
- Local oscillator

FM IF

- IF limiter amplifier
- S-meter output (also used for AM) 6-stage pickup
- Multipath detection pin (shared FM signal meter)
- Quadrature detection
- AF preamplifier
- AGC output
- Band muting
- Weak input muting
- Soft muting adjustment pin
- Muting attenuation adjustment pin
- IF counter buffer output (also used for AM)
- SD (IF counter buffer on level) adjustment pin
- SD output (active high) (also used for AM)

Noise Canceller

- High-pass filter (first order)
- Delay circuit based low-pass filter (fourth order)
- Noise AGC
- Pilot signal compensation circuit
- Noise sensitivity setting pin
- Function for disabling the noise canceller in AM mode

Multiplex Functions

- Adjustment-free VCO circuit
- Level follower type pilot canceller circuit
- HCC (high cut control)
- Automatic stereo/mono switching
- VCO oscillation stop function (AM mode)
- Forced monaural
- SNC (stereo noise controller)
- Stereo display pin
- Anti-birdie filter

AM

- Double balanced mixer (1st, 2nd)
- IF amplifier
- Detection
- RF AGC (narrow/wide)
- Pin diode drive pin
- IF AGC
- Signal meter output (also used for FM)
- Local oscillator circuits (first and second)
- Local oscillator buffer output
- IF counter buffer output (also used by the FM IF)
- SD (IF counter buffer on level) adjustment pin
- SD output (active high) (also used for AM)
- Wide AGC
- Detection output frequency characteristics adjustment pin (low cut, high deemphasis)
- AM stereo buffer

MRC (multipath noise rejection circuit)

AM/FM switching output (linked to the FM V_{CC})

Pin Descriptions

Pin No.	Function	Description	Equivalent circuit
1	Antenna damping drive	An antenna damping current flows when the RF AGC voltage (pin 2) reaches $V_{CC}-V_D$.	<p style="text-align: right;">A08578</p>
2	RF AGC	Used to control the FET second gate.	<p style="text-align: right;">A08579</p>
3	F.E.GND		
4	OSC	Oscillator connection The transistor and capacitors required for the oscillator circuit are integrated on the chip.	<p style="text-align: right;">A08580</p>
7	AM OSC	AM first oscillator This circuit can oscillator up to the SW band. An ALC circuit is included.	<p style="text-align: right;">A08581</p>

Continued on next page.

LA1780M

Continued from preceding page.

Pin No.	Function	Description	Equivalent circuit
8 9	Noise AGC sensitivity AGC adjustment	After setting up the medium field (about 50 dB μ) sensitivity with the noise sensitivity setting pin (pin 8), set the weak field (about 20 to 30 dB μ) sensitivity with the AGC adjustment pin (pin 9)	<p style="text-align: right;">A08582</p>
11 12	Memory circuit connection Memory circuit connection	Recording circuit used during noise canceller operation.	<p style="text-align: right;">A08583</p>
13	Pilot input	Pin 13 is the PLL circuit input pin.	<p style="text-align: right;">A08584</p>
14	N.C., MPX, MRC, GND	Ground for the N.C., MPX, and MRC circuits.	

Continued on next page.

LA1780M

Continued from preceding page.

Pin No.	Function	Description	Equivalent circuit
15 16	MPX output (left) MPX output (right)	Deemphasis 50 μ s: 0.015 μ F 75 μ s: 0.022 μ F	
17	Pilot canceller signal output	Adjustment is required since the pilot signal level varies with the sample-to-sample variations in the IF output level and other parameters.	
18	Pilot canceller signal output	Pin 18 is the output pin for the pilot canceller signal.	

Continued on next page.

LA1780M

Continued from preceding page.

Pin No.	Function	Description	Equivalent circuit
19	Separation adjustment pin	Use a trimmer to adjust the subdecoder input level. (The output level is not modified in mono and main modes.)	<p style="text-align: right; font-size: small;">A08588</p>
20	VCO	The oscillator frequency is 912 Hz. KBR-912F108 (Kyocera Corporation) CSB-912JF108 (Murata Mfg. Co., Ltd.)	<p style="text-align: right; font-size: small;">A08589</p>
21 22	PHASE COMP. PHASE COMP.		<p style="text-align: right; font-size: small;">A08590</p>

Continued on next page.

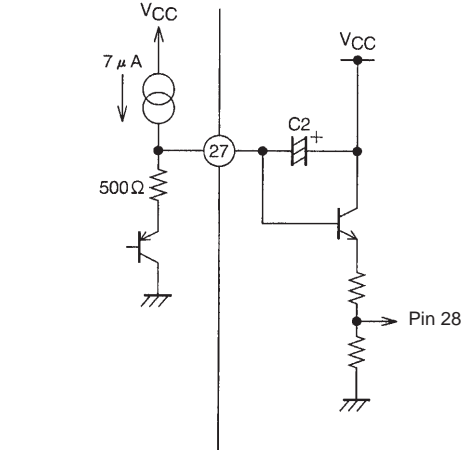
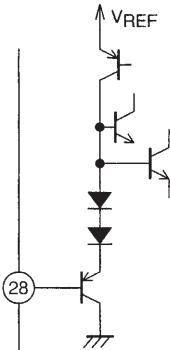
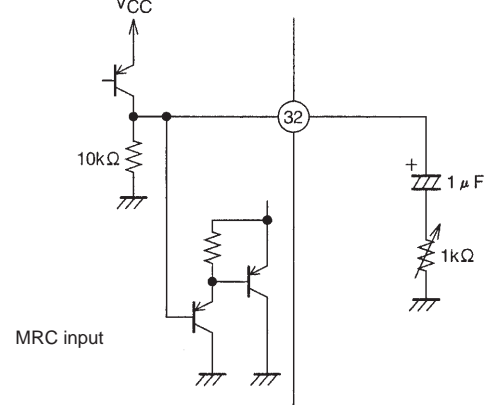
Continued from preceding page.

Pin No.	Function	Description	Equivalent circuit
23	IF counter buffer seek/stop switching	<p>This pin functions both as the IF counter buffer (AC output) and as the seek/stop switch pin. The voltage V23 switches between the following three modes.</p> <p>During FM reception:</p> <p>5 V: Seek mode 2.5 V: Forced SD mode 0 V: Reception mode</p> <p>AM reception (two modes: 0 and 5 V)</p> <p>5 V: Seek mode 0 V: Reception mode</p>	<p>SD circuit</p> <p>AM MUTE</p> <p>IF counter buffer</p> <p>51kΩ</p> <p>STOP</p> <p>IF BUFF.</p> <p>Forced SD: 2.5 V</p> <p>SEEK 5V</p> <p>A08591</p>
24 32	AM/FM signal meter Dedicated FM signal meter	<p>Fixed-current drive signal meter output</p> <p>In AM mode, pin 32 outputs a 1-mA current. Thus the HCC circuit is turned off.</p>	<p>VCC</p> <p>FM S-meter</p> <p>AM S-meter</p> <p>AM/FM SW</p> <p>10kΩ</p> <p>10kΩ</p> <p>MRC</p> <p>AM/FM SW</p> <p>Outputs a 1-mA current during AM reception</p> <p>A08592</p>
26	Stereo indicator for the SD pin	<p>FM reception: the voltage V23 switches between three modes as follows.</p> <p>5 V: The SD pin operates linked to the IF counter buffer.</p> <p>2.5 V: Forced SD mode: operates as the SD pin.</p> <p>0 V: Reception mode: stereo indicator</p> <p>AM reception: (two modes: 0 and 5 V)</p> <p>5 V: Operates as the seek SD pin.</p> <p>0 V: Reception mode. Not used.</p>	<p>AM/FM SD</p> <p>Stereo indicator</p> <p>Seek/stop switching</p> <p>100kΩ</p> <p>VDD</p> <p>A08593</p>

Continued on next page.

LA1780M

Continued from preceding page.

Pin No.	Function	Description	Equivalent circuit
27	MRC control voltage time constant	The MRC detector time constant is determined by a 1-k Ω resistor and C2 when discharging and by the 7- μ A current and C2 when charging.	 <p style="text-align: right;">A08594</p>
28	SNC control input	The sub-output is controlled by a 0 to 1-V input.	 <p style="text-align: right;">A08595</p>
29	HCC control input	<p>The high band frequency output is controlled by a 0 to 1-V input.</p> <p>It can also be controlled by the MRC output.</p> <p>Use a resistor of at least 100 kΩ when controlling with the pin 32 FM S-meter signal.</p>	 <p style="text-align: right;">A08598</p>

Continued on next page.

LA1780M

Continued from preceding page.

Pin No.	Function	Description	Equivalent circuit
30	Noise canceller input	Pin 30 is the noise canceller input. The input impedance is 50 kΩ.	<p>Pin 31 is the AM and FM detector output In FM mode, this is a low-impedance output. In AM mode, the output impedance is 10 kΩ. To improve the low band separation, use a coupling capacitor of over 10 μF.</p>
32	IF S-meter output and MRC DC input	FM S-meter output block MRC AC input block Adjust the external 1-kΩ resistor to attenuate the MRC AC input and control the circuit.	<p>MRC input</p>
33	Mute drive output	<ul style="list-style-type: none"> The muting time constant is determined by an external RC circuit as described below. Attack time: $T_A = 10 \text{ k}\Omega \times C1$ Release time: $T_R = 50 \text{ k}\Omega \times C1$ Noise convergence adjustment The noise convergence can be adjusted when there is no input signal by inserting a resistor between pin 33 and ground. Muting off function Ground pin 33 through a 4-kΩ resistor. 	

Continued on next page.

LA1780M

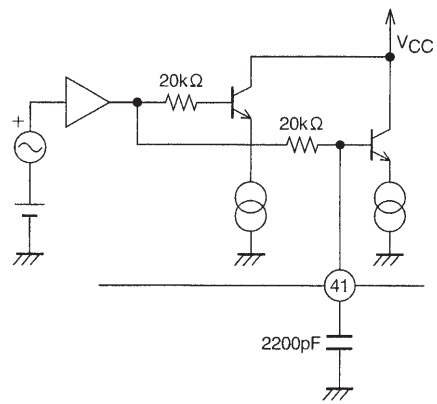
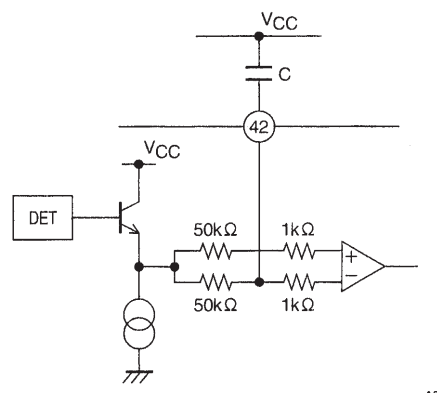
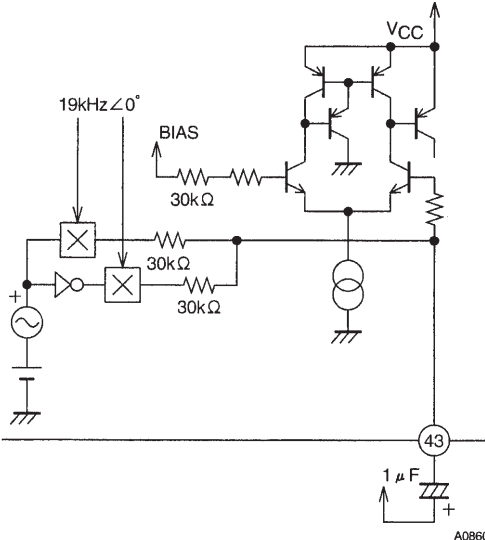
Continued from preceding page.

Pin No.	Function	Description	Equivalent circuit
34 35 36 37	AGC QD output QD input V _{REF}	<ul style="list-style-type: none"> •The resistor R₁ determines the width of the band muting function. Increasing the value of R₁ narrows the band. Reducing the value of R₁ widens the band. •Null voltage When tuned, the voltage between pins 34 and 37, V₃₄₋₃₇, will be 0 V. The band muting function turns on when V₃₄₋₃₇ ≥ 0.7 V. <p>V₃₇ = 4.9 V</p>	<p style="text-align: right; font-size: small;">A08603</p>
38	FM SD ADJ	<p>A 130-μA current flows from pin 38 and, in conjunction with the external resistance R, determines the comparison voltage.</p>	<p style="text-align: right; font-size: small;">A08601</p>
39	Keyed AGC AM stereo buffer	<p>The keyed AGC operates when the voltage created by dividing the pin 24 S-meter output voltage by the 6.4 and 3.6 kΩ resistors becomes lower than the voltage determined by the resistor between pin 39 and ground.</p> <p>This pin also is used as the AM stereo IF buffer pin.</p>	<p style="text-align: right; font-size: small;">A08602</p>

Continued on next page.

LA1780M

Continued from preceding page.

Pin No.	Function	Description	Equivalent circuit
41	HCC capacitor	<p>The HCC frequency characteristics are determined by the external capacitor connected at this pin.</p>	 <p style="text-align: right; font-size: small;">A08603</p>
42	AM L.C. pin	<p>This pin is used to change the frequency characteristics of the unneeded audio band under 100 Hz in AM mode to produce a clear audio signal.</p> <p>Note: The LC capacitor must be connected between this pin and V_{CC} (pin 40). This is because the detector circuit operates referenced to V_{CC}.</p> <p>The cutoff frequency f_C is determined by the following formula.</p> $f_C = 1/2\pi \times 50 \text{ k} \times C$	 <p style="text-align: right; font-size: small;">A08604</p>
43	Pilot detector	<p>Inserting a 1-MΩ resistor between pin 43 and V_{CC} will force the IC to mono mode.</p>	 <p style="text-align: right; font-size: small;">A08605</p>

Continued on next page.

LA1780M

Continued from preceding page.

Pin No.	Function	Description	Equivalent circuit
44	IF AGC	<p>Q1: Used for time constant switching during seeks. $\tau = 2.2 \mu\text{F} \times 300 \text{ k}$ • Seek $\tau = 2.2 \mu \times 10$ The external capacitors are connected to V_{CC}. This is because the IF amplifier operates referenced to V_{CC}.</p>	<p style="text-align: right; font-size: small;">A08606</p>
45	IF output	The IF amplifier load	<p style="text-align: right; font-size: small;">A08607</p>
46	AM antenna damping drive output Wide band AGC input	<p>$I_{46} = 6 \text{ mA}$ (maximum) This is the antenna damping current.</p>	<p style="text-align: right; font-size: small;">A08608</p>

Continued on next page.

LA1780M

Continued from preceding page.

Pin No.	Function	Description	Equivalent circuit
47	FM muting on level adjustment	Modify the value of the external resistor to adjust the muting on level.	<p style="text-align: right;">A08609</p>
48 57	RF AGC bypass RF AGC	<p>RF AGC rectification capacitor The low frequency distortion is determined as follows: Increasing C48 and C57 improves the distortion but makes the response slower. Reducing C48 and C57 aggravates the distortion but makes the response faster.</p>	<p style="text-align: right;">A08610</p>
50 51	IF bypass FM IF input	Due to the high gain of the limiter amplifier, care must be taken when choosing the grounding point for the limiter amplifier input capacitor to prevent oscillation.	<p style="text-align: right;">A08611</p>
52	IF input	The input impedance is 2 kΩ.	<p style="text-align: right;">A08612</p>

Continued on next page.

LA1780M

Continued from preceding page.

Pin No.	Function	Description	Equivalent circuit
53 56	IF amplifier output IF amplifier input	<ul style="list-style-type: none"> • Input and output pin or the first IF amplifier • Inverting amplifier <p>V56 = 2 V Input impedance: $R_{IN} = 330 \Omega$ V53 = 5.3 V Output impedance $R_{OUT} = 330 \Omega$</p>	<p style="text-align: right; font-size: small;">A08613</p>
54 49	Mixer output: 130 μ A Mixer input	<p>The mixer coil connected to the pin 54 mixer output must be wired to V_{CC} (pin 40). The pin 49 mixer input impedance is 330 Ω.</p>	<p style="text-align: right; font-size: small;">A08614</p>
55 58	W-AGC IN AM SD ADJ N-AGC IN Muting attenuation adjustment pin	<p>Pins 55 and 58 include built-in DC cut capacitors. The AGC on level is determined by the values of the capacitors C1 and C2.</p> <p>Pin 55 functions as the SD sensitivity adjustment pin in AM mode.</p> <p>The output current I55 is 50 μA, and V55 varies depending on the value of the external resistor. The SD function operates by comparing V55 with the S-meter voltage.</p>	<p style="text-align: right; font-size: small;">A08615</p>

Continued on next page.

LA1780M

Continued from preceding page.

Pin No.	Function	Description	Equivalent circuit						
59 60 63 64	Mixer output Mixer input	<p>Double balanced mixer Pins 60 and 61 are the mixer 10.7-MHz output</p> <p>Pins 63 and 64 are the mixer input. This is an emitter insertion type circuit, and the amount of insertion is determined by the capacitors C1 and C2.</p> <p>Note: The lines for pins 63 and 64 must be kept separated from the lines for pins 60 and 61.</p>	<p style="text-align: right; font-size: small;">A08616</p>						
6	Front end V _{CC} AM/FM switching	<p>Pin 62 functions both as the FM front end V_{CC} and the AM/FM switching circuit.</p> <table border="1" style="margin-left: auto; margin-right: auto; border-collapse: collapse;"> <thead> <tr> <th style="padding: 2px;">V6 voltage</th> <th style="padding: 2px;">Mode</th> </tr> </thead> <tbody> <tr> <td style="padding: 2px;">When 8 V</td> <td style="padding: 2px;">→ FM</td> </tr> <tr> <td style="padding: 2px;">OPEN</td> <td style="padding: 2px;">→ AM</td> </tr> </tbody> </table>	V6 voltage	Mode	When 8 V	→ FM	OPEN	→ AM	<p style="text-align: right; font-size: small;">A08617</p>
V6 voltage	Mode								
When 8 V	→ FM								
OPEN	→ AM								
62	1st MIX INPUT	<p>First mixer input The input impedance is about 10 kΩ.</p>	<p style="text-align: right; font-size: small;">A08618</p>						
10	AM 2nd OSC	<p>Crystal oscillator circuit The Kinseki, Ltd. HC-49/U-S and a C_L of 20 pF must be used.</p>	<p style="text-align: right; font-size: small;">A08619</p>						

Continued on next page.

Usage Notes

1. Notes on V_{CC} and Ground

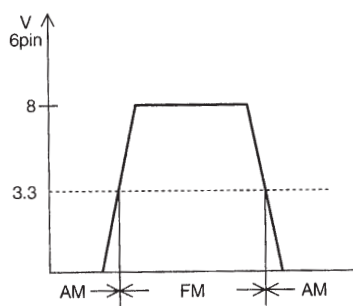
Pin 40	V_{CC} for the FM IF, AM, NC, MPX, and MRC blocks
Pin 25	Ground for the FM IF and AM blocks
Pin 14	Ground for the NC, MPX, and MRC blocks
Pin 61	V_{CC} for the FM front end, AM first mixer, and first oscillator blocks
* Pin 6	V_{CC} for the FM front end and AGC blocks, and the AM/FM switching pin
Pin 3	Ground for the FM front end, first mixer, and first oscillator blocks

2. Notes on AM Coil Connection

The V_{CC} used for the first oscillator coil connected to pin 7 must be at the same potential as pin 61. Connect to the IFT connected with pin 45, and to the MIX coil connected with pin 54. V_{CC} must be at the same potential as pin 40.

3. AM/FM Switching

Pin 6 is also used as the FM front end and RF AGC V_{CC}



Pin 6 voltage	Mode
8	FM
OPEN	AM

A08620

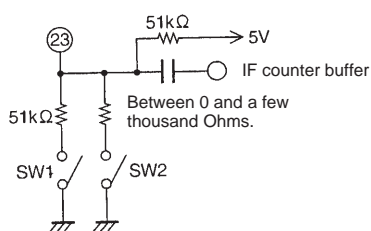
4. Relationship between Pin 23 and Pin 26

• FM mode

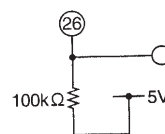
Pin 26 functions as both the stereo indicator and the SD pin.

Pin 23: DC-input seek/stop pin (control pin)

AC output IF counter buffer pin



A08621

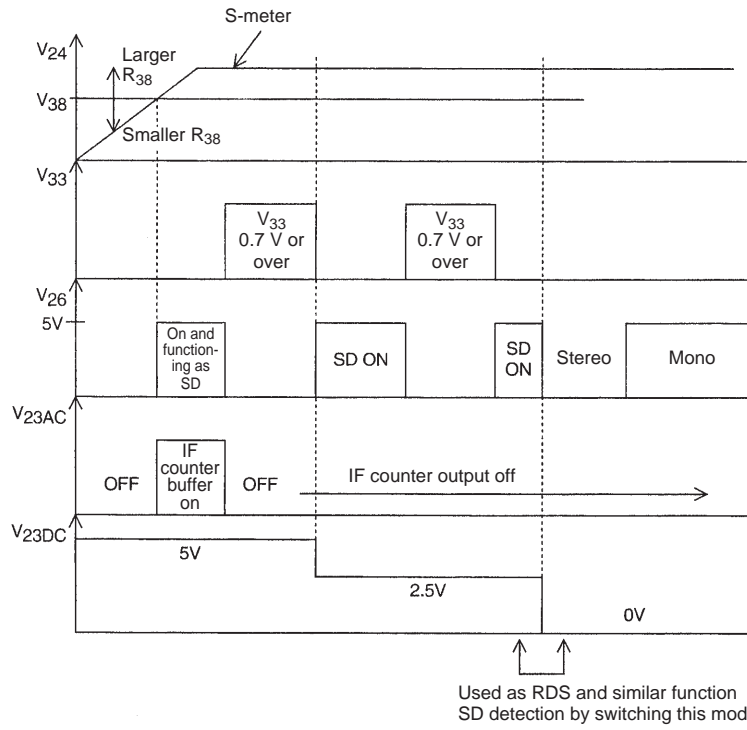


A08622

The Pin 23 Control Function and the Relationship between Pin 23 and Pin 26

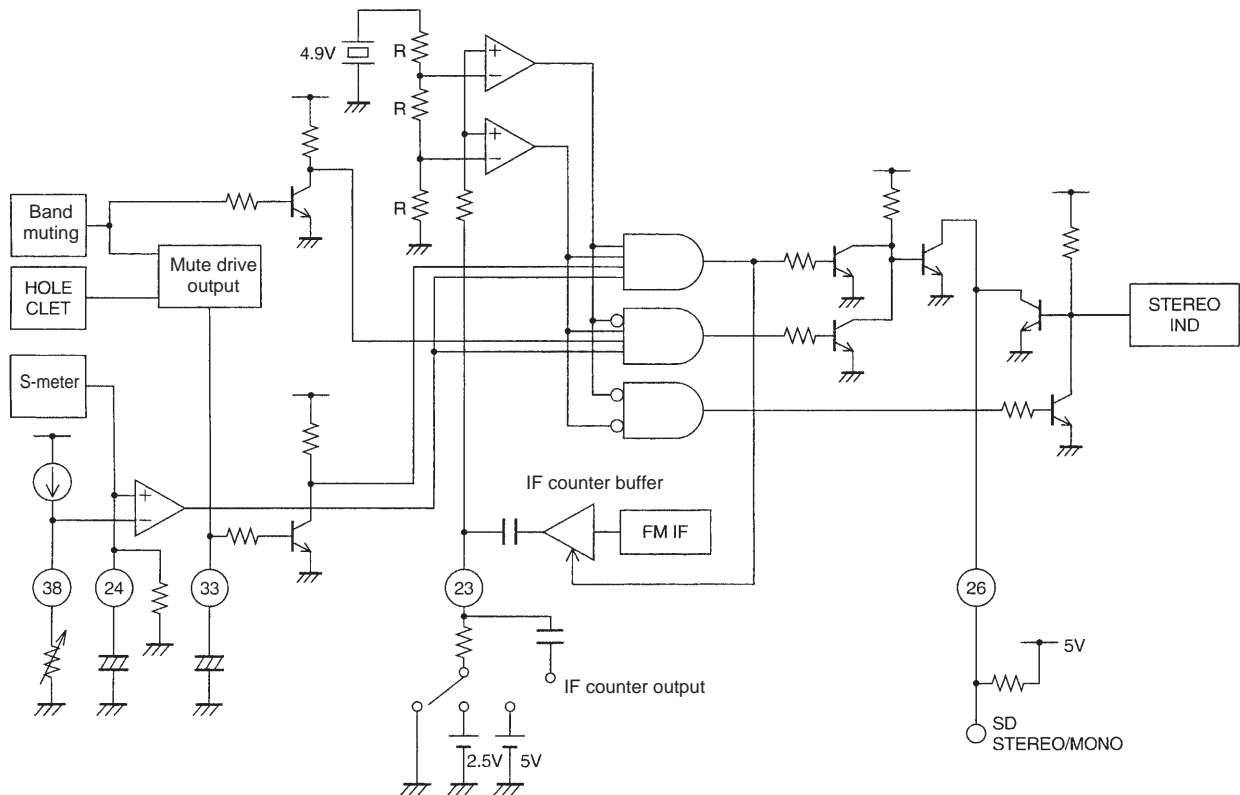
SW1	SW2	Pin 23 voltage	Pin 26	Pin 26
OPEN	OPEN	5 V	IF counter buffer on	SD
ON	OPEN	2.5 V	OFF	High-speed SD
—	ON	Under 0.7 V	OFF	Stereo indicator

LA1780M



A08623

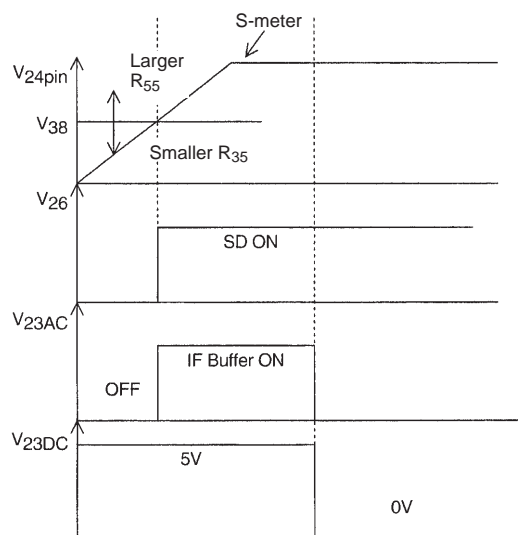
Notes on FM SD



A08624

LA1780M

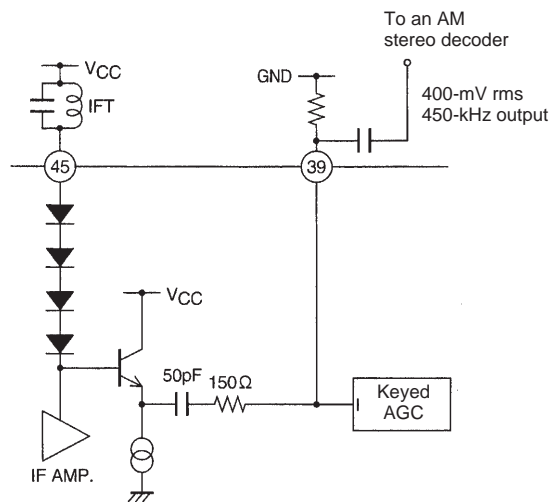
- AM mode



A08625

Pin 55: AM SD Adjustment Pin

- Pins that support AM stereo



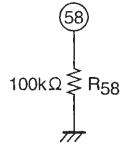
A08626

- To attenuate the pin 39 AC level:
Add a capacitor between pin 39 and ground.
For example, if a capacitor is added between pin 39 and ground, and pin 51 is attached, the AM IF output will be reduced by about 6 dB.

LA1780M

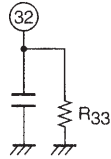
- Notes on the muting attenuation

The resistor between pin 58 and ground switches the muting attenuation to one of three levels, -20, -30, and -40 dB. This is also related to the tuner's total gain.



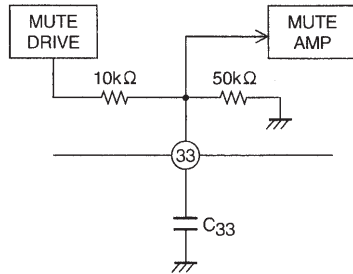
A08627

R	Mute ATT
OPEN	-20 dB
200k	-30 dB
30k	-40 dB



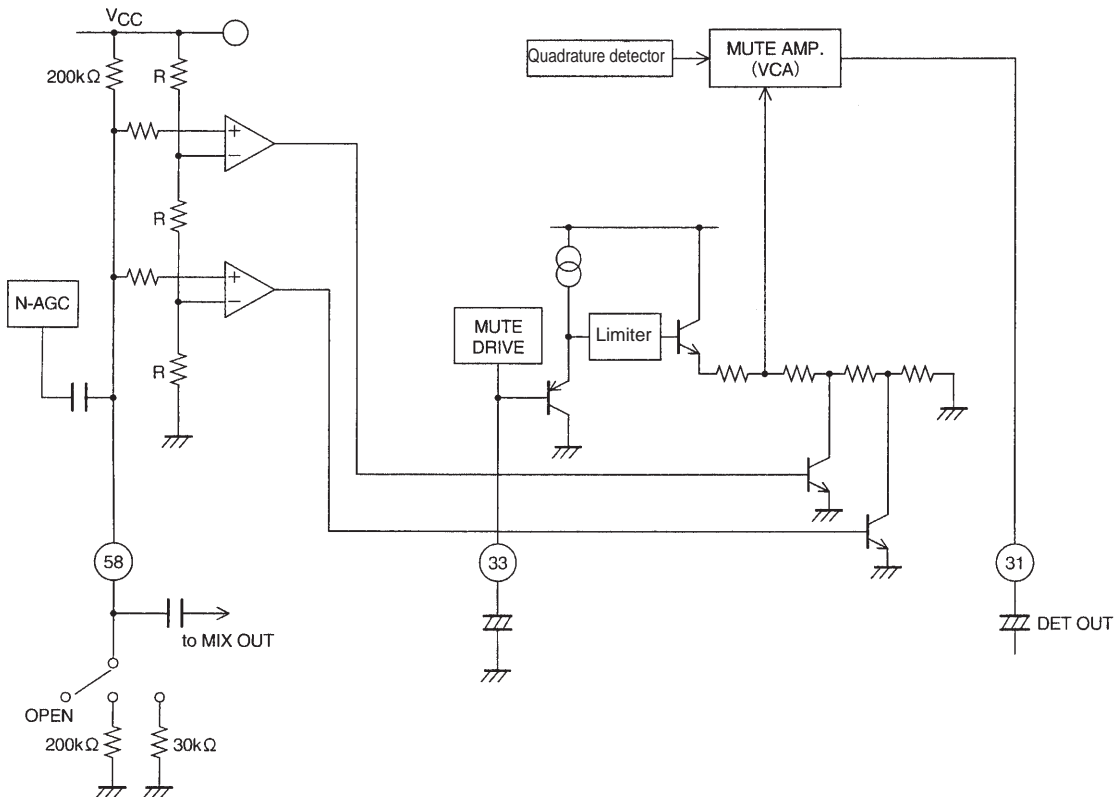
A08628

If R33 is reduced, the attenuation will be reduced as listed in the table above.



A08629

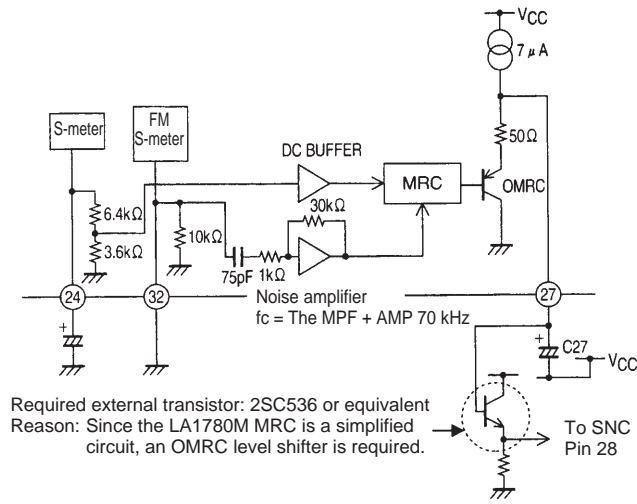
Muting time constants
 Attack: $10\text{ k} \times C33$
 Release: $50\text{ k} \times C33$



A08630

LA1780M

• MRC circuit



A08631

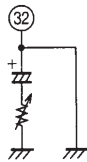
- If there is no AC noise on pin 32:

$$V_{24} = V_{27} - V_{BE}$$

↑
Q_{MRC}

V₂₇ will be about 2.5 V for an antenna input of 60 dBμ or higher.

- Since the MRC noise amplifier gain is fixed, the MRC circuit is adjusted by reducing the AC input level.

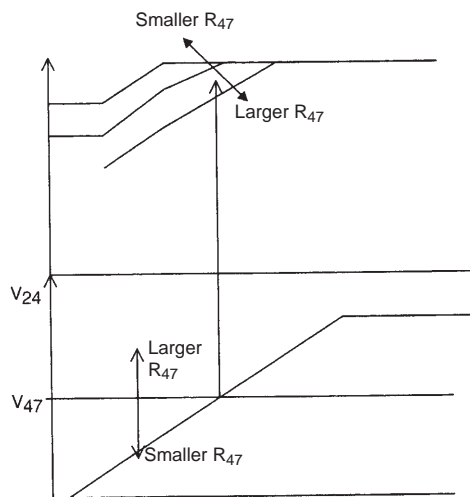


A08632

- The MRC circuit attack and release times are determined by the capacitor C27 on pin 27.

Attack: $7 \mu\text{A} \times C_{27}$
 Release: $500 \Omega \times C_{27}$

5. FM Soft Muting



A08633

By comparing the pin 47 mute on adjustment voltage to the S-meter voltage (V₂₄), the muting on point can be adjusted.

• Noise canceller notes

The characteristics of the noise canceller have been improved by implementing the circuit that determines the gate time in logic. In earlier noise canceller circuits, since the time constant was determined with an RC circuit such as the one shown in figure 5, the rise time was influenced by the RC circuit time constant as shown in figure 6. This meant that the rise was delayed and the associated switching delay resulted in a reduction of the circuit's ability to exclude noise.

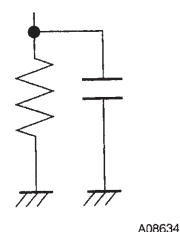


Figure 5

In the LA1780M, the rise time is made shorter by implementing the circuit that determines the gate time in logic. This allows the LA1780M to eliminate noise reliably.

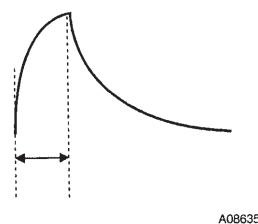


Figure 6

• Gain distribution (FM)

This section analyzes the gain in each of the blocks in the LA1780M when the Sanyo recommended circuit is used.

Test conditions

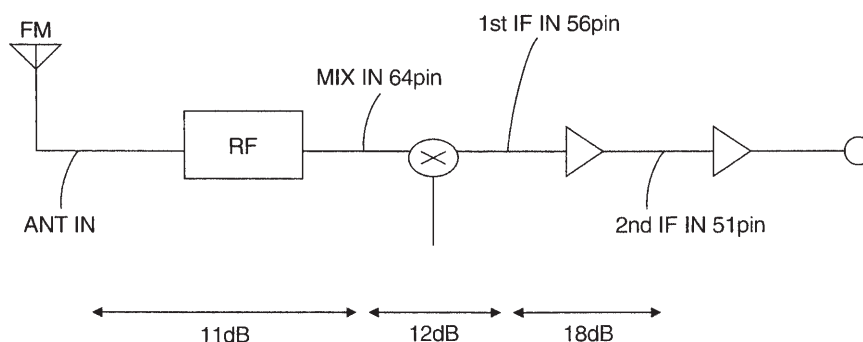
- Ambient temperature: 26°C
- Antenna and mixer input frequency: 98.1 MHz
- First and second IF input frequency: 10.7 MHz

Input levels when VSM = 2 V were measured to be:

- Antenna input: 19 dBμ
- Mixer input: 30 dBμ
- First IF input: 42 dBμ
- Second IF input: 60 dBμ

These values allow the gains in each block to be calculated as follows.

- RF gain: 11 dB
- Mixer gain: 12 dB



A08636

AM

This section analyzes the gain in each of the blocks in the LA1780 when the Sanyo recommended circuit is used.

Test conditions

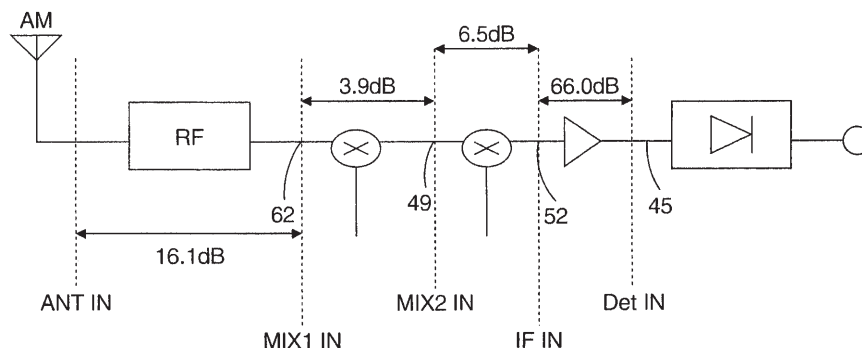
- Ambient temperature: 26°C
- Antenna and mixer 1 input frequency: 1 MHz
- Mixer 2 input frequency: 10.71 MHz
- IF and detector input frequencies: 450 kHz
- An AM dummy is attached.

When an input level such that the output becomes -35 dBm is determined, the I/O characteristics of each stage were determined to be as follows:

- Antenna input: 9.5 dBμ
- Mixer 1 input: 25.6 dBμ
- Mixer 2 input: 29.5 dBμ
- IF input: 36.0 dBμ
- Detector input: 102.0 dBμ

These values allow the gains in each block to be calculated as follows.

- RF gain: 16.1 dB
- Mixer 1 gain: 3.9 dB
- Mixer 2 gain: 6.5 dB
- IF gain: 66.0 dB



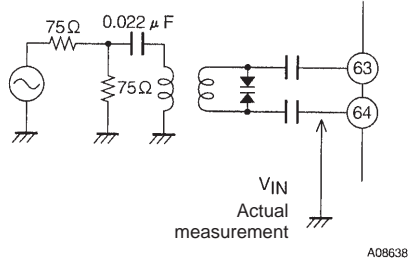
A08637

LA1780M

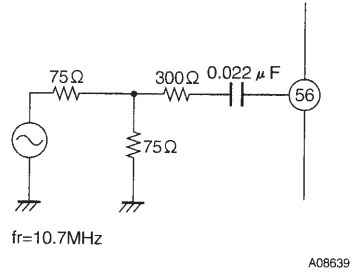
- Input circuits used at each stage

[FM]

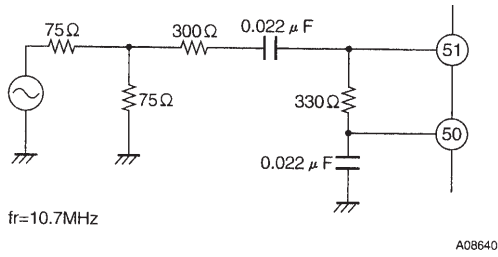
Mixer input



First IF input

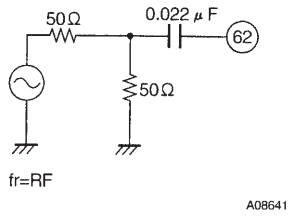


IF input

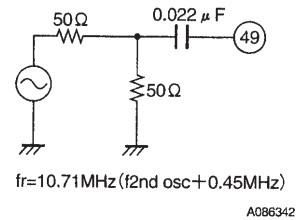


[AM]

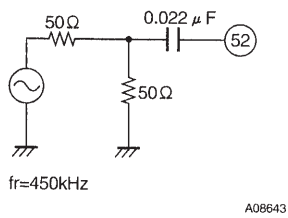
First mixer input



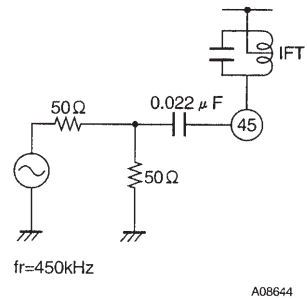
Second mixer input



IF input

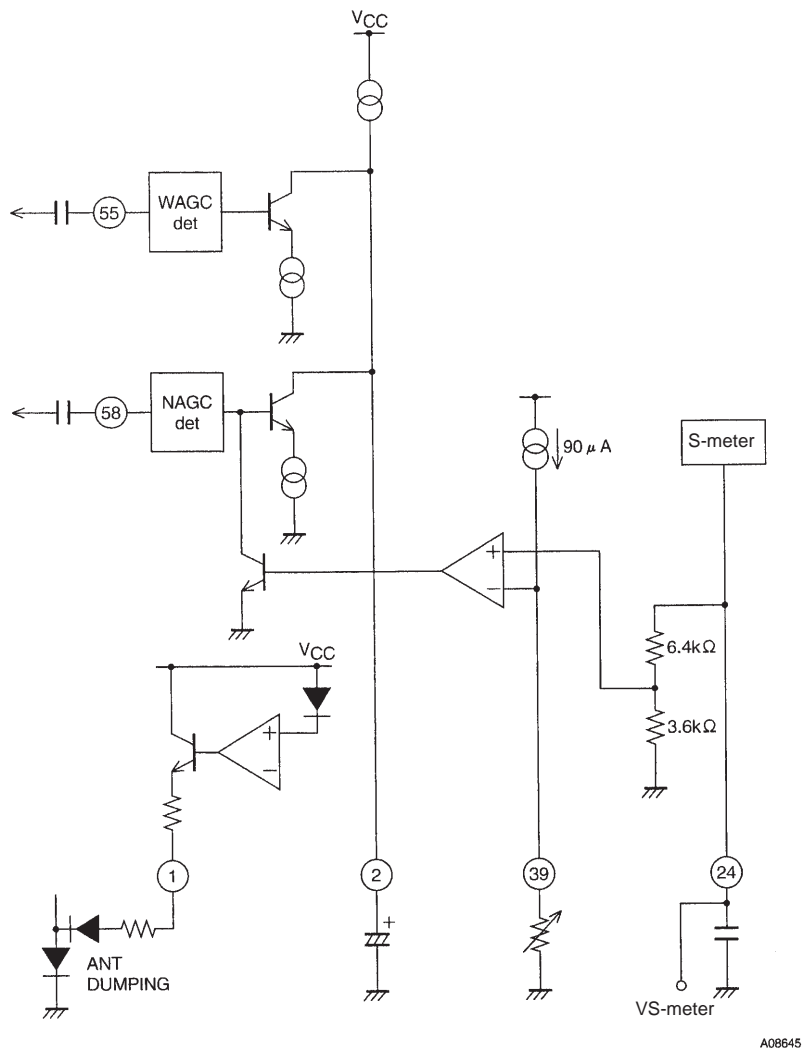


Detector input



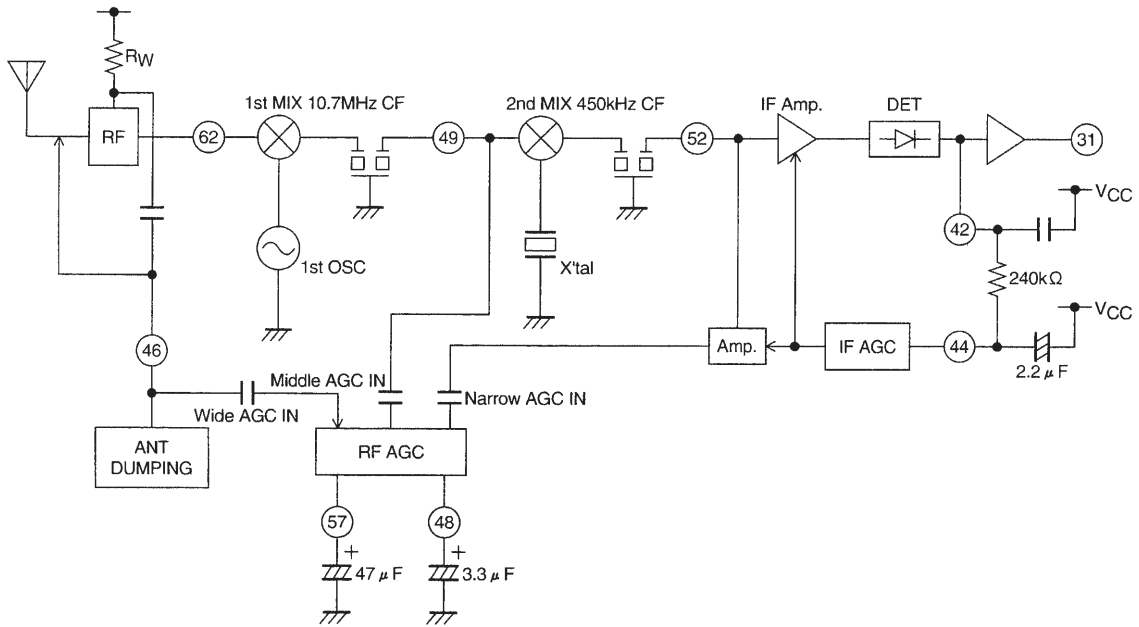
LA1780M

- 3D AGC (keyed AGC) settings



- The antenna damping function operates by providing the pin diode antenna damping current from the pin when the pin 2 voltage becomes equal to $V_{CC} - V_{BE}$.
- The noise AGC circuit operates as follows:
When the pin 39 voltage is greater than $(6.4/3.6)$ times the pin 24 voltage, the AGC circuit is off.
When the pin 39 voltage is less than $(6.4/3.6)$ times the pin 24 voltage, the AGC circuit is on.

AM AGC System

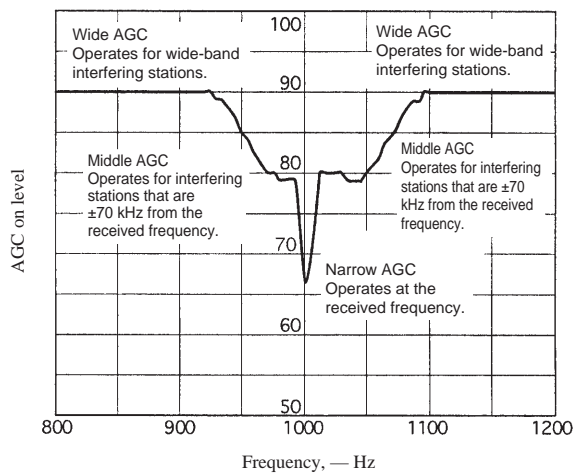


A08646

The LA1780M RF AGC is picked up from three locations.

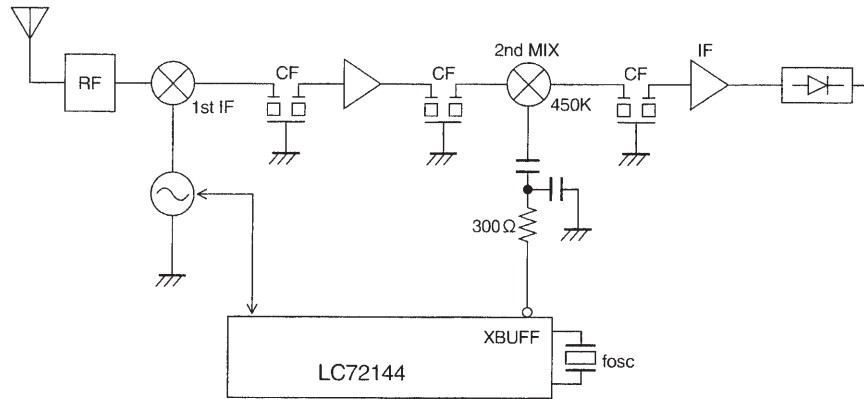
- The wide AGC determined by R_w
- The middle AGC picked up from the pin 49 second mixer input
The operating bandwidth is 150 kHz to 180 kHz (the bandwidth of the 10.7 MHz CF)
- The narrow AGC picked up from pin 52
The operating bandwidth is 7 kHz (the bandwidth of the 450 kHz CF)

AM AGC Frequency Characteristics



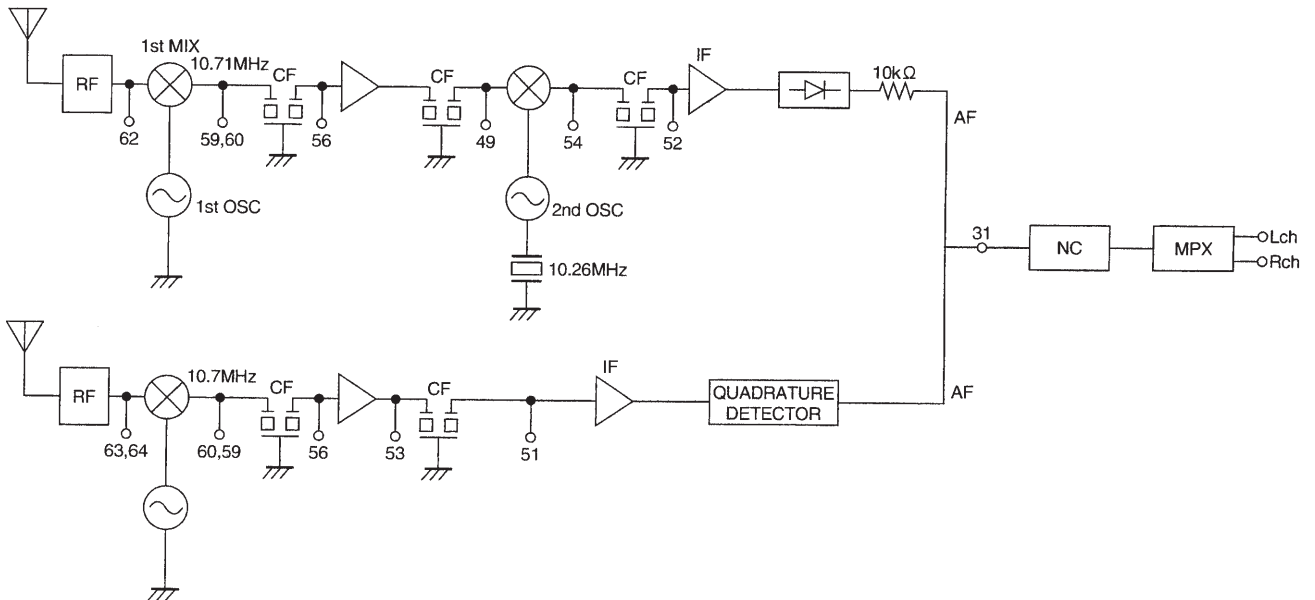
LA1780M

- Sample AM application using the LC72144 and the LA1780M



A08647

		AM 1st IF	Step	FM IF
1	f_{osc} 10.25 MHz	10.7 MHz	10 K, 1 K	10.7 MHz
2	f_{osc} 10.35 MHz	10.8 MHz	9 K, 10 K	10.8 MHz



A08648

LA1780M

Crystal Oscillator Element (Kinseki, Ltd.)

HC-49/U-S

Frequency: 10.26 MHz

Load capacitance: 20 pF

Equivalent series resistance: 90 Ω

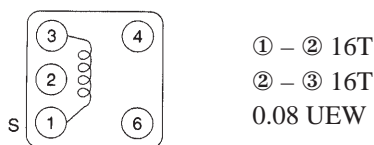
Coil Specifications (SUMIDA ELECTRIC CO., LTD.)

Application:

	Prototype number	Model number
[AM Block]		
AM FILTER	SA-1051	Y-5G (For the first mixer input: 5 mm diagonal)
AM OSC	SA-359	S-7LB
AM IF1 (MIX)	SA-264	PG78
	SA-1111	PG57 (5 mm, high reliability)
	SA-1009	P-5DJ (5 mm diagonal)
AM IF2	SA-1063	PG78
	SA-1112	PG57 (5 mm, high reliability)
	SA-265	P-5DJ (5 mm diagonal)
AM loading	SA-1062	MG78
AM antenna input	SA-1048	MG78
AM RF amplifier	RC875-222J	RC875
[FM Block]		
FM RF	SA-1060	S-7LDJ
FM ANT	SA-1061	S-7LDJ
FM OSC	SA-1052	S-7LDJ
FM MIX	SA-266	P-7LFJ (Double balanced mixer)
FM DET	SA-208	QU-7L (Quadrature detector)
	SA-360	QU57 (5 mm diagonal, quadrature detector)

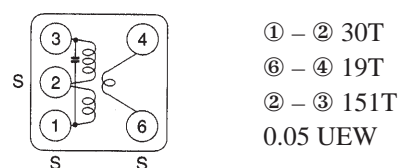
AM Block

• SA-359 (AM FILTER)



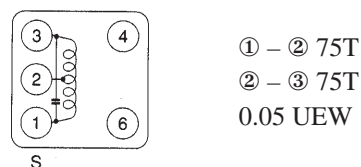
A10746

• SA-264 (AM IF1)



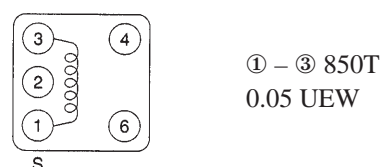
A10747

• SA-1063 (AM IF2)



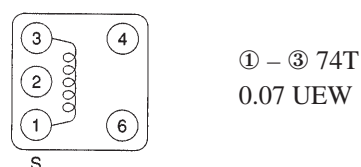
A10748

• SA-1062 (AM loading)



A10749

• SA-1048 (AM ANT IN)

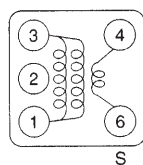


A10750

LA1780M

FM Block

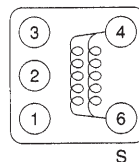
• SA-1060 (FM RF)



A10751

⑥ - ④ 1T
 0.10 UEW
 ③ - ① 3T
 ③ - ① 3T
 0.16 UEW

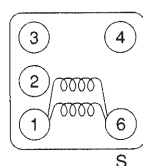
• SA-1061 (FM ANT)



A10752

⑥ - ④ 3T
 ⑥ - ④ 3T
 0.16 UEW

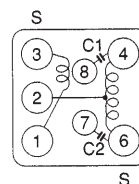
• SA-1052 (FM OSC)



A10753

⑥ - ① 2T
 ⑥ - ① 2T
 0.18 UEW

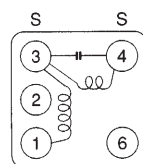
• SA-266 (FM MIX)



A10754

③ - ① 3T
 ⑥ - ② $6\frac{1}{2}$ T
 ② - ④ $6\frac{1}{2}$ T
 0.10 UEW

• SA-208 (FM DET)



A10755

④ - ③ $18\frac{1}{4}$ T
 0.08 UEW
 ③ - ① $70\frac{1}{4}$ T
 0.06 UEW

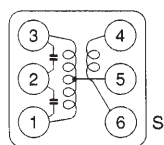
Coil Specifications (Toko INC)

[AM Block]	Toko Part No.
AM ANT	269ANS-0720
ANT	385BNS-027Z
Choke	187LY-222K
MIX LPF	A286LBIS-15327
AM 2nd MIX	L7TCS-3039A
AM OSC	V666SNS-213BY
AM IFT2	7PSG-5002
[FM Block]	
AM, FM, MIX	3710H-1108FYH
FM DET	DM600DEAS-8407
FM ANT	666SNS-219NK
FM RF	666SNS-218AQ
FM OSC	V666SNS-205APZ

LA1780M

FM Block

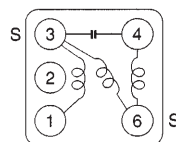
- 3710H-1108FYH (AM • FM • MIX)



A10756

$$\begin{aligned} \textcircled{3} - \textcircled{1} & 13\text{T} \\ \textcircled{3} - \textcircled{5} & 6\frac{1}{2}\text{T} \\ \textcircled{5} - \textcircled{1} & 6\frac{1}{2}\text{T} \\ \textcircled{6} - \textcircled{4} & 2\text{T} \\ & 0.07\phi \text{ ZUEW} \end{aligned}$$

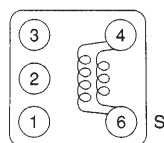
- DM600DEAS-8407GLF (FM DET)



A10757

$$\begin{aligned} \textcircled{6} - \textcircled{3} & 19\frac{1}{2}\text{T} \\ \textcircled{6} - \textcircled{4} & 2\frac{1}{2}\text{T} \\ \textcircled{3} - \textcircled{1} & 59\text{T} \\ & 0.07\phi \text{ ZUEW} \end{aligned}$$

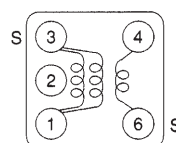
- 666SNS-219NK (FM ANT)



A10758

$$\begin{aligned} \textcircled{4} - \textcircled{6} & 2\frac{1}{2}\text{T} \\ & 0.1\phi \text{ ZUEW} \end{aligned}$$

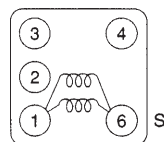
- 666SNS-218AQ (FM RF)



A10759

$$\begin{aligned} \textcircled{3} - \textcircled{1} & 2\frac{1}{2}\text{T} \\ \textcircled{6} - \textcircled{4} & 1\text{T} \\ & 0.1\phi \text{ ZUEW} \end{aligned}$$

- V666SNS 205APZ (FM OSC)

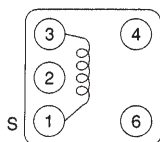


A10760

$$\begin{aligned} \textcircled{6} - \textcircled{1} & 2 \\ & 0.12\phi \text{ ZUEW} \end{aligned}$$

AM Block

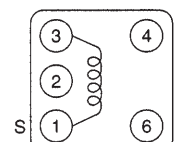
- 269ANS-072Z (AM ANT)



A10746

$$\begin{aligned} \textcircled{1} - \textcircled{3} & 60\text{T} \\ & 0.06 \text{ 3UEW} \end{aligned}$$

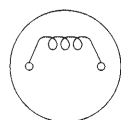
- 385BNS-027Z (ANT)



A10762

$$\begin{aligned} \textcircled{1} - \textcircled{3} & 60\text{T} \\ & 0.06\phi \text{ 3UEW} \end{aligned}$$

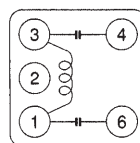
- 187LY-222K (Choke)



A10763

$$\begin{aligned} & 243 \\ & 0.1\phi \text{ ZUEW} \end{aligned}$$

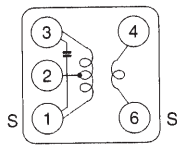
- A286LBIS-15327 (MIX LPF)



A10764

LA1780M

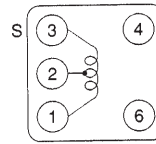
• L7TCS-3039A (AM 2nd MIX)



A10765

- ① - ③ 152T
- ① - ② 25T
- ② - ③ 127T
- ⑥ - ④ 16T
- 0.05 ϕ 3UEW

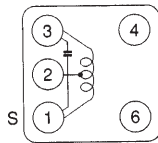
• V666SNS-213BY (AM OSC)



A10766

- ③ - ① $24\frac{1}{2}$ T
- ③ - ② $12\frac{1}{4}$ T
- ② - ① $12\frac{1}{4}$ T
- 0.1 ϕ ZUEW

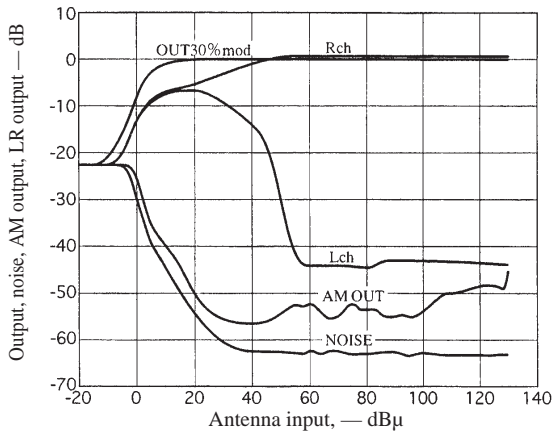
• 7PSG-500Z (AM IFTZ)



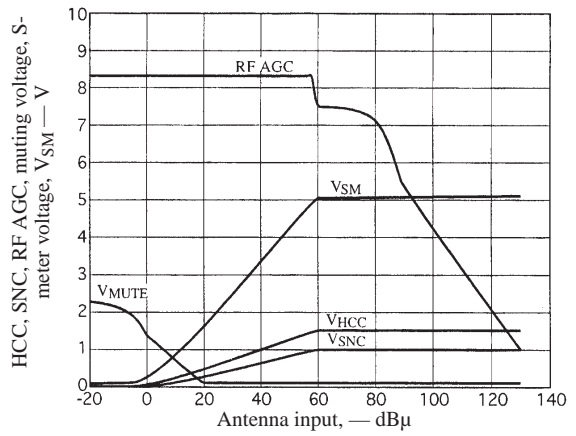
A10767

- ① - ③ 148T
- ① - ② 74T
- ② - ③ 74T
- 0.05 ϕ 3UEW

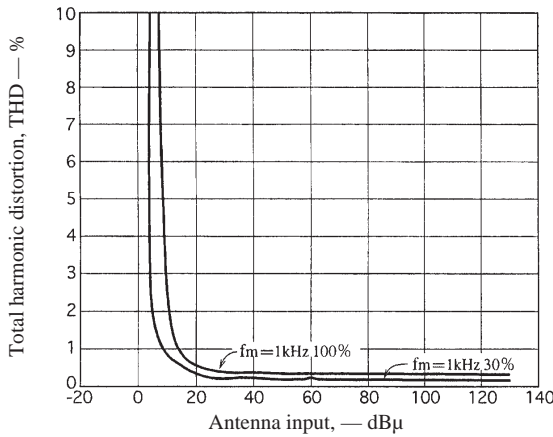
FM I/O Characteristics



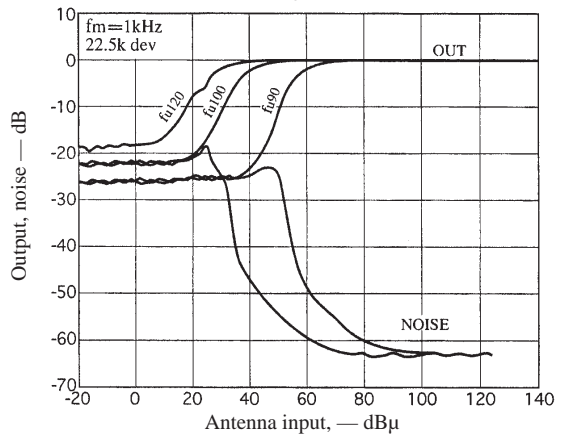
FM I/O Characteristics



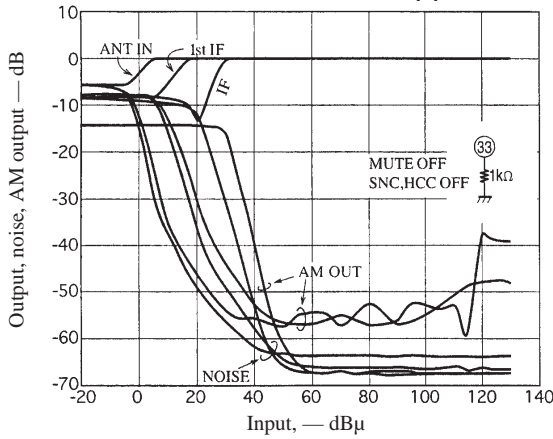
FM Distortion



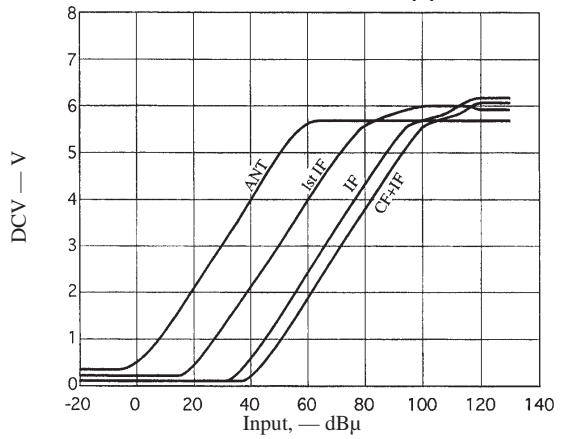
FM Sensitivity Suppression



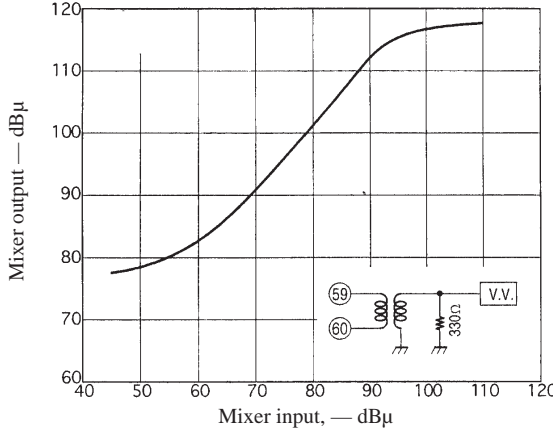
FM Gain Distribution (1)



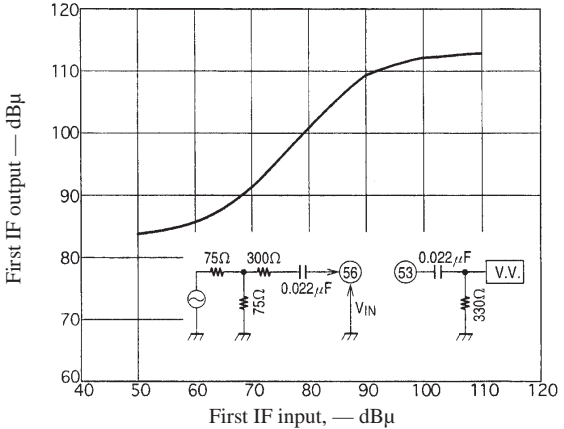
FM Gain Distribution (2)



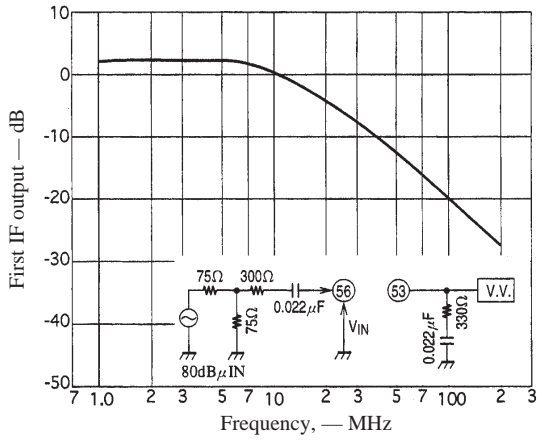
Mixer I/O Characteristics



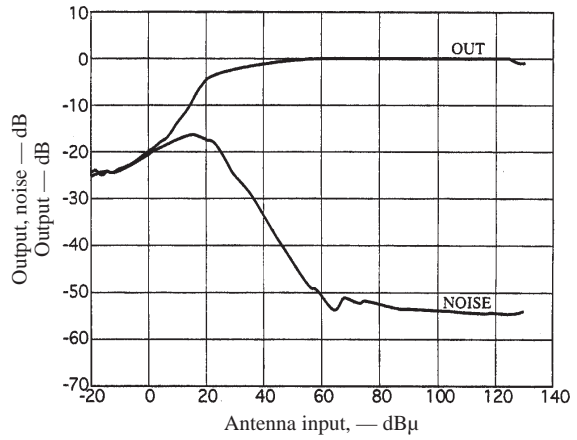
First IF I/O Characteristics



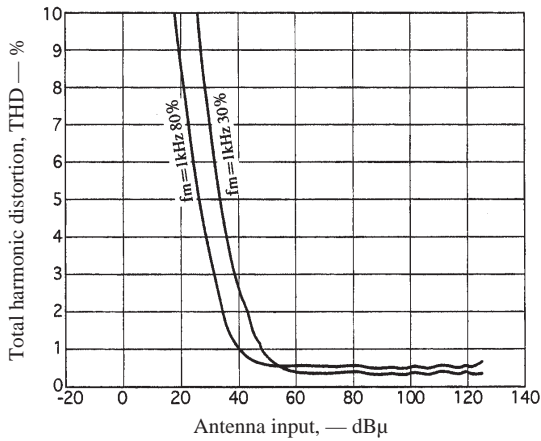
First IF Frequency Characteristics.



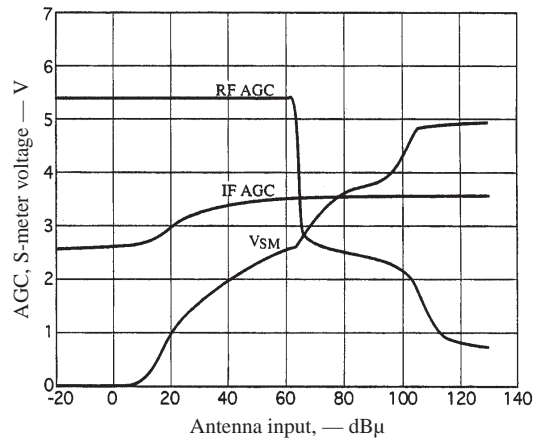
AM I/O Characteristics



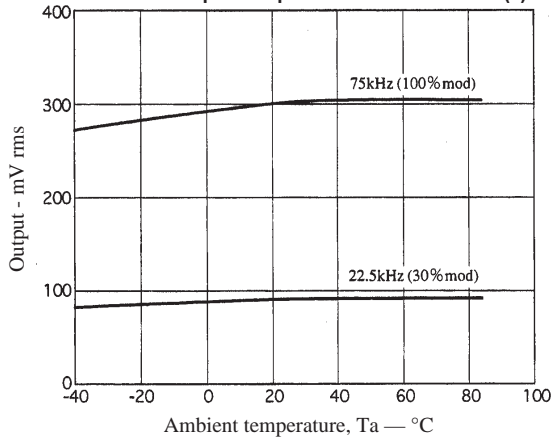
AM Distortion



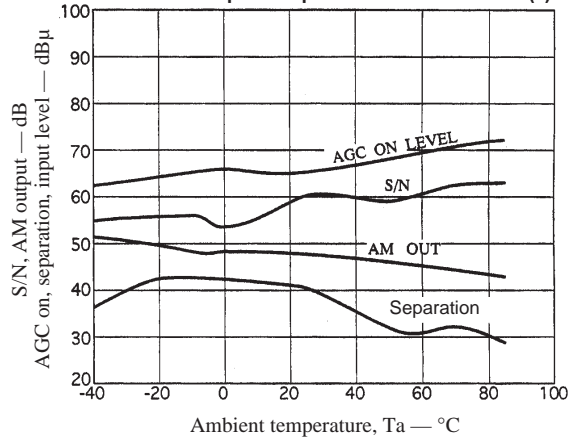
AM DC Characteristics



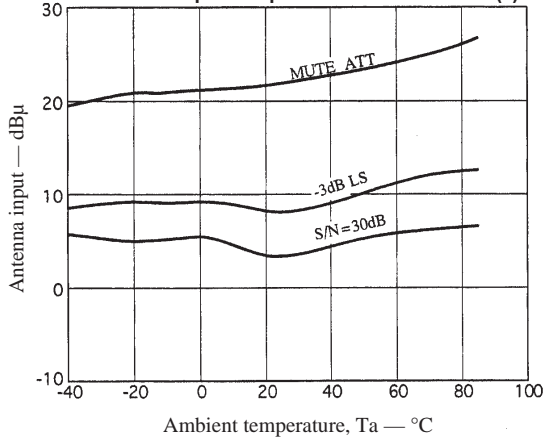
FM Antenna Input Temperature Characteristics (1)



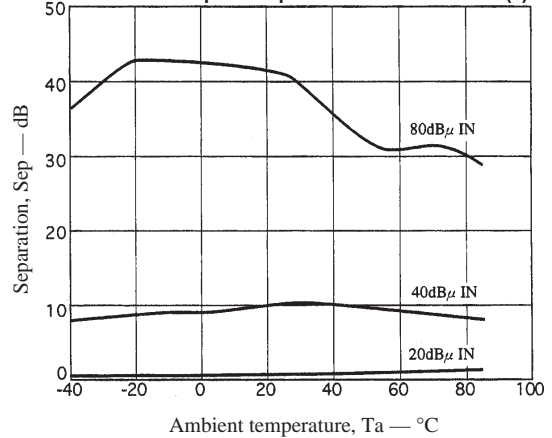
FM Antenna Input Temperature Characteristics (2)



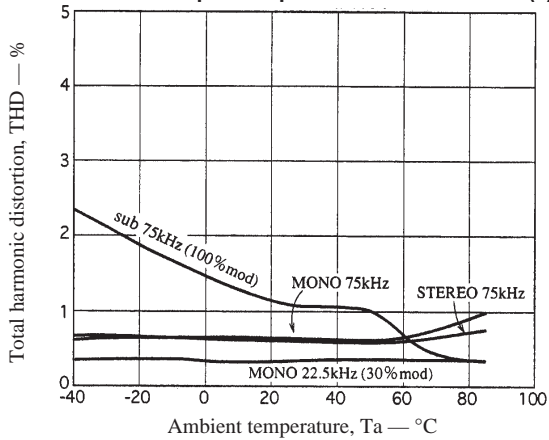
FM Antenna Input Temperature Characteristics (3)



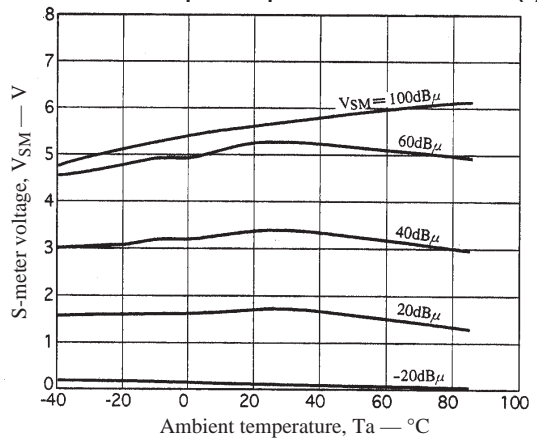
FM Antenna Input Temperature Characteristics (4)



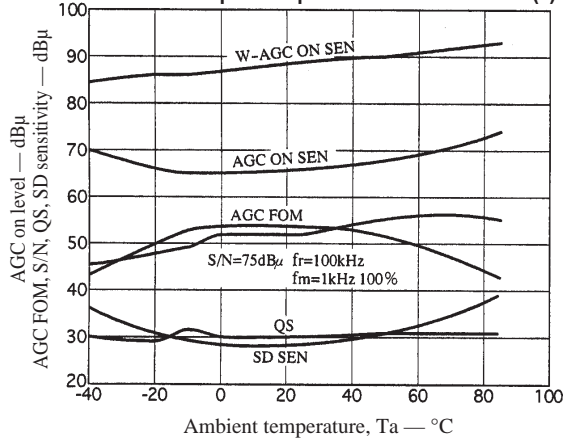
FM Antenna Input Temperature Characteristics (5)



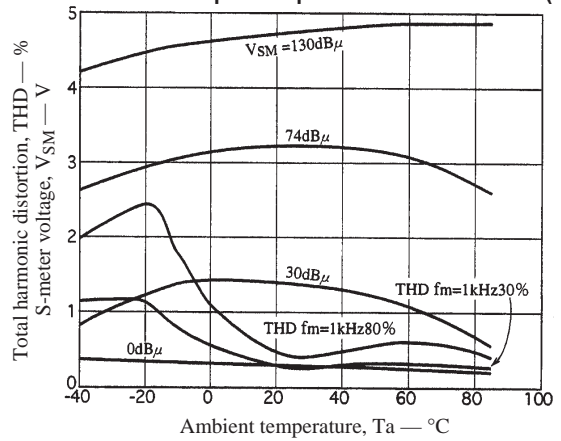
FM Antenna Input Temperature Characteristics (6)



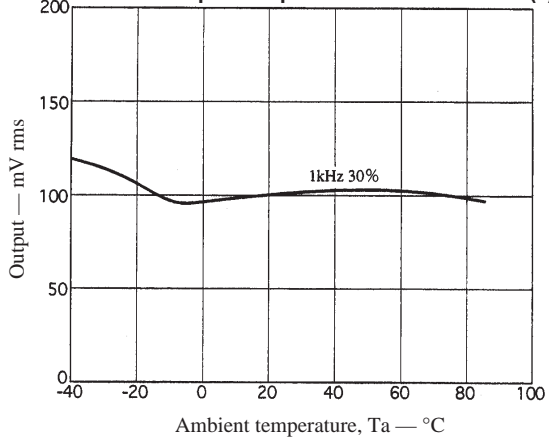
AM Antenna Input Temperature Characteristics (1)



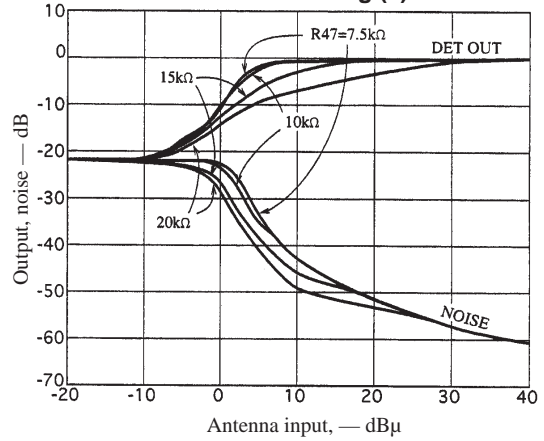
AM Antenna Input Temperature Characteristics (2)



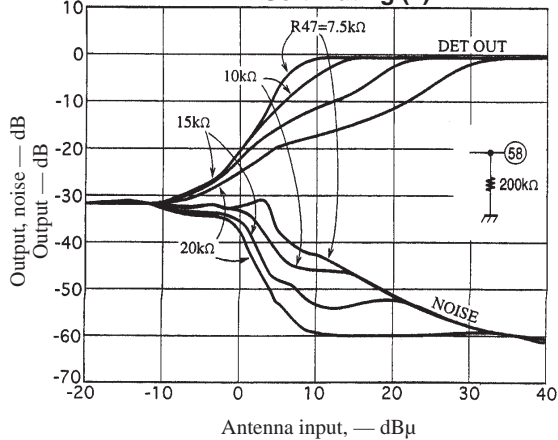
AM Antenna Input Temperature Characteristics (3)



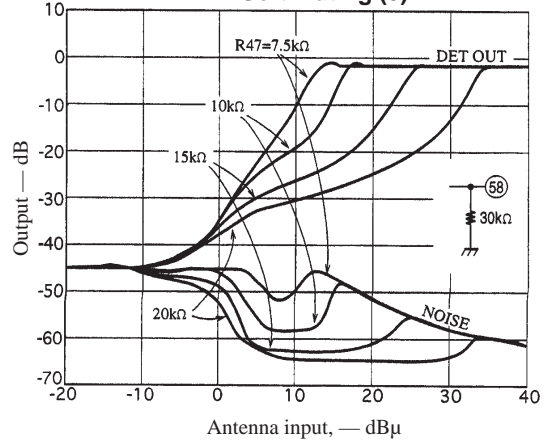
FM Soft Muting (1)

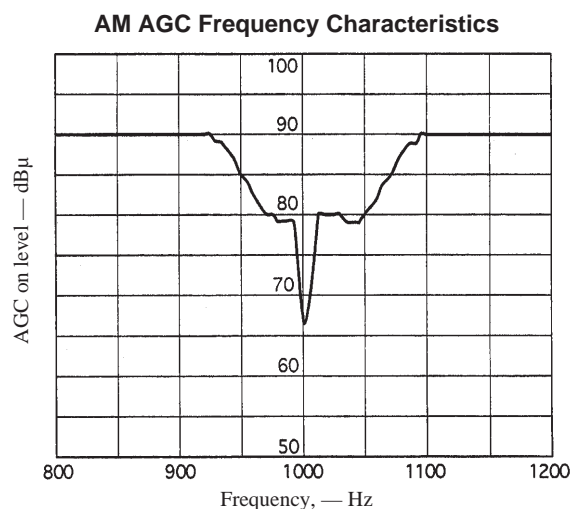
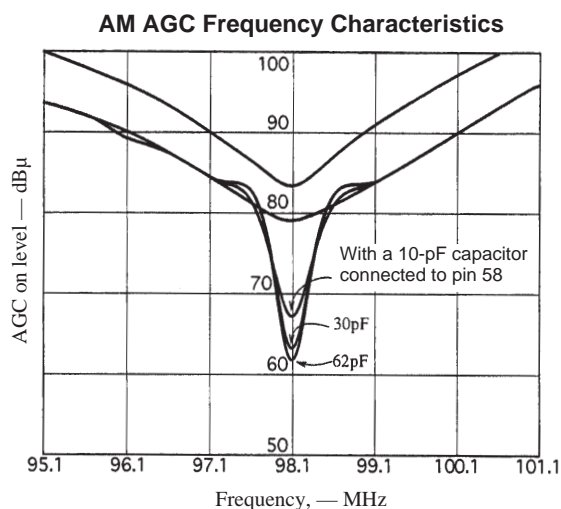


FM Soft Muting (2)



FM Soft Muting (3)





- Specifications of any and all SANYO products described or contained herein stipulate the performance, characteristics, and functions of the described products in the independent state, and are not guarantees of the performance, characteristics, and functions of the described products as mounted in the customer's products or equipment. To verify symptoms and states that cannot be evaluated in an independent device, the customer should always evaluate and test devices mounted in the customer's products or equipment.
- SANYO Electric Co., Ltd. strives to supply high-quality high-reliability products. However, any and all semiconductor products fail with some probability. It is possible that these probabilistic failures could give rise to accidents or events that could endanger human lives, that could give rise to smoke or fire, or that could cause damage to other property. When designing equipment, adopt safety measures so that these kinds of accidents or events cannot occur. Such measures include but are not limited to protective circuits and error prevention circuits for safe design, redundant design, and structural design.
- In the event that any or all SANYO products (including technical data, services) described or contained herein are controlled under any of applicable local export control laws and regulations, such products must not be exported without obtaining the export license from the authorities concerned in accordance with the above law.
- No part of this publication may be reproduced or transmitted in any form or by any means, electronic or mechanical, including photocopying and recording, or any information storage or retrieval system, or otherwise, without the prior written permission of SANYO Electric Co., Ltd.
- Any and all information described or contained herein are subject to change without notice due to product/technology improvement, etc. When designing equipment, refer to the "Delivery Specification" for the SANYO product that you intend to use.
- Information (including circuit diagrams and circuit parameters) herein is for example only; it is not guaranteed for volume production. SANYO believes information herein is accurate and reliable, but no guarantees are made or implied regarding its use or any infringements of intellectual property rights or other rights of third parties.

This catalog provides information as of March, 2000. Specifications and information herein are subject to change without notice.