

ALU-STAR Profile System, Supplement

Connectors

724 2220

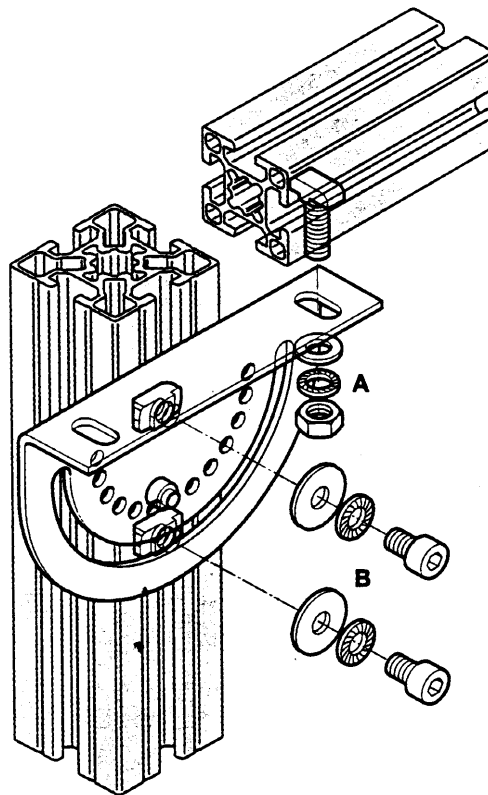
Swivel Bracket

- Material steel
- Finish/color galvanized

Fixing pins

- Material steel
- Finish/color galvanized

The short bracket limb is provided with oblong holes for connection of profiles. On the long bracket limb the profile is bolted down at the bracket pivot and the semi-circular slot. The holes on the pitch circle allow the profile to be locked into position in steps of 15°.



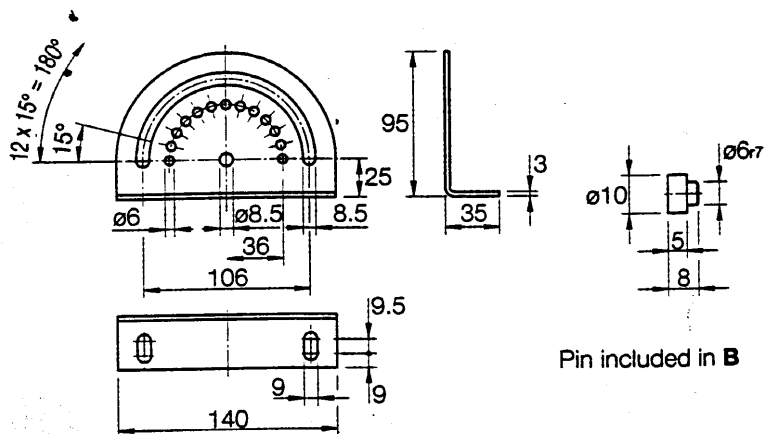
Scope of supply

Swivel bracket mounting kit

- 2 pcs. M8 x 12 socket head screw
- 2 pcs. washer
- 2 pcs. SG washer
- 2 pcs. M8 heavy-duty rabbeted nut
- 1 pc. slot locking pin

Tee bolt set

- 1 pc. M8x20 Tee bolt
- 1 pc. washer
- 1 pc. SG washer
- 1 pc. M8 nut



Description

Part number

Fig.

724-2220

Fig.	Description	Part number
→	Swivel bracket	0107-110-12
B	Swivel bracket mounting kit	0107-200-10
A	Tee bolt set M8 x 20	0107-100-29