

Video Modulator for FM/AM-Audio with PLL-Output

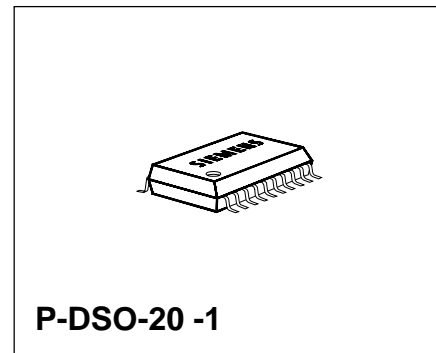
TDA 5670-5X

Preliminary Data

Bipolar IC

Features

- FM- and AM-audio modulator
- Symmetrical RF-oscillator output for PLL-control
- Sync level clamping of video input signal
- Controlling of peak white value
- Continuous adjustment of modulation depth for positive or negative values
- Symmetrical mixer output with separate ground area
- Symmetrical oscillator with separate RF-ground
- Low spurious radiation
- High stability of the RF-oscillator frequency
- High stability of the audio oscillator
- Internal reference voltage
- 12 V supply voltage



Type	Ordering Code	Package
TDA 5670-5X	Q67000-A5167	P-DSO-20-1 (SMD)
TDA 5670-5X	Q67006-A5167	P-DSO-20-1 Tape & Reel

Functional Description and Application

The monolithic integrated circuit TDA 5670-5X is especially suitable as a modulator for the 48- to 860-MHz frequency range.

Video recorders, cable converters, TV-converter networks, demodulators, video generators, video security systems, amateur TV-applications and personal computers.

Circuit Description

Oscillator

The RF-oscillator is available at pins 3-7. The oscillator operates as a symmetrical Colpitts circuit. The oscillator chip ground, pin 5, should be connected to ground at the resonance circuit shielding point. An external oscillator can be injected inductively or capacitively via pins 3 and 7. The layout of the PCB should be such as to provide a minimum shielding attenuation between the oscillator pins 3-7 and modulator output pins 15-17 of approximately 80 dB.

For optimal residual carrier suppression, the symmetrical mixer outputs at pins 15, 17 should be connected to a matched balanced-to-unbalanced broadband transformer, e.g. a Guanella transformer with good phase precision at 0° and 180° . The transmission loss should be less than 3 dB. In addition, an LC-low pass filter combination is required at the output. The cut-off frequency of the low pass filter combination must exceed the maximum operating frequency.

Video

The video signal with the negative synchronous level is capacitively connected to pin 12. The internal clamping circuit is referenced to the synchronizing level. Should the video signal change by 6 dB, this change will be compensated by the resonance circuit which is set by the peak white value. At pin 13, the current pulses of the peak white detector are filtered through the capacitor which also determines the control time constant. The RF-carrier switches from negative to positive video modulation, when pin 14 is connected to ground. By varying the value of resistance R at pin 14 between $\infty \dots 0 \Omega$ the modulation depth can be increased from 70% to 100% when the modulation is negative and decreased from 100% to 70% when the modulation is positive.

Audio

Via pin 1, the audio signal is capacitively coupled to the AF-input for the FM-modulation of the oscillator. A parallel resonance circuit is connected to the audio carrier oscillator at pins 19, 20. The unloaded Q of the resonant circuit must be $Q = 25$ and the parallel resistor $R_T = 8.2 \text{ k}\Omega$ to ensure a video to audio carrier ratio of 12.5 dB. At the same time, the capacitive and/or inductive reactance for the resonance frequency should have a value of $X_C \approx X_L \approx 800 \Omega$.

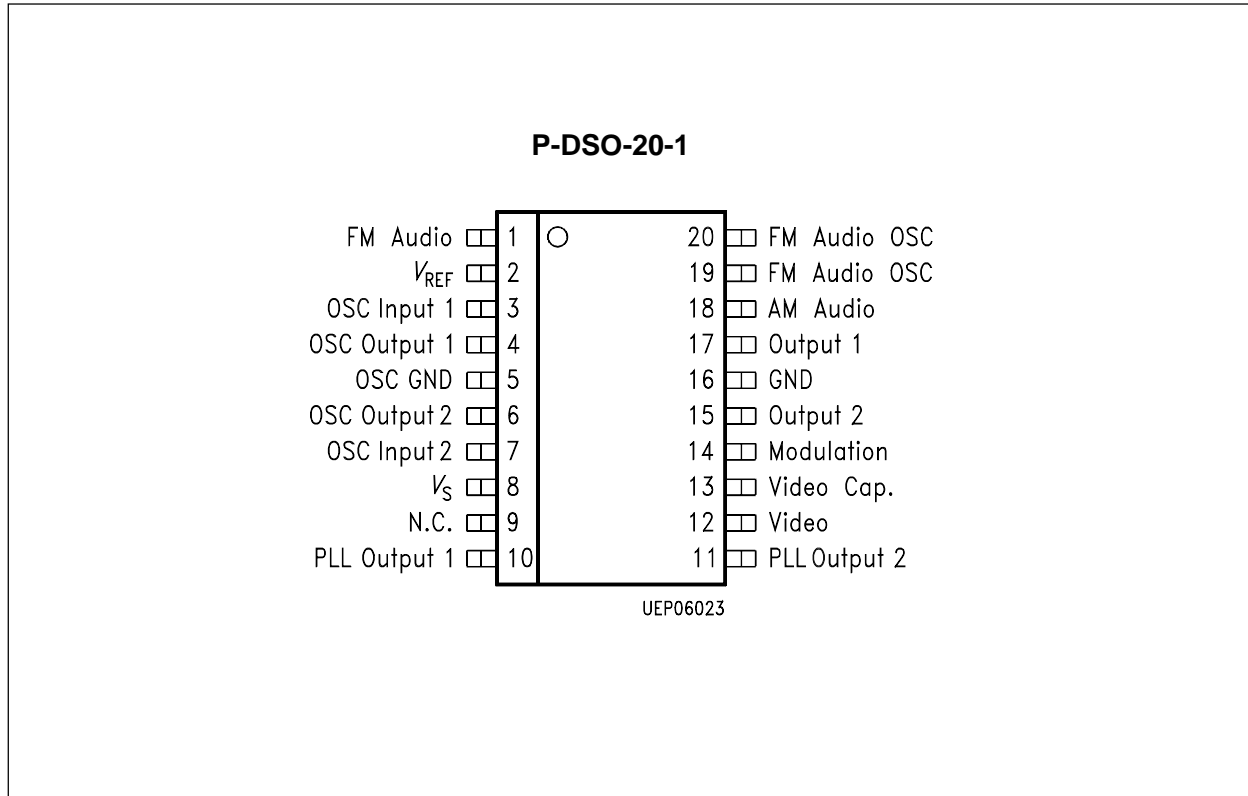
Via pin 18, the audio signal is capacitively coupled to the AF-input for the AM-modulation of the oscillator. This signal is forwarded to a mixer which is influenced by the AM-modulation input of pin 18. The video to audio carrier ratio can be changed by connecting an external voltage to pin 18, which deviates from the internal reference voltage. Through an additional external dc voltage at pin 18, the set AM-modulation index can be changed by overriding the internally adjusted control voltage for a fixed AM-modulation index.

At the output of the above described mixer the FM and/or AM modulated audio signal is added to the video signal and mixed with the oscillator signal in the RF-mixer.

Source

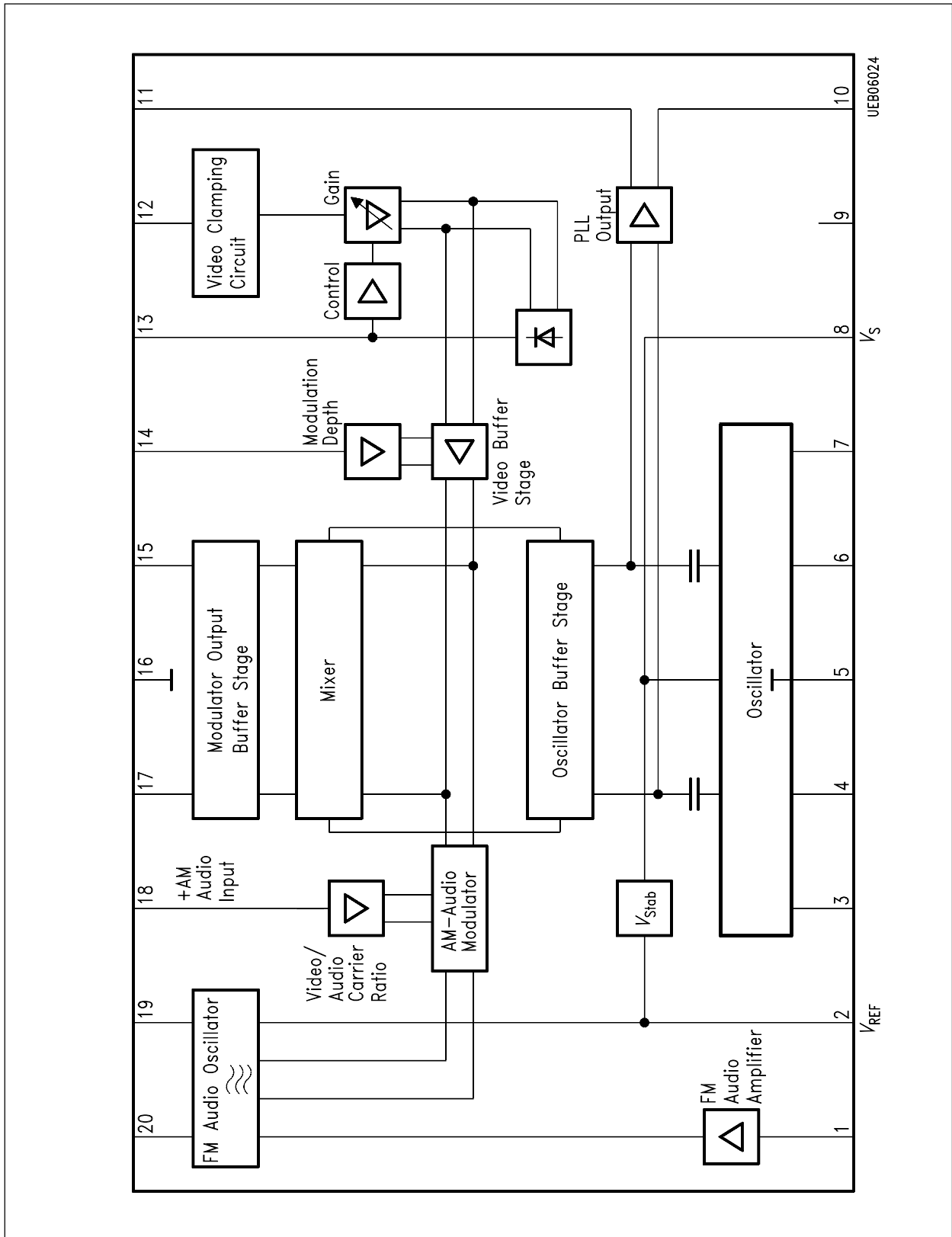
The internal reference voltage is available at pin 2 and has to be capacitively blocked there.

Pin Configuration (top view)



Pin Definitions and Functions

Pin No.	Symbol	Function
1	FM-Audio	AF-input for FM-modulation
2	V_{REF}	Internal reference voltage (7.5 V)
3	OSC-Input 1	Symmetrical oscillator input
4	OSC-Out 1	Symmetrical oscillator output
5	OSC-Ground	Oscillator ground
6	OSC-Out 2	Symmetrical oscillator output
7	OSC-Input 2	Symmetrical oscillator input
8	V_S	Supply voltage (12 V)
9	N.C.	Not connected
10	PLL-Out 1	Symmetrical unmodulated oscillator output
11	PLL-Out 2	Symmetrical unmodulated oscillator output
12	Video	Video input with clamping
13	Video-Cap.	Connection for smoothing capacitor for video control loop
14	Modulation	Switch-over for positive and negative modulation
15	Output 2	Symmetrical RF-output
16	Ground	Ground
17	Output 1	Symmetrical RF-output
18	AM-Audio	Video to audio carrier ratio adjustment and AF-input for AM-modulation
19	FM-Audio OSC	FM-audio oscillator; symmetrical inputs for tank circuit
20	FM-Audio OSC	FM-audio oscillator; symmetrical inputs for tank circuit



Block Diagram

Absolute Maximum Ratings

$T_A = 0$ to 70 °C

Parameter	Symbol	Limit Values			Unit	Remarks
		min.	typ.	max.		
Supply voltage pin 8	V_S	- 0.3		14.5	V	
Current from pin 2	$-I_2$	0		2	mA	$V_2 = 7...8$ V $V_S = 10...13.5$ V
Voltage at pin 1	V_1	0		2	V	only via C (max. 1 μ F)
Voltage at pin 2	V_2	6		8.5	V	
Voltage at pin 12	V_{10}	0		1.5	Vpp	
Capacitance at pin 2	C_2	0		100	nF	
Capacitance at pin 13	C_{13}	0		15	μ F	
Voltage at pin 14	V_{14}	- 0.3		1.4	V	$V_S = 10-13.5$ V
Voltage at pin 15	V_{15}	V_2		V_S	V	
Voltage at pin 17	V_{17}	V_2		V_S	V	
Voltage at pin 18	V_{18}	$V_2-1.5$		$V_2+1.5$	V	

According to the application circuit, only the provided circuitry can be connected to pins 3,4,6,7,10,11,19 and 20.

Junction temperature	T_j			150	°C	
Storage temperature	T_{stg}	- 40		125	°C	
Thermal resistance	R_{th}			125	K/W	

The pins 3, 4, 6 and 7 are not protected against voltage stress. The high frequency performance prohibits the use of adequate protective structures.

Operating Range

Supply voltage	V_S	10		13.5	V	
Video input frequency	f_{Video}	0		6	MHz	
Audio input frequency	f_{AF}	0		20	kHz	
Output frequency	f_Q	30		860	MHz	depending on the oscillator circuitry at pins 3-7
Ambient temperature	T_A	0		70	°C	
Audio oscillator	f_{OSC}	4		7	MHz	
Voltage at pin 2	V_2	6.75		7.75	V	
Voltage at pin 15,17	$V_{15, 17}$	V_2		V_S	V	

AC/DC-Characteristics

$T_A = 25\text{ °C}$; $V_S = 12\text{ V}$

Parameter	Symbol	Limit Values			Unit	Test Condition	Test Circuit
		min.	typ.	max.			

Source

Current consumption	I_8	22	28	34	mA	$I_2 = 0\text{ mA}$	1
Reference voltage	V_2	6.75	7.25	7.75	V	$0 \leq I_2 \leq 1\text{ mA}$	1

Oscillator

Oscillator frequency range	f_{OSC}	470		900	MHz	$V_D = 0...28\text{ V}$	
Oscillator drift	Δf_{OSC}			200	kHz	$t = 5\text{ s-15 min.}$ after switching on $\Delta T = 25\text{ °C}$ $V_S = 12\text{ V} \pm 10\%$ $T_A = \text{const.}; \text{ Ch } 40$	1
	Δf_{OSC}			800	kHz		1
	Δf_{OSC}			400	kHz		1
Oscillator level	$\alpha_{10;11}$		-20	-20	dBm dBm	Ch 21 Ch 69	
Oscillator output impedance	$R_{10}; R_{11}$		200		Ω	parallel equivalent circuit	1
	$C_{10}; C_{11}$		2		pF	parallel equivalent circuit	1
RF-output imp.	$Z_{15}; Z_{17}$		150		Ω	static	1
RF-output imp.	$C_{15} = C_{17}$	0.5	1	2.0	pF		1
RF-output voltage	V_Q	2.5	4.5	5.5	mVrms	Ch 40; video 100% white; without audio-signal	1
RF-output phase	$\alpha_{15, 17}$	140	180	220	deg		
RF-output voltage changes	ΔV_Q	0		1.5	dB	$f = 470\text{-}900\text{ MHz}$	
Intermodulation ratio	α_{IMR}	50	75		dB	$f_{VC} + 1.07\text{ MHz}$	2
Harmonic wave ratio	α_O	35			dB	$f_{VC} + 8.8\text{ MHz}$ without video	2

AC/DC-Characteristics (cont'd)

$T_A = 25\text{ }^\circ\text{C}$; $V_S = 12\text{ V}$

Parameter	Symbol	Limit Values			Unit	Test Condition	Test Circuit
		min.	typ.	max.			

Unmodulated video and audio carrier, measured with the spectrum analyzer as difference between video carrier signal level and sideband signal level; loaded Q factor Q_L of the audio oscillator resonance circuit adjusted by R_P to provide the required video to audio carrier ratio of 12.5 dB; $Q_U = 25$

Video to audio carrier ratio	$\alpha_{V/A}$	10	12.5	15	dB	$f_{VC} + f_{AC}$ (5.5 MHz)	1
Harmonic wave ratio	α_O	35	48		dB	$f_{VC} + 2 f_{AC}$ (11 MHz)	1
Harmonic wave ratio	α_O	42	48		dB	$f_{VC} + 3 f_{AC}$ (16.5 MHz)	1

All remaining harmonic waves; multiple of fundamental wave of video carrier, without video signal, measured with spectrum analyzer; $f_{VC} = 523.25\text{--}623.25\text{ MHz}$; pin 14 open

	α	15			dB		1
Residual carrier suppression	α_R	32			dB	Ch 30...40	3
Signal-to-noise in video; unmodulated audio carrier	$\alpha_{N/V}$	48	74		dB	Ch 30...40	4
Interference product ratio audio in video AM-modulation	$\alpha_{A/V}$	49	62		dB	Ch 30...40,	4
FM-modulation of audio carrier	$\alpha_{A/V}$	48	60		dB	Ch 30...40 $m_A = 90\%$	4
Unweighted AM-	$\alpha_{V/A}$	48	54		dB	Ch 39; test picture FuBK	5
Unweighted FM-interference level ratio video in audio	$\alpha_{V/A}$	48	54		dB	Ch 39; test picture FuBK	5
Signal-to-noise ratio of audio oscillator	$\alpha_{N/A}$	48	54		dB	AM unmodulated	5
	$\alpha_{N/A}$	48	54		dB	FM-audio carrier	5

Video

Video input current at pin 12	$-I_{12}$	0		1	μA	$C_{12} \leq 100\text{ nF}$	1
Video input voltage at pin 12	V_{12}	0.7		1.4	Vpp	$C_{12} \leq 100\text{ nF}$	1

AC/DC-Characteristics (cont'd)

$T_A = 25\text{ }^\circ\text{C}$; $V_S = 12\text{ V}$

Parameter	Symbol	Limit Values			Unit	Test Condition	Test Circuit
		min.	typ.	max.			
Modulation depth	$m_{D/N}$	60	70	80	%	staircase signal at video input; $V_{Video} = 1\text{ Vpp}$	6
Stability of mod. depth	Δm_D		1	± 2.5	%	$\Delta V_{Video} = 1\text{ Vpp}$ $\pm 3\text{ dB}$; $T_A = 0\text{-}60\text{ }^\circ\text{C}$	6
	Δm_D		1	± 2.5	%	$T_A = 0\text{-}60\text{ }^\circ\text{C}$	6
	Δm_D		1	± 2.5	%	$V_S = 10\text{-}13.5\text{ V}$	6
Differential gain	α_{dif}			10	%		7
Differential phase	Φ_{dif}			15	deg	measured with measurement demodulator, video test signals and vector scope	7

Amplitude response of video signal; $V_{Video} = 1\text{ Vpp}$ with additional modulation $f = 15\text{ kHz-}5\text{MHz}$ sine signal between black and white

	α_V	0		1.5	dB		8
--	------------	---	--	-----	----	--	---

Period of time required for peak white detector to reach steady state for full modulation depth with 1-white pulse per half frame when control is already in the steady state

	t		6	50	μs	C at pin 13 = $10\text{ }\mu\text{F}$; $I_{leakage} \leq 2\text{ }\mu\text{A}$	1
--	-----	--	---	----	---------------	---	---

Setting time for video signal change from 0 Vpp to 1.4 Vpp; video blanking signal content is uniform white level

	t		120	500	μs		1
--	-----	--	-----	-----	---------------	--	---

Setting time for video blanking signal from 100% white level to 42% grey level with subsequent rise in grey level to 71% of video blanking signal (due to decontrol process)

	t	0.4	2	10	min		1
--	-----	-----	---	----	-----	--	---

Audio

Audio oscillator frequency range; unloaded Q factor of resonance circuit $Q_u = 25$;

$f_{resonance} = 5.5\text{ MHz}$

	$f_{A/OSC}$	4		7	MHz		1
--	-------------	---	--	---	-----	--	---

AC/DC-Characteristics (cont'd)

$T_A = 25\text{ }^\circ\text{C}$; $V_S = 12\text{ V}$

Parameter	Symbol	Limit Values			Unit	Test Condition	Test Circuit
		min.	typ.	max.			

Switch-on, warm-up drift of oscillator frequency; T_C -value of capacitor in audio oscillator circuit is 0, the drift is only based on self-heating of component

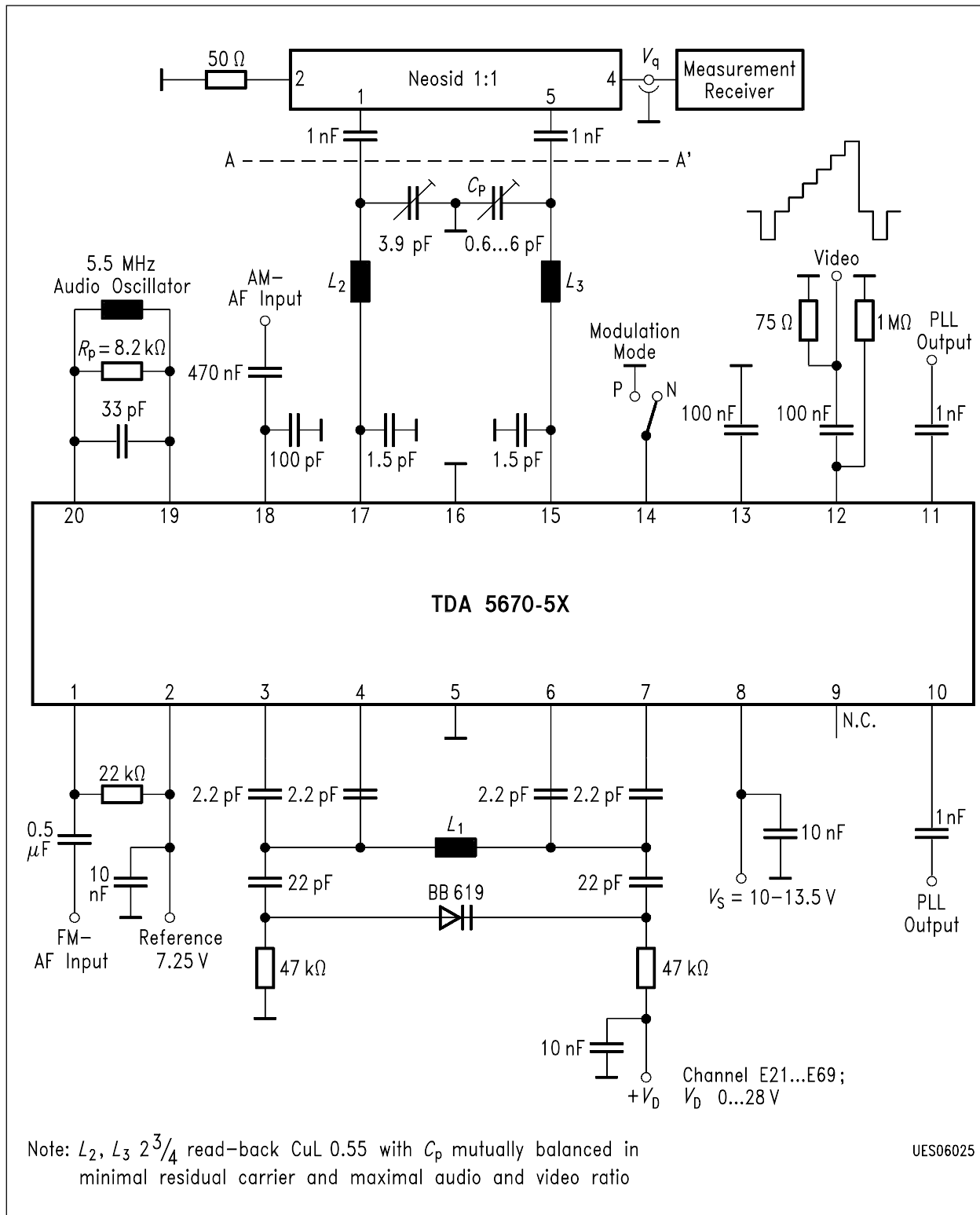
	$\Delta f_{A/OSC}$		5	15	kHz	$T_A = \text{const.};$	1
Audio signal frequency deviation	$\Delta f_{A/OSC}$		5	10	kHz	$V_S = 10.0\text{-}13.5\text{ V};$ $Q_U = 25$	1

AM-Audio

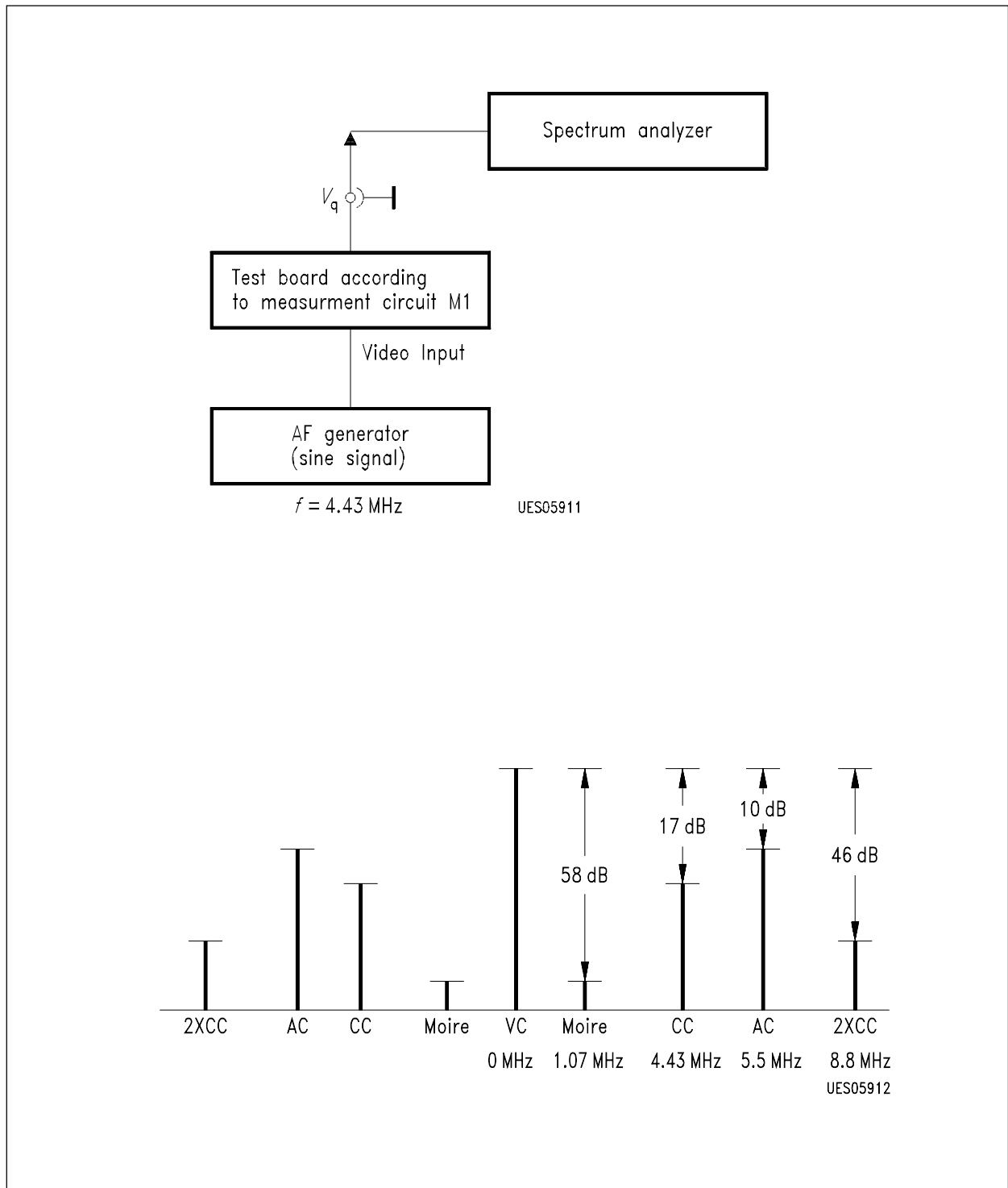
AM-mod. factor	m	20	30	40	%	$V_{AF} = 45\text{ mVrms}$	9
AM-mod.; total harmonic distortion	THD_{AM}		0.5	3	%	$m = 80\%;$ $V_{AF} = 117\text{ mVrms}$ $f_{AF} = 1\text{ kHz}$	9
Audio preamplifier input impedance	Z_{16}	25	50	75	k Ω		1
AM-audio modulator input voltage	V_{AF}		132		mVrms	$m = 90\%;$ $f_{AF} = 1\text{ kHz}$	9
Residual carrier FM; AM-operation	Δf		20		Hz	without AM-audio signal $Q_U = 25$	1

FM-Audio

FM-mod.; total harmonic distortion	THD_{FM}		0.6	1.5	%	$V_1 = 150\text{ mVrms}$	9
FM-mod.; static mod. characteristic	$\Delta f_{A/OSC}$	± 50	± 70	± 90	kHz	$\Delta V_{AF} = V_1 - V_2 = \pm 1\text{ V}$	1
FM-mod.; dynamic mod. characteristic	$\Delta f_{A/OSC} / \Delta V_{AF}$	0.08	0.10	0.13	kHz/mV		1
Audio preamplifier input impedance (dynamic)	Z_1	200			k Ω		1



Test Circuit 1
Test and Measurement Circuit for AM- and FM-Audio Carrier and Negative Video Modulation

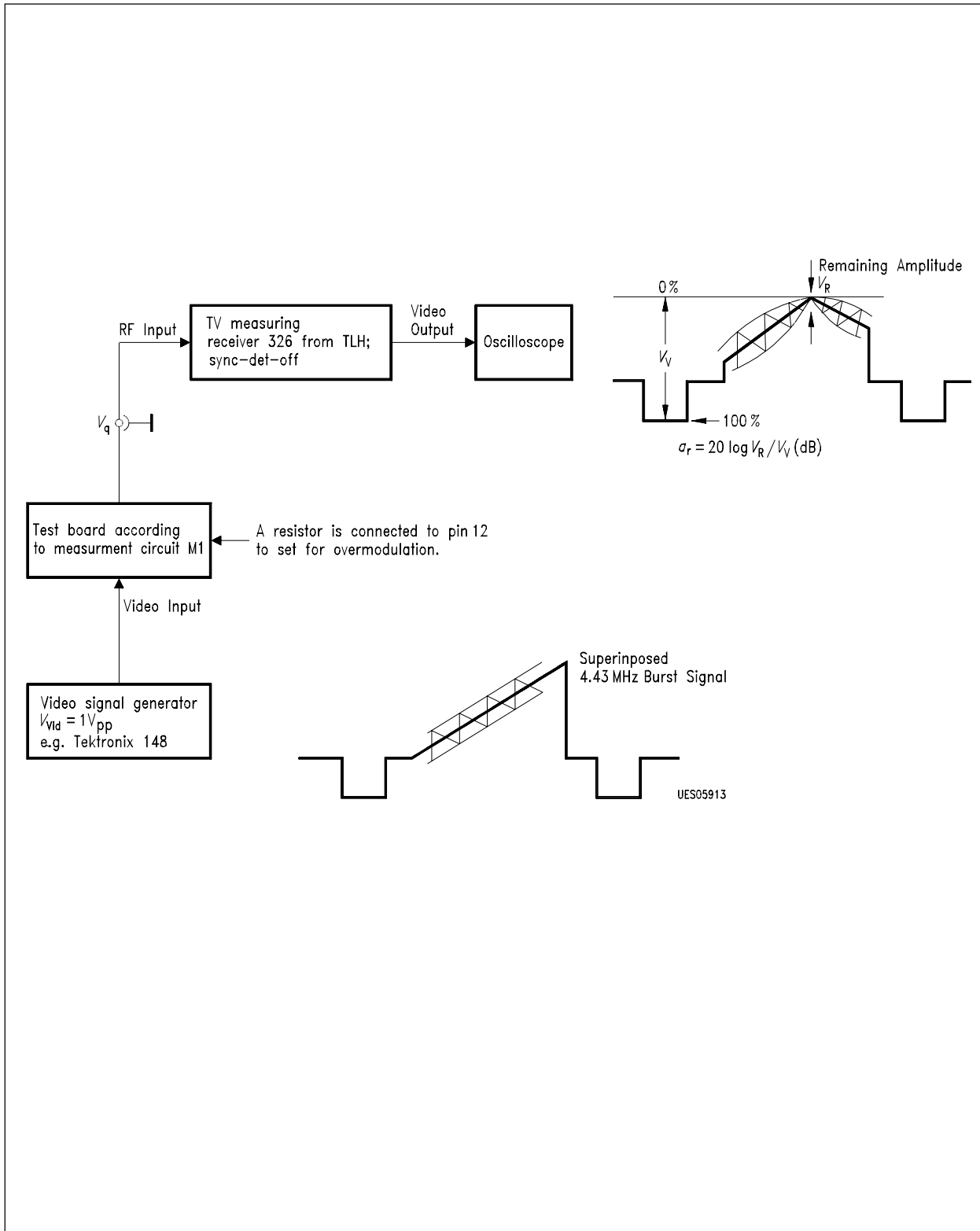


Test Circuit 2

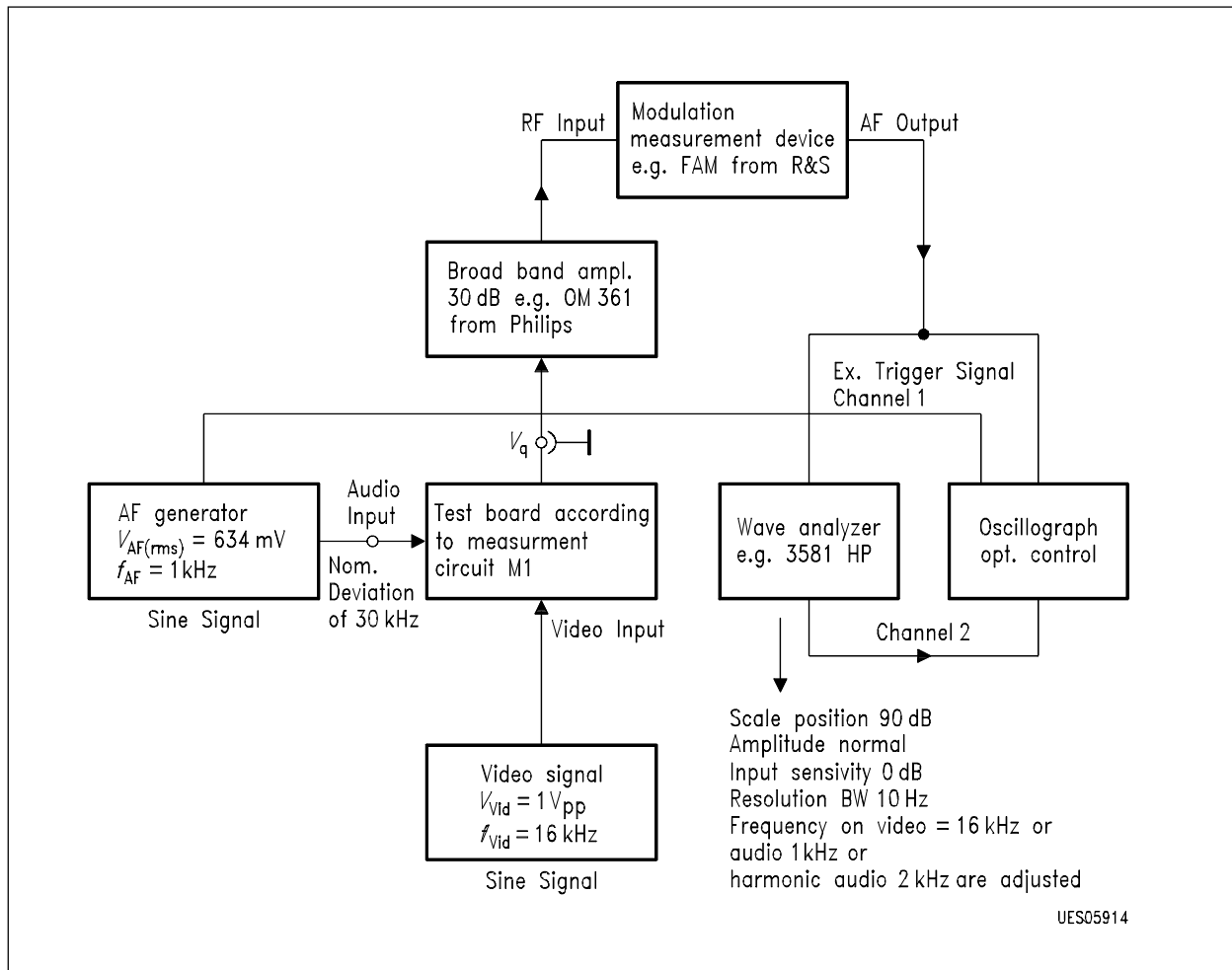
Description of the Measurement Configuration to Measure the 1.07-MHz Moire

CC-level lies below the activation point and has been set to provide a ratio of 17 dB with respect to the video carrier.

$f_{VC} = 623.25 \text{ MHz}$



Test Circuit 3
Description of the Measurement Configuration to Measure the Residual Carrier Suppression

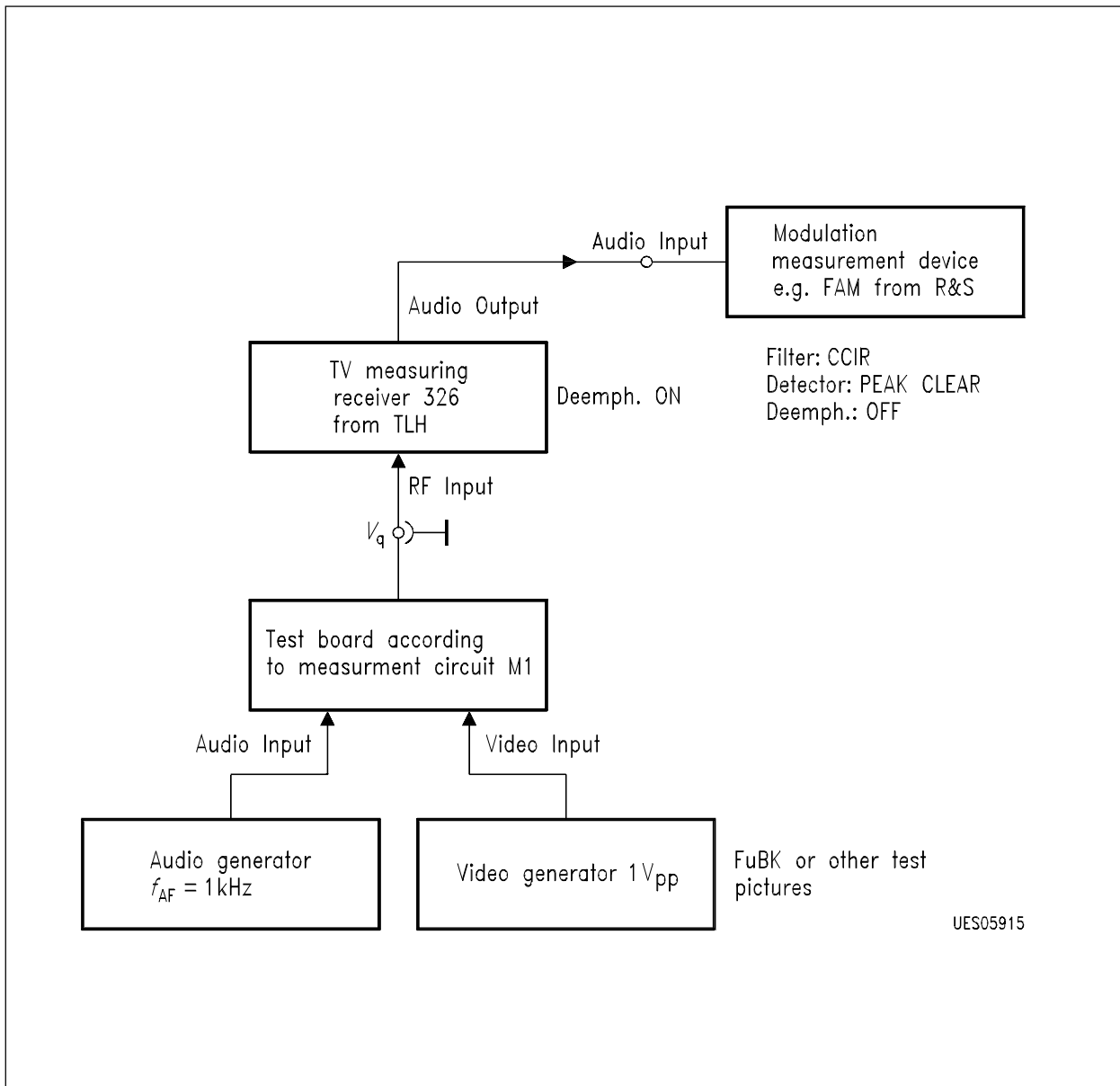


Test Circuit 4

Description of the Measurement Configuration to Measure the Audio and/or Noise in Video during FM- and AM-Modulation of the Audio Carrier

Calibration: AF-signals are switched off, video signal is present at video input, modulation measurement device set at AM is adjusted to video carrier; filter: 300 Hz...20 kHz; detector: (P+P)/2; Wave analyzer at video signal level (16 kHz) adjusted and resultant level as reference a_v defined.

- 1) Measurement of audio interference product ratio in video while the audio carrier FM modulated: AF-signal is connected to FM-audio input; video signal is present at video input; Modulation measurement device set at AM; filter: 300 Hz...20 kHz; detector: (P+P)/2; the automatic RF-level position of the measurement device is switched off; wave analyzer at video signal level 1 kHz or 2 kHz or 3 kHz adjusted and resultant level is set to a_A . The audio noise ratio in video results from $a_{A/V} = a_A - a_V$ (dB).
- 2) Measurement of signal-to-noise ratio in video without FM-modulation of audio carrier: AF-signals are switched off; video signal is switched on; modulation measurement device set at AM; filter: 300 Hz...3 kHz; detector: $RMS \times \sqrt{2}$; Wave analyzer at video signal level (16 kHz) detuned; read out in dB to reference level of calibration is a_{NV} .
- 3) The noise limit of the measurement device is approx. 85 dB.



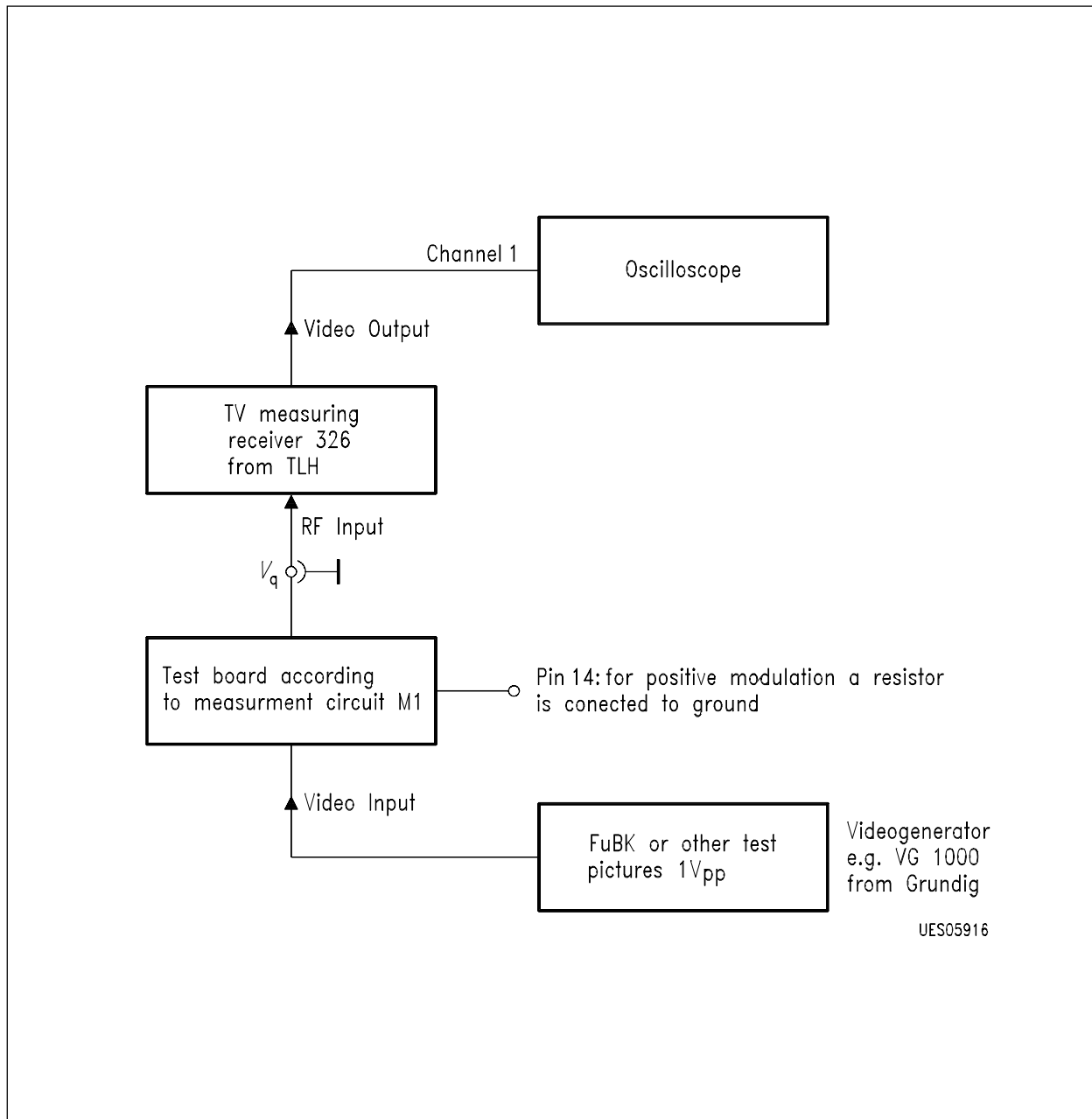
Test Circuit 5

Description of the Measurement Configuration to Measure the Video and/or Noise in Audio

Calibration: AF-signal of $f = 1 \text{ kHz}$, corresponding with a nominal deviation of 30 kHz, is connected to the audio input, and the demodulated AF-reference level at the audio measurement device is defined as 0 dB. No video signal is present.

Measuring:

- 1) The AF-signal is switched off and the FuBK-video signal is connected to the video input with $V_{vid} = 1 V_{pp}$. The audio level in relation to the AF-reference calibration level is measured as ratio $a_{V/A}$.
- 2) AF- and video signal are switched off. The noise ratio in relation to the AF-reference calibration level is measured as signal-to-noise ratio in the audio signal $a_{N/A}$.

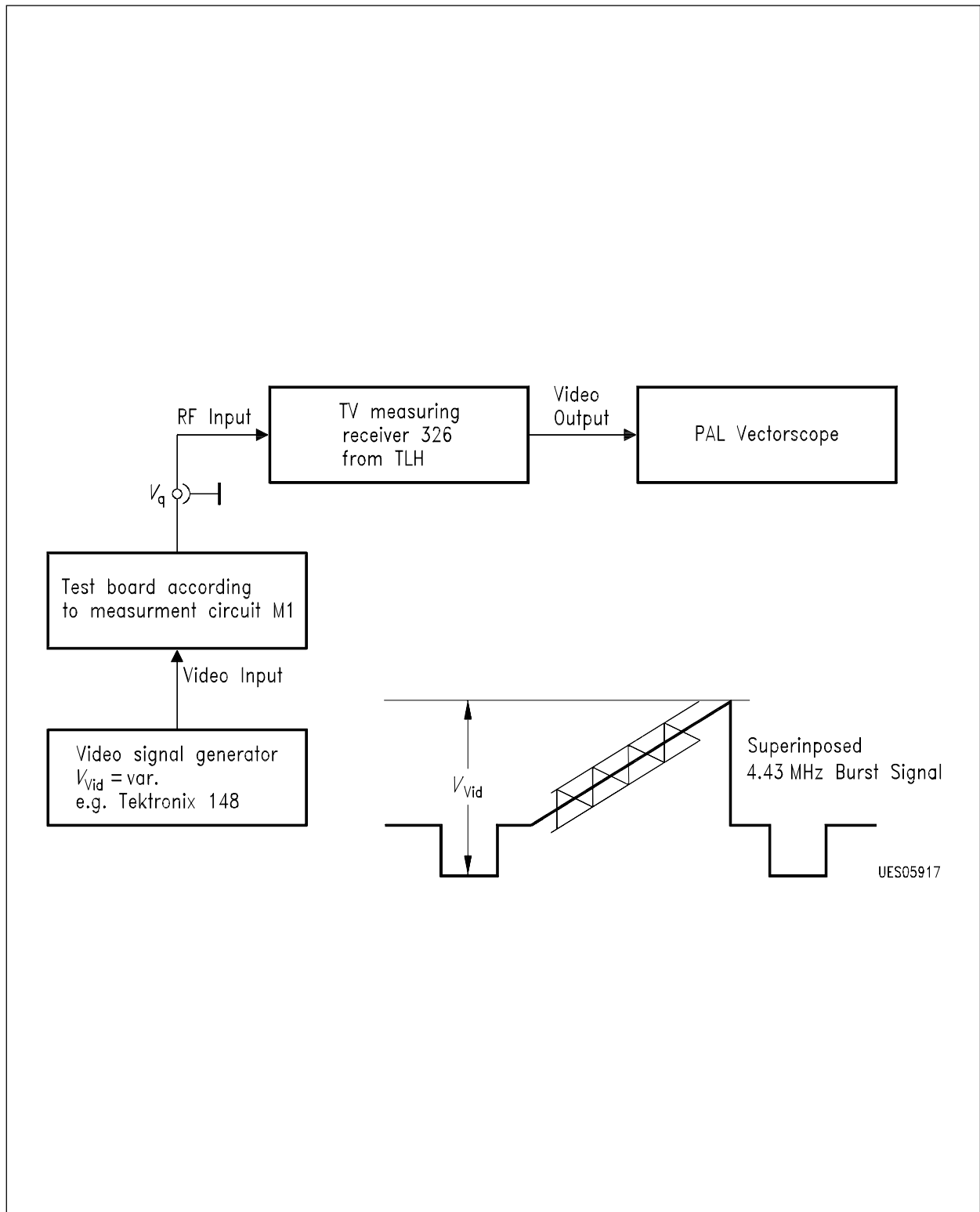


Test Circuit 6

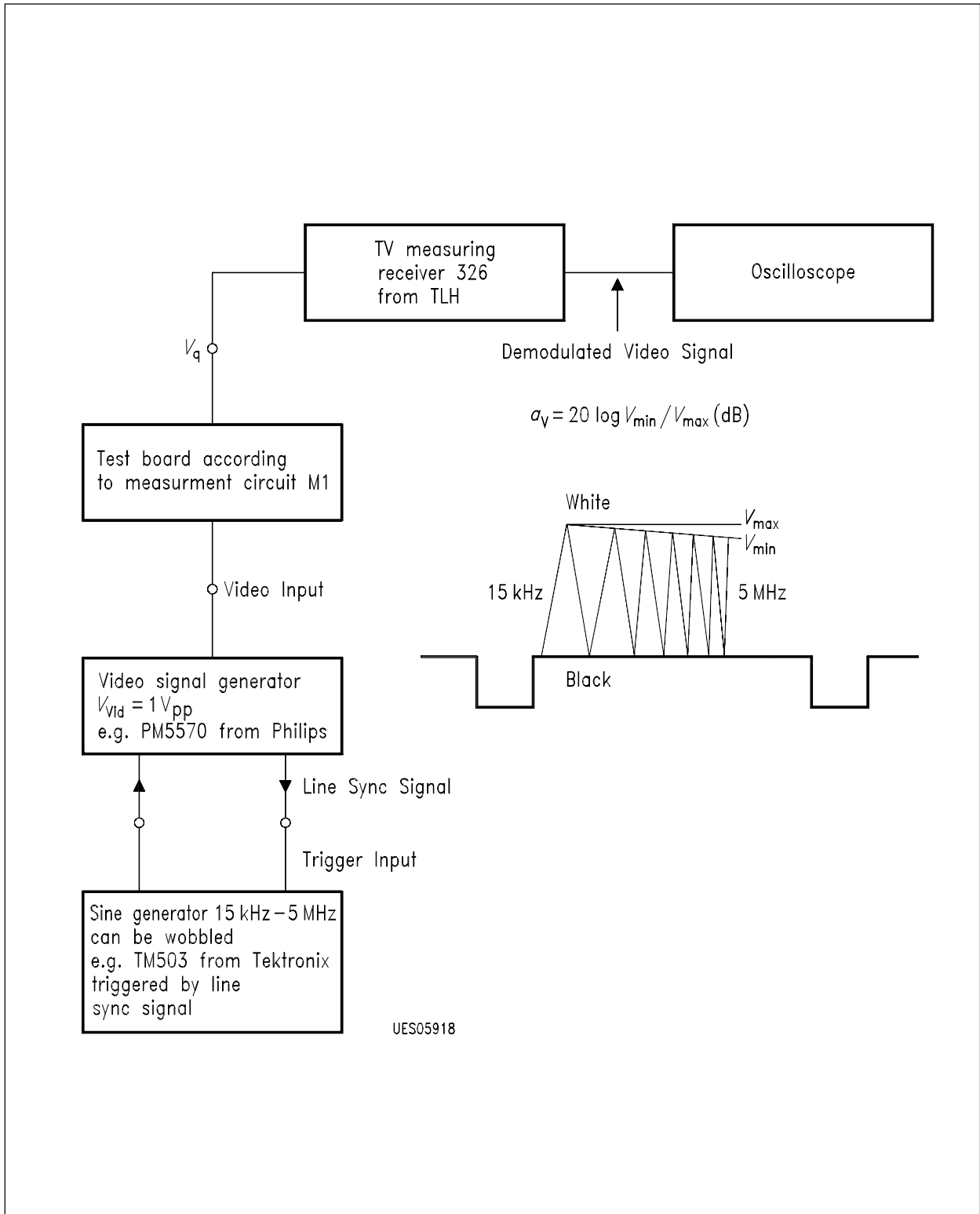
Description of the Measurement Configuration to Measure the Modulation Depth for Positive and Negative Modulation

Calibration: A zero reference signal with the TV-measuring receiver is given to the video signal. A video signal with $V_{vid} = 1 \text{ Vpp}$ is connected to the video input.

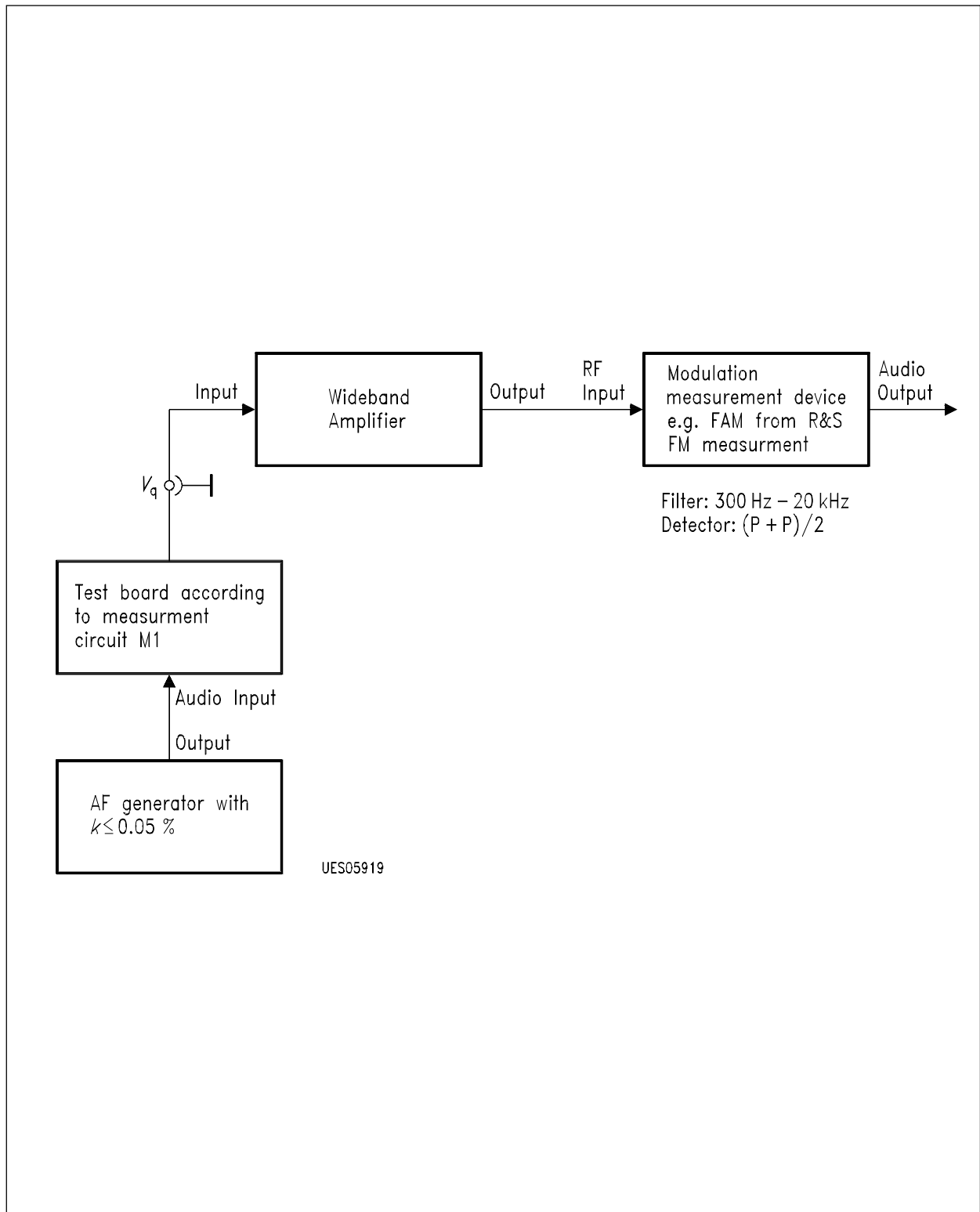
- Measuring:**
- 1) Modulation depth $m_{D/N}$ for negative modulation: pin 14 open, range peak white value – sync level in relation to range zero reference – sync level gives $m_{D/N}$.
 - 2) Modulation depth $m_{D/P}$ for positive modulation: pin 14 to ground, range peak white value – sync level in relation to range zero reference – peak white value gives $m_{D/P}$.



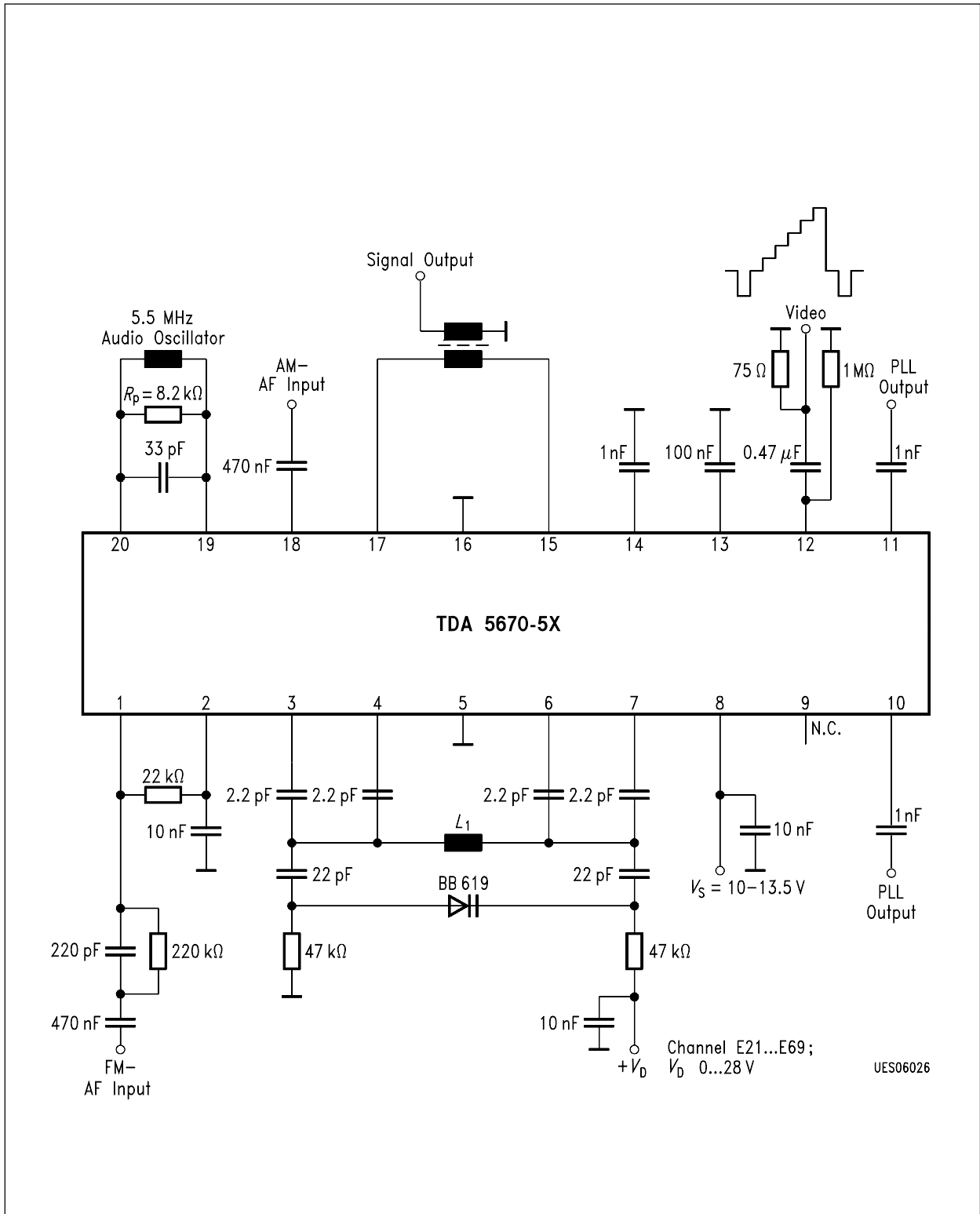
Test Circuit 7
Description of the Measurement Configuration to Measure the Differential Gain and Phase



Test Circuit 8
Description of the Measurement Configuration to Measure the Video Amplitude Response



Test Circuit 9
Description of the Measurement Configuration to Measure the Harmonic Distorsion Factor and AM-Input Voltag

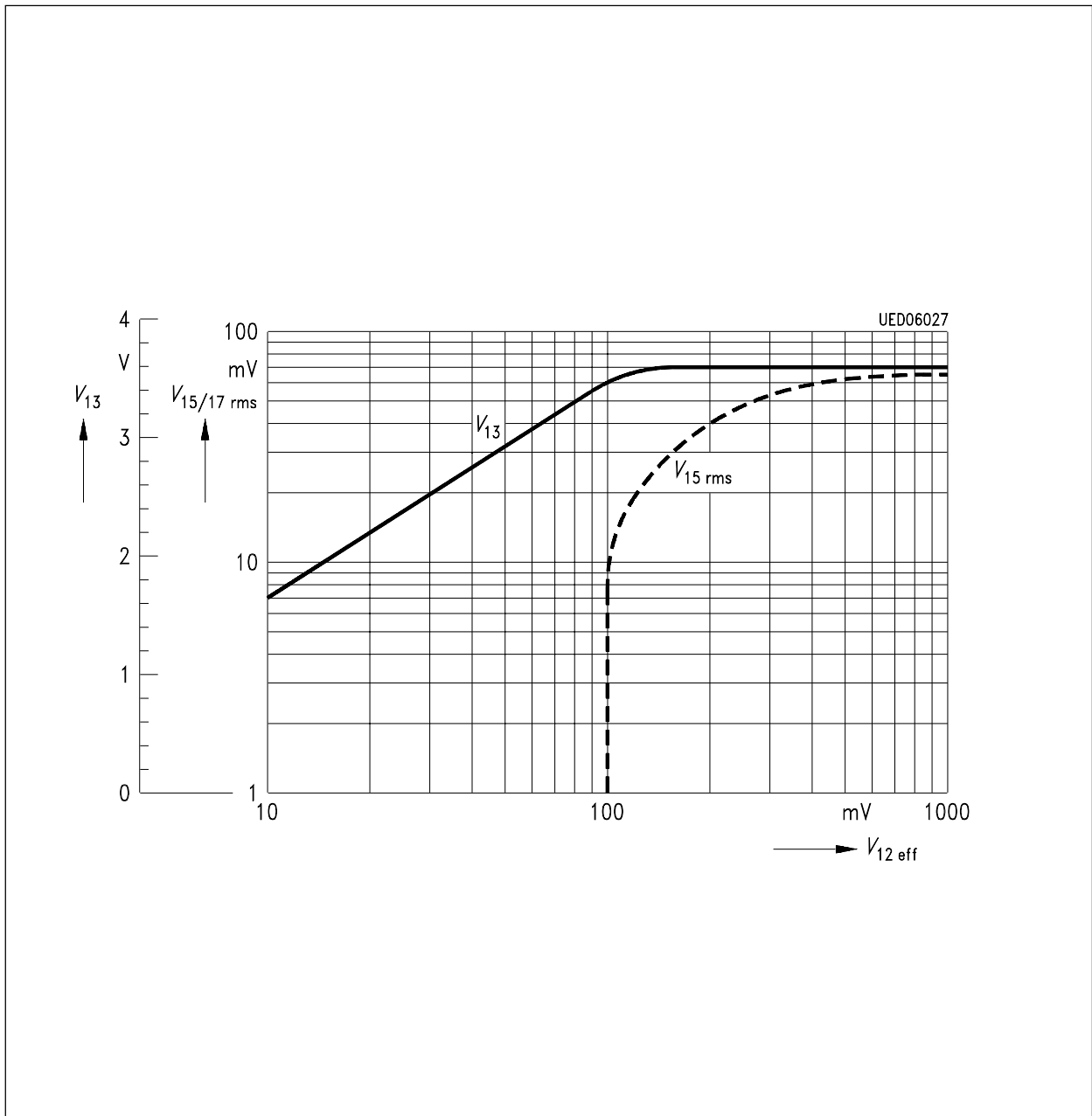


Application Circuit

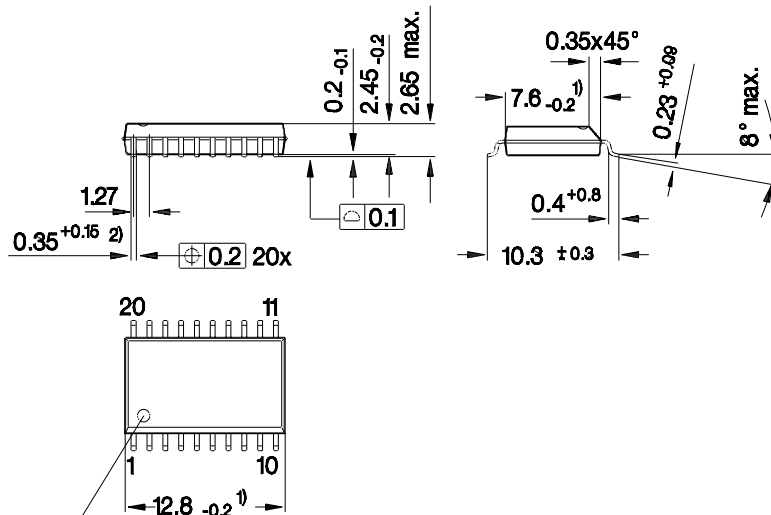
Diagram

Function of Video Signal Connection

- a) Demodulated RF-output video signal $V_{15/17rms} = f(V_{12rms}); f_{mod} = 16 \text{ kHz}$
- b) $V_{13} = f(V_{12rms})$



Plastic Package, P-DSO-20-1 (SMD)
 (Plastic Dual Small Outline Package)



Index Marking

- 1) Does not include plastic or metal protrusion of 0.15 max. per side
- 2) Does not include dambar protrusion

GPS05094

Sorts of Packing

Package outlines for tubes, trays etc. are contained in our Data Book "Package Information"

SMD = Surface Mounted Device

Dimensions in mm