

**MSM7570L-01/02****Multi-Function ADPCM CODEC****GENERAL DESCRIPTION**

The MSM7570L-01/02, developed for advanced digital cordless telephone systems, are single channel ADPCM CODEC ICs which perform mutual transcoding between the analog voice band signal and 32 kbps ADPCM serial data.

The devices include DTMF Tone and several types of tone generation, transmit/receive data mute and gain control, side-tone path and gain control, and VOX function.

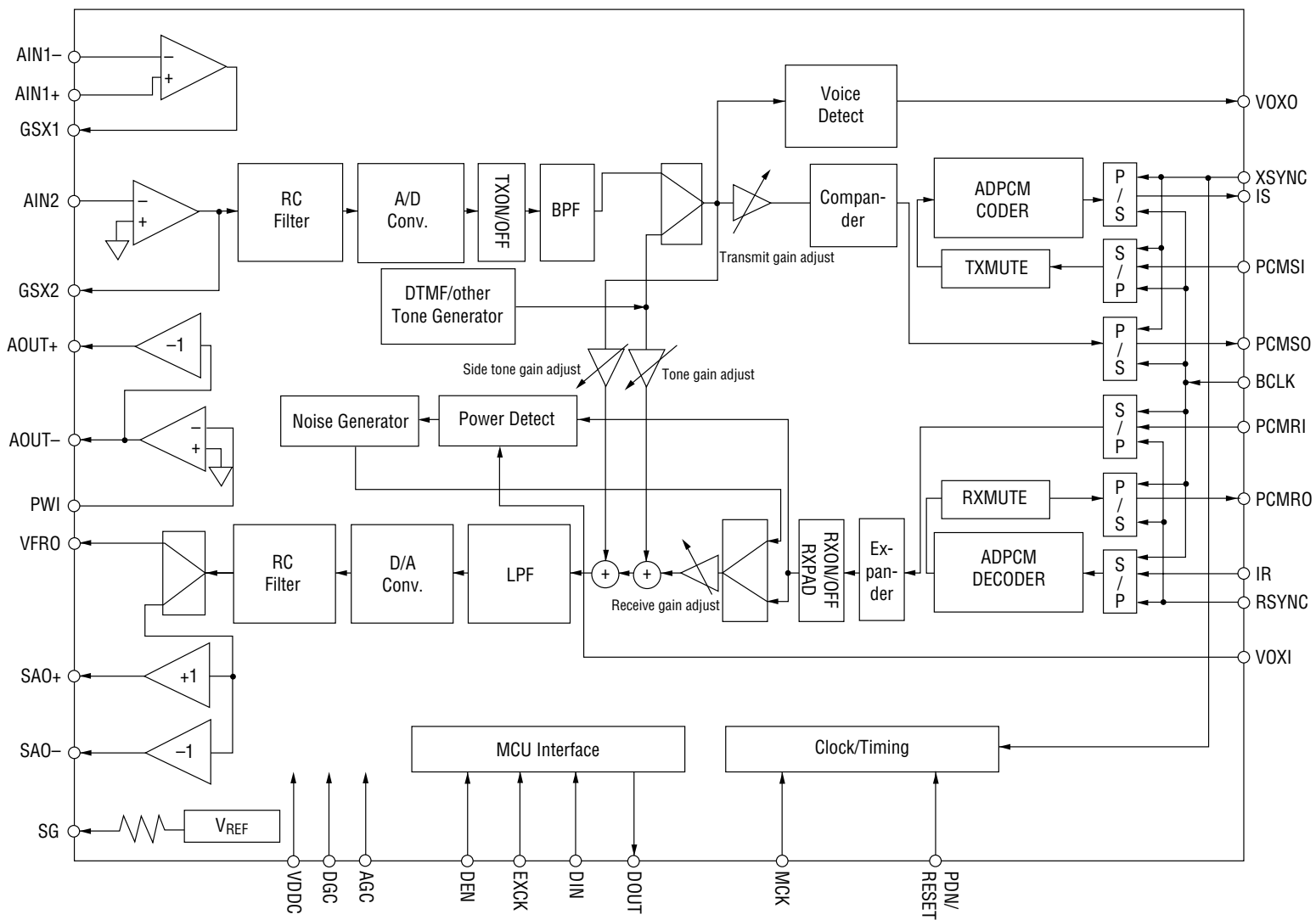
Using advanced circuit technology, these devices operate from a single 3 V power supply and provide low power consumption.

Note: The MSM7570L-01 differs from MSM7570L-02 in Ringing Tone Frequency.

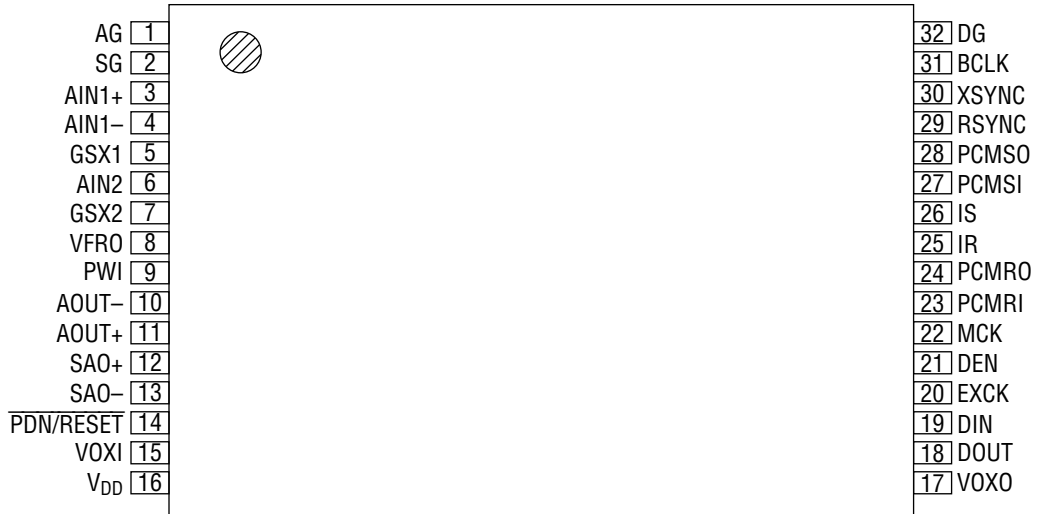
**FEATURES**

- Single 3 V Power Supply Operation V<sub>DD</sub>: 2.7 V to 3.6 V
- ADPCM Algorithm : ITU-T G.726 (32 kbps, 24 kbps, 16 kbps)
- Full-Duplex Transmit/Receive Operation
- Transmit/Receive Synchronous Mode Only
- PCM Data Format : A-law/ $\mu$ -law Selectable
- Serial PCM/ADPCM Transmission Data Rate : 64 kbps to 2048 kbps
- Low Power Consumption
  - Operating Mode : 21 mW Typ. (V<sub>DD</sub> = 3.0 V)
  - Power-Down Mode : 0.3 mW Typ. (V<sub>DD</sub> = 3.0 V)
- Two Analog Input Amplifier Stages : Externally Adjustable Gain
- Analog Output Stage : Push-pull Drive (direct drive of 350  $\Omega$  + 120 nF)
- Master Clock Frequency : 12.288/19.200 MHz Selectable
- Transmit/Receive Mute, Transmit/Receive Programmable Gain Control
- Side Tone Path with Programmable Attenuation (8-step Level Adjustment)
- Built-in DTMF Tone Generator
- Built-in Various Ringing/Function Tones Generator
- Built-in Various Ring Back Tone Generator
- Serial MCU Interface Control
- Built-in Sounder Driving Amplifier
- Built-in VOX Control
  - Transmit side : Voice Signal Detect
  - Receive side : Background Noise Generation
- Characteristic Evaluation Board.
- Package:
  - 32-pin plastic TSOP (TSOPI32-P-814-0.50-1K) (Product name: MSM7570L-01TS-K)
  - (Product name: MSM7570L-02TS-K)

**BLOCK DIAGRAM**



**PIN CONFIGURATION (TOP VIEW)**



**32-Pin Plastic TSOP**

**PIN AND FUNCTIONAL DESCRIPTIONS**

**AIN1+, AIN1-, AIN2, GSX1, GSX2**

Transmits analog input and the output for transmit gain adjustment. AIN1- (AIN2) connects to the inverting input of the internal transmit amplifier. AIN1+ connects to the non-inverting input of the internal transmit amplifier. GSX1 (GSX2) connects to the internal transmit amplifier output. Refer to Fig.1 for gain adjustment.

**VFRO, AOUT+, AOUT-, PWI**

Receives analog output and the output for receive gain adjustment. VFRO is the receive filter output. AOUT+ and AOUT- are differential analog signal outputs which can directly drive  $Z_L = 350 \Omega + 120 \text{ nF}$  or a 1.2 k $\Omega$  load. Refer to Fig.1 for gain adjustment.

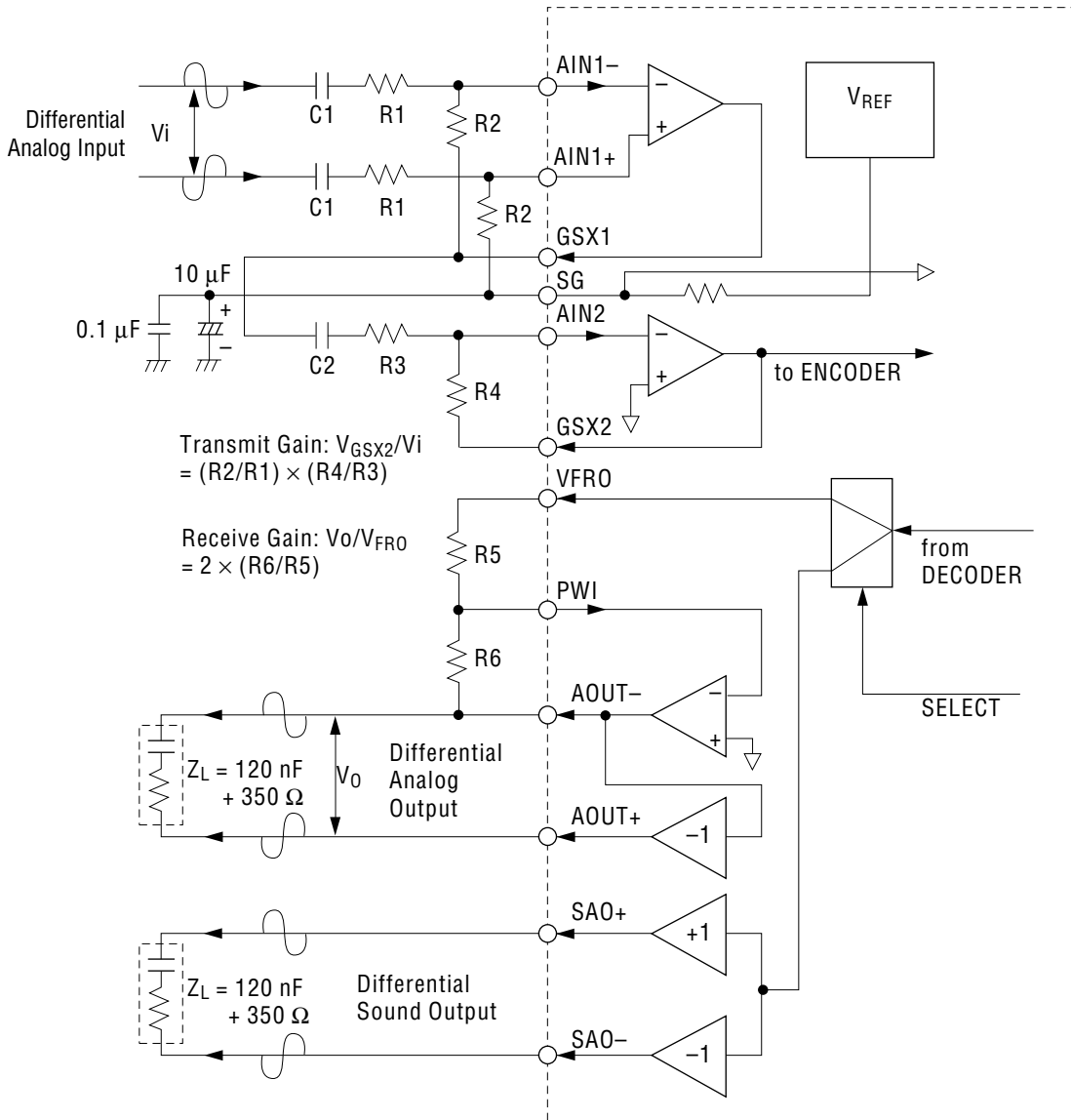


Figure 1 Analog Input/Output Interface

**SAO+, SAO-**

Differential analog outputs for sound output.

Control register data CR4-B5 determines the output pins (AOUT+ and AOUT- /SAO+ and SAO-) for the voice signal and an acoustic component of the sound tone, DTMF tone, R tone, F tone, and various types of tones at either the VFRO pin or the SAO+ and SAO- pins. The output load conditions of these pins are the same as those of AOUT+ and AOUT-.

**SG**

Analog signal ground.

The output voltage of this pin is approximately 1.4 V. Put the bypass capacitors (10  $\mu$ F in parallel with 0.1  $\mu$ F ceramic type) between this pin and AG to get the specified noise characteristics. During power-down, this output voltage is 0 V. The SG voltage if necessary should be used via a beffer.

**AG**

Analog ground.

**DG**

Digital ground.

This ground is separated from the analog signal ground pin (AG). The DG pin must be kept as close as possible to AG on the PCB.

**V<sub>DD</sub>**

+3 V power supply.

**PDN/RESET**

Power down and reset control input.

A "0" level makes the IC enter a power down state. At the same time, all control register data are reset to the initial state. Set this pin to "1" during normal operating mode. The power down state is controlled by a logical OR with CR0-B5 of the control register. When using PDN/RESET for power down and reset control, set CR0-B5 to digital "0".

The reset width (during "L") should be 200ns or more.

**MCK**

Master clock input.

The frequency must be 12.288 MHz or 19.2 MHz. The applied clock frequency is selected by the control register data CR0-B6. The master clock signal may be asynchronous with BCLK, XSYNC, and RSYNC.

**PCMSO**

Transmit PCM data output.

PCM is output from MSB in synchronization with the rising edge of BCLK and XSYNC.

**PCMSI**

Transmit PCM data input.

This signal is converted to the transmit ADPCM data. PCM is shifted in synchronization with the falling edge of BCLK. Normally, this pin is connected to PCMSO.

**PCMRO**

Receive PCM data output.

PCM is the output signal after ADPCM decoder processing. This signal is output serially from MSB in synchronization with the rising edge of BCLK and RSYNC.

**PCMRI**

Receive PCM data input.

PCM is shifted on the rising edge of the BCLK and input from MSB. Normally, this pin is connected to PCMRO.

**IS**

Transmit ADPCM signal output.

After having encoded PCM with ADPCM, this signal is output from MSB in synchronization with the rising edge of BCLK and XSYNC. This pin is an open drain output and remains in a high impedance state during power-down. IS requires a pull-up resistor.

**IR**

Receive ADPCM signal input.

This input signal is shifted serially on the falling edge of BCLK in synchronization with RSYNC, and input from MSB.

**BCLK**

Shift clock input for the PCM data (PCMSO, PCMSI, PCMRO, PCMRI) and the ADPCM data (IS, IR).

The frequency is set in the 64 kHz to 2048 kHz range.

**XSYNC**

Transmit PCM and ADPCM data 8 kHz synchronous signal input.

Synchronize this signal with BCLK signal. XSYNC is used to indicate the MSB of the transmit serial PCM and ADPCM data stream.

Be sure to input the XSYNC signal because it is also used as the input of the timing generator.

**RSYNC**

Receive PCM and ADPCM data synchronous signal input.

Synchronize this signal with BCLK signal. RSYNC is used to indicate the MSB of the receive serial PCM and ADPCM data stream.

**VOXO**

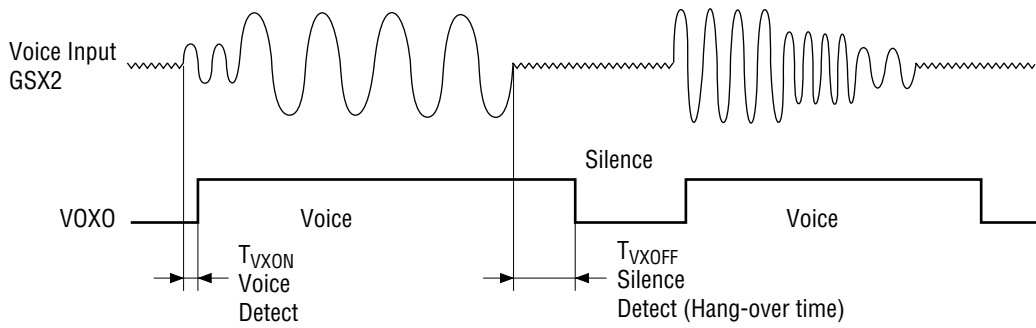
Transmit VOX function signal output.

VOX function voice recognizes the presence or absence of the transmit voice signal by detecting the signal energy. "1" and "0" levels set on this pin correspond to the presence and the absence of voice, respectively. This result appears at the register data CR7-B7. The signal energy detect threshold is set by the control register data CR6-B6, B5.

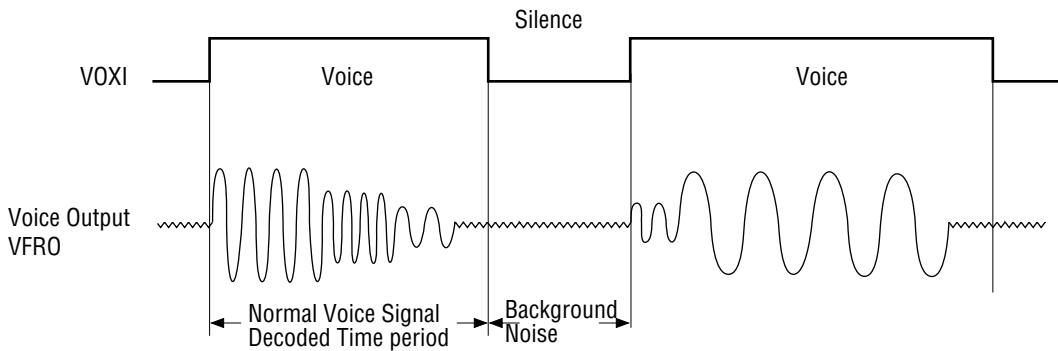
**VOXI**

Signal input for receive VOX function.

A "1" level at VOXI indicates the presence of a voice signal. The decoder block processes normal receive signal, and the voice signal appears at the analog output pins. The "0" level indicates the absence of a voice signal. Background noise generated in this device is transferred to the analog output pins. The background noise amplitude is set by the control register CR6. Because this signal is ORed with the register data CR6-B3, set the control register data CR6-B3 to digital "0".



(a) Transmit VOX Function Timing Diagram



(b) Receive VOX Function (CR6-B3: digital "0") Timing Diagram

Note: VOXO, VOXI functions becomes valid when setting CR6-B7 to digital "1".

Figure 2 VOX Function



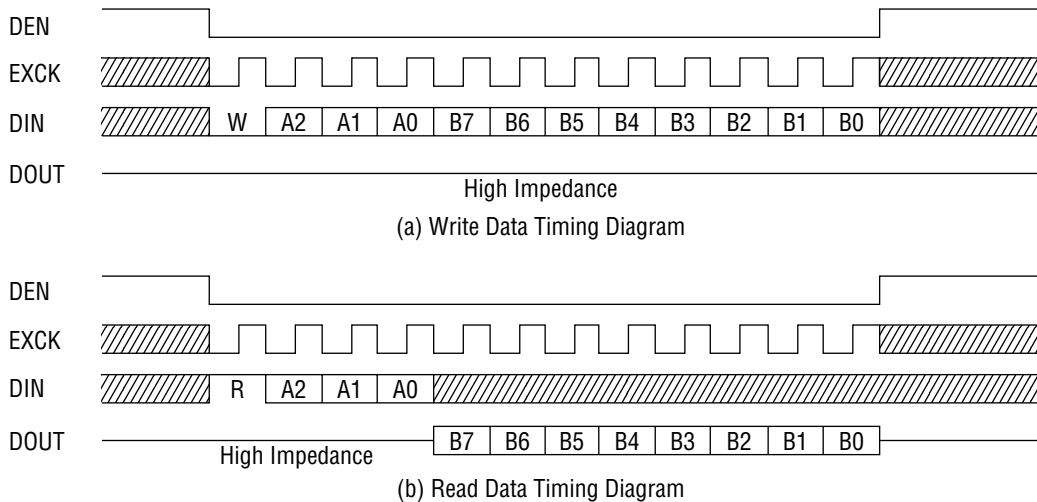
**DEN , EXCK, DIN, DOUT**

Serial control ports for MCU interface.

Reading and writing data are performed by an external MCU through these pins. Eight registers with eight bits are provided on the devices.

DEN is the "Enable" control signal input, EXCK is the data shift clock input, DIN is the address and data input, and DOUT is the data output.

Fig.3 shows the input/output timing diagram.



**Figure 3 MCU Interface Input/Output Timing**

Table 1 shows the register map.

**Table-1**

Name	Address			Control and Detect Data								R/W	
	A2	A1	A0	B7	B6	B5	B4	B3	B2	B1	B0		
CR0	0	0	0	A/ $\mu$ SEL	MCK SEL	PDN ALL	—	—	—	—	—	PDN SAO/AOUT	R/W
CR1	0	0	1	MODE1	MODE0	TX RESET	RX RESET	TX MUTE	RX MUTE	—	—	RX PAD	R/W
CR2	0	1	0	TX ON/OFF	TX GAIN2	TX GAIN1	TX GAIN0	RX ON/OFF	RX GAIN2	RX GAIN1	RX GAIN0	—	R/W
CR3	0	1	1	Side Tone GAIN2	Side Tone GAIN1	Side Tone GAIN0	TONE ON/OFF	TONE GAIN3	TONE GAIN2	TONE GAIN1	TONE GAIN0	—	R/W
CR4	1	0	0	DTMF/OTHERS SEL	TONE SEND	SAO/VFRO	TONE4	TONE3	TONE2	TONE1	TONE0	—	R/W
CR5	1	0	1	—	—	—	—	—	—	—	—	—	R/W
CR6	1	1	0	VOX ON/OFF	ON LVL1	ON LVLO	OFF TIME	VOX IN	RX NOISE LEVEL SEL	RX NOISE LVL1	RX NOISE LVLO	—	R/W
CR7	1	1	1	VOX OUT	TX NOISE LVL1	TX NOISE LVLO	—	—	—	—	—	—	R

R/W : Read/Write enable R : Read only register.

## ABSOLUTE MAXIMUM RATINGS

Parameter	Symbol	Condition	Rating	Unit
Power Supply Voltage	$V_{DD}$	—	-0.3 to +5	V
Analog Input Voltage	$V_{AIN}$	—	-0.3 to $V_{DD} + 0.3$	V
Digital Input Voltage	$V_{DIN}$	—	-0.3 to $V_{DD} + 0.3$	V
Storage Temperature	$T_{STG}$	—	-55 to +150	°C

## RECOMMENDED OPERATING CONDITIONS

Parameter	Symbol	Condition	Min.	Typ.	Max.	Unit
Power Supply Voltage	$V_{DD}$	Voltage must be fixed	2.7	—	3.6	V
Operating Temperature	$T_a$	—	-25	+25	+70	°C
Digital Input High Voltage	$V_{IH}$	MCK, XSYNC, RSYNC, PCMRI, PCMSI, BCLK, IR, $\overline{PDN/RESET}$ , DEN, EXCK, DIN	0.45 $\times V_{DD}$	—	$V_{DD}$	V
Digital Input Low Voltage	$V_{IL}$	MCK, XSYNC, RSYNC, PCMRI, PCMSI, BCLK, IR, $\overline{PDN/RESET}$ , DEN, EXCK, DIN	0	—	0.16 $\times V_{DD}$	V
Master Clock Frequency	$f_{MCK1}$	MCK (CR0-B6 = "0")	-0.01%	12.288	+0.01%	MHz
	$f_{MCK2}$	MCK (CR0-B6 = "1")	-0.01%	19.200	+0.01%	MHz
Bit Clock Frequency	$f_{BCK}$	BCLK	64	—	2048	kHz
Synchronous Signal Frequency	$f_{SYMC}$	XSYNC, RSYNC	—	8.0	—	kHz
Clock Duty Ratio	$D_C$	MCK, BCLK, EXCK	30	50	70	%
Digital Input Rise Time	$t_{ir}$	MCK, XSYNC, RSYNC, PCMRI, PCMSI, BCLK, IR, $\overline{PDN/RESET}$ , DEN, EXCK, DIN	—	—	50	ns
Digital Input Fall Time	$t_{if}$	MCK, XSYNC, RSYNC, PCMRI, PCMSI, BCLK, IR, $\overline{PDN/RESET}$ , DEN, EXCK, DIN	—	—	50	ns
Transmit Sync Signal Setting Time	$t_{XS}$	BCLK to XSYNC	100	—	—	ns
	$t_{XS}$	XSYNC to BCLK	100	—	—	ns
Receive Sync Signal Setting Time	$t_{RS}$	BCLK to RSYNC	100	—	—	ns
	$t_{SR}$	RSYNC to BCLK	100	—	—	ns
Synchronous Signal Width	$t_{WS}$	XSYNC, RSYNC	1 BCLK	—	100	$\mu$ s
PCM, ADPCM Set-up Time	$t_{DS}$	—	100	—	—	ns
PCM, ADPCM Hold Time	$t_{DH}$	—	100	—	—	ns
Digital Output Load	$R_{DL}$	IS (Pull-up Resistor)	500	—	—	$\Omega$
	$C_{DL}$	IS, PCMSO, PCMRO, VOXO, DOUT	—	—	100	pF
Bypass Capacitors for SG	$C_{SG}$	SG to AG	10 + 0.1	—	—	$\mu$ F

## ELECTRICAL CHARACTERISTICS

### DC and Digital Interface Characteristics

( $V_{DD} = 2.7\text{ V to }3.6\text{ V}$ ,  $T_a = -25^\circ\text{C to }+70^\circ\text{C}$ )

Parameter	Symbol	Condition	Min.	Typ.	Max.	Unit
Power Supply Current	$I_{DD1}$	Operating Mode, No Signal, ( $V_{DD} = 3.0\text{ V}$ )	—	7	14	mA
	$I_{DD2}$	Power Down Mode, ( $V_{DD} = 3.0\text{ V}$ )	—	0.1	0.2	mA
Input High Voltage	$V_{IH}$	—	$0.45 \times V_{DD}$	—	$V_{DD}$	V
Input Low Voltage	$V_{IL}$	—	0.0	—	$0.16 \times V_{DD}$	V
Input Leakage Current	$I_{IH}$	$V_I = V_{DD}$	—	—	2.0	$\mu\text{A}$
	$I_{IL}$	$V_I = 0\text{ V}$	—	—	0.5	$\mu\text{A}$
Output Low Voltage	$V_{OL}$	1 LSTTL, Pull-up: $500\ \Omega$	0.0	0.2	0.4	V
Output Leakage Current	$I_O$	IS	—	—	10	$\mu\text{A}$
Input Capacitance	$C_{IN}$	—	—	5	—	pF
Output Resistance	$R_{OSG}$	SG	—	25	50	k $\Omega$
SG Warm-up Time	$T_{SG}$	SG $\leftrightarrow$ GND $10 + 0.1\ \mu\text{F}$ (Rise time to 90% of max. level)	—	700	—	ns

### Transmit Analog Interface Characteristics

( $V_{DD} = 2.7\text{ V to }3.6\text{ V}$ ,  $T_a = -25^\circ\text{C to }+70^\circ\text{C}$ )

Parameter	Symbol	Condition	Min.	Typ.	Max.	Unit
Input Resistance	$R_{INX}$	AIN1+, AIN1-, AIN2	10	—	—	M $\Omega$
Output Load Resistance	$R_{LGX}$	GSX1, GSX2	20	—	—	k $\Omega$
Output Load Capacitance	$C_{LGX}$	GSX1, GSX2	—	—	100	pF
Output Amplitude	$V_{OGX}$	GSX1, GSX2, $R_L = 20\ \text{k}\Omega$	—	—	*1.30	$V_{PP}$
Input Offset Voltage	$V_{OFGX}$	Pre-OPAMPs	-20	—	+20	mV

- \*  $-7.7\ \text{dBm (600}\ \Omega) = 0\ \text{dBm}_0$ ,  $+3.14\ \text{dBm}_0 = 1.30\ V_{PP}$  (A-law)  
 $-7.7\ \text{dBm (600}\ \Omega) = 0\ \text{dBm}_0$ ,  $+3.17\ \text{dBm}_0 = 1.30\ V_{PP}$  ( $\mu$ -law)

## Receive Analog Interface Characteristics

 $(V_{DD} = 2.7 \text{ V to } 3.6 \text{ V, } T_a = -25^\circ\text{C to } +70^\circ\text{C})$ 

Parameter	Symbol	Condition	Min.	Typ.	Max.	Unit
Input Resistance	$R_{INPW}$	PWI	10	—	—	$M\Omega$
Output Load Resistance	$R_{LVF}$	VFRO	20	—	—	$k\Omega$
	$R_{LAO}$	AOUT+, AOUT-, SAO+, SAO-	1.2	—	—	$k\Omega$
Output Capacitance	$C_{LVF}$	VFRO	—	—	100	$\mu\text{F}$
	$C_{LAO}$	AOUT+, AOUT-, SAO+, SAO-	—	—	100	$\mu\text{F}$
Output Voltage Level	$V_{OVF}$	VFRO, $R_L = 20 \text{ k}\Omega$	—	—	*1.30	$V_{PP}$
	$V_{OAO}$	AOUT+, AOUT-, SAO+, SAO- $R_L = 1.2 \text{ k}\Omega$ $Z_L = 350 \Omega$ + 120 nF(See Fig.1)	—	—	*1.30	$V_{PP}$
Offset Voltage	$V_{OVF}$	VFRO	-100	—	+100	mV
	$V_{OFAO}$	AOUT+, AOUT- (GAIN = 0 dB, Power amp only) SAO+, SAO-	-20	—	+20	mV
Open Loop Gain	$G_{DB}$	Power amp (0.3 to 3.4 kHz, $Z_L = 350 \Omega + 120 \text{ nF}$ )(See Fig.1)	40	—	—	dB

- \*  $-7.7 \text{ dBm (} 600 \Omega) = 0 \text{ dBm}_0, +3.14 \text{ dBm}_0 = 1.30 \text{ V}_{PP}$  (A-law)  
 $-7.7 \text{ dBm (} 600 \Omega) = 0 \text{ dBm}_0, +3.17 \text{ dBm}_0 = 1.30 \text{ V}_{PP}$  ( $\mu$ -law)

AC Characteristics

(V<sub>DD</sub> = 2.7 V to 3.6 V, T<sub>a</sub> = -25°C to +70°C)

Parameter	Symbol	Condition			Min.	Typ.	Max.	Unit
		Freq. (Hz)	Level (dBm0)	Others				
Transmit Frequency Response	L <sub>oss</sub> T1	0 to 60	0	—	25	—	—	dB
	L <sub>oss</sub> T2	300 to 3000			-0.15	—	+0.20	dB
	L <sub>oss</sub> T3	1020			Reference			dB
	L <sub>oss</sub> T4	3300			-0.15	—	+0.80	dB
	L <sub>oss</sub> T5	3400			0	—	0.80	dB
	L <sub>oss</sub> T6	3968.75			13	—	—	dB
Receive Frequency Response	L <sub>oss</sub> R1	0 to 3000	0	—	-0.15	—	+0.20	dB
	L <sub>oss</sub> R2	1020			Reference			dB
	L <sub>oss</sub> R3	3300			-0.15	—	+0.80	dB
	L <sub>oss</sub> R4	3400			0	—	0.80	dB
	L <sub>oss</sub> R5	3968.75			13	—	—	dB
Transmit Signal to Distortion Ratio	SD T1	1020	3	(*1)	35	—	—	dB
	SD T2		0		35	—	—	dB
	SD T3		-30		35	—	—	dB
	SD T4		-40		28	—	—	dB
	SD T5		-45		23	—	—	dB
Receive Signal to Distortion Ratio	SD R1	1020	3	(*1)	35	—	—	dB
	SD R2		0		35	—	—	dB
	SD R3		-30		35	—	—	dB
	SD R4		-40		28	—	—	dB
	SD R5		-45		23	—	—	dB
Transmit Gain Tracking	GT T1	1020	3	—	-0.2	—	+0.2	dB
	GT T2		-10		Reference			dB
	GT T3		-40		-0.2	—	+0.2	dB
	GT T4		-50		-0.5	—	+0.5	dB
	GT T5		-55		-1.2	—	+1.2	dB
Receive Gain Tracking	GT R1	1020	3	—	-0.2	—	+0.2	dB
	GT R2		-10		Reference			dB
	GT R3		-40		-0.2	—	+0.2	dB
	GT R4		-50		-0.5	—	+0.5	dB
	GT R5		-55		-1.2	—	+1.2	dB

\*1 Use the P-message weighted filter

**AC Characteristics (Continued)**

(V<sub>DD</sub> = 2.7 V to 3.6 V, T<sub>a</sub> = -25°C to +70°C)

Parameter	Symbol	Condition			Min.	Typ.	Max.	Unit
		Freq. (Hz)	Level (dBm0)	Others				
Idle Channel Noise	N <sub>IDLT</sub>	—	A <sub>IN</sub> = SG	(*1)	—	—	-68 (-75.7)	dBmOp (dBmp)
	N <sub>IDLR</sub>	—	—	(*1) (*2)	—	—	-72 (-79.7)	
Absolute Signal Amplitude	A <sub>VT</sub>	1020	0	GSX2	0.285	0.320 (*3)	0.359	V <sub>rms</sub>
	A <sub>VR</sub>			VFRO	0.285	0.320 (*3)	0.359	V <sub>rms</sub>
Power Supply Noise Rejection Ratio	P <sub>SRRT</sub>	Noise Freq. : 0 to 50 kHz	Noise Level : 50 mV <sub>PP</sub>	—	30	—	—	dB
	P <sub>SRRR</sub>				30	—	—	dB
Digital Output Delay Time PCM and ADPCM Interface	t <sub>SDX</sub>	—	1 LSTTL + 100 pF, Pull-up: 500 Ω	See Fig.4	0	—	200	ns
	t <sub>SDR</sub>				0	—	200	ns
	t <sub>XD1</sub> t <sub>RD1</sub>				0	—	200	ns
	t <sub>XD2</sub> t <sub>RD2</sub>				0	—	200	ns
	t <sub>XD3</sub> t <sub>RD3</sub>				0	—	200	ns
	t <sub>SDX</sub> t <sub>SDR</sub> t <sub>XD1</sub> t <sub>RD1</sub> t <sub>XD2</sub> t <sub>RD2</sub> t <sub>XD3</sub> t <sub>RD3</sub>				0	—	200	ns
Serial Port Digital Input/Output Setting Time	t <sub>M1</sub>	—	C <sub>L</sub> = 100 pF	See Fig.5	50	—	—	ns
	t <sub>M2</sub>				50	—	—	ns
	t <sub>M3</sub>				50	—	—	ns
	t <sub>M4</sub>				50	—	—	ns
	t <sub>M5</sub>				100	—	—	ns
	t <sub>M6</sub>				50	—	—	ns
	t <sub>M7</sub>				50	—	—	ns
	t <sub>M8</sub>				0	—	50	ns
	t <sub>M9</sub>				50	—	—	ns
	t <sub>M10</sub>				50	—	—	ns
	t <sub>M11</sub>				0	—	50	ns
Shift Clock Frequency	f <sub>EXCK</sub>	—	—	EXCK	—	—	10	MHz

- \*1 Use the P-message weighted filter
- \*2 PCMRI input code "11010101"(A-law)  
"11111111"(μ-law)
- \*3 0.320 V<sub>rms</sub> = 0 dBm0 = -7.7 dBm

Note: All ADPCM coder and decoder characteristics comply with ITU-T Recommendation G.726.

**AC Characteristics (DTMF and Other Tones)**

(V<sub>DD</sub> = 2.7 V to 3.6 V, T<sub>a</sub> = -25°C to +70°C)

Parameter	Symbol	Condition		Min.	Typ.	Max.	Unit
Frequency Difference	D <sub>FT1</sub>	DTMF Tones		-7	—	+7	Hz
	D <sub>FT2</sub>	Other Tones		-7	—	+7	Hz
Original (reference) Tone Signal Level *4	V <sub>TL</sub>	Transmit Tones (Gain setting 0dB)	DTMF (Low)	-18	-16	-14	dBm0
	V <sub>TH</sub>		DTMF (High) and Other Tones	-16	-14	-12	dBm0
	V <sub>RL</sub>	Receive Tones (Tone generator gain setting -6dB)	DTMF (Low)	-10	-8	-6	dBm0
	V <sub>RH</sub>		DTMF (High) and Other Tones	-8	-6	-4	dBm0
Relative Level of DTMF Tones	R <sub>DTMF</sub>	V <sub>TH</sub> /V <sub>TL</sub> , V <sub>RH</sub> /V <sub>RL</sub>		1	2	3	dBm0

\*4 Does not contain the setting value set for the programmable gain

**AC Characteristics (Programmable Gain Stages)**

(V<sub>DD</sub> = 2.7 V to 3.6 V, T<sub>a</sub> = -25°C to +70°C)

Parameter	Symbol	Condition	Min.	Typ.	Max.	Unit
Gain Accuracy	D <sub>G</sub>	All gain stages, to programmed value	-1	0	+1	dB

**AC Characteristics (VOX Function)**

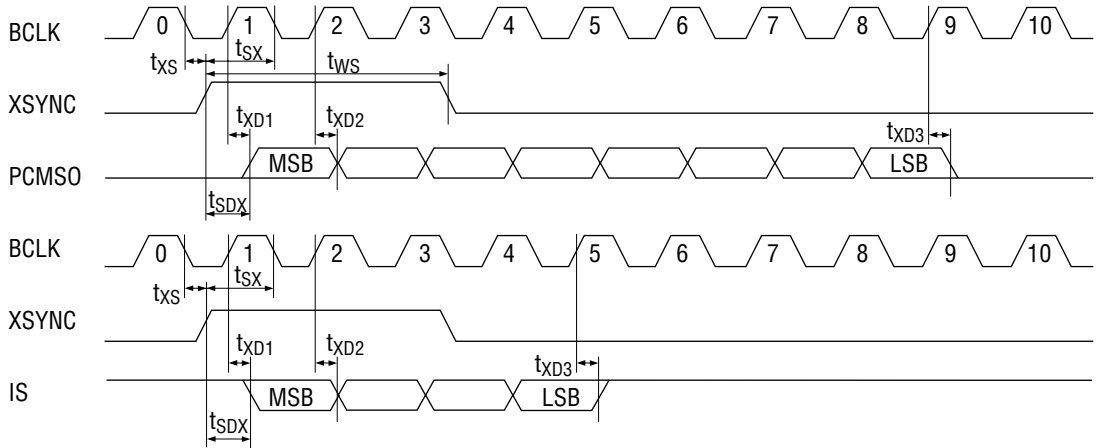
(V<sub>DD</sub> = 2.7 V to 3.6 V, T<sub>a</sub> = -25°C to +70°C)

Parameter	Symbol	Condition		Min.	Typ.	Max.	Unit
Transmit VOX Detect Time (Voice Signal ON/OFF Detect Time)	t <sub>VXON</sub>	OFF → ON	VOX0,	—	10 <sup>*5</sup>	—	ms
	t <sub>VXOF</sub>	ON → OFF	See Fig.2	150/310	160/320	170/330	ms
Transmit VOX Detect Level Accuracy (Threshold Level)	D <sub>VX</sub>	To the values (CR6-B6, B5)		-2.5	0	+2.5	dB

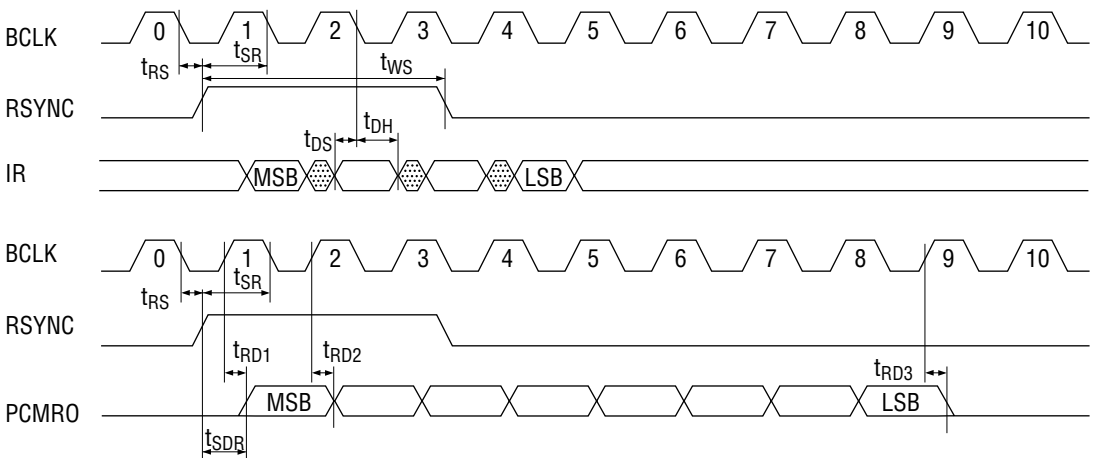
\*5 When single tone is input at 1000Hz

**TIMING DIAGRAM**

**Transmit Side PCM/ADPCM Data Interface**



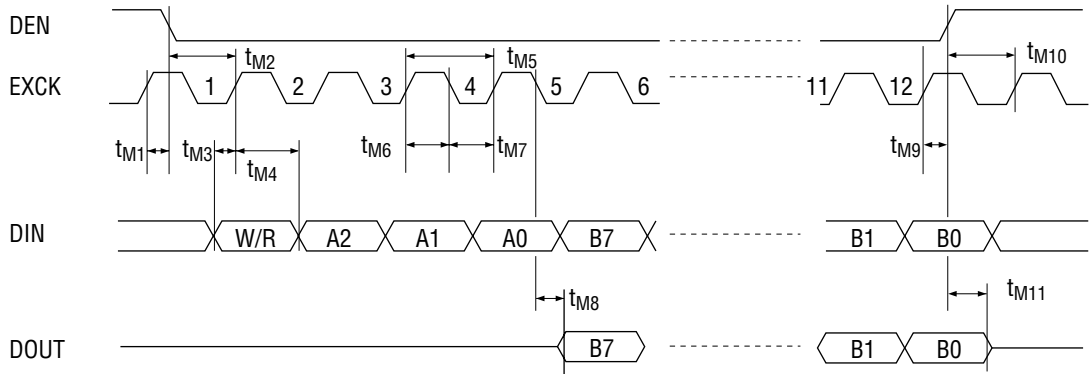
**Receive Side PCM/ADPCM Data Interface**



**Figure 4 PCM/ADPCM Data Interface**



**Serial Port Data Transfer for MCU Interface**



**Figure 5 MCU Interface**

## FUNCTIONAL DESCRIPTION

### Control Registers

(1) CR0 (Basic operating mode)

	B7	B6	B5	B4	B3	B2	B1	B0
CR0	A/ $\mu$ SEL	MCK SEL	PDN ALL	—	—	—	—	PDN SAO/AOUT
Initial Value (Note)	0	0	0	0	0	0	0	0

Note: Initial Value: Reset state by  $\overline{\text{PDN/RESET}}$

B7 ...PCM Companding law select; 0/ $\mu$ -law, 1/A-law

B6 ...Master clock frequency select; 0/12.288 MHz, 1/19.200 MHz

B5 ...Power down (entire system); 0/Power on, 1/Power down

When using this data for power down control, set pin  $\overline{\text{PDN/RESET}}$  at "1" level.

The control registers are not reset by this signal.

B2 ...Not used

B1 ...Not used

B0 ...Power Down for Sound output amps: (SAO+, SAO-), or Receiver output amp (AOUT+, AOUT-, VFRO );

If this data is set to digital "1", either a pair of sound amplifiers or a pair of receiver amplifiers enters the power down state depending on the set data on CR4-B5.

If this data is set to digital "0", sound amplifiers and receiver amplifiers are in the power-on state.

B4, B3 ...Not used (These pins are used to test the device. They should be set to "0" during normal operation.)

(2) CR1 (ADPCM block operating mode)

	<b>B7</b>	<b>B6</b>	<b>B5</b>	<b>B4</b>	<b>B3</b>	<b>B2</b>	<b>B1</b>	<b>B0</b>
CR1	MODE1	MODE0	TX RESET	RX RESET	TX MUTE	RX MUTE	—	RX PAD
Initial Value	0	0	0	0	0	0	0	0

B7, B6 ... ADPCM data compression algorithm select;

- (0, 0): 32 kbps
- (0, 1): 64 kbps (data through)
- (1, 0): 24 kbps
- (1, 1): 16 kbps

B5 ... ADPCM of transmit reset (specified by G.726);

1/Reset\*

B4 ... ADPCM of receive reset (specified by G.726 );

1/Reset\*

B3 ... ADPCM transmit data mute,

1/Mute

B2 ... ADPCM receive data mute,

1/Mute

B1 ... Not used

B0 ... Receive side PAD,

1/inserted,12 dB loss

0/no PAD

- \* The reset width should be 125µs or more.  
The transmitter and receiver cannot be reset separately.  
They must be reset at the same time.

(3) CR2 (PCM CODEC operational mode setting and transmit/receive gain adjustment)

	B7	B6	B5	B4	B3	B2	B1	B0
CR2	TX ON/OFF	TX GAIN2	TX GAIN1	TX GAIN0	RX ON/OFF	RX GAIN2	RX GAIN1	RX GAIN0
Initial Value	0	0	0	0	0	0	0	0

B7 ... PCM Coder disable; 0/Enable, 1/Disable (transmit PCM idle pattern)

B6, B5, B4 ... Transmit gain adjustment, refer to Table-2.

B3 ... PCM Decoder disable; 0/Enable, 1/Disable (receive PCM idle pattern)

B2, B1, B0 ... Receive gain setting, refer to Table-2.

**Table-2**

B6	B5	B4	Transmit Gain	B2	B1	B0	Receive Gain
0	0	0	-6 dB	0	0	0	-6 dB
0	0	1	-4 dB	0	0	1	-4 dB
0	1	0	-2 dB	0	1	0	-2 dB
0	1	1	0 dB	0	1	1	0 dB
1	0	0	+2 dB	1	0	0	+2 dB
1	0	1	+4 dB	1	0	1	+4 dB
1	1	0	+6 dB	1	1	0	+6 dB
1	1	1	+8 dB	1	1	1	+8 dB

This programmable gain table, not only for transmit/receive voice signal and the transmitted DTMF and other tones. The transmission of these tone signal is enabled by the CR4-B6 data described later. The original (reference) signal amplitude of these tones is analogically defined as follows.

- DTMF low-group-tones ..... -16 dBm0
- DTMF high-group-tones and others ..... -14 dBm0

For example, when selecting +8 dB (B6, B5, B4) = (1,1,1) as a transmit gain, each tone signal amplitude with an analogical expression on the pin PCMSO becomes as follows .

- DTMF low-group tones ..... -8 dBm0
- DTMF high-group tones and other tones ..... -6 dBm0

Gain setting for the side tone (path to receive side from transmit side) and the receive side tone is performed by register CR3.

(4) CR3 (Side tone and other tone generator gain setting)

	<b>B7</b>	<b>B6</b>	<b>B5</b>	<b>B4</b>	<b>B3</b>	<b>B2</b>	<b>B1</b>	<b>B0</b>
CR3	Side. Tone GAIN2	Side. Tone GAIN1	Side. Tone GAIN0	TONE ON/OFF	TONE GAIN3	TONE GAIN2	TONE GAIN1	TONE GAIN0
Initial Value	0	0	0	0	0	0	0	0

B7, B6, B5 ... Side tone path gain setting, refer to Table-3.

B4 ... Tone generator enable; 0/Disable, 1/Enable

B3, B2, B1, B0 ... Tone generator gain adjustment for receive side, refer to Table-4

**Table-3**

B7	B6	B5	Side Tone Path Gain
0	0	0	OFF
0	0	1	-21 dB
0	1	0	-19 dB
0	1	1	-17 dB
1	0	0	-15 dB
1	0	1	-13 dB
1	1	0	-11 dB
1	1	1	-9 dB

**Table-4**

B3	B2	B1	B0	Tone Generator Gain	B3	B2	B1	B0	Tone Generator Gain
0	0	0	0	-36 dB	1	0	0	0	-20 dB
0	0	0	1	-34 dB	1	0	0	1	-18 dB
0	0	1	0	-32 dB	1	0	1	0	-16 dB
0	0	1	1	-30 dB	1	0	1	1	-14 dB
0	1	0	0	-28 dB	1	1	0	0	-12 dB
0	1	0	1	-26 dB	1	1	0	1	-10 dB
0	1	1	0	-24 dB	1	1	1	0	-8 dB
0	1	1	1	-22 dB	1	1	1	1	-6 dB

The tone generator gain setting table for the receive side, as shown in Table-4, depends upon the following reference level.

DTMF low-group tones ..... -2 dBm0

DTMF high-group tones and others ..... 0 dBm0

For example, when selecting -6 dB (B3, B2, B1, B0) = (1, 1, 1, 1) as a tone generator gain, each DTMF tone signal amplitude on SAO+ / SAO- or VFRO is as follows.

DTMF low-group tone ..... -8 dBm0

DTMF high-group tone or other tones ..... -6 dBm0

(5) CR4 (Tone generator operating mode and frequency select)

	<b>B7</b>	<b>B6</b>	<b>B5</b>	<b>B4</b>	<b>B3</b>	<b>B2</b>	<b>B1</b>	<b>B0</b>
CR4	DTMF/OTHERS SEL	TONE SEND	SAO/ VFRO	TONE4	TONE3	TONE2	TONE1	TONE0
Initial Value	0	0	0	0	0	0	0	0

B7 ... DTMF or other tones select; 0/Others, 1/DTMF

B6 ... Tone transmit enable (Transmit side); 0/Voice signal (transmit), 1/Tone transmit

B5 ... Tone output pin select (Receive side); 0/VFRO, 1/SAO+ and SAO-

B4, B3, B2, B1, B0 ... Tone frequency setting, referred to Table-5-1, 5-2, and 5-3.

(a) B7 = 1 (DTMF tone)

**Table-5-1**

<b>B4</b>	<b>B3</b>	<b>B2</b>	<b>B1</b>	<b>B0</b>	<b>Frequency</b>	<b>B4</b>	<b>B3</b>	<b>B2</b>	<b>B1</b>	<b>B0</b>	<b>Frequency</b>
*	0	0	0	0	697 Hz + 1209 Hz	*	1	0	0	0	852 Hz + 1209 Hz
*	0	0	0	1	697 Hz + 1336 Hz	*	1	0	0	1	852 Hz + 1336 Hz
*	0	0	1	0	697 Hz + 1477 Hz	*	1	0	1	0	852 Hz + 1477 Hz
*	0	0	1	1	697 Hz + 1633 Hz	*	1	0	1	1	852 Hz + 1633 Hz
*	0	1	0	0	770 Hz + 1209 Hz	*	1	1	0	0	941 Hz + 1209 Hz
*	0	1	0	1	770 Hz + 1336 Hz	*	1	1	0	1	941 Hz + 1336 Hz
*	0	1	1	0	770 Hz + 1477 Hz	*	1	1	1	0	941 Hz + 1477 Hz
*	0	1	1	1	770 Hz + 1633 Hz	*	1	1	1	1	941 Hz + 1633 Hz

\*Unrelated

(b) B7 = 0 (Other tones)

<MSM7570L-01>

**Table-5-2**

<b>B4</b>	<b>B3</b>	<b>B2</b>	<b>B1</b>	<b>B0</b>	<b>Frequency</b>	<b>B4</b>	<b>B3</b>	<b>B2</b>	<b>B1</b>	<b>B0</b>	<b>Frequency</b>
0	0	0	0	0	1k/1333 Hz, 16 Hz wamb.	1	0	0	0	0	2000 Hz Single tone
0	0	0	0	1	800/667 Hz, 16 Hz wamb.	1	0	0	0	1	2042 Hz Single tone
0	0	0	1	0	800/1k Hz, 16 Hz wamb.	1	0	0	1	0	2514 Hz Single tone
0	0	0	1	1	500/667 Hz, 16 Hz wamb.	1	0	0	1	1	500 Hz Single tone
0	0	1	0	0	500/400 Hz, 16 Hz wamb.	1	0	1	0	0	667 Hz Single tone
0	0	1	0	1	800/1k Hz, 8 Hz wamb.	1	0	1	0	1	1333 Hz Single tone
0	0	1	1	0	500/400 Hz, 8 Hz wamb.	1	0	1	1	0	2100 Hz Single tone
0	0	1	1	1	400 Hz, 16 Hz wamb.	1	0	1	1	1	—
0	1	0	0	0	400 Hz, 20 Hz wamb.	1	1	0	0	0	—
0	1	0	0	1	400 Hz Single tone	1	1	0	0	1	—
0	1	0	1	0	425 Hz Single tone	1	1	0	1	0	—
0	1	0	1	1	440 Hz Single tone	1	1	0	1	1	—
0	1	1	0	0	450 Hz Single tone	1	1	1	0	0	—
0	1	1	0	1	800 Hz Single tone	1	1	1	0	1	—
0	1	1	1	0	1000 Hz Single tone	1	1	1	1	0	—
0	1	1	1	1	1300 Hz Single tone	1	1	1	1	1	—

(b) B7 = 0 (Other tones)  
<MSM7570L-02>

Table-5-3

B4	B3	B2	B1	B0	Frequency	B4	B3	B2	B1	B0	Frequency
0	0	0	0	0	1k/1333 Hz 16 Hz wamb.	1	0	0	0	0	2500 Hz Single tone
0	0	0	0	1	800/1k Hz 16 Hz wamb.	1	0	0	0	1	2600 Hz Single tone
0	0	0	1	0	800/1k Hz 8 Hz wamb.	1	0	0	1	0	2670 Hz Single tone
0	0	0	1	1	400 Hz, 16 Hz wamb.	1	0	0	1	1	2700 Hz Single tone
0	0	1	0	0	2700 Hz, 16 Hz wamb.	1	0	1	0	0	2800 Hz Single tone
0	0	1	0	1	400 Hz	1	0	1	0	1	2910 Hz Single tone
0	0	1	1	0	800 Hz	1	0	1	1	0	3000 Hz Single tone
0	0	1	1	1	1000 Hz	1	0	1	1	1	3110 Hz Single tone
0	1	0	0	0	1333 Hz	1	1	0	0	0	3200 Hz Single tone
0	1	0	0	1	1440 Hz	1	1	0	0	1	—
0	1	0	1	0	1900 Hz	1	1	0	1	0	—
0	1	0	1	1	2000 Hz	1	1	0	1	1	—
0	1	1	0	0	2100 Hz	1	1	1	0	0	—
0	1	1	0	1	2180 Hz	1	1	1	0	1	—
0	1	1	1	0	2300 Hz	1	1	1	1	0	—
0	1	1	1	1	2400 Hz	1	1	1	1	1	—

(6) CR5 (Not used)

	B7	B6	B5	B4	B3	B2	B1	B0
CR5	—	—	—	—	—	—	—	—
Initial Value	0	0	0	0	0	0	0	0

B7 – B0..... Not used

(7) CR6 (VOX function control)

	<b>B7</b>	<b>B6</b>	<b>B5</b>	<b>B4</b>	<b>B3</b>	<b>B2</b>	<b>B1</b>	<b>B0</b>
CR6	VOX ON/OFF	ON LVL1	ON LVL0	OFF TIME	VOX IN	RX NOISE LEVEL SEL	RX NOISE LVL1	RX NOISE LVL0
Initial Value	0	0	0	0	0	0	0	0

B7 ... VOX function enable; 0/Disable, 1/Enable

B6, B5 ... Transmit signal energy detect (Transmit VOX) threshold

(0, 0): -30 dBm0

(0, 1): -35 dBm0

(1, 0): -40 dBm0

(1, 1): -45 dBm0

B4 ... Hang-over time (Fig.2,  $T_{VXOFF}$ ); 0/160 ms, 1/320 ms

B3 ... Receive VOX function setting; 0/Background noise transmit, 1/Voice signal detect

When using this data for control, set pin VOXI at "0" level.

B2 ... Background noise amplitude setting; 0/Automatic, 1/Programmable by B1 and B0

Automatic : Set the noise at the voice signal amplitude when B3 (or VOXI) changes from "1" to digital "0".

B1, B0 ... (0, 0): No noise

(0, 1): -55 dBm0

(1, 0): -45 dBm0

(1, 1): -35 dBm0

(8) CR7 (Detect register, read only)

	<b>B7</b>	<b>B6</b>	<b>B5</b>	<b>B4</b>	<b>B3</b>	<b>B2</b>	<b>B1</b>	<b>B0</b>
CR7	VOX OUT	TX NOISE LVL1	TX NOISE LVL0	—	—	—	—	—
Initial Value	0	0	0	*	*	*	*	*

\* For IC test

B7 ... Transmit VOX function result; 0/Silence, 1/Voice

B6, B5 ... Transmit silence level (indicator); (at 1000 Hz)

(0, 0) : Below -60 dBm0

(0, 1) : -50 to -60 dBm0

(1, 0) : -40 to -50 dBm0

(1, 1) : Above -40 dBm0

Note: These outputs are valid only when the VOX function is enabled by CR6-B7.

B4 ... Not used

B3 ... Not used

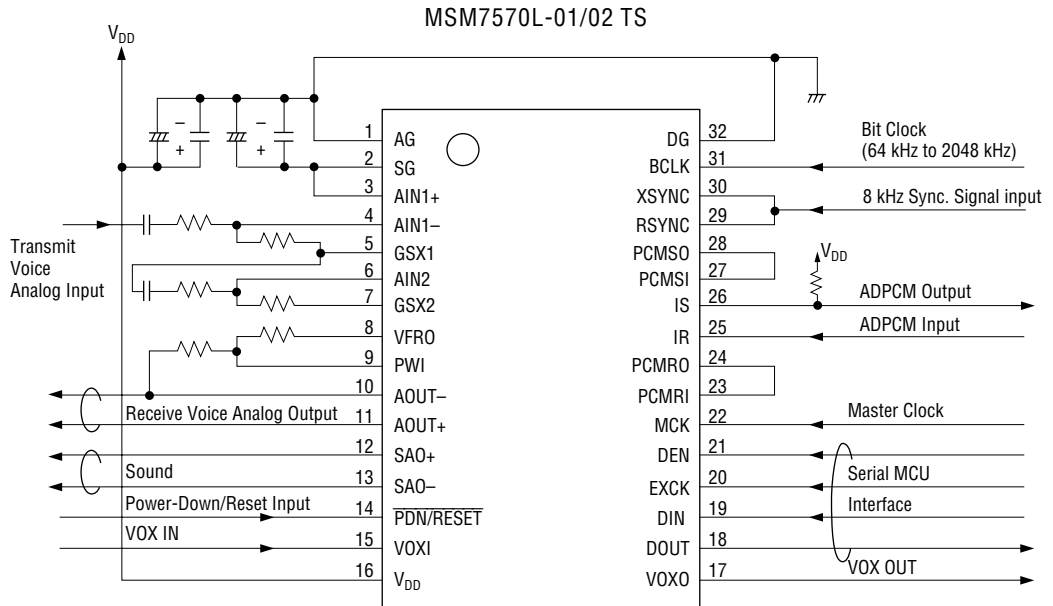
B2 ... Not used

B1 ... Not used

B0 ... Not used



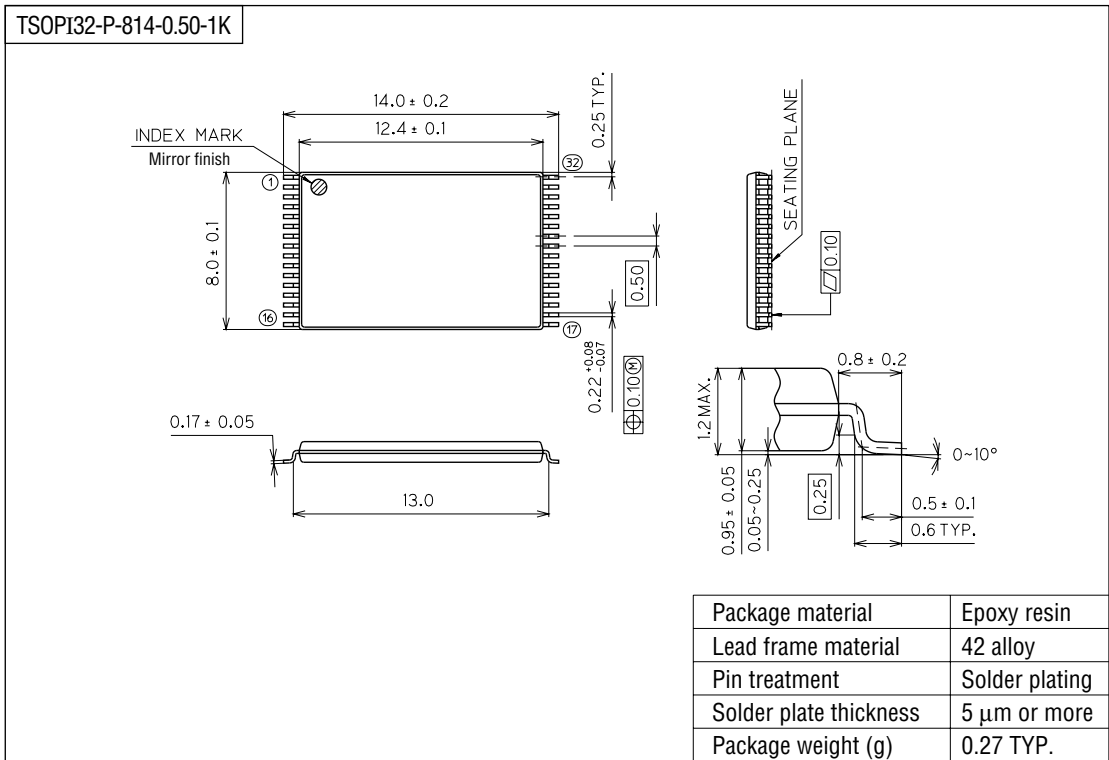
APPLICATION CIRCUIT



\* Single-ended Analog Input Stage Type

PACKAGE DIMENSIONS

(Unit : mm)



Notes for Mounting the Surface Mount Type Package

The SOP, QFP, TSOP, SOJ, QFJ (PLCC), SHP and BGA are surface mount type packages, which are very susceptible to heat in reflow mounting and humidity absorbed in storage. Therefore, before you perform reflow mounting, contact Oki's responsible sales person for the product name, package name, pin number, package code and desired mounting conditions (reflow method, temperature and times).