

Toroidal Inductors

Medium Current

CTP4408

CTP4408 is a medium current inductor with the following data and features:

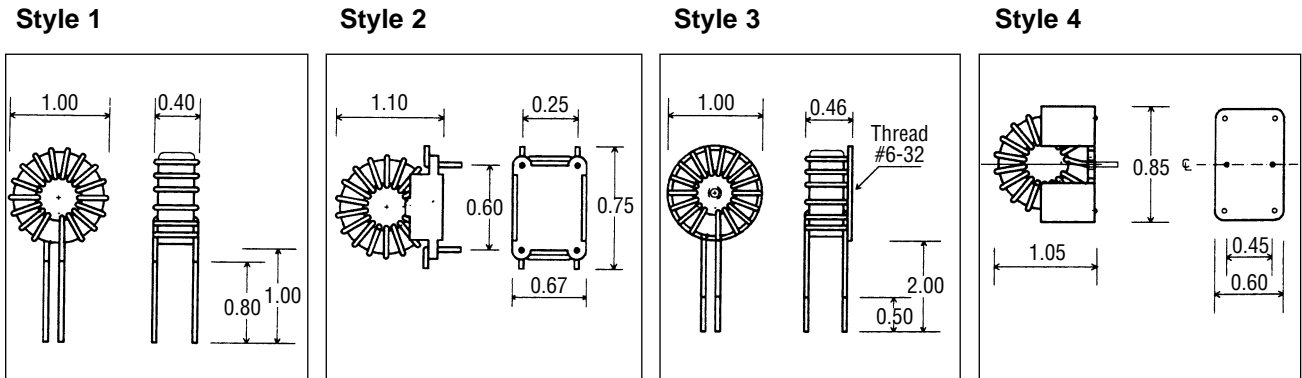
- **Core type:** 0.80" o.d., Iron Powder, perm 75.
- **Power rating:** 1.2 watts for temp. rise 50°C.
- **Typical applications:** Input and output filters in Switch Mode Power Supplies.

Four mounting styles are offered:

- 1 Flying leads (1.00"), for vertical or horizontal mounting.
- 2 4-pin header, for vertical mounting.
- 3 Threaded center hole, flying leads (2.00").
- 4 2-pin header, for vertical mounting.



MECHANICAL



ELECTRICAL SPECIFICATION

Ordering Information: Substitute the style number for the asterisk (*). Example: CTP4408, Style 1, 56uH. Order: CTP4408 - 116

Part No. CTP4408 -	Inductance (uH)	DCR Ohms	Rated Current Amp. RMS	I (amp.) @ Lsat. 10%	I (amp.) @ Lsat. 25%	I (amp.) @ Lsat. 50%
* 01	3.3	0.006	13.9	6.2	12.4	24.9
* 02	3.9	0.007	13.4	5.7	11.4	22.9
* 03	4.7	0.007	12.8	5.2	10.4	20.9
* 04	5.6	0.008	12.3	4.8	9.6	19.1
* 05	6.8	0.009	11.7	4.3	8.7	17.3
* 06	8.2	0.010	11.2	3.9	7.9	15.8
* 07	10	0.010	10.7	3.6	7.1	14.3
* 08	12	0.011	10.2	3.3	6.5	13.1
* 09	15	0.013	9.7	2.9	5.8	11.7
* 10	18	0.014	9.3	2.7	5.3	10.7
* 11	22	0.015	8.8	2.4	4.8	9.6
* 12	27	0.017	8.4	2.2	4.4	8.7
* 13	33	0.019	8.0	2.0	3.9	7.9
* 14	39	0.020	7.7	1.8	3.6	7.2
* 15	47	0.022	7.3	1.6	3.3	6.6
* 16	56	0.024	7.0	1.5	3.0	6.0
* 17	68	0.034	6.0	1.4	2.7	5.5
* 18	82	0.047	5.1	1.2	2.5	5.0
* 19	100	0.052	4.8	1.1	2.3	4.5
* 20	120	0.071	4.1	1.0	2.1	4.1
* 21	150	0.100	3.5	0.9	1.8	3.7
* 22	180	0.138	2.9	0.8	1.7	3.4
* 23	220	0.193	2.5	0.8	1.5	3.0
* 24	270	0.267	2.1	0.7	1.4	2.8

CTP4408