

T-79-25



VA033

UNITY GAIN VIDEO BUFFER

FEATURES

- Low Offset: 8mV
- High Slew Rate: 2000V/μs.
- Fast Rise Time: 1.8ns
- High Output Current: ±100mA
- Wide Power Bandwidth: DC to 85MHz
- Replace Costly Hybrids
- Pin-Compatible with HA-5033 and LH0033
- Available in Commercial Versions

DESCRIPTION

The VA033 is a high-speed unity gain buffer capable of ±100mA output current, 2000 V/μs slew rate and a small signal bandwidth in excess of 250MHz. It is intended to fulfill a wide range of buffer applications such as high-speed line drivers, video impedance transformation, op amp isolation buffer for driving reactive loads, and high impedance input buffers for high-speed A-to-Ds and comparators.

The device is available in 8-pin ceramic and plastic DIP and SOIC (surface mount) packages.

ABSOLUTE MAXIMUM RATINGS

Supply Voltages	±6V
Input Voltage	±Vs
Output Current (Peak)	±200mA
Power Dissipation (Note 1):	
TA = 25°C	1.15W: Plastic DIP 0.83W: SOIC, Ceramic DIP, TO-99

Note 1: Power derating above 25°C shall be based on a maximum junction temperature of 175°C and the following thermal resistance factors:

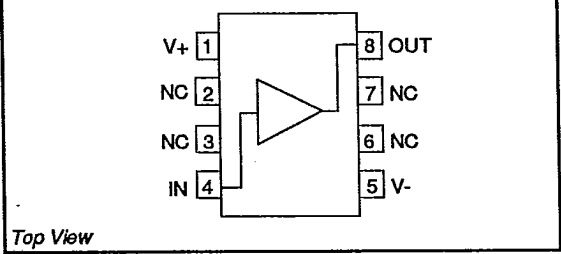
Packages	θ _{JC} (°C/W)	θ _{JA} (°C/W)
Plastic DIP	60	130
SOIC/Ceramic DIP	100	100

PACKAGE TYPES AVAILABLE

- 8-Pin Plastic DIP
- 8-Pin CERDIP
- 8-Pin SOIC

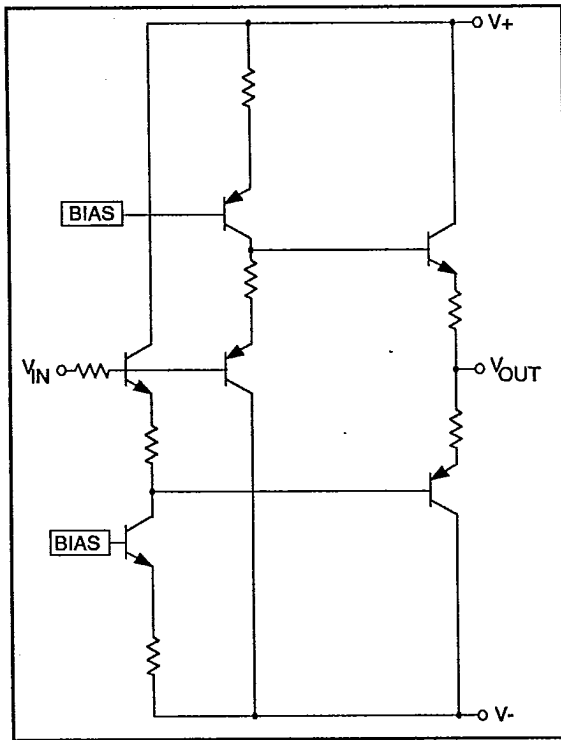
CONNECTION DIAGRAM

8-Lead Dual In-Line/SOIC Package



Top View

SIMPLIFIED SCHEMATIC



T-79-25

ELECTRICAL CHARACTERISTICS ($V_S = \pm 5V$, $R_L = 50\Omega$, $T_A = 25^\circ C$ unless otherwise stated)

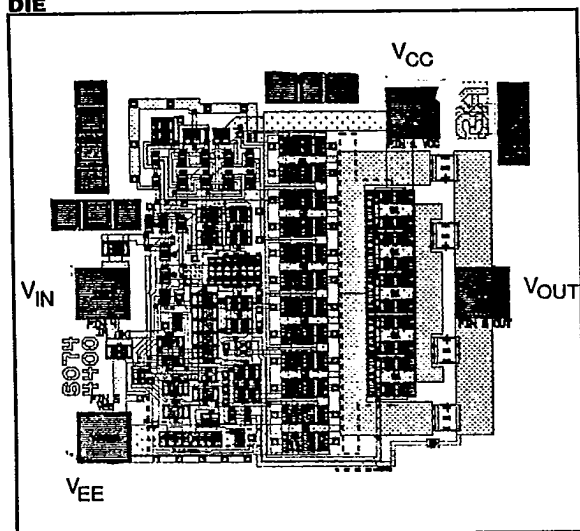
PARAMETER	SYM	CONDITIONS	VA033J			UNITS
			MIN	TYP	MAX	
Output Offset Voltage	V_{OS}	$V_{IN} = 0V$		8	20	mV
		$0^\circ \leq T_A \leq 70^\circ C$		12	30	
		$-55^\circ C \leq T_A \leq 125^\circ C$				
Input Bias Current	I_B	$R_L = 1k\Omega$		15	35	μA
		$0^\circ \leq T_A \leq 70^\circ C$		20	50	
		$-55^\circ C \leq T_A \leq 125^\circ C$				
Input Resistance	R_{IN}	$V_{IN} = \pm 3V$ $R_L = 1k\Omega$	30K	60K		Ω
Input Capacitance	C_{IN}			2.5		pF
Input Noise Voltage	e_N	10Hz to 2MHz		60		μV
Voltage Gain	A_V	$V_{IN} = \pm 3V$	$R_L = 50\Omega$	0.85	0.88	V/V
			$R_L = 1k\Omega$	0.95	0.97	
			$0^\circ \leq T_A \leq 70^\circ C$ $R_L = 1k\Omega$	0.94		
			$-55^\circ C \leq T_A \leq 125^\circ C$ $R_L = 1k\Omega$			
Output Voltage Swing	V_{OUT}	$V_{IN} = +3.5V$ $R_L = 25\Omega$	± 2.5			V
		$V_{IN} = \pm 4V$ $R_L = 1k\Omega$	± 3.5			
Output Resistance	R_{OUT}	$R_L = 1k$		6		Ω
Rise / Fall Time	t_r / t_f	(Figure 1) $V_O = \pm 0.25V$		1.8		ns
Small Signal Bandwidth	BW	(Figure 1) $R_L = 50\Omega$		300		MHz
Slew Rate	SR	(Figure 2) $C_L = 10pF$ $V_{IN} = \pm 3V$ $R_L = 1k$	1500	2000		V/ μs
Full Power Bandwidth	FPBW	(Figure 1) $C_L = 10pF$ $V_{IN} = 1V_{RMS}$ $R_L = 1k$		85		MHz
Supply Current	I_S	$V_{IN} = 0V$		28	40	mA

T-79-25

WAFER TEST LIMITS ($V_S = \pm 5V$, $T_A = 25^\circ C$ unless otherwise stated)

PARAMETER	SYMBOL	CONDITIONS	VA033XS LIMITS			UNITS
			MIN	TYP	MAX	
Output Offset Voltage	V_{OS}	$V_{IN} = 0V$ $R_L = 50\Omega$		10	30	mV
Input Bias Current	I_B	$R_L = 1K\Omega$		30	50	μA
Input Resistance	R_{IN}			60K		Ω
Input Noise Voltage	C_N	10Hz to 2MHz		60		μV
Voltage Gain	A_V	$R_L = 1K\Omega$ $V_{IN} = \pm 3.0V$	0.93	0.97		V/V
Output Voltage Swing	V_{OUT}	$V_{IN} = \pm 4V$ $R_L = 1K\Omega$	± 3.5			V
Output Resistance	R_{OUT}	$R_L = 1K\Omega$		6		Ω
Rise/Fall Times	t_r / t_f	$V_O = \pm 0.25V$		1.8		ns
Small Signal Bandwidth	BW	$R_L = 50\Omega$		300		MHz
Slew Rate	SR	$C_L = 10pF$ $V_{IN} = \pm 3.5V$ $R_L = 1K\Omega$		2000		V/ μs
Full Power Bandwidth	FPBW			85		MHz
Supply Current	I_S	$V_{IN} = 0V$		28	40	mA

DIE



Die size = 0.050 X 0.050 Inch (2500sq mils)
= 1.27 X 1.27mm (1.61sq mm)

DICE POLICY

Electrical Characteristics

Each die is electrically tested to the commercial or military grade DC parameters to guard band limits at 25°C to guarantee operation over the full temperature range.

Quality Assurance

All dice are 100% visually inspected to the requirement of MIL-STD-883C, Method 2010.2, Condition 3.

All dice are glass passivated to provide scratch protection, with only the bonding pads exposed.

All dice are provided with gold backing.

Shipping Packages/Order Information

All dice are packaged in die crates with individual compartments which prevent damage to the die during shipping. Minimum order for dice is 100, supplied only in multiples of 100.

VA033

T-79-25

Layout Considerations

In order to fully realize the high speed capability of the VA033, certain layout considerations need to be followed. A ground plane should be used since it is the best method for minimizing stray inductance and distributed circuit capacitance. All connections to the amplifier should be kept as short as possible including the power supplies which should be bypassed with $0.1\mu\text{F}$ capacitors; or better yet, a capacitor combination of $1\mu\text{F}$ to $10\mu\text{F}$ aluminum electrolytic or solid tantalum in parallel with a $0.01\mu\text{F}$ ceramic.

Figure 1: DC/AC Test Circuits

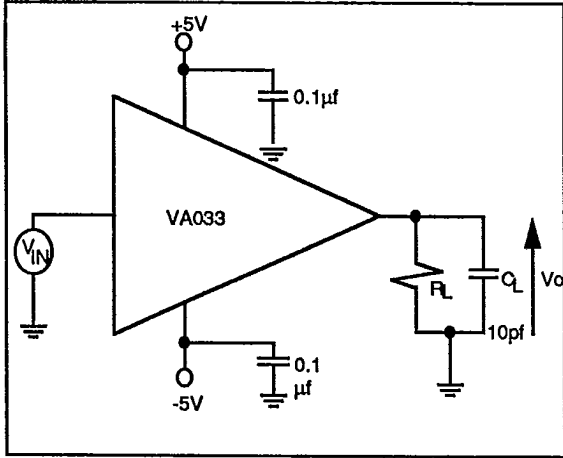
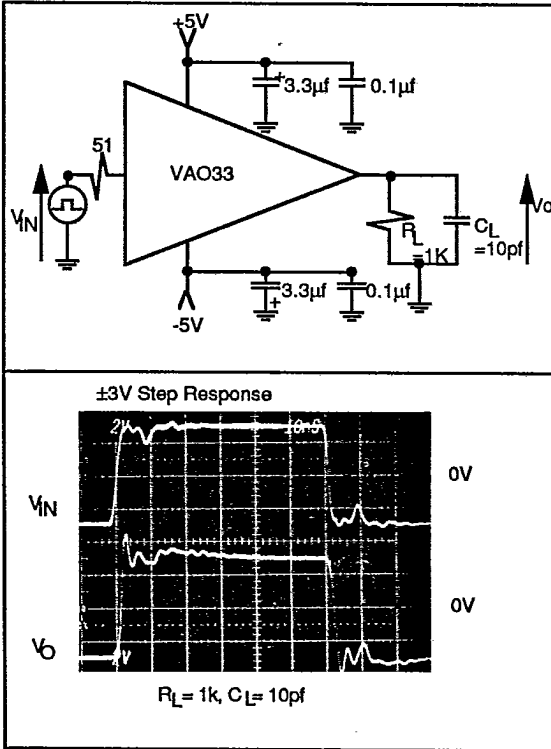
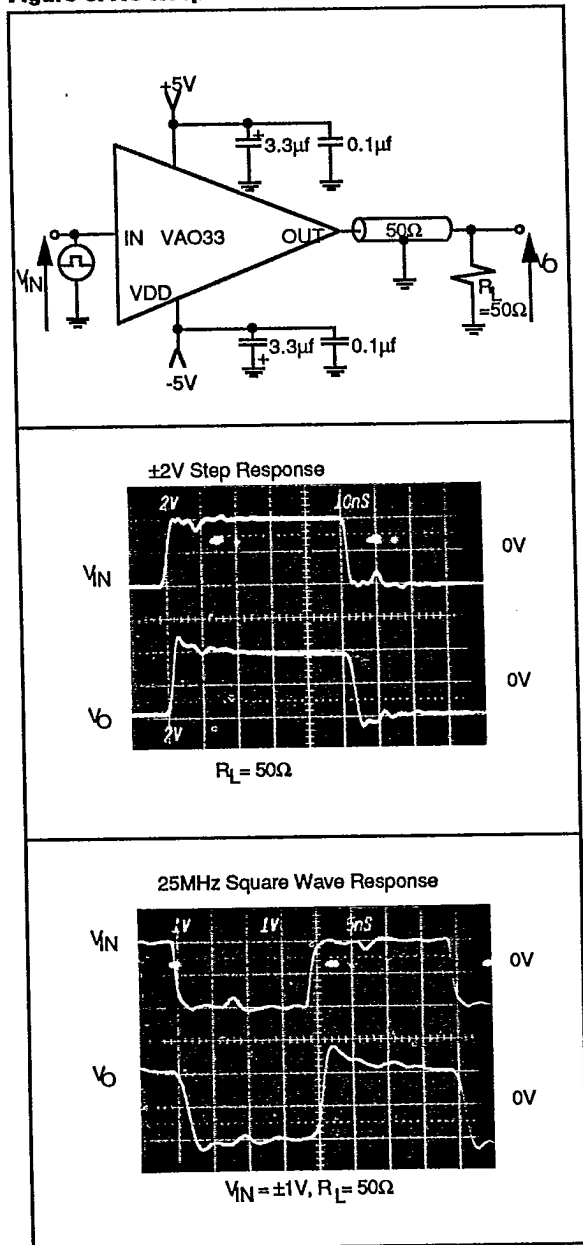


Figure 2: AC Response Characteristics



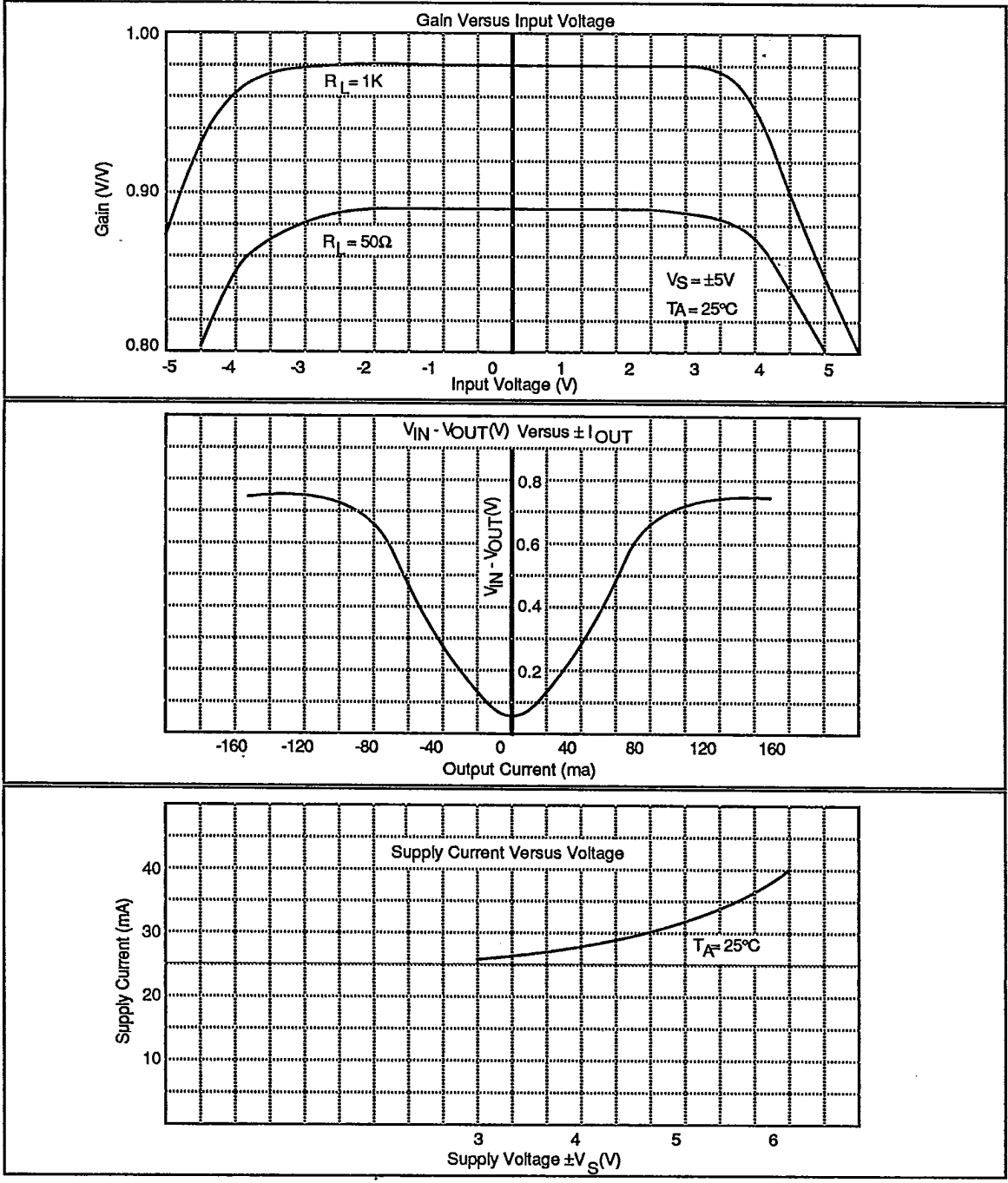
T-79-25

Figure 3: AC Response Characteristics



T-79-25

TYPICAL PERFORMANCE CURVES



T-79-25

TYPICAL PERFORMANCE CURVES

