

Glass Passivated Ultra Fast Recovery Rectifier

COMCHIP
SMD DIODE SPECIALIST

UF8A01-G THRU UF8A05-G

Voltage Range 50 to 600 V

Current 8.0 Ampere

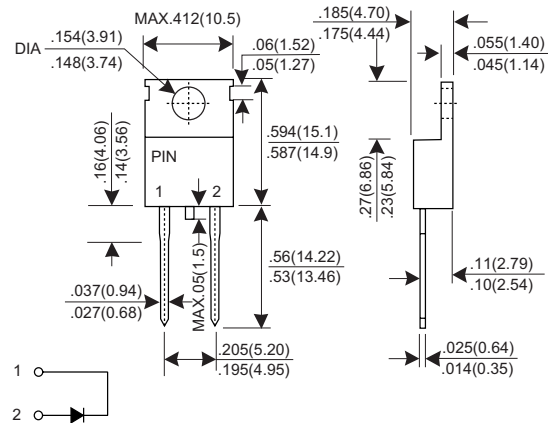
Features

- * Fast switching for high efficiency
- * Low forward voltage drop
- * High current capability
- * Low reverse leakage current
- * High surge current capability

Mechanical Data

- * Case: Molded plastic TO-220AC
- * Epoxy: UL 94V-0 rate flame retardant
- * Terminals: Solderable per MIL-STD-202 method 208
- * Polarity: Color band denotes cathode
- * Mounting position: Any
- * Weight: 2.03 grams

TO-220AC



Dimensions in inches and (millimeters)

MAXIMUM RATINGS AND ELECTRICAL CHARACTERISTICS

Rating at 25°C ambient temperature unless otherwise specified.

Single phase, half wave, 60Hz, resistive or inductive load.

For capacitive load, derate current by 20%.

	SYMBOL	UF 8A01-G	UF 8A02-G	UF 8A03-G	UF 8A04-G	UF 8A05-G	UNIT
Maximum Recurrent Peak Reverse Voltage	VRRM	50	100	200	400	600	V
Maximum RMS Voltage	VRMS	35	70	140	280	420	V
Maximum DC Blocking Voltage	VDC	50	100	200	400	600	V
Maximum Average Forward Rectified Current Tc=100°C	IF(AV)	8.0					A
Peak Forward Surge Current, 8.3ms single Half sine-wave superimposed on rated load (JEDEC method)	IFSM	150					A
Maximum Instantaneous Forward Voltage @ 8.0 A	VF	1.0		1.3		1.7	V
Maximum DC Reverse Current @Tj=25°C At Rated DC Blocking Voltage @Tj=125°C	IR	10.0			250		uA
Maximum Reverse Recovery Time (Note 1)	Trr	50				75	nS
Typical junction Capacitance (Note 2)	CJ	65					pF
Typical Thermal Resistance (Note 3)	RθJC	2.2					°CW
Operating Junction and Storage Temperature Range	TJ, TSTG	-55 to + 150					°C

NOTES : (1) Reverse recovery test conditions IF = 0.5A, IR = 1.0A, Irr = 0.25A.
(2) Measured at 1.0 MHz and applied reverse voltage of 4.0 Volts DC.
(3) Thermal Resistance junction to case.

Glass Passivated Ultra Fast Recovery Rectifier

COMCHIP
SMD DIODE SPECIALIST

RATINGS AND CHARACTERISTIC CURVES UF8A01-G THRU UF8A05-G

FIG.1 - FORWARD CURRENT DERATING CURVE

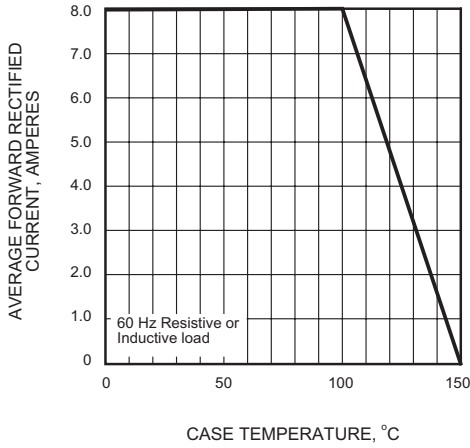


FIG.2 - MAXIMUM NON-REPETITIVE PEAK FORWARD SURGE CURRENT

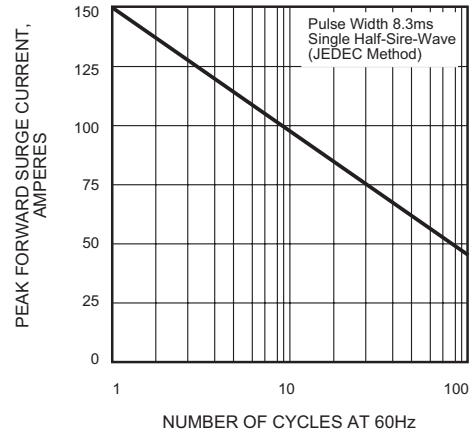


FIG.3 - TYPICAL INSTANTANEOUS FORWARD CHARACTERISTICS

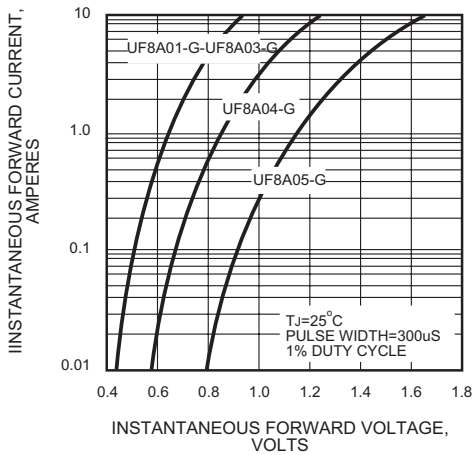


FIG.4 - TYPICAL REVERSE CHARACTERISTICS

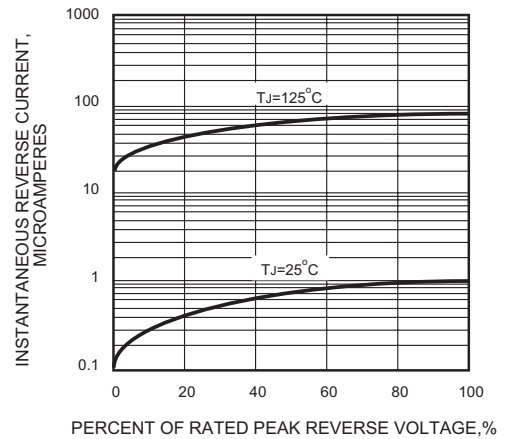


FIG.5 - TYPICAL JUNCTION CAPACITANCE

