

PLEASE CHECK WWW.MOLEX.COM FOR LATEST PART INFORMATION

Part Number: [0050361743](#)
Status: **Active**
Overview: [standard_093](#)
Description: 2.36mm (.093") Diameter, .093" Pin and Socket Plug Housing with Positive Latch, 4 Circuits, Without Mounting Ears, Glow Wire Compatible

Documents:

[3D Model](#) [Product Specification PS-02-09 \(PDF\)](#)
[Drawing \(PDF\)](#) [RoHS Certificate of Compliance \(PDF\)](#)
[Packaging Specification \(PDF\)](#)

General

Product Family	Crimp Housings
Series	1991
Comments	Polarized to Mating Part
Overview	standard_093
Product Name	Standard .093"

Physical

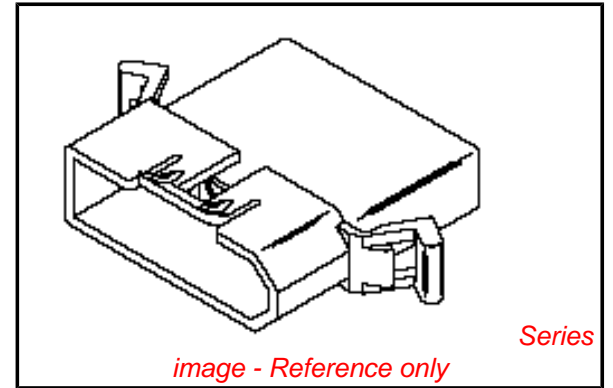
Breakaway	No
Circuits (maximum)	4
Circuits Detail	1x4
Color - Resin	Black
Gender	Plug
Glow-Wire Compliant	Yes
Keying to Mating Part	None
Lock to Mating Part	Yes
Material - Resin	Nylon
Number of Rows	1
Packaging Type	Bag
Panel Mount	Yes
Pitch - Mating Interface (in)	0.248 In
Pitch - Mating Interface (mm)	6.30 mm
Pitch - Term. Interface (in)	0.248 In
Pitch - Term. Interface (mm)	6.30 mm
Polarized to Mating Part	Yes
Ports	1
Stackable	No
Temperature Range - Operating	-40°C to +105°C

Material Info

Old Part Number	1991-4P1-1
-----------------	------------

Reference - Drawing Numbers

Product Specification	PS-02-09
Sales Drawing	SD-1991-4**1



EU RoHS

ELV and RoHS Compliant
REACH SVHC Contains SVHC: No
Halogen-Free Status

China RoHS



Not Reviewed

Need more information on product environmental compliance?

Email productcompliance@molex.com
 For a multiple part number RoHS Certificate of Compliance, [click here](#)

Please visit the [Contact Us](#) section for any non-product compliance questions.

Search Parts in this Series

[1991Series](#)

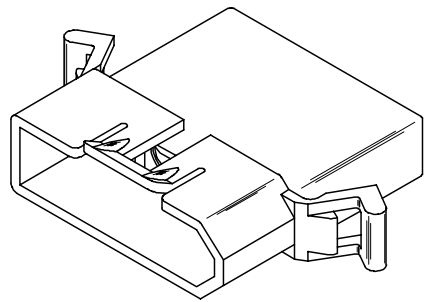
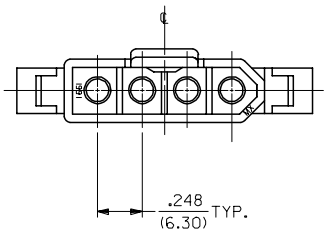
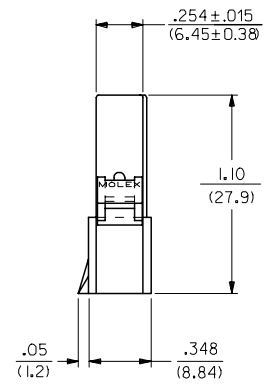
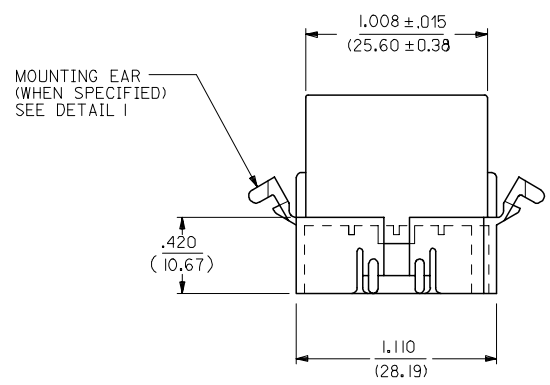
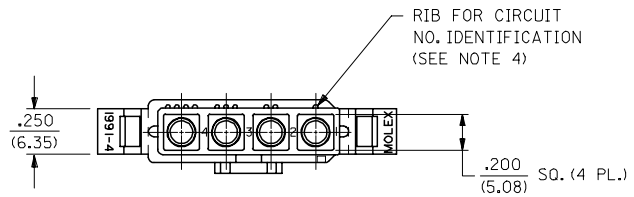
Mates With

[50-36-1691](#) Pin and Socket Receptacle

Use With

[1189](#) Crimp Terminals, [1190](#) Crimp Terminals, [1380](#) Male Crimp Terminals, [1381](#) Female Crimp Terminals, [1433](#) Crimp Terminals, [1434](#) Male Crimp Terminals, [1973](#) , [2151](#) , [2273](#) , [2870](#) , [2871](#) , [4272](#) , [4550](#) , [6271](#) , Lin

PLUG



PLUG HOUSING

3	A
2	A
1	A
SHT.	REV.

INITIAL RELEASE FC NO: UCP2007-2588 DRAWN/PRD'DR 2007/07/26 CHK'D:LS:HM:DT 2007/08/20 APPR:FSM:TH 2007/08/21 REV. DESCRIPTION	QUALITY SYMBOLS	GENERAL TOLERANCES (UNLESS SPECIFIED) 4 PLACES ± .010 ± .010 3 PLACES ± .010 ± .010 2 PLACES ± 0.25 ± .014 1 PLACE ± 0.35 ± .014 ANGULAR ± 1 °	DIMENSION STYLE	SCALE	DESIGN UNITS	THIRD ANGLE PROJECTION
	▽=0 ▽=0		IN/MM	2:1	INCH	
			DRAWN BY DATE AELHAG 2007/06/23 CHECKED BY DATE .SCHMIDT 2007/07/23 APPROVED BY DATE FSM:THROEMER 2007/07/25 MATERIAL NO.	TITLE		
			SEE CHART THIS DRAWING CONTAINS INFORMATION THAT IS PROPRIETARY TO MOLEX INCORPORATED AND SHOULD NOT BE USED WITHOUT WRITTEN PERMISSION	.093/(2.36) HOUSINGS, PLUG AND RECEPTACLE, 4 CKT, .248/(6.30) CTRS. MOLEX INCORPORATED DOCUMENT NO. SD-1991-4**1 SHEET NO. 1 OF 3		

	13	12	11	10	9	8	7	6	5	4	3	2	1
	PLUG			RECEPTACLE									
J	PART NO.	ENG. NO.		PART NO.	ENG. NO.								
	50-36-1743	1991-4P1-1		50-36-1691	1991-4R1-1								
	50-36-1693	1991-4P2-1		50-36-1692	1991-4R2-1								
I													
H													

LEGEND:

1991-4**-*

CIRCUIT SIZE

P = PLUG

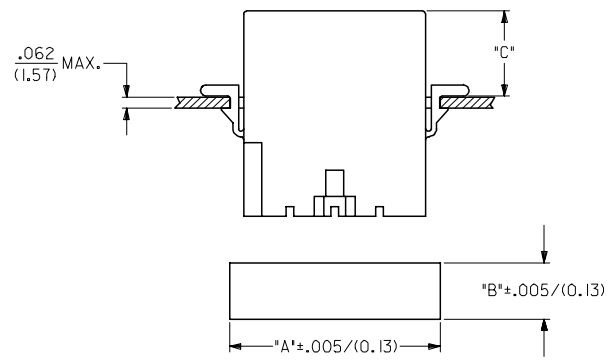
R = RECEPTACLE

1 = WITHOUT EARS

2 = WITH PREBENT EARS, PER DETAIL 3

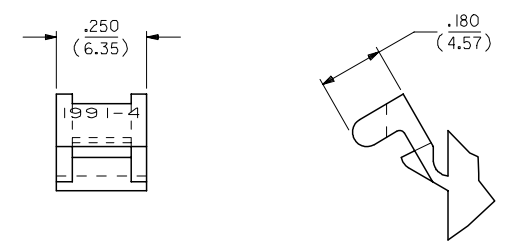
MATERIAL :

1 = CODE B



HOUSING	DIM. "A"	DIM. "B"	DIM. "C" STD. EAR	DIM. "C" PREBENT
PLUG	1.270/(32.26)	.365/(9.27)	.48/(12.2)	.52/(13.2)
RECEPTACLE	1.168/(29.67)	.311/(7.90)	.47/(11.9)	.51/(12.9)

- NOTES:
1. MATERIAL: B: NYLON (PA 6), UL94 V-0, IEC 60335-1, 4TH EDITION GLOW WIRE CAPABLE, COLOR: BLACK
2. FINISH: N/A
3. PRODUCT SPECIFICATION: PS-02-09
4. PACKAGING SPECIFICATION: PK-1991-001
5. ACCEPTS MOLEX .093/(2.36) SERIES TERMINALS.
6. PARTS FROM EARLIER VERSION TOOLS DO NOT HAVE CIRCUIT IDENTIFICATION RIBS
7. PARTS CONFORM TO CLASS B REQUIREMENTS OF COSMETIC SPECIFICATION: PS-45499-002 EXCEPT SINK AND DISCOLORATION MEETS CLASS 'C' REQUIREMENTS.



DETAIL 1
PREBENT MOUNTING EAR
(SCALE 4:1)

INITIAL RELEASE FC NO: UCP2007-2588 DRAWN BY: DER CHKD: LSHMIDT APPR: FSM TH 2007/07/26 2007/08/20 2007/08/21	QUALITY SYMBOLS ▽=0 ▽=0	GENERAL TOLERANCES (UNLESS SPECIFIED)		DIMENSION STYLE IN/MM		SCALE 2:1	DESIGN UNITS INCH	THIRD ANGLE PROJECTION
		4 PLACES ± .010 ± .010 3 PLACES ± .010 ± .010 2 PLACES ± 0.25 ± .014 1 PLACE ± 0.35 ± .014 ANGULAR ± 1 °	DRAWN BY: AELHAG DATE: 2007/06/23 CHECKED BY: SCHMIDT DATE: 2007/07/23 APPROVED BY: FSM TH DATE: 2007/07/25	TITLE .093/(2.36) HOUSINGS, PLUG AND RECEPTACLE, 4 CKT, .248/(6.30) CTRS.		MATERIAL NO. SD-1991-4**1	SHEET NO. 3 OF 3	
DRAFT WHERE APPLICABLE MUST REMAIN WITHIN DIMENSIONS	SEE CHART	THIS DRAWING CONTAINS INFORMATION THAT IS PROPRIETARY TO MOLEX INCORPORATED AND SHOULD NOT BE USED WITHOUT WRITTEN PERMISSION						