



576-750

# Technical Data Sheet

## KOPEX FLEXIBLE NON-METALLIC CONDUIT - COMMERCIAL GRADE

**CONSTRUCTION :**  
 NYLON



**RECOMMENDED CONNECTOR:**  
 KOPEX KF-P

**DIMENSIONS:**

CONDUIT SIZE (mm)  
 ORDERING CODES  
 (\* = B FOR BLACK OR G FOR GREY)

**CONDUIT PITCH**

INSIDE DIAMETER (mm)  
 OUTSIDE DIAMETER (mm)  
 MINIMUM BEND RADIUS (mm)  
 AVERAGE WEIGHT (kg/100m)

**MECHANICAL PROPERTIES:**

CONNECTOR PULL OFF CLASSIFICATION  
 CONDUIT CRUSH CLASSIFICATION

16	20	25	32
EE* 0310	EE* 0410	EE* 0510	EE* 0610
EE* 0330	EE* 0430	EE* 0530	EE* 0630
EE* 0350	EE* 0450	EE* 0550	EE* 0650
FINE (T)	FINE (T)	FINE (T)	FINE (T)
11.5	16.1	22.3	28.4
15.8	21.2	28.5	34.7
20.0	30.0	40.0	45.0
3.5	5.6	9.5	13.0
V.LIGHT	V.LIGHT	V.LIGHT	V.LIGHT
V.LIGHT	V.LIGHT	V.LIGHT	V.LIGHT

40	50
EE* 0710	EE* 0810
EE* 0730	EE* 0830
COARSE (G)	COARSE (G)
35.2	46.9
42.5	54.5
65.0	75.0
15.0	20.0
V.LIGHT	V.LIGHT
V.LIGHT	V.LIGHT

(FOR TEST METHODS AND EXPLANATION OF CLASSIFICATIONS SEE SHEET 810100)

**OTHER PROPERTIES**

RESISTANCE TO FLAME PROPAGATION

IP RATING WITH RECOMMENDED KOPEX KF-P (QUICK CLICK) CONNECTOR

OPERATING TEMPERATURE

APPROVALS

FLAME DIES IN LESS THAN 30 SECONDS AFTER IGNITION SOURCE REMOVED.  
 MATERIAL RATED UL94-HB  
 IP 66 (NO INGRESS OF TALCUM POWDER UNDER VACUUM AND NO INGRESS OF WATER WITH NOZZLE SPRAY FROM 3m).  
 STATIC -40 DEGREES CELSIUS.  
 FLEXING -5 TO +120 DEGREES CELSIUS  
 UL COMPONENT RECOGNISED.

KOPEX PLASTIC FLEXIBLE CONDUIT IS INTENDED TO PROTECT CABLES IN APPLICATIONS WHERE THERE IS REPEATED FLEXING, VIBRATION AND BENDING.

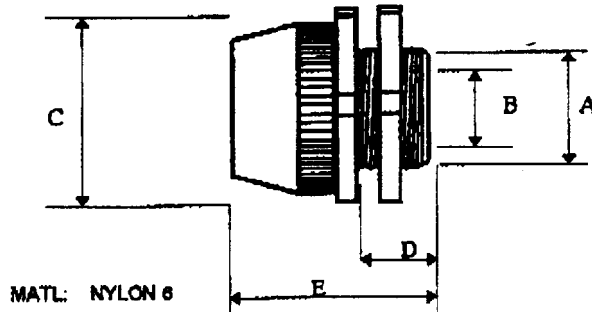
WHEN INSTALLING WIRING SYSTEMS, ADHERE TO THE CURRENT IEE WIRING REGULATIONS (BS7871) IS STRONGLY ADVISED.

THE COMPANY'S POLICY IS ONE OF CONTINUAL IMPROVEMENT AND IT RESERVES THE RIGHT TO CHANGE SPECIFICATIONS AT ANY TIME WITHOUT PRIOR NOTICE.



# Technical Data Sheet

## KF-P STRAIGHT CONNECTORS FOR STANDARD AND MEDIUM DUTY KOPEX FLEXIBLE NON-METALLIC CONDUITS



SUITABLE FOR USE WITH FINE PITCH (T) CONDUIT.

CONDUIT SIZE mm	THREAD TYPE	THREAD SIZE	ORDERING CODE	DIMENSIONS (mm)				
				A	B	C A/F	D	E
10	Pg to DIN 40430	Pg7	YQP 0101	12.5	6.8	22.0	12.0	24.9
12		Pg9	YQP 0202	15.2	7.8	25.0	12.0	34.9
16		Pg11	YQP 0303	18.6	11.5	25.8	12.0	34.9
20		Pg13.5	YQP 0404	20.4	15.0	30.8	12.0	34.9
20		Pg16	YQP 0405	22.5	16.0	30.8	12.0	34.9
25		Pg21	YQP 0506	26.3	22.3	38.6	12.0	36.9
32		Pg29	YQP 0607	37.0	27.0	48.0	12.0	36.9
<b>TO ORDER BLACK Pg STRAIGHT CONNECTORS</b>								
10	Pg to DIN 40430	Pg7	YQPB 0101	12.5	6.8	22.0	12.0	34.9
12		Pg9	YQPB 0202	15.2	7.8	25.0	12.0	34.9
16		Pg11	YQPB 0303	18.6	11.5	25.8	12.0	34.9
20		Pg13.5	YQPB 0404	20.4	15.0	30.8	12.0	34.9
20		Pg16	YQPB 0405	22.5	16.0	30.8	12.0	34.9
25		Pg21	YQPB 0506	26.3	22.3	38.6	12.0	36.9
32		Pg29	YQPB 0607	37.0	27.0	48.0	12.0	36.9
<b>TO ORDER BLACK METRIC STRAIGHT CONNECTORS</b>								
12	Metric to BS6053	12mm	YQM 0202	12.0	7.8	25.0	12.0	34.9
16		16mm	YQM 0303	16.0	11.5	25.8	12.0	34.9
16		20mm	YQM 0304	20.0	15.0	25.8	12.0	34.9
20		20mm	YQM 0404	20.0	15.0	30.8	12.0	34.9
25		25mm	YQM 0505	25.0	20.6	38.6	12.0	36.9
32		32mm	YQM 0606	32.0	27.0	48.0	12.0	36.9
<b>TO ORDER BLACK METRIC STRAIGHT CONNECTORS</b>								
12	Metric to BS6053	12mm	YQMB 0202	12.0	7.8	25.0	12.0	34.9
16		16mm	YQMB 0303	16.0	11.5	25.8	12.0	34.9
16		20mm	YQMB 0304	20.0	15.0	25.8	12.0	34.9
20		20mm	YQMB 0404	20.0	15.0	30.8	12.0	34.9
25		25mm	YQMB 0505	25.0	20.6	38.6	12.0	36.9
32		32mm	YQMB 0606	32.0	27.0	48.0	12.0	36.9

IP RATING WITH KOPEX FLEXIBLE NON-METALLIC CONDUIT  
AND KF-P (QUICK CLICK) CONNECTORS  
OPERATING TEMPERATURE

APPROVALS

FITTING INSTRUCTIONS INCLUDED WITH PRODUCT AND AVAILABLE ON REQUEST - LEAFLET No. 808898

THE COMPANY'S POLICY IS ONE OF CONTINUAL IMPROVEMENT AND IT RESERVES THE RIGHT TO CHANGE SPECIFICATIONS AT ANY TIME  
WITHOUT PRIOR NOTICE.

IP 66 (NO INGRESS OF TALCUM POWDER UNDER VACUUM AND NO INGRESS OF  
WATER WITH NOZZLE SPRAY FROM 3m.  
STATIC -40 DEGREES CELSIUS  
FLEXING -5 TO 120 DEGREES CELSIUS  
UL COMPONENT RECOGNITION