

**TABLE OF CONTENTS**

	<i>Page(s)</i>
<i>GENERAL INFORMATION</i> .....	2
<i>PART NUMBERING SYSTEM</i> .....	3
<i>INTENSITY SELECTION</i> .....	5
<i>ELECTRO/OPTICAL LED CHIP</i>	
<i>OPERATING CURVES</i> .....	4
<i>SINGLE DIGIT DISPLAYS</i> .....	6-23
<i>DOUBLE DIGIT DISPLAYS</i> .....	6-23
<i>THREE DIGIT DISPLAYS</i> .....	6-23
<i>FOUR DIGIT</i> .....	8, 17-18
<i>DOT MATRIX DISPLAYS</i> .....	24-26
<i>SOLDERING LIMITATIONS</i> .....	5
<i>RIGHT ANGLE DISPLAYS</i> .....	27-29

Notes: For extensive technical information on the theory of solid state lighting see Lumex Lites catalog 84-1.

**PROFILE OF LUMEX OPTO/COMPONENTS, INC.**

Lumex, Inc., is a fully integrated international manufacturer and distributor of solid state, incandescent and gas tube opto/components.

Corporate Headquarters along with marketing, R&D, engineering, sales and warehousing are located in Palatine, Illinois (40 miles N.W. of Chicago). Plant locations are in Hsin Tchu Taiwan, Guang Dong China, Palatine IL, and licensees in Japan. LED indicator assembly and part selection are also performed in Palatine.

Each factory site specializes in a family of products unique in technology and manufacturing processes.

State of the art equipment and high levels of research generate a constant flow of new and exciting products.

## Character Size and Order of Listing in Catalog

Products are listed in ascending order based on digit character size. Character size is measured from top to bottom of the lighted segments or the center of the top and bottom dots of matrix displays

## Colors: Emitted, Viewed, Face and Segment

The colors of the display are best determined by design to offer the best contrast ratio between the lighted and unlit area for the face of the display gray. It is also available in red, orange, yellow, and green colors. The off color of the active segments or dots is determined by the color of the epoxy color used to fill the segment reflector cavities. Segments colors are milky white, yellow, red or orange. They can also be green or water clear. The color of the segment or dot when display is powered is determined by the emission wave length of the led chip used. Chips are available in Green (565nm), Yellow (585nm), Orange/Red(625nm) and Super Bright Red (660nm). The lighted segment reflector cavity epoxy must either be neutral or complimentary in color in order for the emitted light to come through the epoxy. These chips when not activated exhibit no color and resemble minute pieces of broken mirror glass.

## Manufacturing Methods and Process

The components that enter into the assembly of numeric, alpha numeric or dot matrix displays are similar. They include a P.C. Board with pins or edge connector traces, a molded reflector that sits on top of the P.C. Board and the epoxy that fills the reflector cavities. These cavities represent the light-pipes for the emitted photons from the chips to travel to the surface. The epoxy with the aid of diffusion pastes and the light pipe cavities captures and bounces all the light to provide segments or dots of uniform brightness. In some cases epoxy is not used. Instead a piece of diffusion tape is placed over the open light-pipe cavities of the reflector and a cover lens is used over it. The color of the cover lens must be neutral or complimentary to the color of the light emitted by the led chip.

## Brightness and color Uniformity

To assure uniformity of color and brightness the chips utilized in the assembly are preselected for intensity and color. As an additional step, Green and Yellow displays are grouped by color wave length in nine categories. See Page (5)

## Intensity Selections

All units are 100 percent tested and graded for brightness, color and uniformity to assure that all segments meet a 1:1.5 intensity ratio so that variations are not detectable by human eye. Bin letter designations from C to Q categorize displays of all colors by light intensity @ 10 mA If in microcandellas. See Page(5)

## Part Numbering System

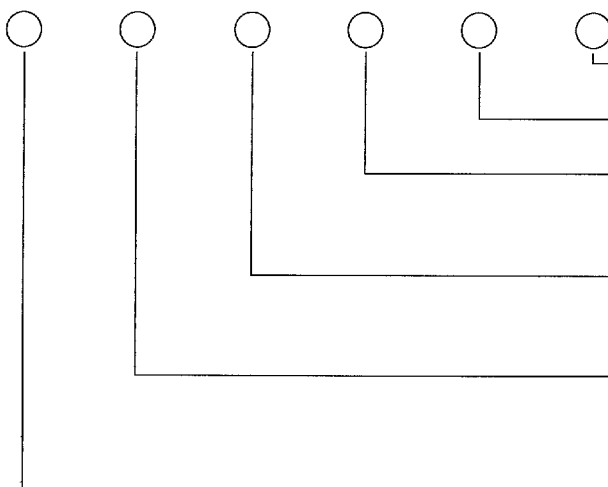
The numbering system for Lumex Digilites is designed to be self-explanatory and to allow for the composition of part numbers for Semi Custom or Custom Devices. The standard Face and Segment Colors in the light-off condition are Grey and White diffused segments. Optional colors are available to match existing suppliers or your design requirements. See Page (3)

## Custom C.O.B. Assemblies

Our core competence is to handle die effectively and place it precisely as close as 0.4mm pitch. We can use any commonly available carriers such as PCB or ceramic, flex boards and lead frames. We package light to suit your needs. See pages (27) and (28) for examples of such items.

**NUMERIC DISPLAYS PART NUMBERING SYSTEM**

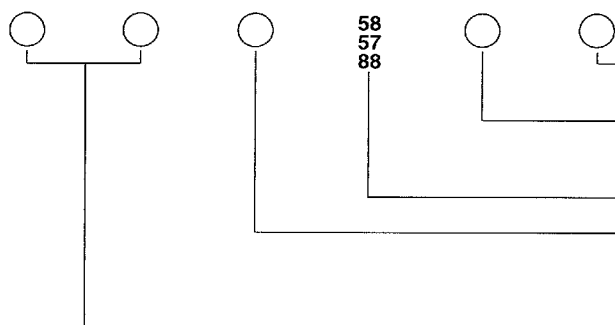
**LD**  
LUMEX  
DISPLAYS



- EPOXY AND SEGMENT COLORS**  
(See list below for options)
- DECIMAL POINT OPTIONS**  
R-Right, L-Left, D-Ltr, N-None B-Both R&L
- EMITTED COLOR** (when display is on)  
1-Red (655 NM), 2-Green (565NM), 3-Yellow 585 (NM)  
4-Ora/Red (630 NM), 5-Hi/Red (695 NM)  
6-Super Red (660 NM GAALAS), 7 - Blue 470 (NM)
- CHARACTER SIZE**  
30-(.30"), 31-(.30"), 32-(.362"), 40-(.40")  
41-(.43"), 50-(.50"), 51-(.56"), 60-(.60")  
80-(.80"), AO-(1.00")
- TYPE OF DRIVING CIRCUIT**  
A-Comm Anode Direct, C-Comm Cath. Direct  
E-Comm Anode Duplex, F-Comm Cath. Duplex  
M-Comm Anode Multx, N-Comm Cath. Duplex  
U-Universal Common
- NUMBER OF DIGITS**  
S-Single, D-Double, T-Three, Q-Four  
F and G overflow types

**DOT MATRIX DISPLAYS PART NUMBERING SYSTEM**

**LDM**  
LUMEX  
MATRIX  
DISPLAYS

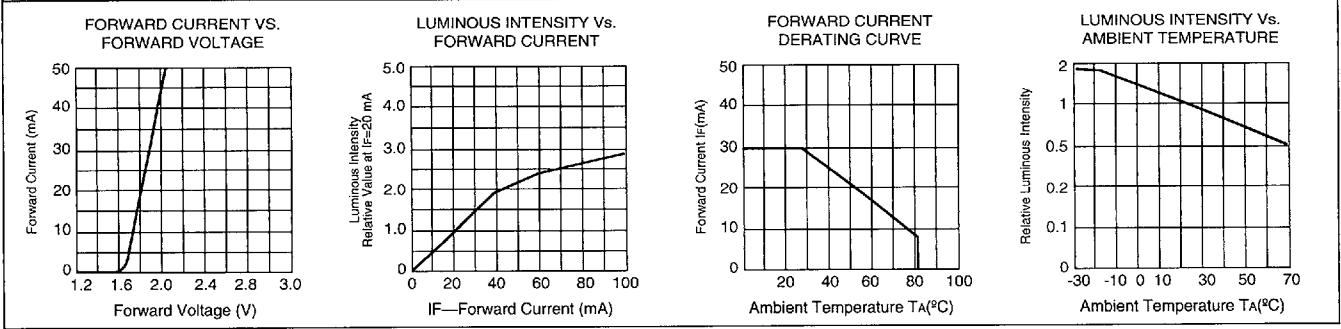


- EPOXY AND SEGMENT COLORS**  
(See listing below for options)
- TYPE OF DRIVING CIRCUIT**  
M-Multiplex Comm Anode  
N-Multiplex Comm Cathode
- STYLE VARIATION DESIGNATIONS** (5x7), (5x8), (8x8)
- EMITTED COLOR** (when display is on)  
1-Red (655 NM), 2-Green (565 NM), 3-Yellow (565 NM)  
4-Ora/Red (630 NM), 5-Hi/Red (695 NM)  
6-Super Red (660 NM GAALAS), 7-Blue (470 NM)
- DISPLAY SIZE**  
03-(.30"), 07-(.70"), 10-(1.16")  
20-(2.0"), 23-(2.3")

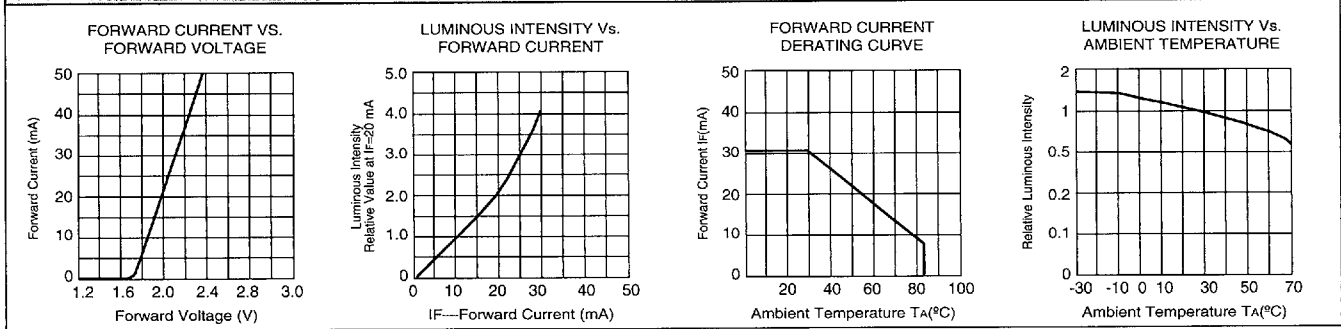
**LAST DIGIT EPOXY AND SEGMENT COLOR CODE**

Code	Font Color	Segment Color	Code	Font Color	Segment Color
D	Black	White	M	Gray	Orange
E	Black	Red	N	Red	White
F	Black	Green	O	Red	Red
G	Black	Yellow	P	Green	White
H	Black	Orange	Q	Green	Green
STANDARD → I	Gray	White ← STANDARD	R	Yellow	White
J	Gray	Red	S	Yellow	Yellow
K	Gray	Green	T	Orange	White
L	Gray	Yellow	U	Orange	Orange

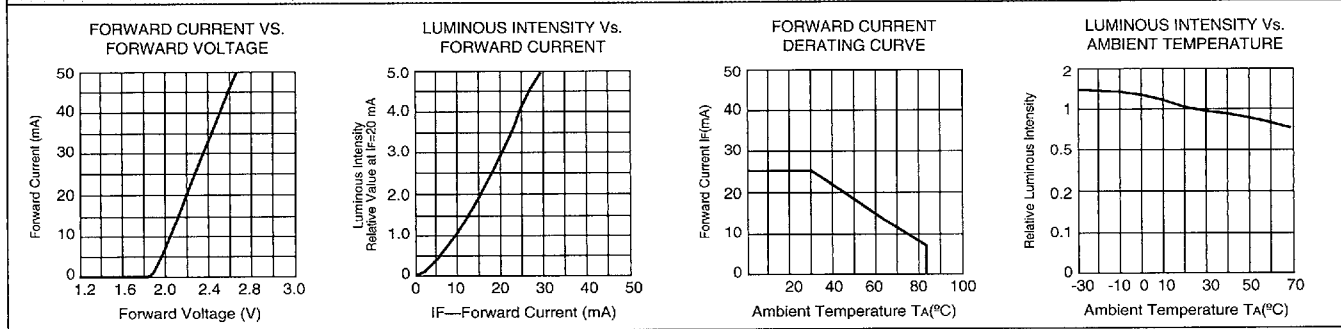
**Super Bright Red** | **GaAlAs** (660nm)



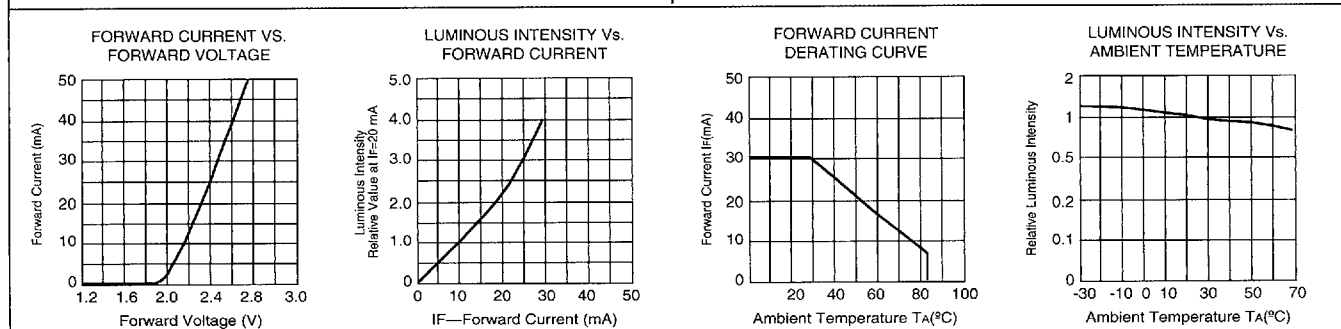
**Red/Orange** | **GaAsP/GaP** (625nm)



**Green** | **GaP** (565nm)



**Yellow** | **GaAsP/GaP** (585nm)



**LIGHT INTENSITY @ 10mA, DISPLAYS**

GROUP	Light intensity in ucd (10mA)		GROUP	Light intensity in ucd (10mA)	
	min.	max.		min.	max.
C	70	140	K	2200	3600
D	140	240	L	3600	5600
E	240	360	M	5600	9000
F	360	M	N	9000	14000
G	560	900	P	14000	21000
H	900	1400	Q	21000	31000
I	1400	2200			

**COLOR SORTING OPTIONS**

GROUP	DOM. WAVELENGTH(nm)			
	GREEN		YELLOW	
	min.	max.	min.	max.
0	556	559		
1	559	561	581	584
2	561	563	584	586
3	563	565	586	588
4	565	567	588	590
5	567	569	590	592
6	569	571	592	594
7	571	573	594	597
8	573	575	597	600

**SOLDERING INSTRUCTIONS**

TYPES	DIP AND WAVE SOLDERING			IRON SOLDERING (WITH 1.5mm IRON TIP)		
	TEMPERATURE OF THE SOLDERING BATH	MAXIMUM SOLDERING TIME	DISTANCE FROM SOLDER JOINT TO CASE	TEMPERATURE OF SOLDERIN IRON	MAXIMUM SOLDERING TIME	DISTANCE FROM SOLDER JOINT TO CASE
LEDS	≤260°C	3s	·2mm	≤260°	3s	·2mm
	≤260°C	5s	·4mm	≤260°	5s	·4mm
DISPLAYS	≤260°C	3s	·2mm	≤260°	3s	·2mm

**CHARACTERISTICS OF LED MATERIAL**

MATERIAL		PRODUCTION METHOD	LIGHT-EMITTING COLOR	LIGHT-EMITTING WAVELENGTH (NM)	EXTERNAL QUANTUM EFFICIENCY Max. (%)	VISUAL SENSITIVITY EFFICIENCY (lm/W)	AXIAL PHOTOMETRIC 05mm LAMP (mcd)
LIGHT-EMITTING LAYER	SUBSTRATE						
GaP (Zn, O)	GaP	Liquid phase epitaxy	Red	700	2	1	30
Ga <sub>0.65</sub> Al <sub>0.35</sub> As	GaAs	Liquid phase epitaxy (SH)	Red	660	2	1	30
Ga <sub>0.65</sub> Al <sub>0.35</sub> As	GaAlAs	Liquid phase epitaxy (DH)	Red	660	21	12	5000
GaAs <sub>0.6</sub> P <sub>0.75</sub>	GaAs	Vapor phase epitaxy+diffusion	Red	660	0.15	0.07	20
GaAs <sub>0.45</sub> P <sub>0.55</sub> (N)	GaP	Vapor phase epitaxy+diffusion	Red	650	0.5	0.35	100
GaAs <sub>0.35</sub> P <sub>0.65</sub> (N)	GaP	Vapor phase epitaxy+diffusion	Red/Orange	630	0.65	1.2	300
GaAs <sub>0.25</sub> P <sub>0.65</sub> (N)	GaP	Vapor phase epitaxy+diffusion	Amber	610	0.6	2	300
GaAs <sub>0.45</sub> P <sub>0.55</sub> (N)	GaP	Vapor phase epitaxy+diffusion	Yellow	590	.25	1.1	200
GaAs <sub>0.1</sub> P <sub>0.9</sub> (N)	GaP	Vapor phase epitaxy+diffusion	Yellow	583	0.2	1.1	200
GaP (N)	GaP	Liquid phase epitaxy	Yellow	570	0.7	4.3	400
GaP (Zn, O)	GaP	Liquid phase epitaxy	Yellow/Green	560	0.3	1.6	250
GaP	GaP	Liquid phase epitaxy	Pure Green	555	0.2	1.36	200
GaN*	a-Al <sub>2</sub> O <sub>3</sub>	Vapor phase epitaxy (MIS)	Blue	490	0.1	0.14	10(10mA)
SiC	SiC	Liquid phase epitaxy	Blue	480	0.04	0.04	12
ZnSe*	ZnSe	Liquid phase epitaxy+diffusion	Blue	480	0.03		2(2mA)
ZnS*	Zns	MOCVD (MIS)	Blue	460	0.01		2(10mA)

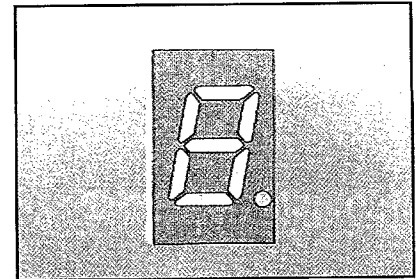
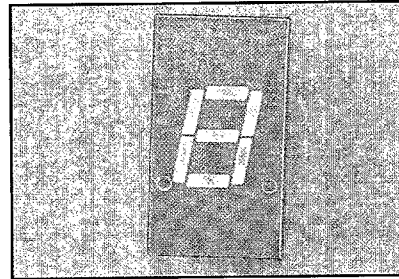
Note: Items marked with an asterisk (\*) have not been put to practical use. The axial photometric value is the value measured at 20mA.

## APPLICATIONS

- Instrument Panels
- Test Equipment
- Meter Displays

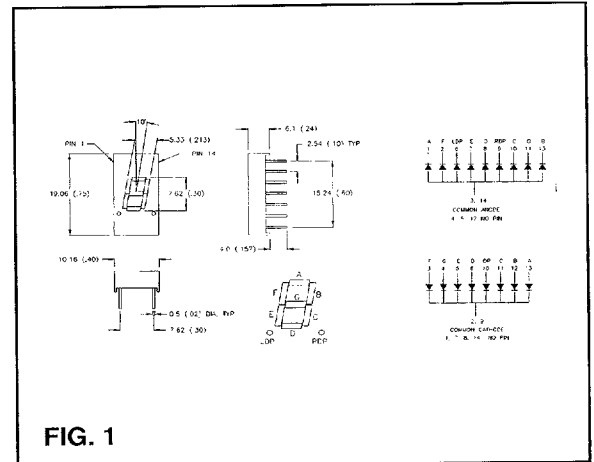
## OPTIONS AVAILABLE

- Right Angle Pins (Tooling Applied)
- Bicolor Red/Green
- Face & Segment Colors
- Graded Groups for Color/Intensity (See Page 5)



## PRODUCT SELECTION

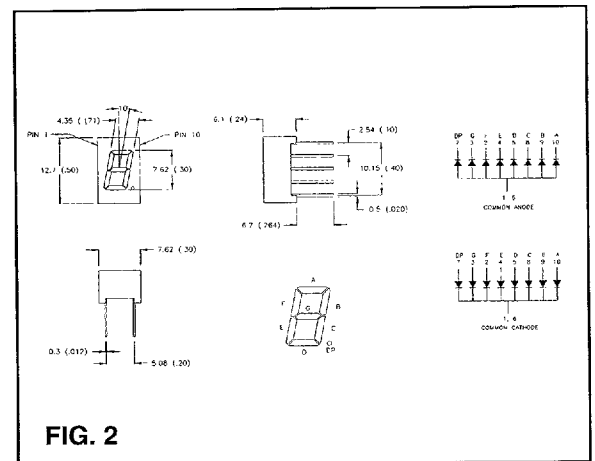
.30" Numeric Display RHD, LHD Optional on C.A.						
Lumex Part Nbr	Ap (mm)	V <sub>F</sub> (V) @10mA(TYP)	Color	Comm Pin	Face Seg	Fig Nbr
LDS-A304RI	625	5000	RED	(+)	Grey White	1
LDS-C304RI	625	5000	RED	(-)	Grey White	1
LDS-A306RI	660	9000	SUP-RED	(+)	Grey White	1
LDS-C306RI	660	9000	SUP-RED	(-)	Grey White	1
LDS-A302RI	565	3000	GREEN	(+)	Grey White	1
LDS-C302RI	565	3000	GREEN	(-)	Grey White	1
LDS-A303RI	585	3000	YELLOW	(+)	Grey White	1
LDS-C303RI	585	3000	YELLOW	(-)	Grey White	1



See Page 27 for Dual and Quad .30" Right Angle Display.

## PRODUCT SELECTION

.30" Numeric Display RHD, Seven Segment						
Lumex Part Nbr	Ap (mm)	V <sub>F</sub> (V) @10mA(TYP)	Color	Comm Pin	Face Seg	Fig Nbr
LDS-A354RI	625	5000	RED	(+)	Grey White	2
LDS-C354RI	625	5000	RED	(-)	Grey White	2
LDS-A356RI	660	9000	SUP-RED	(+)	Grey White	2
LDS-C356RI	660	9000	SUP-RED	(-)	Grey White	2
LDS-A352RI	565	3000	GREEN	(+)	Grey White	2
LDS-C352RI	565	3000	GREEN	(-)	Grey White	2
LDS-A353RI	585	3000	YELLOW	(+)	Grey White	2
LDS-C353RI	585	3000	YELLOW	(-)	Grey White	2



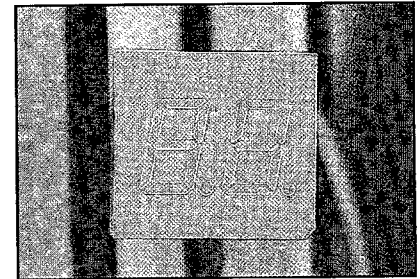
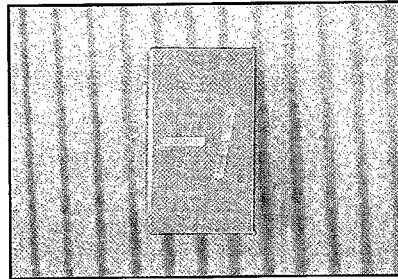
See Page 27 for Dual and Quad .30" Right Angle Display.

## APPLICATIONS

- Instrument Panels
- Test Equipment
- Meter Displays

## OPTIONS AVAILABLE

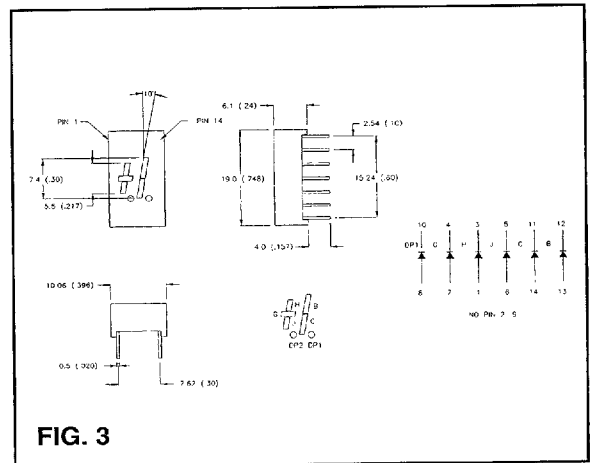
- Right Angle Pins (Tooling Applied)
- Bicolor Red/Green
- Face & Segment Colors
- Graded Groups for Color/Intensity (See Page 5)



## PRODUCT SELECTION

.30" Overflow Display						
Lumex Part Nbr	Ap (mm)	Iv (Cd @10mA(TYP))	Color	Comm Pin	Face Seg	Fig Nbr
LDF-U3004RI	625	5000	RED	UNIV	Grey White	3
LDF-U3006RI	660	9000	SUP-RED	UNIV	Grey White	3
LDF-U3002RI	565	3000	GREEN	UNIV	Grey White	3
LDF-U3003RI	585	3000	YELLOW	UNIV	Grey White	3

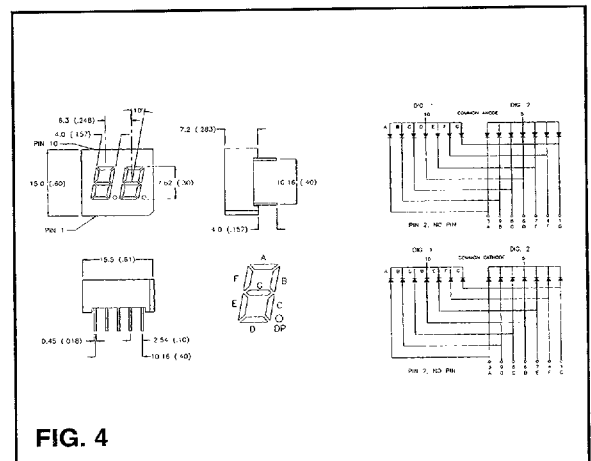
See Page 27 for Dual and Quad .30" Right Angle Display.



## PRODUCT SELECTION

.30" Dual Digit Numeric Display, RHD						
Lumex Part Nbr	Ap (mm)	Iv (Cd @10mA(TYP))	Color	Comm Pin	Face Seg	Fig Nbr
LDD-E304NI	625	5000	RED	(+)	Grey White	4
LDD-F304NI	625	5000	RED	(-)	Grey White	4
LDD-E306NI	660	9000	SUP-RED	(+)	Grey White	4
LDD-F306NI	660	9000	SUP-RED	(-)	Grey White	4
LDD-E302NI	565	3000	GREEN	(+)	Grey White	4
LDD-F302NI	565	3000	GREEN	(-)	Grey White	4
LDD-E303NI	585	3000	YELLOW	(+)	Grey White	4
LDD-F303NI	585	3000	YELLOW	(-)	Grey White	4

See Page 27 for Dual and Quad .30" Right Angle Display.



1-800-278-5666



www.lumex.com



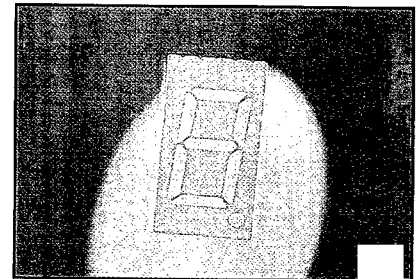
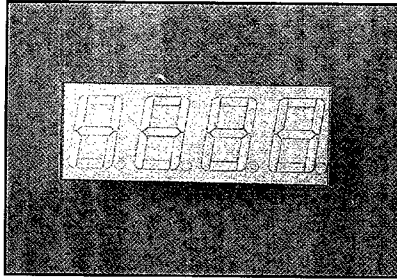
1-800-944-2790

**APPLICATIONS**

- Instrument Panels
- Test Equipment
- Meter Displays

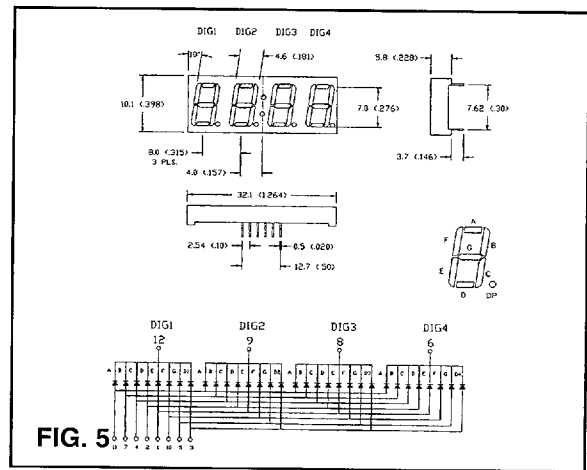
**OPTIONS AVAILABLE**

- Right Angle Pins (Tooling Applied)
- Bicolor Red/Green
- Face & Segment Colors
- Graded Groups for Color/Intensity (See Page 5)



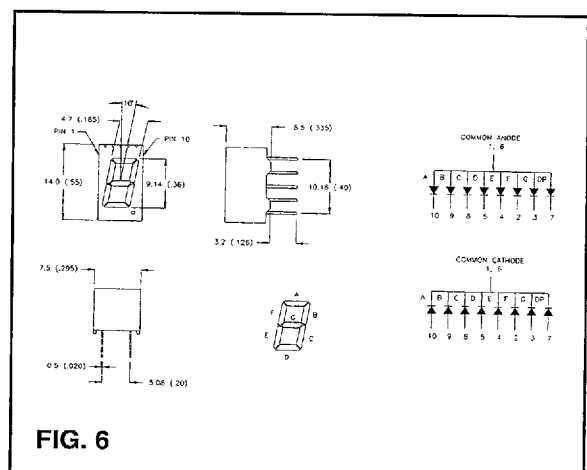
**PRODUCT SELECTION**

<b>.28" Quad Numeric Display, Multiplex, RHD</b>						
Lumex Part Nbr	λp (nm)	Iv μCd @10mA(TYP)	Color	Comm Pin	Face Seg	Fig Nbr
LDQ-M284RI	625	5000	RED	(+)	Grey White	5
LDQ-M286RI	660	9000	SUP-RED	(+)	Grey White	5
LDQ-M282RI	565	3000	GREEN	(+)	Grey White	5
LDQ-M283RI	585	3000	YELLOW	(+)	Grey White	5



**PRODUCT SELECTION**

<b>.36" Numeric Display, RHD</b>						
Lumex Part Nbr	λp (nm)	Iv μCd @10mA(TYP)	Color	Comm Pin	Face Seg	Fig Nbr
LDS-A324RI	625	5000	RED	(+)	Grey White	6
LDS-C324RI	625	5000	RED	(-)	Grey White	6
LDS-A326RI	660	9000	SUP-RED	(+)	Grey White	6
LDS-C326RI	660	9000	SUP-RED	(-)	Grey White	6
LDS-A322RI	565	3000	GREEN	(+)	Grey White	6
LDS-C322RI	565	3000	GREEN	(-)	Grey White	6
LDS-A323RI	585	3000	YELLOW	(+)	Grey White	6
LDS-C323RI	585	3000	YELLOW	(-)	Grey White	6



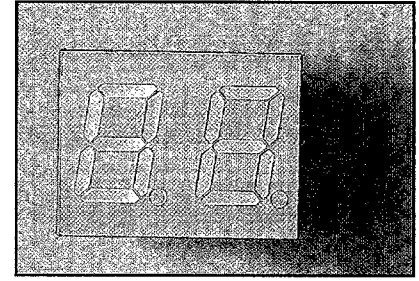
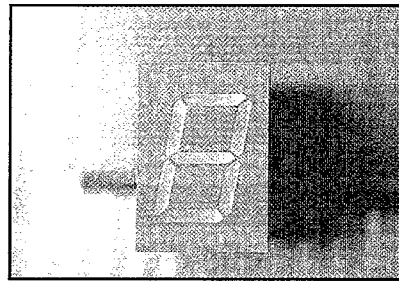


## APPLICATIONS

- Instrument Panels
- Test Equipment
- Meter Displays

## OPTIONS AVAILABLE

- Right Angle Pins (Tooling Applied)
- Bicolor Red/Green
- Face & Segment Colors
- Graded Groups for Color/Intensity (See Page 5)



## PRODUCT SELECTION

.39" Numeric Displays, RHD						
Lumex Part Nbr	A.P. (mm)	V <sub>L</sub> (Cd @10mA(TYP))	Color	Comm Pin	Face Seg	Fig Nbr
LDS-A3914RI	625	5000	RED	(+)	Grey White	7
LDS-C3914RI	625	5000	RED	(-)	Grey White	7
LDS-A3916RI	660	9000	SUP-RED	(+)	Grey White	7
LDS-C3916RI	660	9000	SUP-RED	(-)	Grey White	7
LDS-A3912RI	565	3000	GREEN	(+)	Grey White	7
LDS-C3912RI	565	3000	GREEN	(-)	Grey White	7
LDS-A3913RI	585	3000	YELLOW	(+)	Grey White	7
LDS-C3913RI	585	3000	YELLOW	(-)	Grey White	7

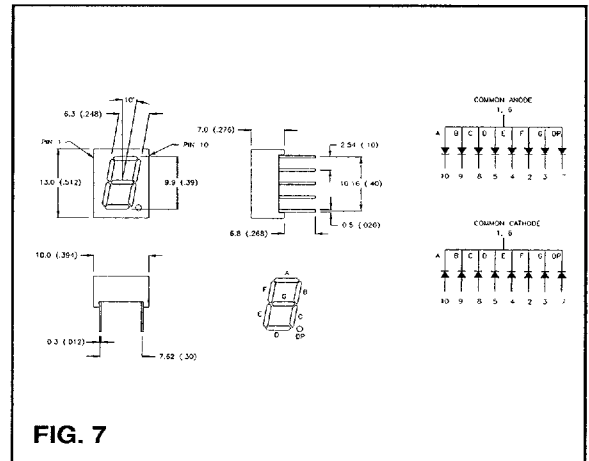


FIG. 7

## PRODUCT SELECTION

.39" Dual Numeric Displays						
Lumex Part Nbr	A.P. (mm)	V <sub>L</sub> (Cd @10mA(TYP))	Color	Comm Pin	Face Seg	Fig Nbr
LDD-A404NI	625	5000	RED	(+)	Grey White	8
LDD-C404NI	625	5000	RED	(-)	Grey White	8
LDD-A406NI	660	9000	SUP-RED	(+)	Grey White	8
LDD-C406NI	660	9000	SUP-RED	(-)	Grey White	8
LDD-A402NI	565	3000	GREEN	(+)	Grey White	8
LDD-C402NI	565	3000	GREEN	(-)	Grey White	8
LDD-A403NI	585	3000	RED	(+)	Grey White	8
LDD-C403NI	585	3000	RED	(-)	Grey White	8

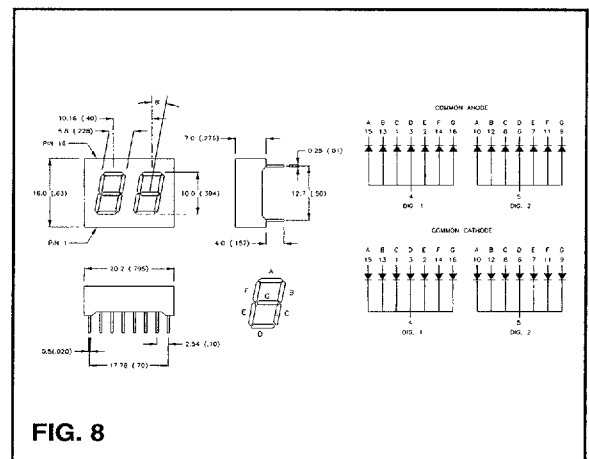


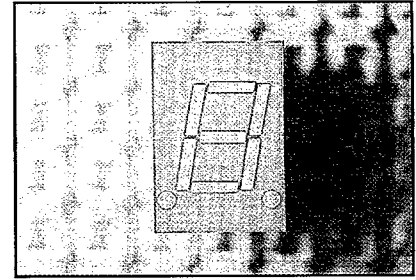
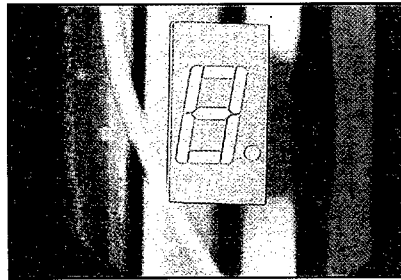
FIG. 8

## APPLICATIONS

- Instrument Panels
- Test Equipment
- Meter Displays

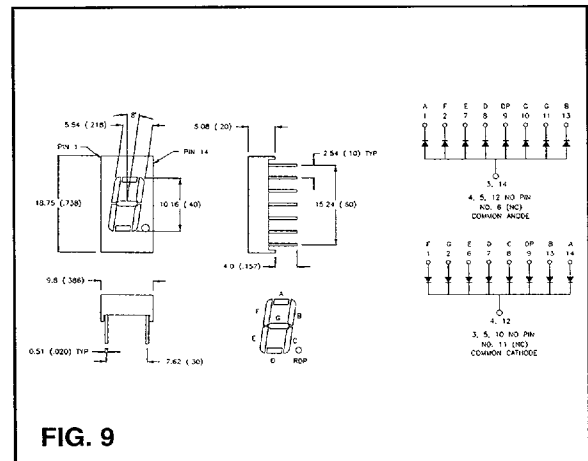
## OPTIONS AVAILABLE

- Right Angle Pins (Tooling Applied)
- Bicolor Red/Green
- Face & Segment Colors
- Graded Groups for Color/Intensity (See Page 5)



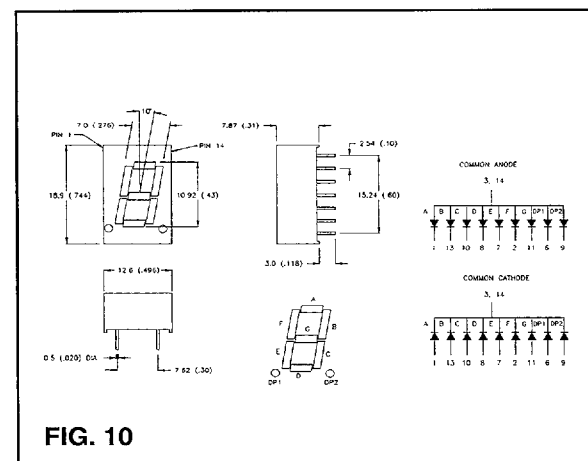
## PRODUCT SELECTION

.40" Numeric Displays, RHD							
Lumex Part Nbr	$\lambda_p$ (nm)	$I_v$ (Cd @10mA(TYP))	Color	Comm Pin	Face Seg	Fig Nbr	
LDS-A404RI	625	5000	RED	(+)	Grey White	9	
LDS-C404RI	625	5000	RED	(-)	Grey White	9	
LDS-A406RI	660	9000	SUP-RED	(+)	Grey White	9	
LDS-C406RI	660	9000	SUP-RED	(-)	Grey White	9	
LDS-A402RI	565	3000	GREEN	(+)	Grey White	9	
LDS-C402RI	565	3000	GREEN	(-)	Grey White	9	
LDS-A403RI	585	3000	YELLOW	(+)	Grey White	9	
LDS-C403RI	585	3000	YELLOW	(-)	Grey White	9	



## PRODUCT SELECTION

.43" Numeric Display Both R and L D.P.							
Lumex Part Nbr	$\lambda_p$ (nm)	$I_v$ (Cd @10mA(TYP))	Color	Comm Pin	Face Seg	Fig Nbr	
LDS-A414BI	625	4500	RED	(+)	Grey White	10	
LDS-C414BI	625	4500	RED	(-)	Grey White	10	
LDS-A416BI	660	8400	SUP-RED	(+)	Grey White	10	
LDS-C416BI	660	8400	SUP-RED	(-)	Grey White	10	
LDS-A412BI	565	2700	GREEN	(+)	Grey White	10	
LDS-C412BI	565	2700	GREEN	(-)	Grey White	10	
LDS-A413BI	585	2600	YELLOW	(+)	Grey White	10	
LDS-C413BI	585	2600	YELLOW	(-)	Grey White	10	

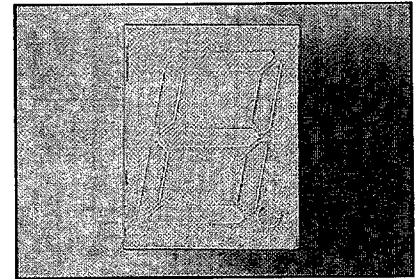
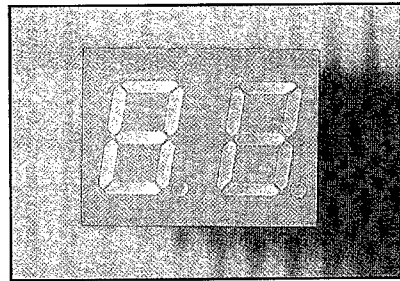


APPLICATIONS

- Instrument Panels
- Test Equipment
- Meter Displays

OPTIONS AVAILABLE

- Right Angle Pins (Tooling Applied)
- Bicolor Red/Green
- Face & Segment Colors
- Graded Groups for Color/Intensity (See Page 5)



PRODUCT SELECTION

<b>.43" Dual Numeric Display, RHD</b>						
Lumex Part Nbr	Ap (mm)	Iv, Icd @10mA(TYP)	Color	Comm Pin	Face Seg	Fig Nbr
LDD-A4304RI	625	4500	RED	(+)	Grey White	11
LDD-C4304RI	625	4500	RED	(-)	Grey White	11
LDD-A4306RI	660	8800	SUP-RED	(+)	Grey White	11
LDD-C4306RI	660	8800	SUP-RED	(-)	Grey White	11
LDD-A4302RI	565	2700	GREEN	(+)	Grey White	11
LDD-C4302RI	565	2700	GREEN	(-)	Grey White	11
LDD-A4303RI	585	2600	YELLOW	(+)	Grey White	11
LDD-C4303RI	585	2600	YELLOW	(-)	Grey White	11

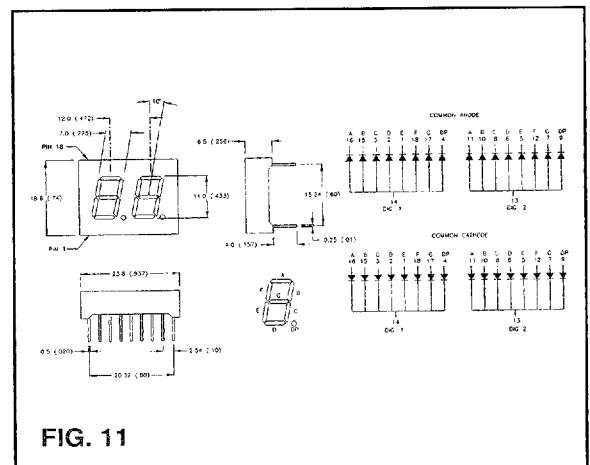


FIG. 11

PRODUCT SELECTION

<b>.50" Numeric Display RHD</b>						
Lumex Part Nbr	Ap (mm)	Iv, Icd @10mA(TYP)	Color	Comm Pin	Face Seg	Fig Nbr
LDS-A504RI	625	4000	RED	(+)	Grey White	12
LDS-C504RI	625	4000	RED	(-)	Grey White	12
LDS-A506RI	660	12000	SUP-RED	(+)	Grey White	12
LDS-C506RI	660	12000	SUP-RED	(-)	Grey White	12
LDS-A502RI	565	3500	GREEN	(+)	Grey White	12
LDS-C502RI	565	3500	GREEN	(-)	Grey White	12
LDS-A503RI	585	3500	YELLOW	(+)	Grey White	12
LDS-C503RI	585	3500	YELLOW	(-)	Grey White	12

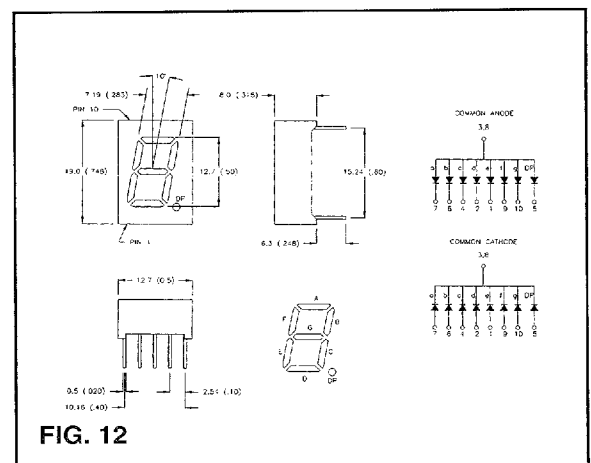


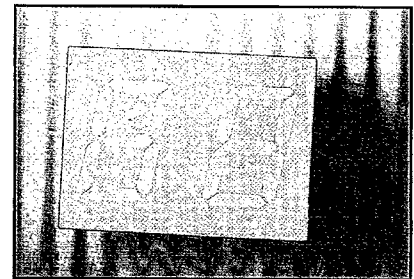
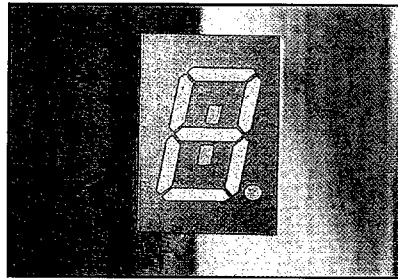
FIG. 12

## APPLICATIONS

- Instrument Panels
- Test Equipment
- Meter Displays

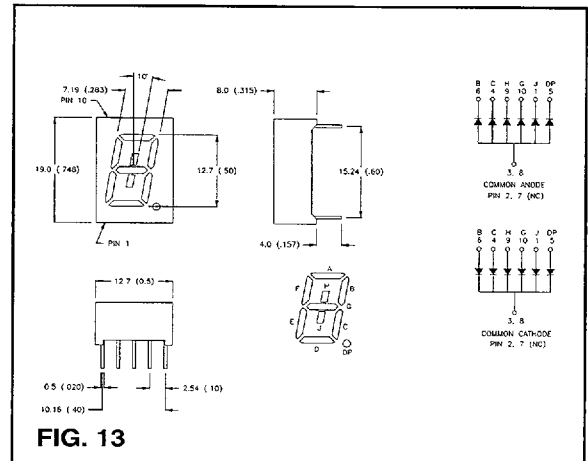
## OPTIONS AVAILABLE

- Right Angle Pins (Tooling Applied)
- Bicolor Red/Green
- Face & Segment Colors
- Graded Groups for Color/Intensity (See Page 5)



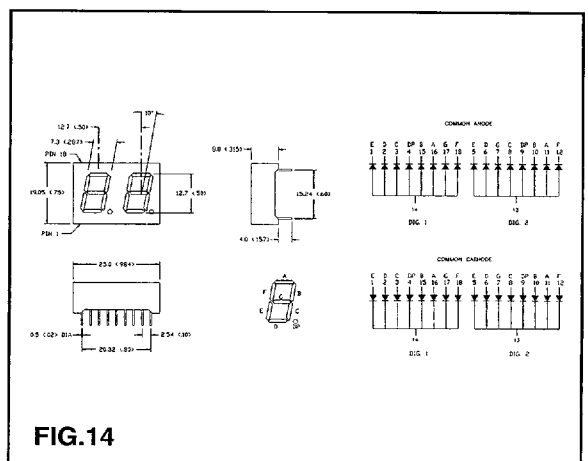
## PRODUCT SELECTION

<b>.50" Numeric Overflow, RHD</b>						
Lumex Part Nbr	$\lambda_p$ (nm)	Iv $\mu$ Cd @10mA(TYP)	Color	Comm Pin	Face Seg	Fig Nbr
LDF-A5004RI	625	4000	RED	(+)	Grey White	13
LDF-C5004RI	625	4000	RED	(-)	Grey White	13
LDF-A5006RI	660	12000	SUP-RED	(+)	Grey White	13
LDF-C5006RI	660	12000	SUP-RED	(-)	Grey White	13
LDF-A5002RI	565	3500	GREEN	(+)	Grey White	13
LDF-C5002RI	565	3500	GREEN	(-)	Grey White	13
LDF-A5003RI	585	3500	YELLOW	(+)	Grey White	13
LDF-C5003RI	585	3500	YELLOW	(-)	Grey White	13



## PRODUCT SELECTION

<b>.50" Dual Numeric Display, RHD</b>						
Lumex Part Nbr	$\lambda_p$ (nm)	Iv $\mu$ Cd @10mA(TYP)	Color	Comm Pin	Face Seg	Fig Nbr
LDD-A5004RI	625	4000	RED	(+)	Grey White	14
LDD-C5004RI	625	4000	RED	(-)	Grey White	14
LDD-A5006RI	660	12000	SUP-RED	(+)	Grey White	14
LDD-C5006RI	660	12000	SUP-RED	(-)	Grey White	14
LDD-A5002RI	565	3500	GREEN	(+)	Grey White	14
LDD-C5002RI	565	3500	GREEN	(-)	Grey White	14
LDD-A5003RI	585	3500	YELLOW	(+)	Grey White	14
LDD-C5003RI	585	3500	YELLOW	(-)	Grey White	14

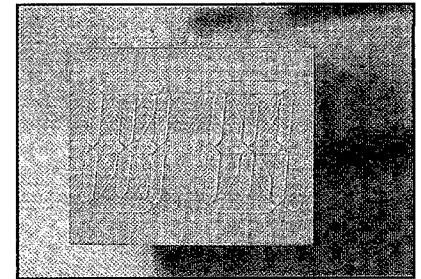
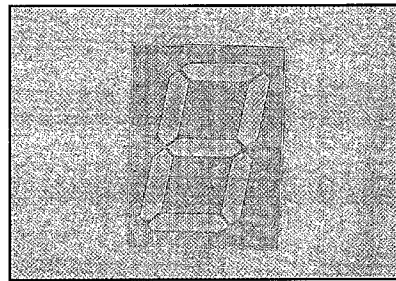


APPLICATIONS

- Instrument Panels
- Test Equipment
- Meter Displays

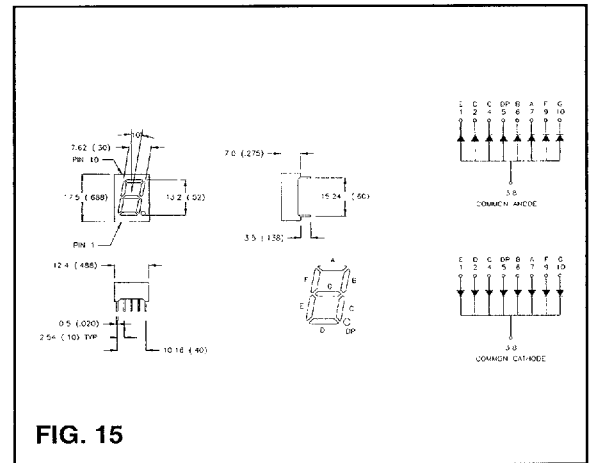
OPTIONS AVAILABLE

- Right Angle Pins (Tooling Applied)
- Bicolor Red/Green
- Face & Segment Colors
- Graded Groups for Color/Intensity (See Page 5)



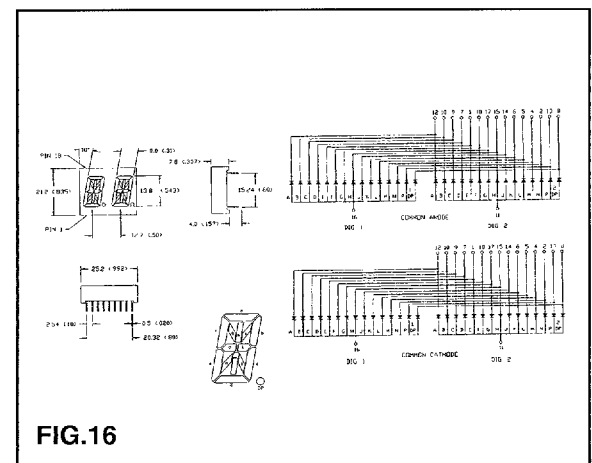
PRODUCT SELECTION

.52" Numeric Display, RHD						
Lumex Part Nbr	$\lambda_p$ (nm)	$I_v$ (Cd) @10mA(TYP)	Color	Comm Pin	Face Seg	Fig Nbr
LDS-A5204RI	625	4000	RED	(+)	Grey White	15
LDS-C5204RI	625	4000	RED	(-)	Grey White	15
LDS-A5206RI	660	12000	SUP-RED	(+)	Grey White	15
LDS-C5206RI	660	12000	SUP-RED	(-)	Grey White	15
LDS-A5202RI	565	3500	GREEN	(+)	Grey White	15
LDS-C5202RI	565	3500	GREEN	(-)	Grey White	15
LDS-A5203RI	585	3500	YELLOW	(+)	Grey White	15
LDS-C5203RI	585	3500	YELLOW	(-)	Grey White	15



PRODUCT SELECTION

.54" Dual Alpha Numeric Display, RHD Duplex Drive						
Lumex Part Nbr	$\lambda_p$ (nm)	$I_v$ (Cd) @10mA(TYP)	Color	Comm Pin	Face Seg	Fig Nbr
LDD-E5404RI	625	3500	RED	(+)	Grey White	16
LDD-F5404RI	625	3500	RED	(-)	Grey White	16
LDD-E5406RI	660	11000	SUP-RED	(+)	Grey White	16
LDD-F5406RI	660	11000	SUP-RED	(-)	Grey White	16
LDD-E5402RI	565	3000	GREEN	(+)	Grey White	16
LDD-F5402RI	565	3000	GREEN	(-)	Grey White	16
LDD-E5403RI	585	3000	YELLOW	(+)	Grey White	16
LDD-F5403RI	585	3000	YELLOW	(-)	Grey White	16

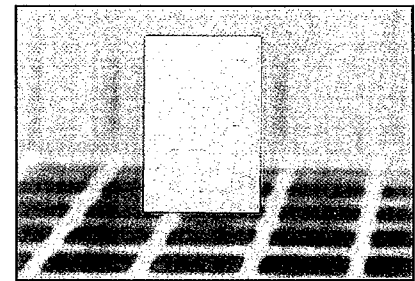
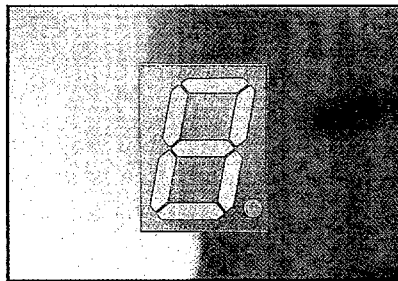


## APPLICATIONS

- Instrument Panels
- Test Equipment
- Meter Displays

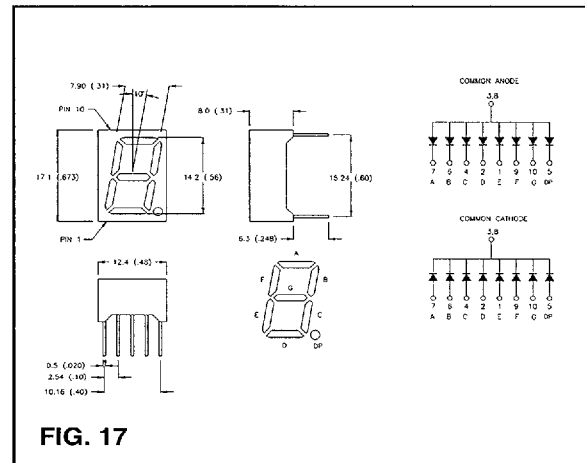
## OPTIONS AVAILABLE

- Right Angle Pins (Tooling Applied)
- Bicolor Red/Green
- Face & Segment Colors
- Graded Groups for Color/Intensity (See Page 5)



## PRODUCT SELECTION

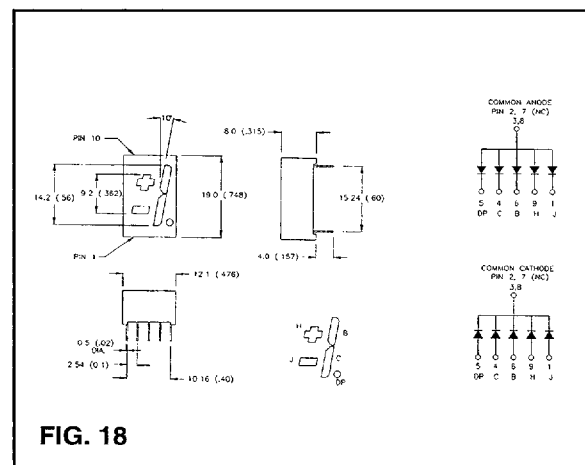
<b>.56" Numeric Display, RHD</b>						
Lumex Part Nbr	$\lambda_p$ (nm)	Iv, $\mu$ Cd @10mA(TYP)	Color	Comm Pin	Face Seg	Fig Nbr
LDS-A5644RI	625	4000	RED	(+)	Grey White	17
LDS-C5644RI	625	4000	RED	(-)	Grey White	17
LDS-A5646RI	660	12000	SUP-RED	(+)	Grey White	17
LDS-C5646RI	660	12000	SUP-RED	(-)	Grey White	17
LDS-A5642RI	565	3500	GREEN	(+)	Grey White	17
LDS-C5642RI	565	3500	GREEN	(-)	Grey White	17
LDS-A5643RI	585	3500	YELLOW	(+)	Grey White	17
LDS-C5643RI	585	3500	YELLOW	(-)	Grey White	17



See Pages 27 & 28 for Right Angle .56" Displays.

## PRODUCT SELECTION

<b>.56" Overflow Numeric Display, RHD</b>						
Lumex Part Nbr	$\lambda_p$ (nm)	Iv, $\mu$ Cd @10mA(TYP)	Color	Comm Pin	Face Seg	Fig Nbr
LDF-A5614RI	625	4000	RED	(+)	Grey White	18
LDF-C5614RI	625	4000	RED	(-)	Grey White	18
LDF-A5616RI	660	12000	SUP-RED	(+)	Grey White	18
LDF-C5616RI	660	12000	SUP-RED	(-)	Grey White	18
LDF-A5612RI	565	3500	GREEN	(+)	Grey White	18
LDF-C5612RI	565	3500	GREEN	(-)	Grey White	18
LDF-A5613RI	585	3500	YELLOW	(+)	Grey White	18
LDF-C5613RI	585	3500	YELLOW	(-)	Grey White	18



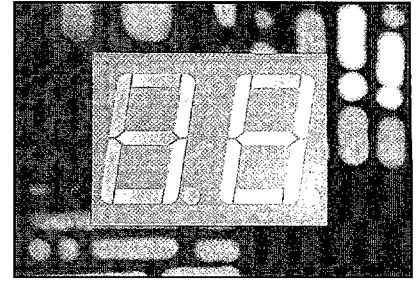
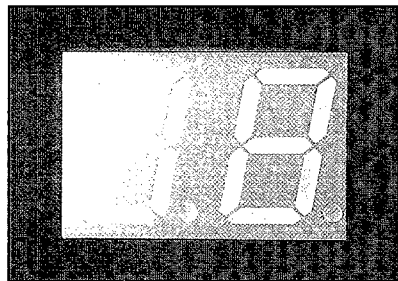


APPLICATIONS

- Instrument Panels
- Test Equipment
- Meter Displays

OPTIONS AVAILABLE

- Right Angle Pins (Tooling Applied)
- Bicolor Red/Green
- Face & Segment Colors
- Graded Groups for Color/Intensity (See Page 5)



PRODUCT SELECTION

<b>.56" Dual Numeric Display, RHD</b>						
Lumex Part Nbr	AP (mm)	Iv, Icd @10mA(TYP)	Color	Comm Pin	Face Seg	Fig Nbr
LDD-A5644RI	625	4000	RED	(+)	Grey White	19
LDD-C5644RI	625	4000	RED	(-)	Grey White	19
LDD-A5646RI	660	12000	SUP-RED	(+)	Grey White	19
LDD-C5646RI	660	12000	SUP-RED	(-)	Grey White	19
LDD-A5642RI	565	3500	GREEN	(+)	Grey White	19
LDD-C5642RI	565	3500	GREEN	(-)	Grey White	19
LDD-A5643RI	585	3500	YELLOW	(+)	Grey White	19
LDD-C5643RI	585	3500	YELLOW	(-)	Grey White	19

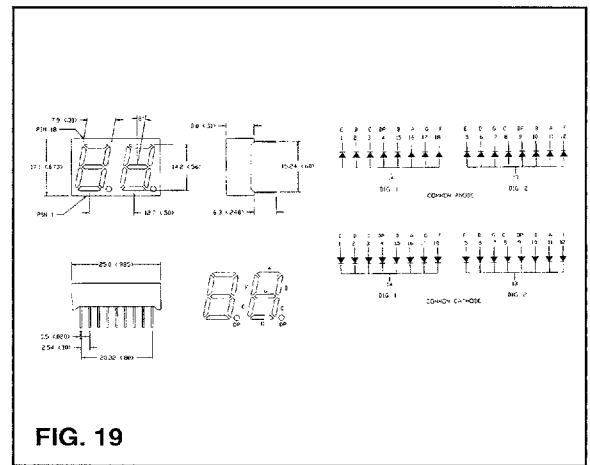


FIG. 19

See Page 28 for Right Angle Dual .56" Displays.

PRODUCT SELECTION

<b>.56" Dual Numeric Display, RHD Rounded Segments</b>						
Lumex Part Nbr	AP (mm)	Iv, Icd @10mA(TYP)	Color	Comm Pin	Face Seg	Fig Nbr
LDD-A514RI	625	4000	RED	(+)	Grey White	20
LDD-C514RI	625	4000	RED	(-)	Grey White	20
LDD-A516RI	660	12000	SUP-RED	(+)	Grey White	20
LDD-C516RI	660	12000	SUP-RED	(-)	Grey White	20
LDD-A512RI	565	3500	GREEN	(+)	Grey White	20
LDD-C512RI	565	3500	GREEN	(-)	Grey White	20
LDD-A513RI	585	3500	YELLOW	(+)	Grey White	20
LDD-C513RI	585	3500	YELLOW	(-)	Grey White	20

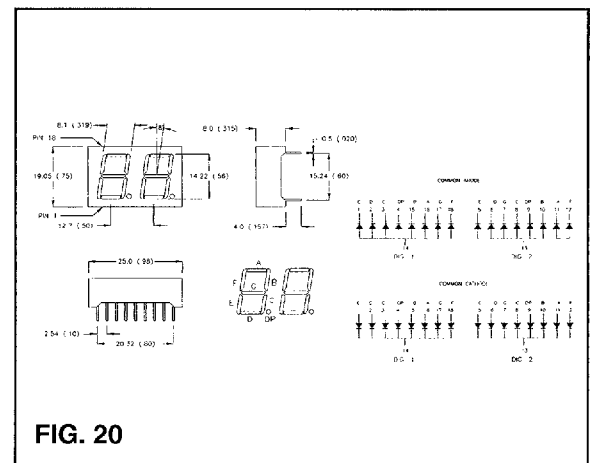


FIG. 20

See Page 28 for Right Angle Dual .56" Displays.



1-800-278-5666



www.lumex.com



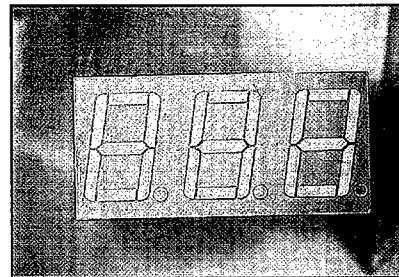
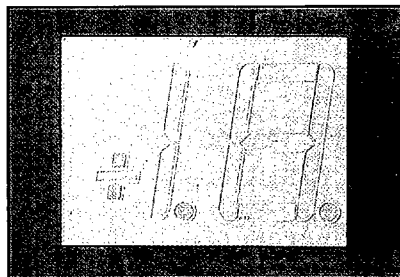
1-800-944-2790

## APPLICATIONS

- Instrument Panels
- Test Equipment
- Meter Displays

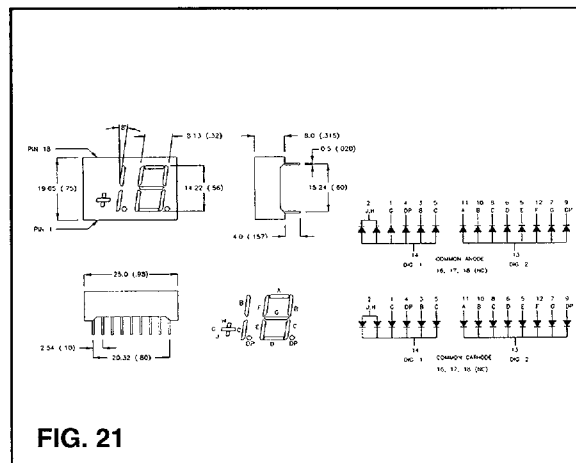
## OPTIONS AVAILABLE

- Right Angle Pins (Tooling Applied)
- Bicolor Red/Green
- Face & Segment Colors
- Graded Groups for Color/Intensity (See Page 5)



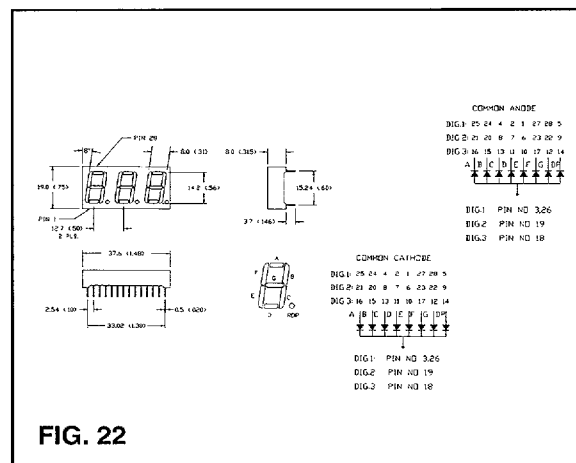
## PRODUCT SELECTION

<b>.56" Overflow Numeric Displays, RHD</b>						
Lumex Part Nbr	$\lambda_p$ (nm)	Iv, $\mu\text{Cd}$ @10mA(TYP)	Color	Comm Pin	Face Seg	Fig Nbr
LDG-A5614RI	625	4000	RED (+)	Grey White	21	
LDG-C5614RI	625	4000	RED (-)	Grey White	21	
LDG-A5616RI	660	12000	SUP-RED (+)	Grey White	21	
LDG-C5616RI	660	12000	SUP-RED (-)	Grey White	21	
LDG-A5612RI	565	3500	GREEN (+)	Grey White	21	
LDG-C5612RI	565	3500	GREEN (-)	Grey White	21	
LDG-A5613RI	585	3500	YELLOW (+)	Grey White	21	
LDG-C5613RI	585	3500	YELLOW (-)	Grey White	21	



## PRODUCT SELECTION

<b>.56" Triple Numeric Display, RHD Direct Drive</b>						
Lumex Part Nbr	$\lambda_p$ (nm)	Iv, $\mu\text{Cd}$ @10mA(TYP)	Color	Comm Pin	Face Seg	Fig Nbr
LDT-A514RI	625	4000	RED (+)	Grey White	22	
LDT-C514RI	625	4000	RED (-)	Grey White	22	
LDT-A516RI	660	12000	SUP-RED (+)	Grey White	22	
LDT-C516RI	660	12000	SUP-RED (-)	Grey White	22	
LDT-A512RI	565	3500	GREEN (+)	Grey White	22	
LDT-C512RI	565	3500	GREEN (-)	Grey White	22	
LDT-A513RI	585	3500	YELLOW (+)	Grey White	22	
LDT-C513RI	585	3500	YELLOW (-)	Grey White	22	



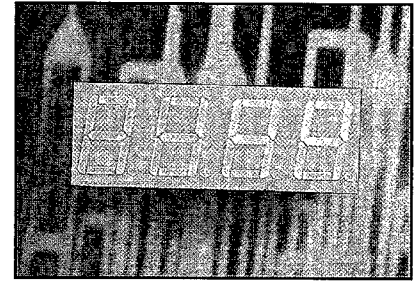
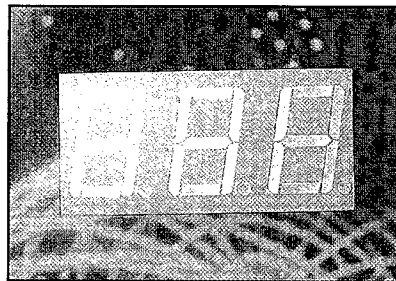


## APPLICATIONS

- Instrument Panels
- Test Equipment
- Meter Displays

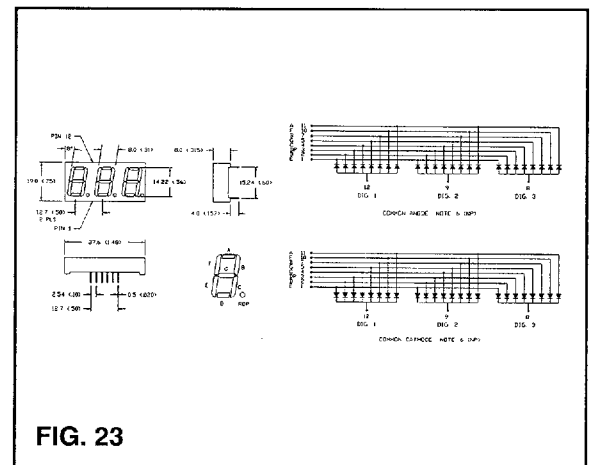
## OPTIONS AVAILABLE

- Right Angle Pins (Tooling Applied)
- Bicolor Red/Green
- Face & Segment Colors
- Graded Groups for Color/Intensity (See Page 5)



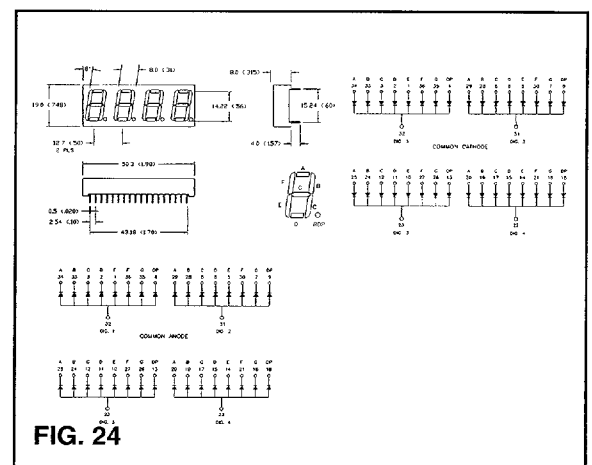
## PRODUCT SELECTION

<b>.56" Tri-Digit Numeric Displays, RHD, Multiplex Drive</b>						
Lumex Part Nbr	Ap (mm)	Iv, Icd @10mA(TYP)	Color	Comm Pin	Face Seg	Fig Nbr
LDT-M514RI	625	4000	RED	(+)	Grey White	23
LDT-N514RI	625	4000	RED	(-)	Grey White	23
LDT-M516RI	660	12000	SUP-RED	(+)	Grey White	23
LDT-N516RI	660	12000	SUP-RED	(-)	Grey White	23
LDT-M512RI	565	3500	GREEN	(+)	Grey White	23
LDT-N512RI	565	3500	GREEN	(-)	Grey White	23
LDT-M513RI	585	3500	YELLOW	(+)	Grey White	23
LDT-N513RI	585	3500	YELLOW	(-)	Grey White	23



## PRODUCT SELECTION

<b>.56" Quad Digit Numeric Displays, RHD, Direct Drive</b>						
Lumex Part Nbr	Ap (mm)	Iv, Icd @10mA(TYP)	Color	Comm Pin	Face Seg	Fig Nbr
LDQ-A514RI	625	4000	RED	(+)	Grey White	24
LDQ-C514RI	625	4000	RED	(-)	Grey White	24
LDQ-A516RI	660	12000	SUP-RED	(+)	Grey White	24
LDQ-C516RI	660	12000	SUP-RED	(-)	Grey White	24
LDQ-A512RI	565	3500	GREEN	(+)	Grey White	24
LDQ-C512RI	565	3500	GREEN	(-)	Grey White	24
LDQ-A513RI	585	3500	YELLOW	(+)	Grey White	24
LDQ-C513RI	585	3500	YELLOW	(-)	Grey White	24



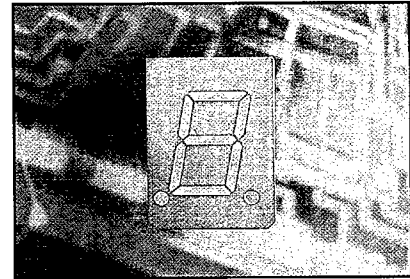
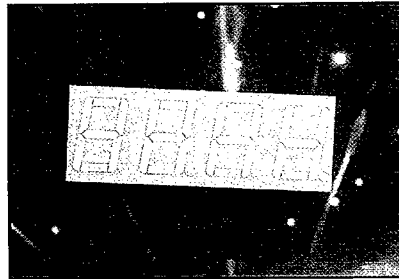
See Page 28 for Quad Right Angle .56" Displays.

APPLICATIONS

- Instrument Panels
- Test Equipment
- Meter Displays

OPTIONS AVAILABLE

- Right Angle Pins (Tooling Applied)
- Bicolor Red/Green
- Face & Segment Colors
- Graded Groups for Color/Intensity (See Page 5)



PRODUCT SELECTION

<b>.56" Quad Numeric Displays, RHD. Multiplex Drive</b>						
Lumex Part Nbr	λp (nm)	Iv μCd @10mA(TYP)	Color	Comm Pin	Face Seg	Fig Nbr
LDQ-M514RI	625	4000	RED	(+)	Grey White	25
LDQ-N514RI	625	4000	RED	(-)	Grey White	25
LDQ-M516RI	660	12000	SUP-RED	(+)	Grey White	25
LDQ-N516RI	660	12000	SUP-RED	(-)	Grey White	25
LDQ-M512RI	565	3500	GREEN	(+)	Grey White	25
LDQ-N512RI	565	3500	GREEN	(-)	Grey White	25
LDQ-M513RI	585	3500	YELLOW	(+)	Grey White	25
LDQ-N513RI	585	3500	YELLOW	(-)	Grey White	25

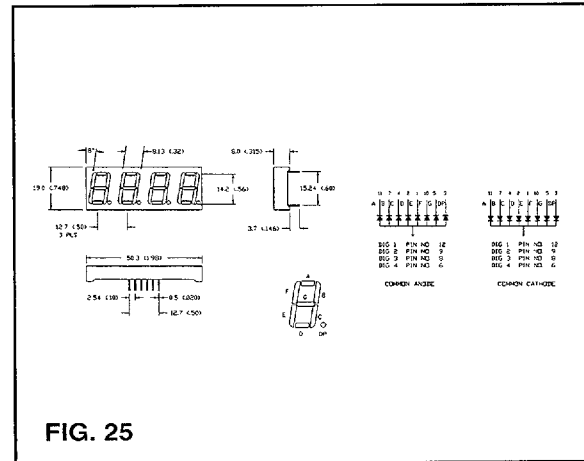


FIG. 25

PRODUCT SELECTION

<b>.60" Numeric Displays, RHD</b>						
Lumex Part Nbr	λp (nm)	Iv μCd @10mA(TYP)	Color	Comm Pin	Face Seg	Fig Nbr
LDS-A6004RI	625	4000	RED	(+)	Grey White	26
LDS-C6004RI	625	4000	RED	(-)	Grey White	26
LDS-A6006RI	660	12000	SUP-RED	(+)	Grey White	26
LDS-C6006RI	660	12000	SUP-RED	(-)	Grey White	26
LDS-A6002RI	565	3500	GREEN	(+)	Grey White	26
LDS-C6002RI	565	3500	GREEN	(-)	Grey White	26
LDS-A6003RI	585	3500	YELLOW	(+)	Grey White	26
LDS-C6003RI	585	3500	YELLOW	(-)	Grey White	26

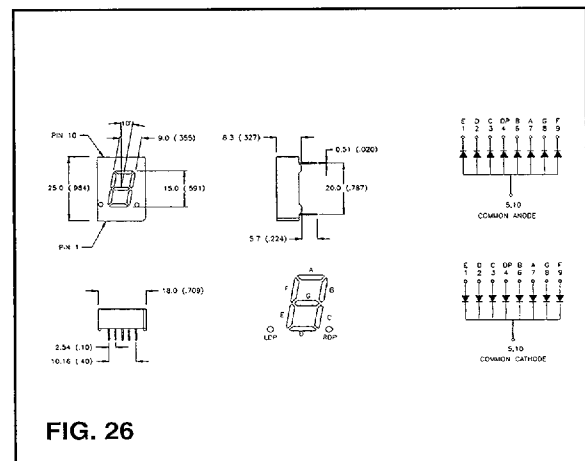


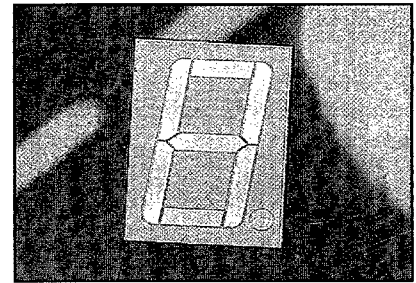
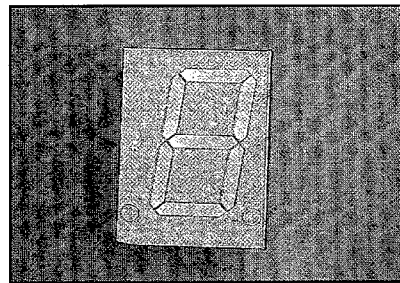
FIG. 26

## APPLICATIONS

- Instrument Panels
- Test Equipment
- Meter Displays

## OPTIONS AVAILABLE

- Right Angle Pins (Tooling Applied)
- Bicolor Red/Green
- Face & Segment Colors
- Graded Groups for Color/Intensity (See Page 5)



## PRODUCT SELECTION

.80" Numeric Display, RHD						
Lumex Part Nbr	∅P (mm)	Iv, $\mu$ Cd @10mA(TYP)	Color	Comm Pin	Face Seg	Fig Nbr
LDS-A814RI	625	4000	RED	(+)	Grey/White	27
LDS-C814RI	625	4000	RED	(-)	Grey/White	27
LDS-A816RI	660	12000	SUP-RED	(+)	Grey/White	27
LDS-C816RI	660	12000	SUP-RED	(-)	Grey/White	27
LDS-A812RI	565	3500	GREEN	(+)	Grey/White	27
LDS-C812RI	565	3500	GREEN	(-)	Grey/White	27
LDS-A813RI	585	3500	YELLOW	(+)	Grey/White	27
LDS-C813RI	585	3500	YELLOW	(-)	Grey/White	27

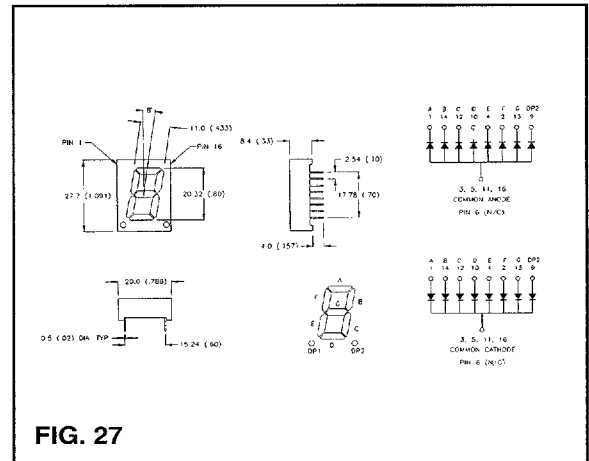


FIG. 27

## PRODUCT SELECTION

.80" Numeric Display, RHD, Rounded Segments						
Lumex Part Nbr	∅P (mm)	Iv, $\mu$ Cd @10mA(TYP)	Color	Comm Pin	Face Seg	Fig Nbr
LDS-A8024RI	625	4000	RED	(+)	Grey/White	28
LDS-C8024RI	625	4000	RED	(-)	Grey/White	28
LDS-A8026RI	660	12000	SUP-RED	(+)	Grey/White	28
LDS-C8026RI	660	12000	SUP-RED	(-)	Grey/White	28
LDS-A8022RI	565	3500	GREEN	(+)	Grey/White	28
LDS-C8022RI	565	3500	GREEN	(-)	Grey/White	28
LDS-A8023RI	585	3500	YELLOW	(+)	Grey/White	28
LDS-C8023RI	585	3500	YELLOW	(-)	Grey/White	28

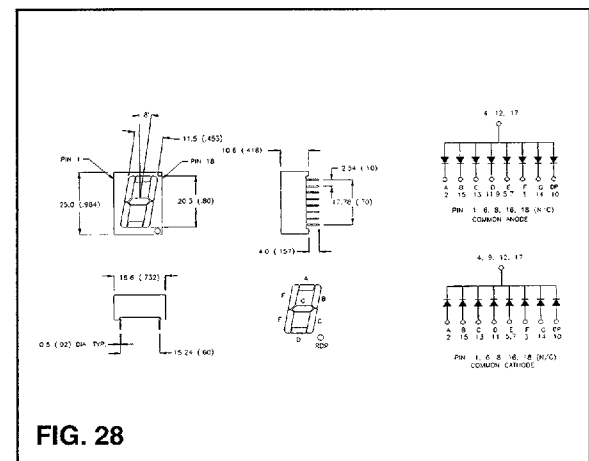


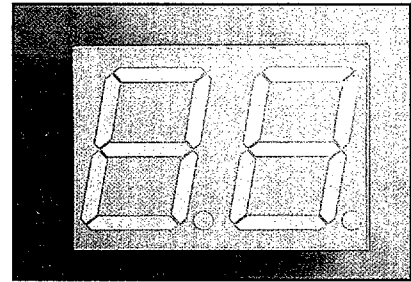
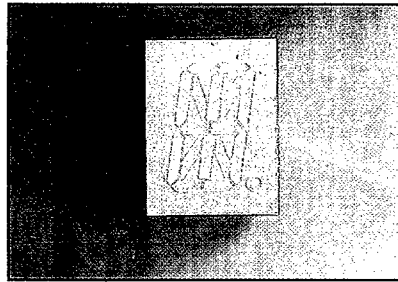
FIG. 28

## APPLICATIONS

- Instrument Panels
- Test Equipment
- Meter Displays

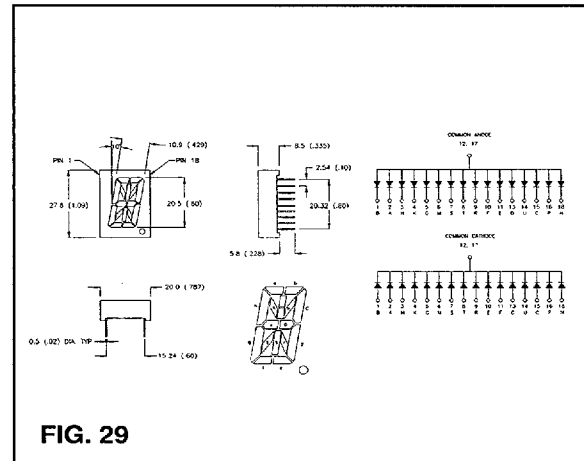
## OPTIONS AVAILABLE

- Right Angle Pins (Tooling Applied)
- Bicolor Red/Green
- Face & Segment Colors
- Graded Groups for Color/Intensity (See Page 5)



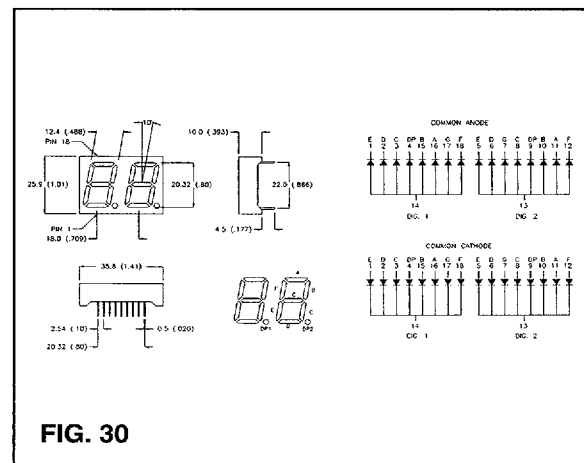
## PRODUCT SELECTION

<b>.30" Alpha-Numeric Displays, RHD</b>						
Lumex Part Nbr	$\lambda_p$ (nm)	$I_v$ $\mu$ Cd @10mA(TYP)	Color	Comm Pin	Face Seg	Fig Nbr
LDS-E8014RI	625	5000	RED	(+)	Grey White	29
LDS-F8014RI	625	5000	RED	(-)	Grey White	29
LDS-E8016RI	660	12000	SUP-RED	(+)	Grey White	29
LDS-F8016RI	660	12000	SUP-RED	(-)	Grey White	29
LDS-E8012RI	565	3000	GREEN	(+)	Grey White	29
LDS-F8012RI	565	3000	GREEN	(-)	Grey White	29
LDS-E8013RI	585	3000	YELLOW	(+)	Grey White	29
LDS-F8013RI	585	3000	YELLOW	(-)	Grey White	29



## PRODUCT SELECTION

<b>.30" Dual Numeric Displays, RHD</b>						
Lumex Part Nbr	$\lambda_p$ (nm)	$I_v$ $\mu$ Cd @10mA(TYP)	Color	Comm Pin	Face Seg	Fig Nbr
LDD-A814RI	625	5000	RED	(+)	Grey White	30
LDD-C814RI	625	5000	RED	(-)	Grey White	30
LDD-A816RI	660	12000	SUP-RED	(+)	Grey White	30
LDD-C816RI	660	12000	SUP-RED	(-)	Grey White	30
LDD-A812RI	565	3000	GREEN	(+)	Grey White	30
LDD-C812RI	565	3000	GREEN	(-)	Grey White	30
LDD-A813RI	585	3000	YELLOW	(+)	Grey White	30
LDD-C813RI	585	3000	YELLOW	(-)	Grey White	30

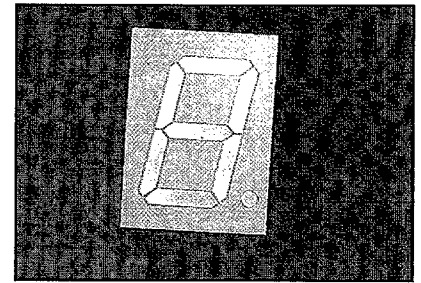
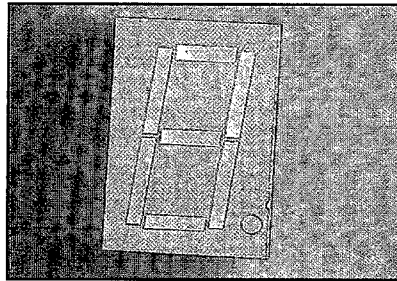


## APPLICATIONS

- Instrument Panels
- Test Equipment
- Score Keeping Boards

## OPTIONS AVAILABLE

- Right Angle Pins (Tooling Applied)
- Bicolor Red/Green
- Face & Segment Colors
- Graded Groups for Color/Intensity (See Page 5)



## PRODUCT SELECTION

1.0" Large Numeric Displays, RHD						
Lumex Part Nbr	7-p (mm)	Iv, Icd @10mA(TYP)	Color	Comm Pin	Face Seg	Fig Nbr
LDS-AA104RI	625	8000	RED	(+)	Grey White	31
LDS-CA104RI	625	8000	RED	(-)	Grey White	31
LDS-AA106RI	660	20000	SUP-RED	(+)	Grey White	31
LDS-CA106RI	660	20000	SUP-RED	(-)	Grey White	31
LDS-AA102RI	565	6000	GREEN	(+)	Grey White	31
LDS-CA102RI	565	6000	GREEN	(-)	Grey White	31
LDS-AA103RI	585	6000	YELLOW	(+)	Grey White	31
LDS-CA103RI	585	6000	YELLOW	(-)	Grey White	31

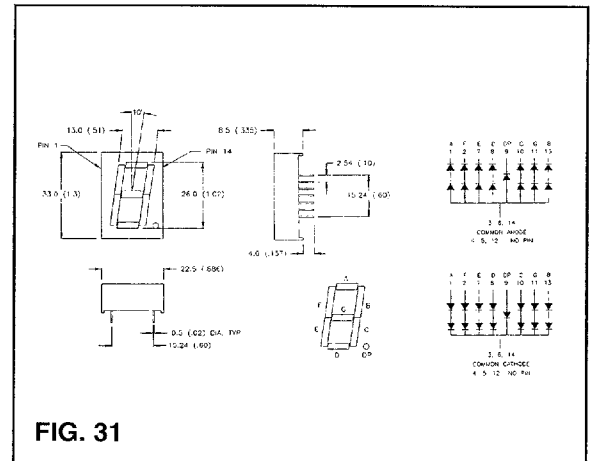


FIG. 31

## PRODUCT SELECTION

1.0" Large Numeric Displays, RHD						
Lumex Part Nbr	7-p (mm)	Iv, Icd @10mA(TYP)	Color	Comm Pin	Face Seg	Fig Nbr
LDS-AA14RI	625	8000	RED	(+)	Grey White	32
LDS-CA14RI	625	8000	RED	(-)	Grey White	32
LDS-AA16RI	660	20000	SUP-RED	(+)	Grey White	32
LDS-CA16RI	660	20000	SUP-RED	(-)	Grey White	32
LDS-AA12RI	565	6000	GREEN	(+)	Grey White	32
LDS-CA12RI	565	6000	GREEN	(-)	Grey White	32
LDS-AA13RI	585	6000	YELLOW	(+)	Grey White	32
LDS-CA13RI	585	6000	YELLOW	(-)	Grey White	32

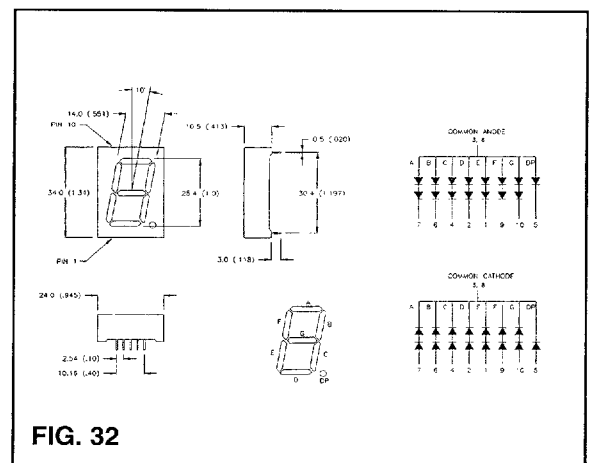


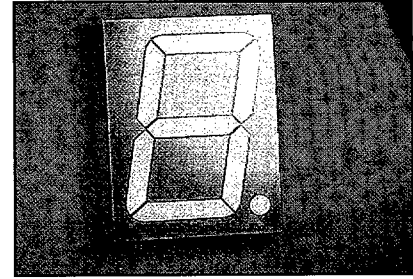
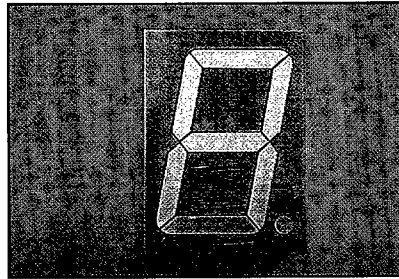
FIG. 32

## APPLICATIONS

- Instrument Panels
- Test Equipment
- Score Keeping Displays

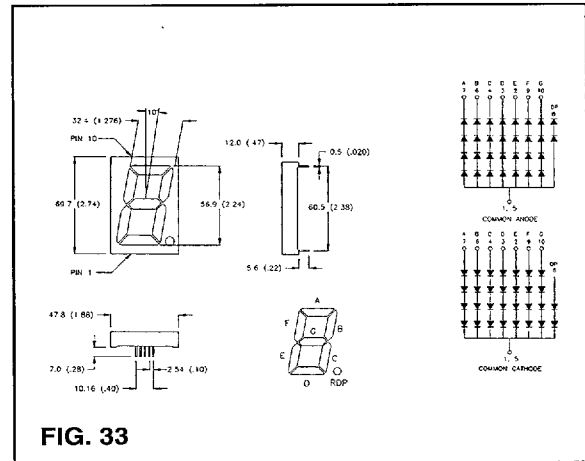
## OPTIONS AVAILABLE

- Right Angle Pins (Tooling Applied)
- Bicolor Red/Green
- Face & Segment Colors
- Graded Groups for Color/Intensity (See Page 5)



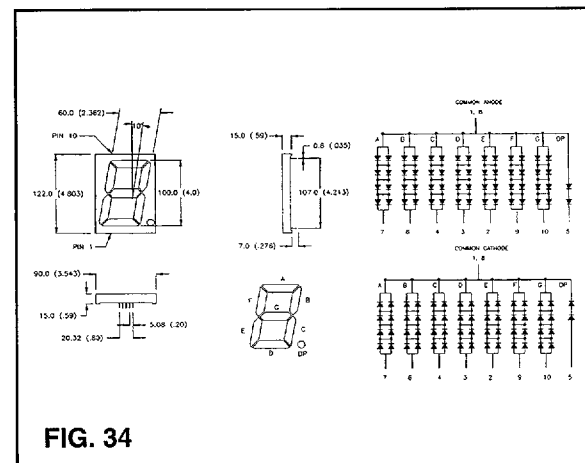
## PRODUCT SELECTION

2.25" Large Numeric Displays RHD						
Lumex Part Nbr	$\lambda_p$ (nm)	Iv (Cd @10mA(TYP))	Color	Comm Pin	Face Seg	Fig Nbr
LDS-AD14RI	625	9000	RED	(+)	Grey White	33
LDS-CD14RI	625	9500	RED	(-)	Grey White	33
LDS-AD16RI	660	21000	SUP-RED	(+)	Grey White	33
LDS-CD16RI	660	21000	SUP-RED	(-)	Grey White	33
LDS-AD12RI	565	7000	GREEN	(+)	Grey White	33
LDS-CD12RI	565	7000	GREEN	(-)	Grey White	33



## PRODUCT SELECTION

4.0" Large Numeric Displays, RHD						
Lumex Part Nbr	$\lambda_p$ (nm)	Iv (Cd @10mA(TYP))	Color	Comm Pin	Face Seg	Fig Nbr
LDS-AA404RI	625	8200	RED	(+)	Grey White	34
LDS-CA404RI	625	8200	RED	(-)	Grey White	34
LDS-AA406RI	660	20000	SUP-RED	(+)	Grey White	34
LDS-CA406RI	660	20000	SUP-RED	(-)	Grey White	34
LDS-AA402RI	565	6500	GREEN	(+)	Grey White	34
LDS-CA402RI	565	6500	GREEN	(-)	Grey White	34

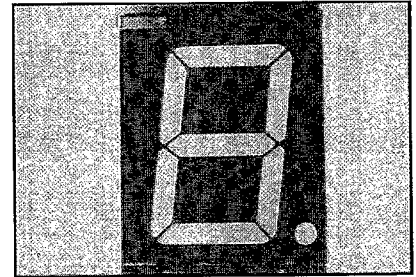
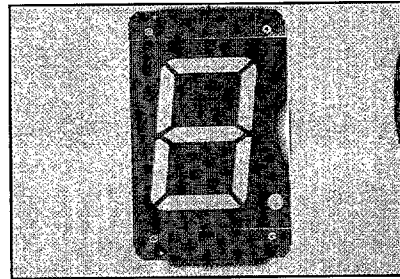


## APPLICATIONS

- Instrument Panels
- Test Equipment
- Score Keeping Displays

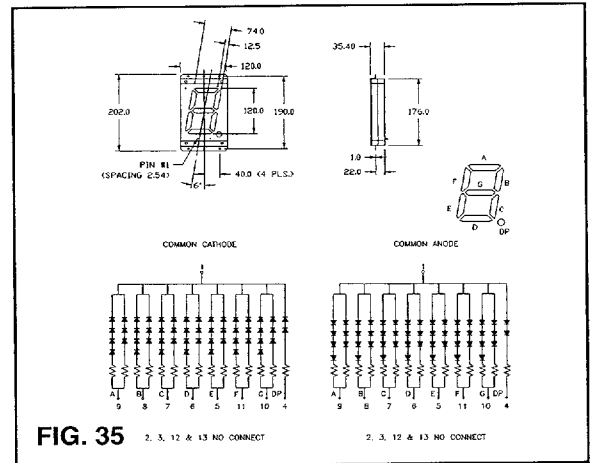
## OPTIONS AVAILABLE

- Right Angle Pins (Tooling Applied)
- Bicolor Red/Green
- Face & Segment Colors
- Graded Groups for Color/Intensity (See Page 5)



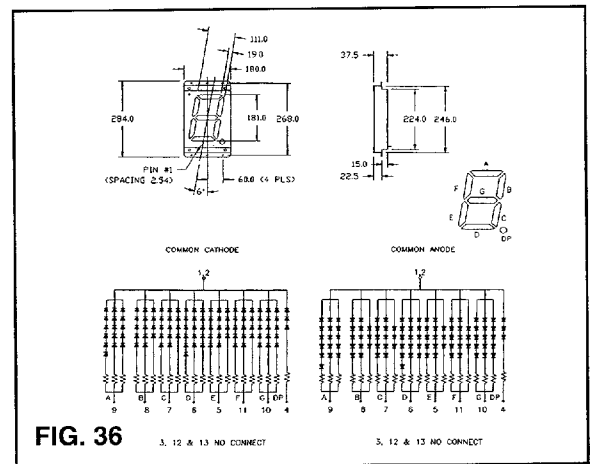
## PRODUCT SELECTION

5.0 Jumbo Numeric Displays, RHD						
Lumex Part Nbr	λp (nm)	Iv (Cd @10mA(TYP)	Color	Comm Pin	Face Seg	Fig Nbr
LDS-AA474RE	625	10000	RED	(+)	Grey White	35
LDS-CA474RE	625	10000	RED	(-)	Grey White	35
LDS-AA476RE	660	25000	SUP-RED	(+)	Grey White	35
LDS-CA476RE	660	25000	SUP-RED	(-)	Grey White	35



## PRODUCT SELECTION

7.25" Jumbo Numeric Selection Displays, RHD						
Lumex Part Nbr	λp (nm)	Iv (Cd @10mA(TYP)	Color	Comm Pin	Face Seg	Fig Nbr
LDS-AA716RE	660	30000	SUP-RED	(+)	Grey White	36
LDS-CA716RE	660	30000	SUP-RED	(-)	Grey White	36



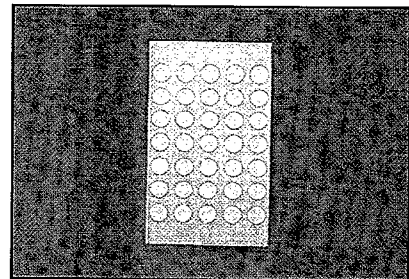
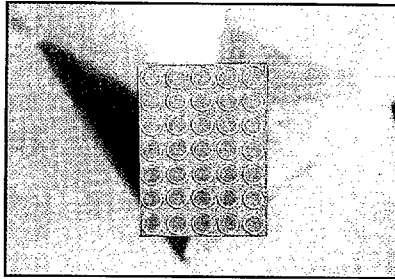


**APPLICATIONS**

- o Instrument Panels
- o Test Equipment
- o Information Displays

**OPTIONS AVAILABLE**

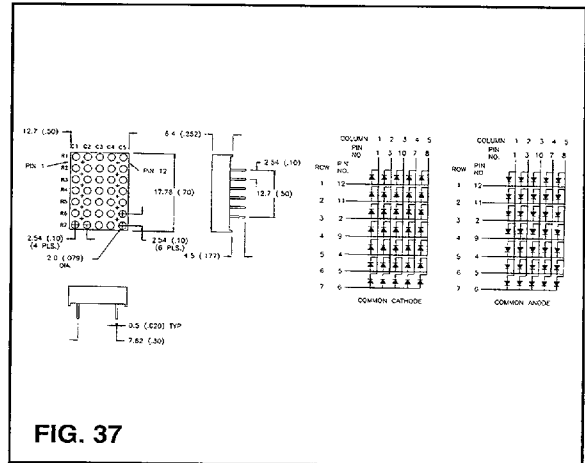
- o Right Angle Pins (Tooling Applied)
- o Bicolor Red/Green
- o Face & Segment Colors
- o Graded Groups for Color/Intensity (See Page 5)



**PRODUCT SELECTION**

**.70" (5x7) Dot Matrix Displays**

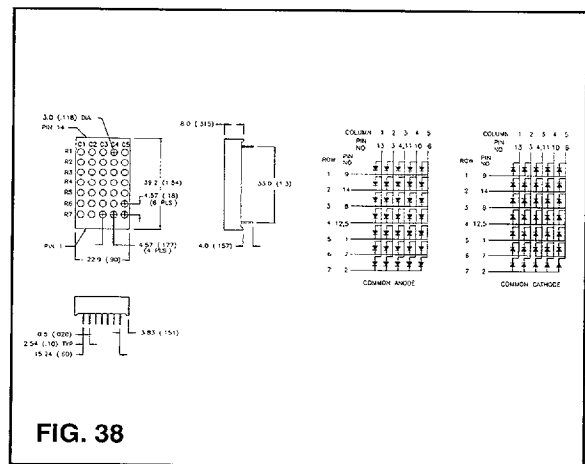
Lumex Part Nbr	Ap (nm)	Iv, $\mu$ Cd @10mA(TYP)	Color	Comm Pin	Face Seg	Fig Nbr
LDM-07457MI	625	3800	RED	(+)	Grey White	37
LDM-07457NI	625	3800	RED	(-)	Grey White	37
LDM-07657MI	660	7000	SUP-RED	(+)	Grey White	37
LDM-07657NI	660	7000	SUP-RED	(-)	Grey White	37
LDM-07257MI	565	2900	GREEN	(+)	Grey White	37
LDM-07257NI	565	2900	GREEN	(-)	Grey White	37



**PRODUCT SELECTION**

**1.5" (5X7) Dot Matrix Displays**

Lumex Part Nbr	Ap (nm)	Iv, $\mu$ Cd @10mA(TYP)	Color	Comm Pin	Face Seg	Fig Nbr
LDM-15457MI	625	4000	RED	(+)	Grey White	38
LDM-15457NI	625	4000	RED	(-)	Grey White	38
LDM-15657MI	660	8000	SUP-RED	(+)	Grey White	38
LDM-15657NI	660	8000	SUP-RED	(-)	Grey White	38
LDM-15257MI	565	3000	GREEN	(+)	Grey White	38
LDM-15257NI	565	3000	GREEN	(-)	Grey White	38



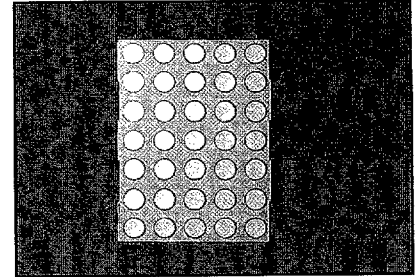
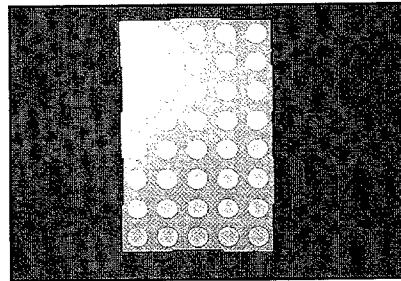


## APPLICATIONS

- o Instrument Panels
- o Test Equipment
- o Information Displays

## OPTIONS AVAILABLE

- o Right Angle Pins (Tooling Applied)
- o Bicolor Red/Green
- o Full Color RGB
- o Face & Segment Color
- o Graded Groups for Color/Intensity (See Page 5)



## PRODUCT SELECTION

### 1.5" (5X3) Dot Matrix Displays

Lumex Part Nbr	$\lambda_p$ (nm)	Iv (Cd) @10mA(TYP)	Color	Comm Pin	Face Seg	Fig Nbr
LDM-15458MI	625	4000	RED	(+)	Grey White	39
LDM-15458NI	625	4000	RED	(-)	Grey White	39
LDM-15658MI	660	8000	SUP-RED	(+)	Grey White	39
LDM-15658NI	660	8000	SUP-RED	(-)	Grey White	39
LDM-15258MI	565	3000	GREEN	(+)	Grey White	39
LDM-15258NI	565	3000	GREEN	(-)	Grey White	39

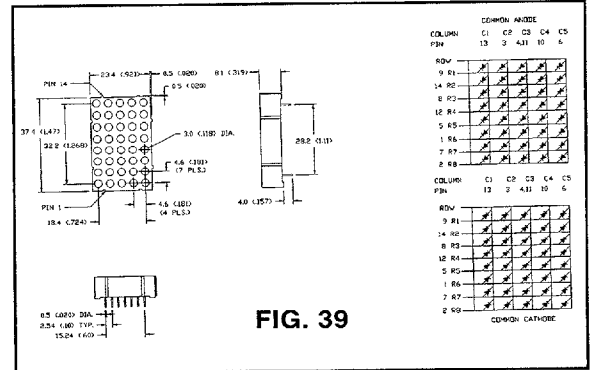


FIG. 39

## PRODUCT SELECTION

### 2.1" (5X7) Dot Matrix Displays

Lumex Part Nbr	$\lambda_p$ (nm)	Iv (Cd) @10mA(TYP)	Color	Comm Pin	Face Seg	Fig Nbr
LDM-21457MI	625	4000	RED	(+)	Grey White	40A
LDM-21457NI	625	4000	RED	(-)	Grey White	40A
LDM-21657MI	660	8000	SUP-RED	(+)	Grey White	40A
LDM-21657NI	660	8000	SUP-RED	(-)	Grey White	40A
LDM-21257MI	565	3000	GREEN	(+)	Grey White	40A
LDM-21257NI	565	3000	GREEN	(-)	Grey White	40A
LDM-2124757NI	656	6000		(-)	Grey White	40B
LDM-2124757NI	565	3800	RGB	(-)	Grey White	40B
LDM-2124757NI	430	3000		(-)	Grey White	40B

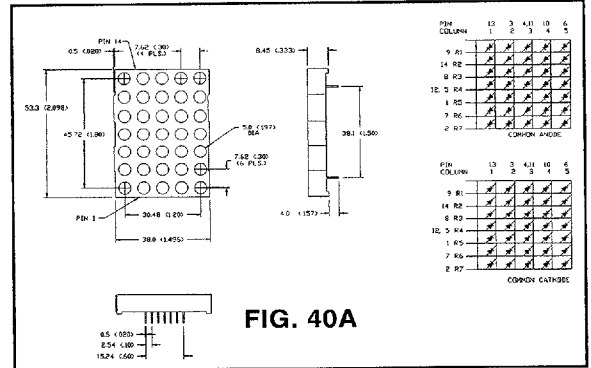


FIG. 40A

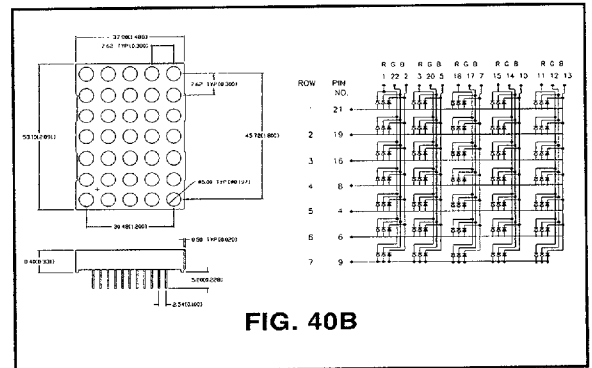


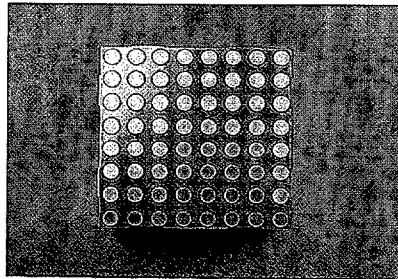
FIG. 40B

APPLICATIONS

- Instrument Panels
- Test Equipment
- Information Displays

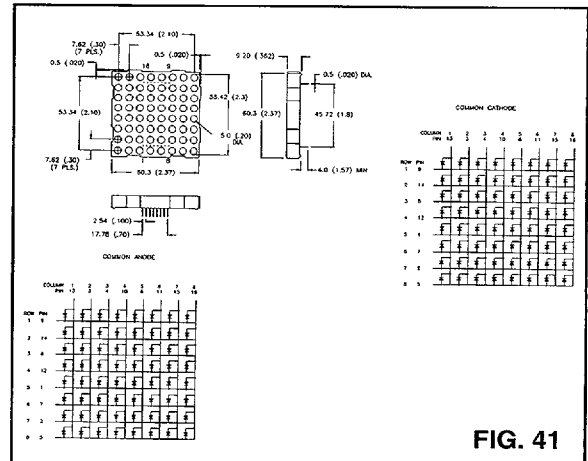
OPTIONS AVAILABLE

- Right Angle Pins (Tooling Applied)
- Bicolor Red/Green
- Face & Segment Colors
- Graded Groups for Color/Intensity (See Page 5)



PRODUCT SELECTION

2.4" (8x8) Dot Matrix Displays						
Lumex Part Nbr	$\lambda_p$ (nm)	Iv $\mu$ Cd @10mA(TYP)	Color	Comm Pin	Face Seg	Fig Nbr
LDM-24488MI	625	3500	RED	(+)	Grey White	41
LDM-24488NI	625	3500	RED	(-)	Grey White	41
LDM-24688MI	660	8000	SUP-RED	(+)	Grey White	41
LDM-24688NI	660	8000	SUP-RED	(-)	Grey White	41
LDM-24288MI	565	3000	GREEN	(+)	Grey White	41
LDM-24288NI	565	3000	GREEN	(-)	Grey White	41



## FEATURES

Right Angle Displays eliminate the need for very expensive sockets while assisting in easy installation right angle to the board

## APPLICATIONS

- Instrument Panels
- Medical Diagnostics
- Test Equipment
- Control Panels

## PRODUCT SELECTION TABLE

.30" QUAD DIGIT RIGHT ANGLE NUMERIC DISPLAY, MULTIPLEX								
LUMEX PART NUMBER	$\lambda$ Pk nm	Iv ( $\mu$ CD) @ 20 mA (Typ)	Emitted Color	Common P/N	Vf @20 mA	Power off colors		Fig. Nbr
						Face	Segment	
LDQ-M3404RI-RA	625	8000	Red	(+)	2.1	Grey	White	1
LDQ-N3404RI-RA	625	8000	Red	(-)	2.1	Grey	White	1
LDQ-M3406RI-RA	660	14000	Sup-Red	(+)	1.9	Grey	White	1
LDQ-N3406RI-RA	660	14000	Sup-Red	(-)	1.9	Grey	White	1
LDQ-M3402RI-RA	565	4800	Green	(+)	2.2	Grey	White	1
LDQ-N3402RI-RA	565	4800	Green	(-)	2.2	Grey	White	1
LDQ-M3403RI-RA	585	4800	Yellow	(+)	2.1	Grey	White	1
LDQ-N3403RI-RA	585	4800	Yellow	(-)	2.1	Grey	White	1
LOW CURRENT LED (RATED AT 2 mA If)								
LDQ-M3406LRI-RA	660	2800	Sup-Red	(+)	1.6	Grey	White	1
LDQ-N3406LRI-RA	660	2800	Sup-Red	(-)	1.6	Grey	White	1

.30" DUAL DIGIT RIGHT ANGLE NUMERIC DISPLAY, DUPLEX DRIVE								
LUMEX PART NUMBER	$\lambda$ Pk nm	Iv ( $\mu$ CD) @ 20 mA (Typ)	Emitted Color	Common P/N	Vf @20 mA	Power off colors		Fig. Nbr
						Face	Segment	
LDD-E304NI-RA	625	8000	Red	(+)	2.1	Grey	White	2
LDD-F304NI-RA	625	8000	Red	(-)	2.1	Grey	White	2
LDD-E306NI-RA	660	14000	Sup-Red	(+)	1.9	Grey	White	2
LDD-F306NI-RA	660	14000	Sup-Red	(-)	1.9	Grey	White	2
LDD-E302NI-RA	565	4800	Green	(+)	2.2	Grey	White	2
LDD-F302NI-RA	565	4800	Green	(-)	2.2	Grey	White	2
LDD-E303NI-RA	585	4800	Yellow	(+)	2.1	Grey	White	2
LDD-F303NI-RA	585	4800	Yellow	(-)	2.1	Grey	White	2
LOW CURRENT LED (RATED AT 2 mA If)								
LDD-E306LNI-RA	660	2800	Sup-Red	(+)	1.6	Grey	White	2
LDD-F306LNI-RA	660	2800	Sup-Red	(-)	1.6	Grey	White	2

.56" SINGLE DIGIT RIGHT ANGLE NUMERIC DISPLAY, MULTIPLEX DRIVE								
LUMEX PART NUMBER	$\lambda$ Pk nm	Iv ( $\mu$ CD) @ 20 mA (Typ)	Emitted Color	Common P/N	Vf @20 mA	Power off colors		Fig. Nbr
						Face	Segment	
LDS-M514RI-RA	625	8000	Red	(+)	2.1	Grey	White	3
LDS-N514RI-RA	625	8000	Red	(-)	2.1	Grey	White	3
LDS-M516RI-RA	660	14000	Sup-Red	(+)	1.9	Grey	White	3
LDS-N516RI-RA	660	14000	Sup-Red	(-)	1.9	Grey	White	3
LDS-M512RI-RA	565	4800	Green	(+)	2.2	Grey	White	3
LDS-N512RI-RA	565	4800	Green	(-)	2.2	Grey	White	3
LDS-M513RI-RA	585	4800	Yellow	(+)	2.1	Grey	White	3
LDS-N513RI-RA	585	4800	Yellow	(-)	2.1	Grey	White	3
LOW CURRENT LED (RATED AT 2 mA If)								
LDS-M516LRI-RA	660	2800	Sup-Red	(+)	1.6	Grey	White	3
LDS-M516LRI-RA	660	2800	Sup-Red	(-)	1.6	Grey	White	3

☎ 1-800-278-5666

 [www.lumex.com](http://www.lumex.com)

☎ 1-800-944-2790

■ 5616113 0001392 625 ■



## FEATURES

Right Angle Displays eliminate the need for very expensive sockets while assisting in easy installation right angle to the board

## APPLICATIONS

- Instrument Panels
- Medical Diagnostics
- Test Equipment
- Control Panels

## PRODUCT SELECTION TABLE

<b>.56" DUAL DIGIT RIGHT ANGLE NUMERIC DISPLAY, MULTIPLEX DRIVE</b>								
LUMEX PART NUMBER	λ Pk nm	Iv (μCD) @ 20 mA (Typ)	Emitted Color	Common P/N	Vf @20 mA	Power off colors		Fig. Nbr
						Face	Segment	
LDD-M514RI-RA	625	8000	Red	(+)	2.1	Grey	White	4
LDD-N514RI-RA	625	8000	Red	(-)	2.1	Grey	White	4
LDD-M516RI-RA	660	14000	Sup-Red	(+)	1.9	Grey	White	4
LDD-N516RI-RA	660	14000	Sup-Red	(-)	1.9	Grey	White	4
LDD-M512RI-RA	565	4800	Green	(+)	2.2	Grey	White	4
LDD-N512RI-RA	565	4800	Green	(-)	2.2	Grey	White	4
LDD-M513RI-RA	585	4800	Yellow	(+)	2.1	Grey	White	4
LDD-N513RI-RA	585	4800	Yellow	(-)	2.1	Grey	White	4
<b>LOW CURRENT LED (RATED AT 2 mA If)</b>								
LDD-M516LRI-RA	660	2700	Sup-Red	(+)	1.6	Grey	White	4
LDD-N516LRI-RA	660	2700	Sup-Red	(-)	1.6	Grey	White	4

<b>.56" QUAD DIGIT RIGHT ANGLE NUMERIC DISPLAY, MULTIPLEX DRIVE</b>								
LUMEX PART NUMBER	λ Pk nm	Iv (μCD) @ 20 mA (Typ)	Emitted Color	Common P/N	Vf @20 mA	Power off colors		Fig. Nbr
						Face	Segment	
LDQ-M514RI-RA	625	8000	Red	(+)	2.1	Grey	White	5
LDQ-N514RI-RA	625	8000	Red	(-)	2.1	Grey	White	5
LDQ-M516RI-RA	660	14000	Sup-Red	(+)	1.9	Grey	White	5
LDQ-N516RI-RA	660	14000	Sup-Red	(-)	1.9	Grey	White	5
LDQ-M512RI-RA	565	4800	Green	(+)	2.2	Grey	White	5
LDQ-N512RI-RA	565	4800	Green	(-)	2.2	Grey	White	5
LDQ-M513RI-RA	585	4800	Yellow	(+)	2.1	Grey	White	5
LDQ-N513RI-RA	585	4800	Yellow	(-)	2.1	Grey	White	5
<b>LOW CURRENT LED (RATED AT 2 mA If)</b>								
LDQ-M516LRI-RA	660	2700	Sup-Red	(+)	1.6	Grey	White	5
LDQ-N516LRI-RA	660	2700	Sup-Red	(-)	1.6	Grey	White	5

<b>10 SEGMENT LIGHT BAR RIGHT ANGLE, DIRECT DRIVE (DIP)</b>								
LUMEX PART NUMBER	λ Pk nm	Iv (μCD) @ 20 mA (Typ)	Emitted Color	P/N	Vf @20 mA	Power off colors		Fig. Nbr
						Face	Segment	
SSA-LXB10IW-RA	625	8000	Red	(DIP)	2.1	Grey	White	6
SSA-LXB10SRW-RA	660	14000	Sup-Red	(DIP)	1.9	Grey	White	6
SSA-LXB10GW-RA	565	3800	Green	(DIP)	2.2	Grey	White	6
SSA-LXB10YW-RA	585	3800	Yellow	(DIP)	2.1	Grey	White	6
<b>MULTI-COLOR UNIT</b>								
	565	3800	Green	(DIP)	2.1	Grey	White	6
SSA-LXB10G5Y273-RA	585	3800	Yellow	(DIP)	2.1	Grey	White	6
	625	6000	Red	(DIP)	2.1	Grey	White	6

1-800-278-5666



www.lumex.com



1-800-944-2790

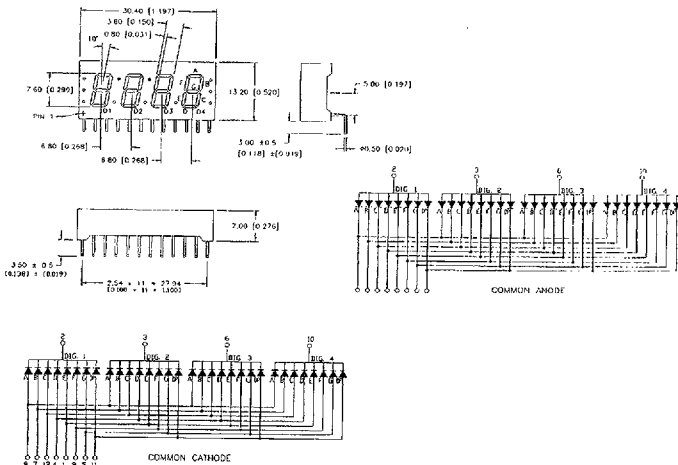


FIG. 1

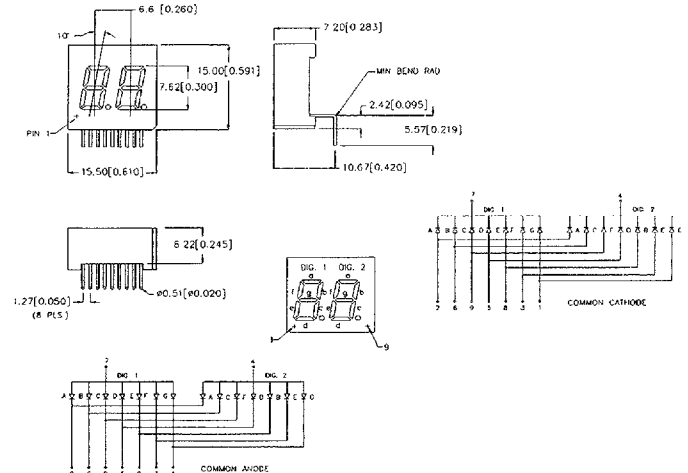


FIG. 2

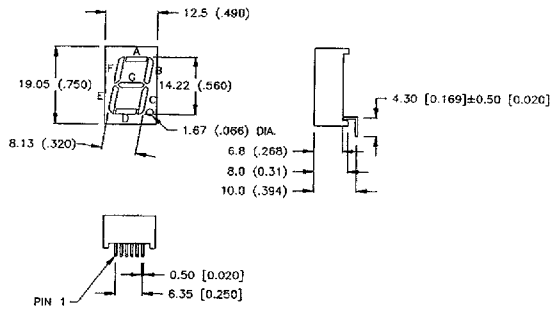


FIG. 3

COMMON ANODE      COMMON CATHODE

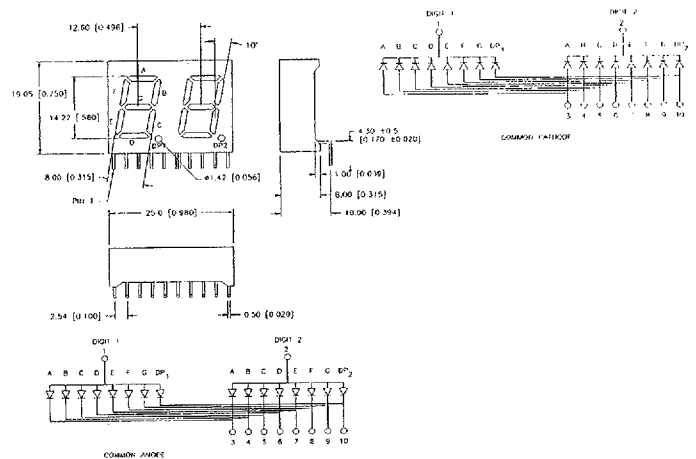


FIG. 4

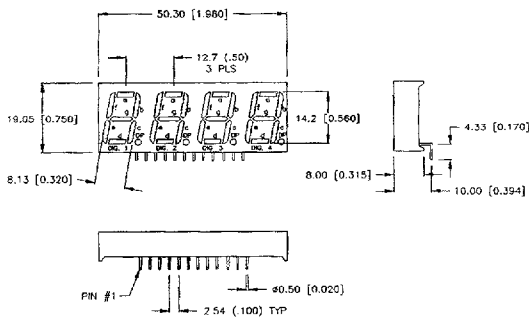


FIG. 5

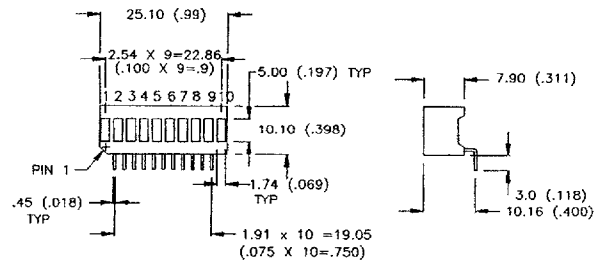
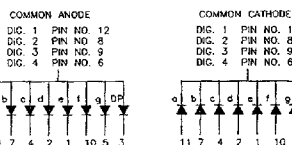


FIG. 6

