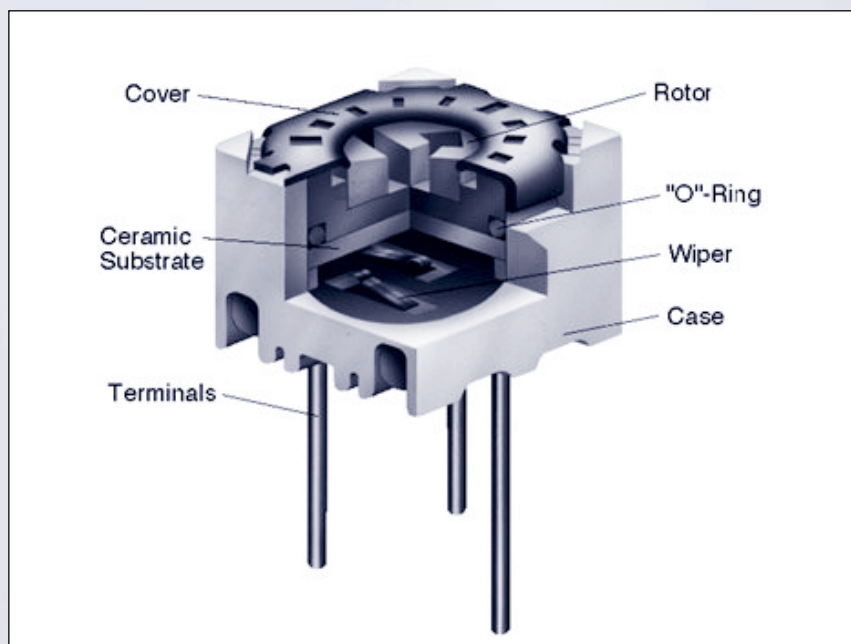


76

A 1/4" Square/
Single Turn/Cermet Trimmer

Features include:

Enlarged coloured rotor to provide superior adjustability, easy view of the adjustment increments, funnel shaped rotor to allow for in-process automatic adjustment, withstands immersion cleaning processes, suitable for ultrasonic cleaning after soldering.

**ELECTRICAL****Resistance:**

Standard range, 10 to 5 Megohms

Resistance Tolerance:

50K, 100K
±20% std

Absolute Minimum Resistance:

1% or 2 Ohms
(Whichever is greater)

Contact Resistance Variation:

3% or 3 Ohms max.
(Whichever is greater)

Adjustability:

Resolution: Infinite
Insulation Resistance:
1000 megohms min

Adjustment Angle:

240° nom.

Dielectric Strength:

Sea Level: 600 vac

Power rating (300 volts max):

70°C - 0.5W
125°C - 0.0W

MECHANICAL**Angle:**

270°

Torque:

0.98 to 19.6mNm

Stop Strength:

49mNm

Terminals:

Soloderable Pins

Weight:

0.02 oz

RESISTANCE VALUES**Ohms:**

10R, 20R, 25R, 50R, 100R, 200R,
250R, 500R, 1K, 2K, 5K, 10K, 20K,
25K, 50K, 100K, 200K, 250K, 500K,
1M, 2M, 5M

MARKING**Unit Identification:**

Manufacturer's name and model number, IEC resistance value coding, tolerance, date code and terminal identification.

ENVIRONMENTAL**Temperature Range:**

-55°C to +125°C

Temperature Coefficient:

±100ppm/°C

Seal Test:

85°C

Humidity:

MIL-STD-202
method 103 96 hours
(+2%ΔTR; 100 megohms IR)

Vibration:

20 G (1%ΔTR; 1%ΔVR)

Shock:

100G (1%ΔTR; 1%ΔVR)

Load Life:

1000 hours 0.5 watt @ 70°C
(+2% ΔTR; 2% or 2ohms)
whichever is greater, CRV)

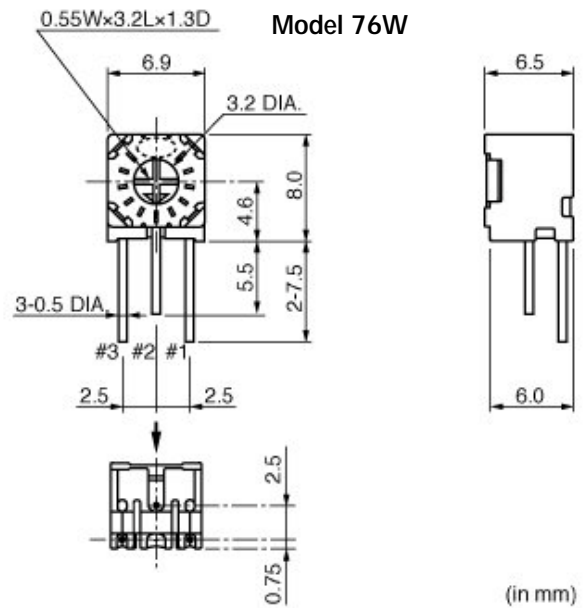
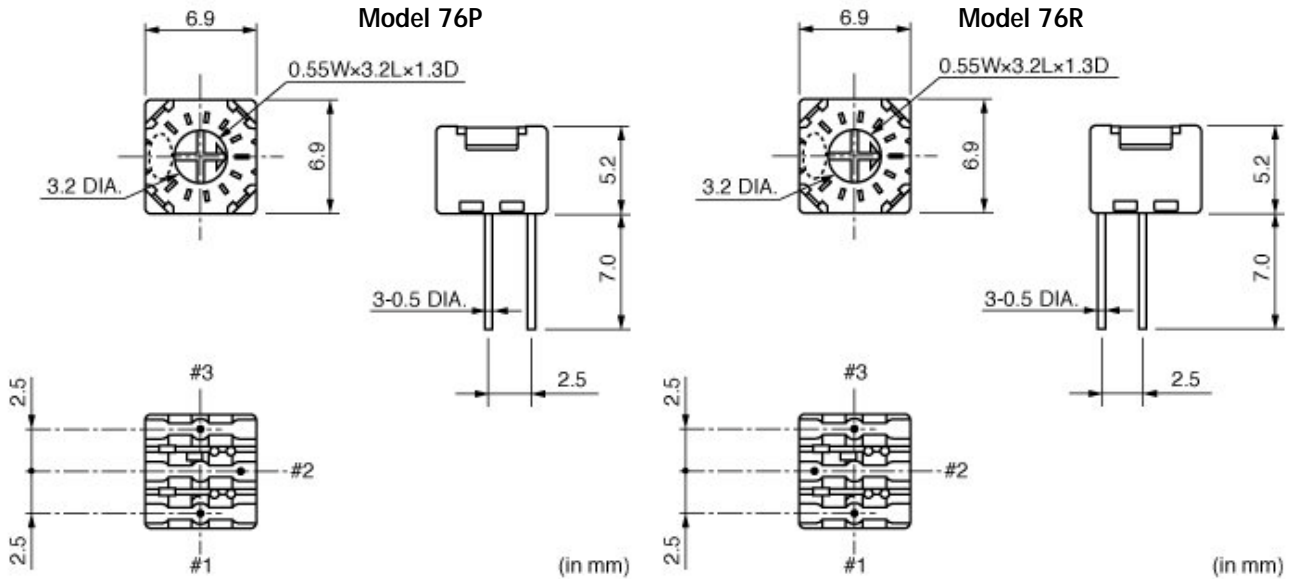
Rotational Life:

200 cycles

Model 76

1/4" Square/Single Turn/Cermet

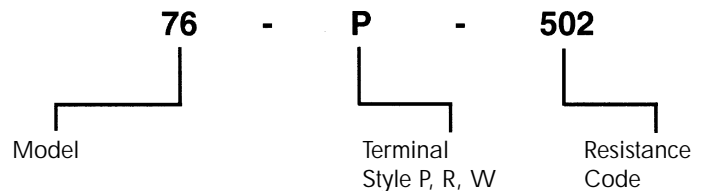
DIMENSIONS



ORDERING INFORMATION

Standard Resistance	
Res. Ohms	Res. Code
10	100
20	200
25	250
50	500
100	101
200	201
250	251
500	501
1000*	102*
2000*	202*
2500	252
5000*	502*
10000*	103*
20000*	203*
25000	253
50000	503
100000	104
200000	204
250000	254
500000	504
1000000	105
2000000	205
5000000	505

*Preferred Range



Spectrol Electronics Limited

Garrard Way, Swindon, Wiltshire, SN3 3HY, England

Tel: +44 (0) 1793 521351 Fax: +44 (0) 1793 539255 Sales Fax: +44 (0) 1793 525163

E-mail: sales@spectrol.co.uk Web: www.spectrol.co.uk