

**PLEASE CHECK WWW.MOLEX.COM FOR LATEST PART INFORMATION**

**Part Number:** [0355240924](#)  
**Status:** **Active**  
**Description:** 1.78mm (.070") Tab Multiple Male Housing With Ear, 9 Circuits, Vertical, Polyester UL94V-0, Blue

**Documents:**

[Drawing \(PDF\)](#) [RoHS Certificate of Compliance \(PDF\)](#)  
[Product Specification PS-35524-001 \(PDF\)](#)

**General**

Product Family	Crimp Housings
Series	35524
Comments	Polarized to Mating Part
Product Name	N/A

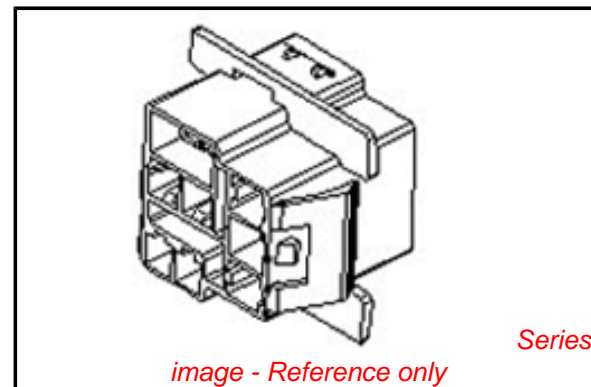
**Physical**

Breakaway	No
Circuits (maximum)	9
Color - Resin	Blue
Gender	Male
Glow-Wire Compliant	No
Keying to Mating Part	None
Lock to Mating Part	Yes
Material - Resin	Polyester
Number of Rows	3
Packaging Type	Bag
Panel Mount	No
Pitch - Mating Interface (in)	0.244 In, 0.287 In
Pitch - Mating Interface (mm)	6.20 mm, 7.30 mm
Stackable	No
Temperature Range - Operating	-40°C to +120°C

**Material Info**

**Reference - Drawing Numbers**

Product Specification	PS-35524-001
Sales Drawing	SD-35524-001



**EU RoHS**

**ELV and RoHS Compliant**  
**REACH SVHC**  
 Not Reviewed  
**Halogen-Free**  
**Status**  
**Not Reviewed**

**China RoHS**



**Need more information on product environmental compliance?**

Email [productcompliance@molex.com](mailto:productcompliance@molex.com)  
 For a multiple part number RoHS Certificate of Compliance, [click here](#)

Please visit the [Contact Us](#) section for any non-product compliance questions.

**Search Parts in this Series**

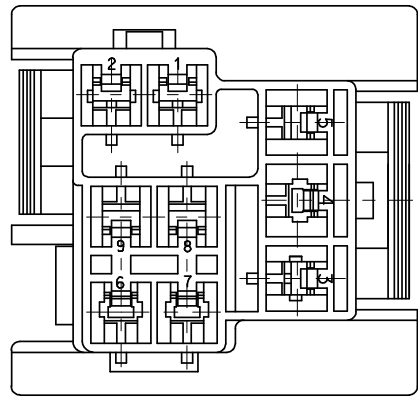
[35524Series](#)

**Mates With**

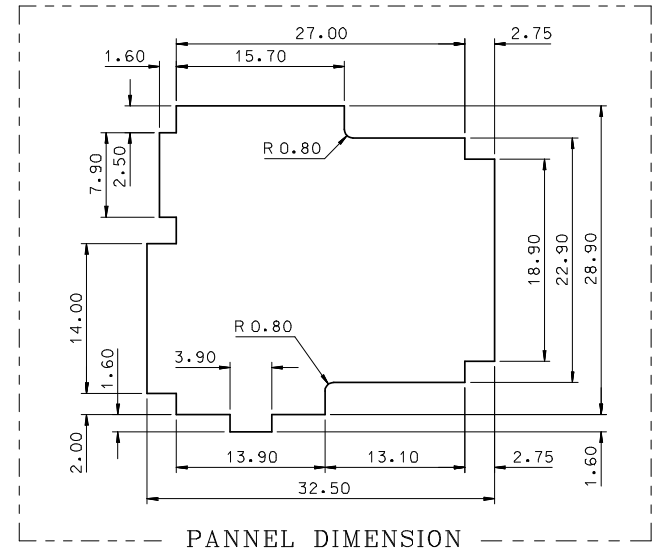
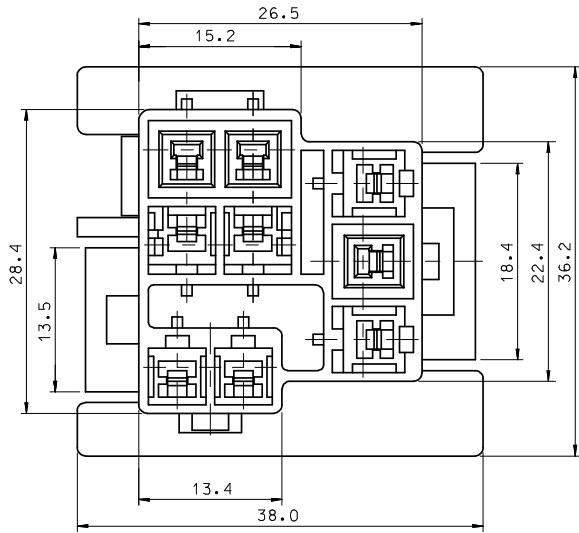
[35151](#) VersaBlade™ Hybrid Plug Housing,  
[35525](#) Tab Female Housing

**Use With**

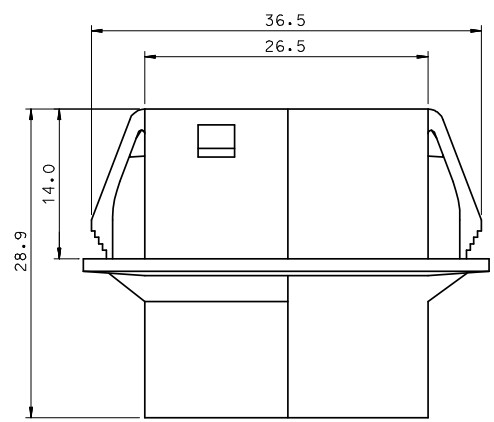
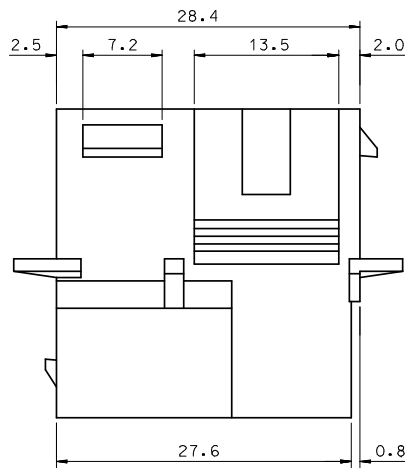
[35151](#) VersaBlade™ Hybrid Plug Housing.  
[35525](#) Tab Female Housing



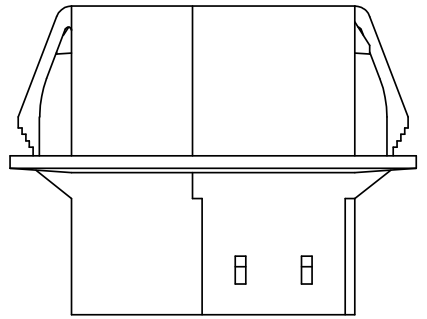
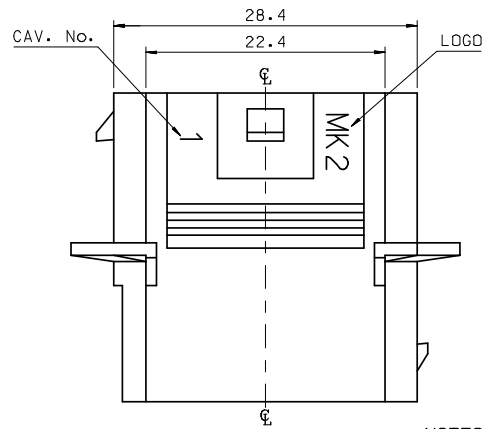
VIEW "A"



PANNEL DIMENSION



↑  
"A"



- NOTES.
1. MATERIAL : SEE TABLE.
  2. MATED HOUSING : 35524-020\*/35151-021\*/35151-031\*/35151-041\*
  3. APPLICABLE TERMINAL : 35745-0\*10 (1,2,3 CIRCUIT)  
35746-0\*10 (4,6,7 CIRCUIT)  
35747-0\*10 (5,8,9 CIRCUIT)
  4. MATED T.P.A : 35150-029\*/35150-039\*

NO	PRODUCT		MATERIAL		DESCRIPTION
	ENG NO.	MATERIAL NO.	EDP NO.	COLOR	
1	35524-0920	355240920	89992-0090	NATURAL	PBT (UL94V-0)
2	35524-0924	355240924	89992-0865	BLUE	
3	35524-0929	355240929	89992-1234	NATURAL	PBT/PC (UL94V-0)
4	35524-4929	355244929	89992-1329	BLUE	

REVISED	EC NO: KOR2008-0103	2007/12/21
DRWN:SKHAN01	2007/12/21	
CHKD:WY YANG	2007/12/21	
APPR:YUNSIKKIM	2007/12/21	
REV	DESCRIPTION	

QUALITY SYMBOLS	GENERAL TOLERANCES (UNLESS SPECIFIED)	
	mm	INCH
▽=0	4 PLACES ± ---	± ---
▽=0	3 PLACES ± ---	± ---
	2 PLACES ± ---	± ---
	1 PLACE ± 0.3	± ---
	ANGULAR ± 3°	
	DRAFT WHERE APPLICABLE MUST REMAIN WITHIN DIMENSIONS	

DIMENSION STYLE		SCALE	DESIGN UNITS	THIRD ANGLE PROJECTION
MM ONLY		2:1	METRIC	
DRAWN BY	DATE	TITLE		
SK.HAN	2007/12/13	070 MULTICONN MALE HOUSING-9P		
CHECKED BY	DATE			
WY.YANG	2007/12/13	MOLEX INCORPORATED		
APPROVED BY	DATE			
EH. JUNG	2007/12/13	SD-35524-001		
MATERIAL NO.	DOCUMENT NO.			
		SHEET NO. 1 OF 1		

DRAWN BY		DATE	TITLE	
SK.HAN		2007/12/13	070 MULTICONN MALE HOUSING-9P	
CHECKED BY		DATE		
WY.YANG		2007/12/13	MOLEX INCORPORATED	
APPROVED BY		DATE		
EH. JUNG		2007/12/13	SD-35524-001	
MATERIAL NO.		DOCUMENT NO.		
			SHEET NO. 1 OF 1	