

**PLEASE CHECK WWW.MOLEX.COM FOR LATEST PART INFORMATION**

**Part Number:** [0643202311](#)  
**Status:** **Active**  
**Overview:** [cmc connectors](#)  
**Description:** .635mm (.025"), 1.50mm (.059"), CMC Receptacle, 36 Circuits, Left Wire Output, Black Coding, Mat Sealed, Row 1 Closed

**Documents:**

[3D Model](#) [Application Specification \(PDF\)](#)  
[Drawing \(PDF\)](#) [RoHS Certificate of Compliance \(PDF\)](#)

**General**

Product Family	Crimp Housings
Series	<a href="#">64320</a>
Comments	* Current tested on a 5 terminals loaded connector, current for temperature increase of 40°C . Current max = 6.0A for 0.635mm Terminal (0.75mm <sup>2</sup> wire) and 12.0A for 1.5mm Terminal (2.0mm <sup>2</sup> wire) *
More Detailed Tech Information	Sealed, high-density, modular connecting system for Power Train and Body Electronics applications in cars, trucks, busses
Overview	<a href="#">cmc connectors</a>
Product Name	CMC

**Physical**

Circuits (maximum)	36
Circuits Detail	6 x 1.5mm, 30 x 0.635mm terminals
Color - Resin	Black
Gender	Female
Glow-Wire Compliant	No
Keying to Mating Part	Yes
Lock to Mating Part	Yes
Material - Resin	Polyester
Number of Rows	3
Packaging Type	Carton
Panel Mount	No
Pitch - Mating Interface (in)	0.100 In, 0.146 In
Pitch - Mating Interface (mm)	2.54 mm, 3.70 mm
Polarized to Mating Part	Yes
Stackable	No
Temperature Range - Operating	-40°C to +125°C

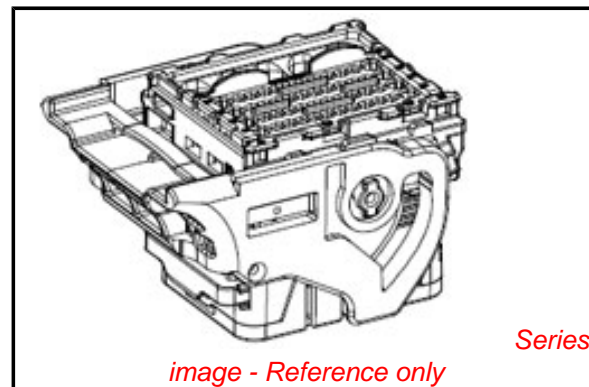
**Electrical**

Current - Maximum per Contact	12A, 6A
-------------------------------	---------

**Material Info**

**Reference - Drawing Numbers**

Packaging Specification	PK-64320-001
Sales Drawing	SD-64320-003, SD-98644-006



**EU RoHS**

**ELV and RoHS Compliant**  
**REACH SVHC**  
 Not Reviewed  
**Halogen-Free Status**  
 Not Reviewed

**China RoHS**



**Need more information on product environmental compliance?**

Email [productcompliance@molex.com](mailto:productcompliance@molex.com)  
 For a multiple part number RoHS Certificate of Compliance, [click here](#)

Please visit the [Contact Us](#) section for any non-product compliance questions.

**Search Parts in this Series**

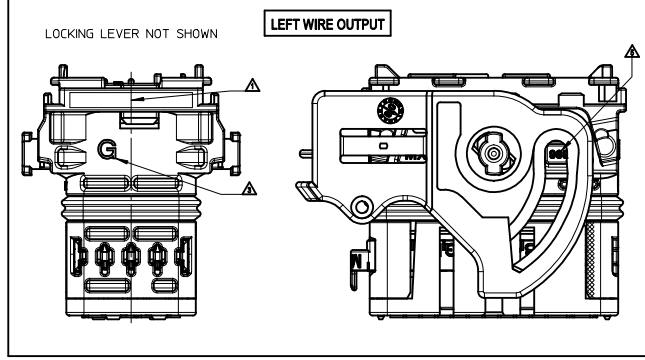
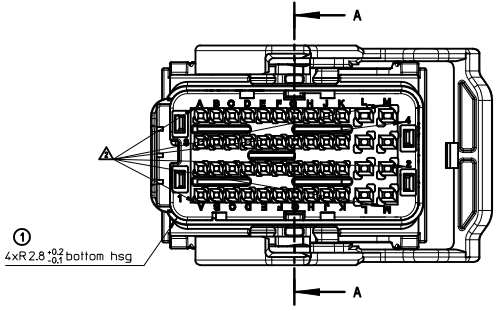
[64320Series](#)

**Mates With**

[36638 CMC Header](#)

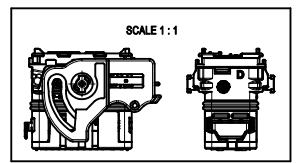
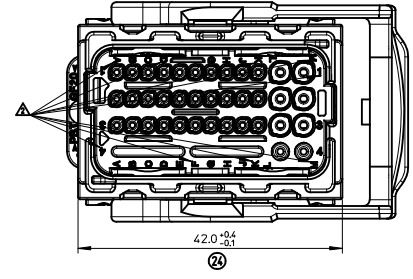
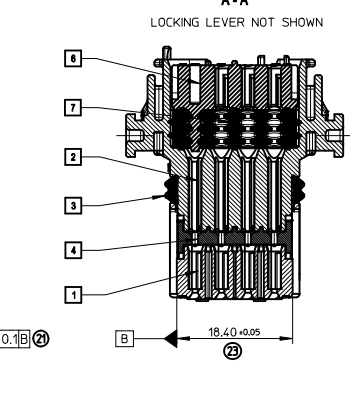
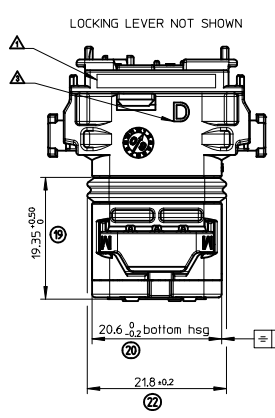
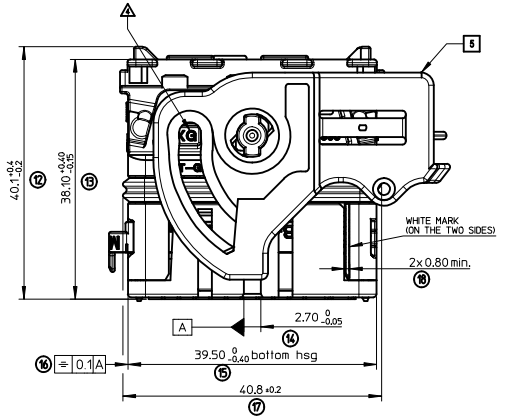
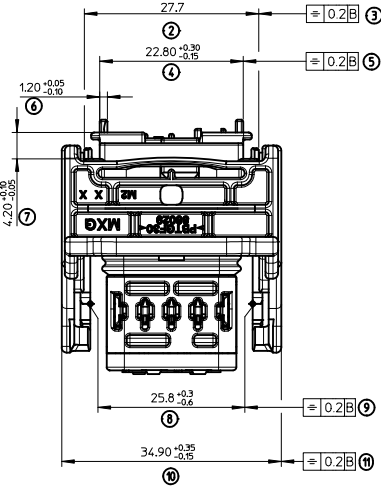
**Use With**

CMC CP Female Terminal [64322](#) , [64323](#).  
 Circuit Way Plugs [643251010](#) , [643251023](#).  
 CMC Wire Cap [643201301](#). CMC 48 Circuit Header [36638](#)



LINE N°1 CLOSED  
YELLOW BACK GRID VERSION

LEFT WIRE OUTPUT		RIGHT WIRE OUTPUT	
MATERIAL NUMBER	COLOR	MATERIAL NUMBER	COLOR
0643202311	BLACK	0643204311	BLACK
0643202319	BROWN	0643204319	BROWN



**NOTES:**

- FOR ILLUSTRATION PURPOSE THE FEMALE HOUSING SHOWN IS: THE RIGHT WIRE OUTPUT VERSION CODING 1
- APPLICATION SPECIFICATION: AS-64319-001
- WIRES EXTERNAL DIAMETER USED:  
FOR CP0.6 TERMINAL: USED WIRES WITH AN EXTERNAL DIAMETER BETWEEN Ø1.25MM MIN AND Ø1.90MM MAX  
FOR CP15 TERMINAL: USED WIRES WITH AN EXTERNAL DIAMETER BETWEEN Ø1.40MM MIN AND Ø2.80MM MAX
- THE CONNECTOR FITS WITH WIRE CAP (48 WAY) MOLEX P/N 0643201301
- BLIND PLUG FOR 04 AND 15 CAVITIES (MOLEX P/N 0643251010 AND 0643251023) MUST BE USED ON THIS PART.
- DELIVERED PRODUCT WEIGHT: 33.8 g

POS.	DESIGNATION	MATERIAL	COLOR
7	MAT SEAL	SILICON	BLUE
8	BACK GRID 36W	>PBT-GF20<	YELLOW
9	LOCKING LEVER 48W	>PBT-GF30<	BLACK
4	SECONDARY LOCK	>PBT-GF20<	GREY
3	PERIPHERAL SEAL 48W	SILICON	RED
2	BACK PART	>PBT-GF20<	BLACK
1	FRONT PART	>PBT-GF20<	BLACK

COLOR LINKED TO KEYING

**MARKINGS :**

- Assembled part tracability: Day + Year
- Terminal cavities identification
- Lever position indicator: 'D' LETTER VISIBLE = Part with 'LEVER ON THE RIGHT' 'G' LETTER VISIBLE = Part with 'LEVER ON THE LEFT'
- Supplier identification
- Material identification

UPDATED DRAWING  
EC NO: DRWINGDESBUCHER 2009/06/03  
CHKDC. BOUCHAN  
APPR:

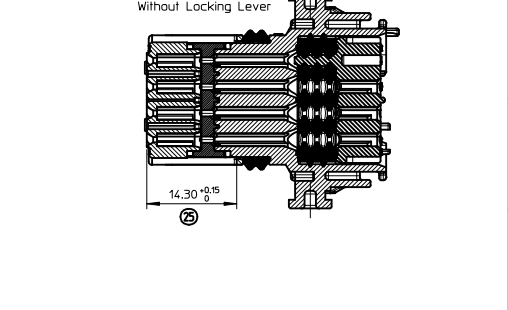
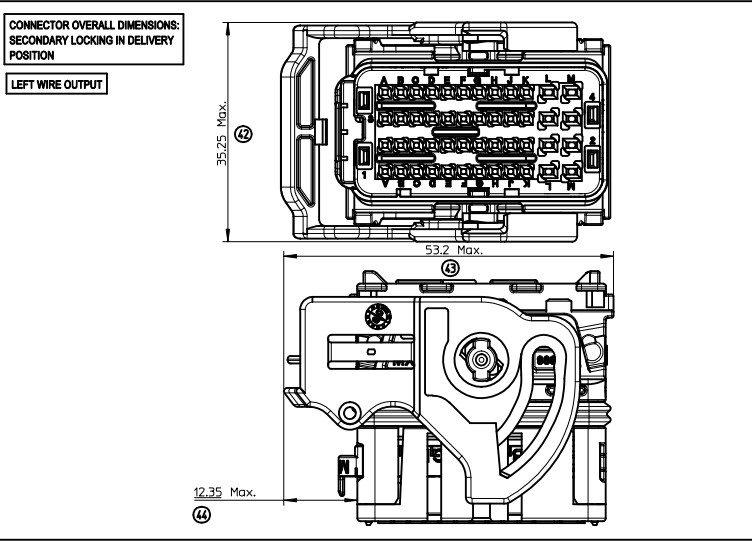
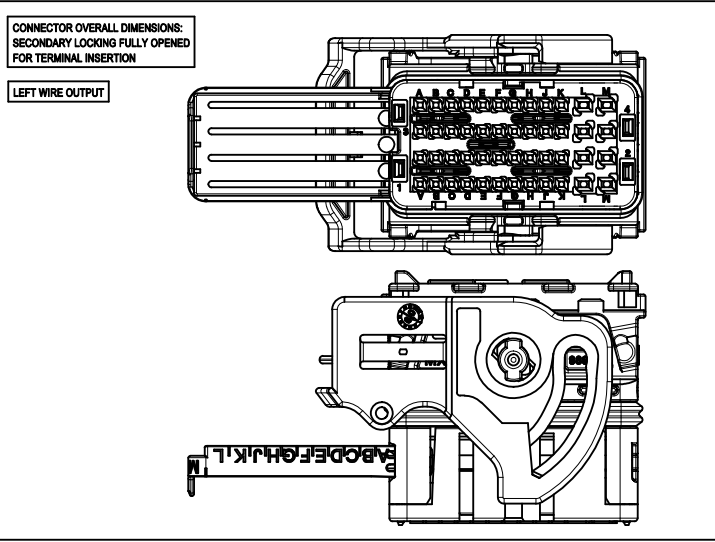
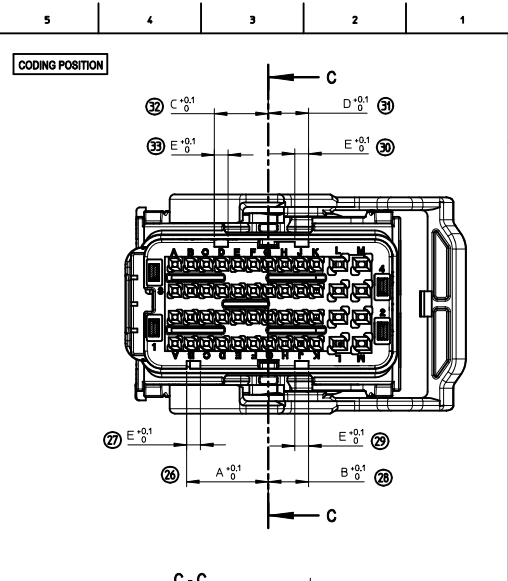
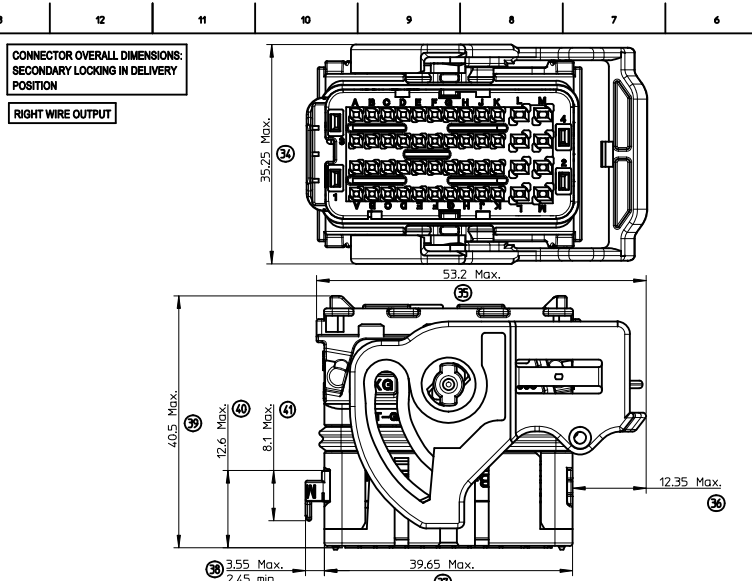
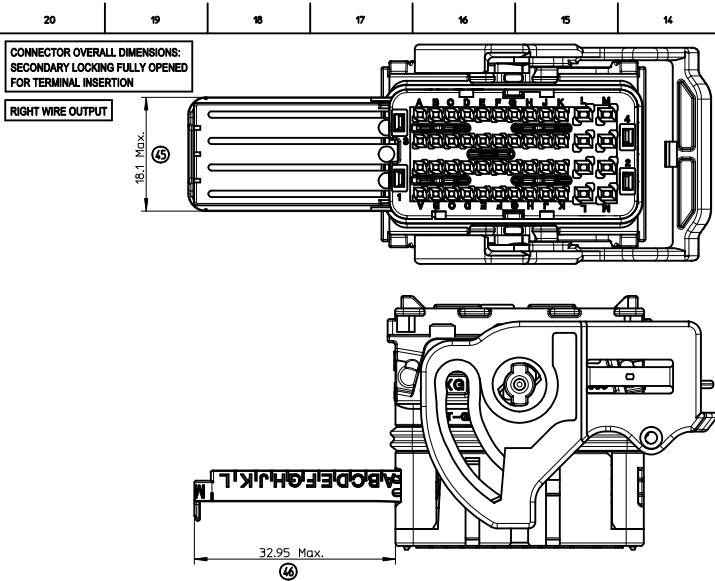
GENERAL TOLERANCES (UNLESS SPECIFIED)	
mm	INCH
4 PLACES ± ---	± ---
3 PLACES ± ---	± ---
2 PLACES ± 0.1	± ---
1 PLACE ± 0.1	± ---

ANGULAR ± 2°

DRAFT WHERE APPLICABLE MUST REMAIN WITHIN DIMENSIONS

DIMENSION STYLE		SCALE	DESIGN UNITS	FIRST ANGLE PROJECTION
MM ONLY		2.5:1	METRIC	
DRAWN BY	DATE	TITLE		
T. BADAROUX	2008/05/23	CMC CONNECTOR 36 WAY MAT SEAL VERSION		
CHECKED BY	DATE	MOLEX INCORPORATED		
P. GRANDCLAUD	2008/05/23	SD-64320-003		
APPROVED BY	DATE	SHEET NO. 1 OF 2		
C. BOUCHAN	2008/05/23			

THIS DRAWING CONTAINS INFORMATION THAT IS PROPRIETARY TO MOLEX INCORPORATED AND SHOULD NOT BE USED WITHOUT WRITTEN PERMISSION



COLOR	KEYING	A	B	C	D	E
BLACK	1	13	6.4	8.6	6.4	2.2
GREY	2	10.8	8.6	13	8.6	2.2
BROWN	3	8.6	10.8	13	13	2.2
GREEN	4	10.8	13	6.4	6.4	2.2

TERMINALS USED				
CAVITY N°	FEMALE TERMINALS (Section mm2)	PLATING	MOLEX P/N*	min / MAX WIRE INSULATION DIAMETER (mm)
A1 to K1 A2 to K2 A3 to K3 A4 to K4	CP 0.6 0.35mm2	Tin plated	0643221019	Ø1.25 min / Ø1.40 Max
		Gold plated	0643221229	
	CP 0.6 0.5mm2	Tin plated	0643221039	Ø1.40 min / Ø1.70 Max
		Gold plated	0643221239	
L1 to L4 M1 to M4	CP 0.6 0.75mm2	Tin plated	0643221029	Ø1.60 min / Ø1.90 Max
		Gold plated	0643221219	
	CP 15 0.5mm2 to 1mm2	Tin plated	0643231319	Ø1.40 min / Ø2.15 Max
		Gold plated	0643231039	
CP 15 >1mm2 to 2mm2	Tin plated	0643231039	Ø2.10 min / Ø2.80 Max	
	Gold plated	0643231219		

UPDATED DRAWING  
EC NO: D  
DRAWING REVISIONS: 2009/06/03  
CHK: C. BOUCHAN  
APPR: [REDACTED]

GENERAL TOLERANCES (UNLESS SPECIFIED)

	mm	INCH
4 PLACES	± 0.1	± 0.004
3 PLACES	± 0.15	± 0.006
2 PLACES	± 0.2	± 0.008
1 PLACE	± 0.3	± 0.012

ANGULAR ± 2°

DRAFT WHERE APPLICABLE MUST REMAIN WITHIN DIMENSIONS

DIMENSION STYLE  
MM ONLY

SCALE  
2.5:1

DESIGN UNITS  
METRIC

FIRST ANGLE PROJECTION

TITLE  
CMC CONNECTOR 36 WAY  
MAT SEAL VERSION

DATE  
2008/05/23

APPROVED BY  
C. BOUCHAN

DATE  
2008/05/23

MATERIAL NO.  
SD-64320-003

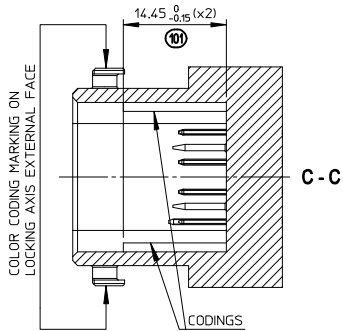
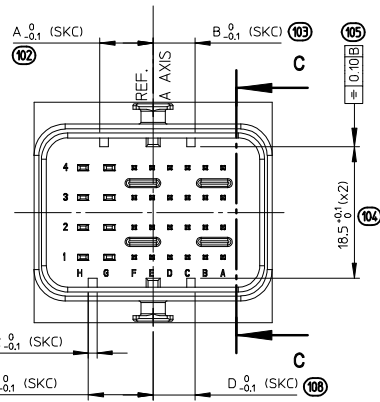
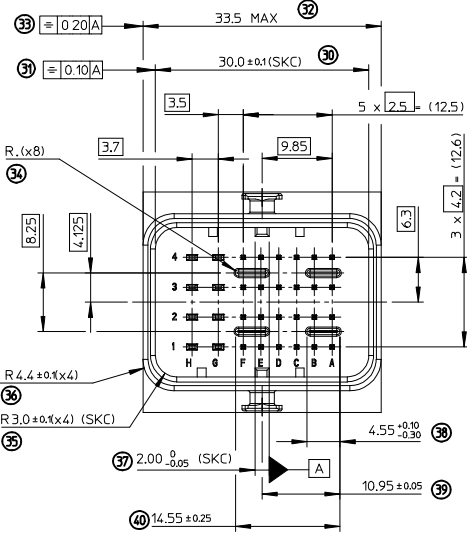
DOCUMENT NO.  
SD-64320-003

SHEET NO.  
2 OF 2

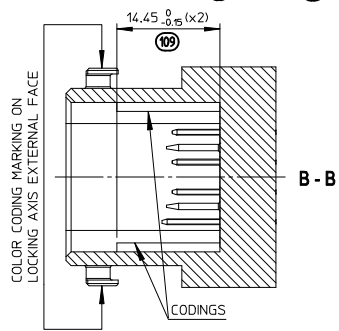
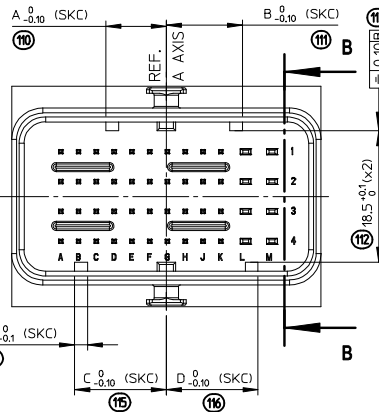
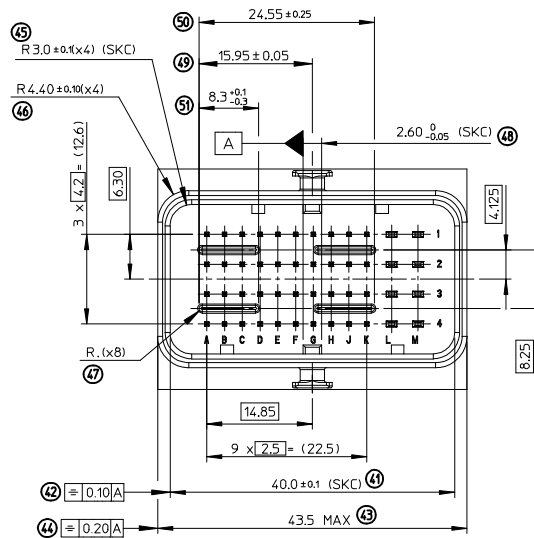
MOLEX INCORPORATED

THIS DRAWING CONTAINS INFORMATION THAT IS PROPRIETARY TO MOLEX INCORPORATED AND SHOULD NOT BE USED WITHOUT WRITTEN PERMISSION

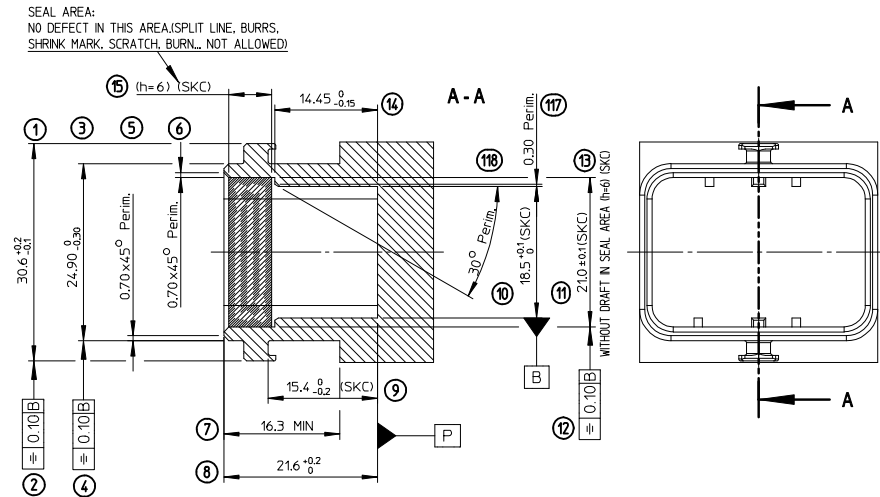
**INTERFACE FOR HYBRID MODULE T2 (32 WAY)**



**INTERFACE FOR HYBRID MODULE T3 (48 WAY)**



**INTERFACES FOR HYBRID MODULES T2 (32 WAY) AND T3 (48 WAY)**



**HEADERS CODINGS**

(CODING 2 SHOWN)

HEADER'S CODINGS FOR MODULE T2 (32W)					
COLOR	CODINGS	DIM. A	DIM. B	DIM. C	DIM. D
BLACK	1	9.1	4.3	5.9	4.3
GREY	2	7.5	5.9	9.1	5.9
BROWN	3	5.9	7.5	9.1	9.1
GREEN	4	7.5	9.1	4.3	4.3
BLUE	5	4.3	7.5	5.9	5.9
YELLOW	6	9.1	7.5	4.3	7.5

(CODING 3 SHOWN)

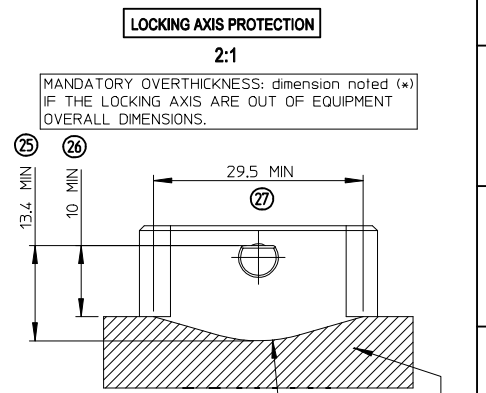
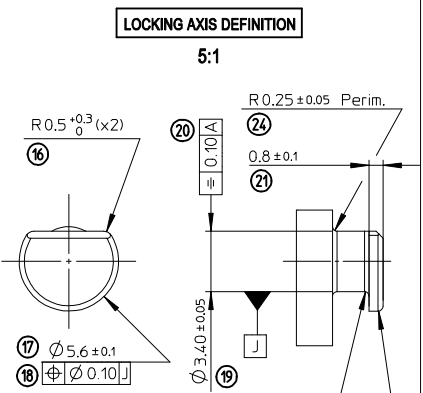
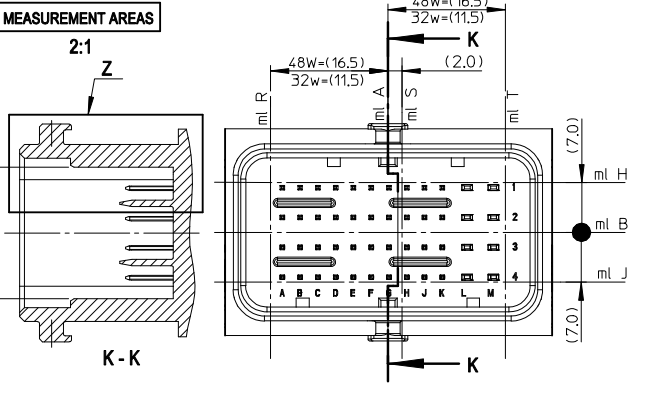
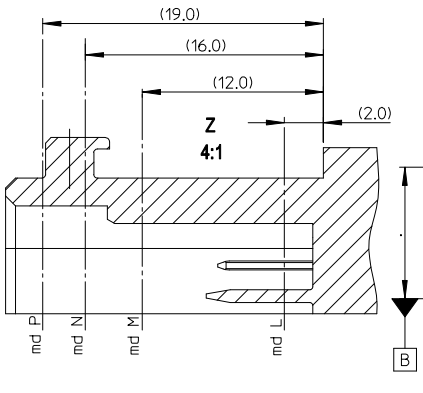
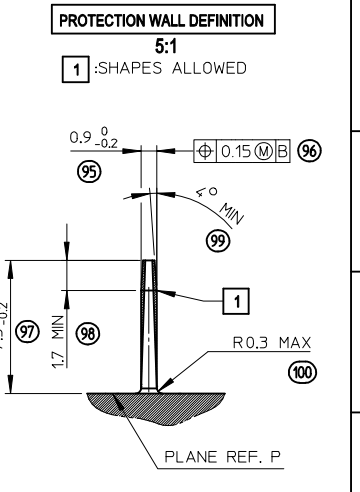
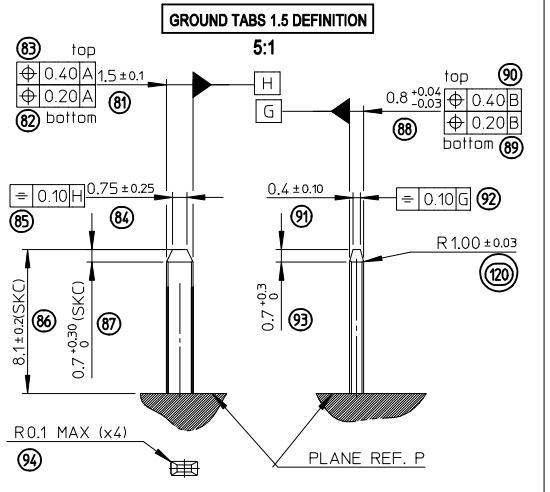
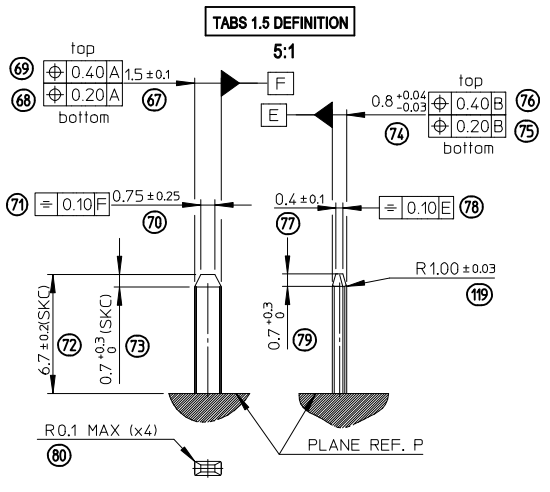
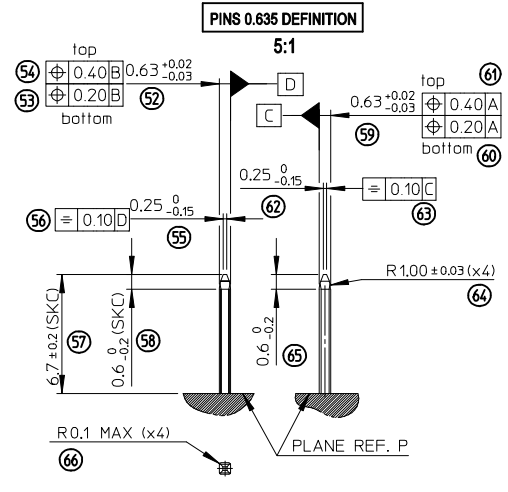
HEADER'S CODINGS FOR MODULE T3 (48W)					
COLOR	CODINGS	DIM. A	DIM. B	DIM. C	DIM. D
BLACK	1	12.9	6.3	8.5	6.3
GREY	2	10.7	8.5	12.9	8.5
BROWN	3	8.5	10.7	12.9	12.9
GREEN	4	10.7	12.9	6.3	6.3
BLUE	5	6.3	10.7	8.5	8.5
YELLOW	6	12.9	10.7	6.3	10.7

(SKC) SPECIAL KEY CHARACTERISTIC  
 QUANTITY PER INDIVIDUAL SHEET  
 (SKC) = 20

**NOTE:**

1- HEADER: ELASTICITY MODULUS: 8000Mpa min.  
 (INITIAL CONDITION BEFORE AGEING)

REVISED EC NO: GZ009-0185 DRWN: GDESBRUERES 2008/12/10 CHKD: J.GIURIATO 2008/12/11 APPR: O.PLESSIS 2008/12/15	DESCRIPTION GENERAL TOLERANCES (UNLESS SPECIFIED) 4 PLACES ± --- ± --- 3 PLACES ± --- ± --- 2 PLACES ± 0.10 ± --- 1 PLACE ± 0.10 ± --- ANGULAR ± 2° DRAFT WHERE APPLICABLE MUST REMAIN WITHIN DIMENSIONS	DIMENSION STYLE MM ONLY	SCALE 2:1	DESIGN UNITS METRIC	FIRST ANGLE PROJECTION
		DRAWN BY G. DESBRUERES 2008/10/02	DATE 2008/10/02	CHECKED BY J. GIURIATO 2008/10/03	DATE 2008/10/03
MATERIAL NO. N/A		TITLE INTERFACES FOR MODULES 32 & 48 CKT CMC GENERIC SALES DRAWING		MOLEX INCORPORATED	
SIZE A2		THIS DRAWING CONTAINS INFORMATION THAT IS PROPRIETARY TO MOLEX INCORPORATED AND SHOULD NOT BE USED WITHOUT WRITTEN PERMISSION		DOCUMENT NO. SD-98644-006	SHEET NO. 1 OF 3



#### T2 (32W)

POS N°	NOMINAL DIM.	MEASURE LINE ml	MEASURE DEPTH md
1	30.6 +0.20/-0.10		
3	24.9 0/-0.30	A, R, T	M, P
	24.5 MIN 24.9 MAX	A, R, T	L
8	21.6 ±0.20/0	MIN / MAX	
10	18.5 ±0.10/0	A	L, M
11	21.0 ±0.10	A, R, S, T	N, P
	20.8 MIN 21.1 MAX	R, S, T	L
30	30 ±0.10	B, H, J	N, P
	29.8 MIN 30.1 MAX	B, H, J	L
32	33.5 MAX	B, H, J	P
35	R3.0 ±0.10		L, N, P
37	2.0 0/-0.05		L, M
102-103-107-108	SEE CHART SHEET 1	CODING	L, M
104	18.5 ±0.10/0	CODING	L, M
106	1.2 0/-0.10	CODING	L, M

#### T3 (48W)

POS N°	NOMINAL DIM.	MEASURE LINE ml	MEASURE DEPTH md
1	30.6 +0.20/-0.10		
3	24.9 0/-0.30	A, R, T	M, P
	24.5 MIN 24.9 MAX	A, R, T	L
8	21.6 ±0.20/0	MIN / MAX	
10	18.5 ±0.10/0	A	L, M
11	21.0 ±0.10	A, R, S, T	N, P
	20.8 MIN 21.1 MAX	R, S, T	L
41	40 ±0.10	B, H, J	N, P
	39.8 MIN 40.1 MAX	B, H, J	L
43	43.5 MAX	B, H, J	P
45	R3.0 ±0.10		L, N, P
48	2.6 0/-0.05		L, M
110-111-115-116	SEE CHART SHEET 1	CODING	L, M
112	18.5 ±0.10/0	CODING	L, M
114	1.8 0/-0.10	CODING	L, M

MEASUREMENT CHARTS FOR INTERFACES SIZES T2 / T3

REVISED  
EC NO: G2009-0185  
DRAWN: GDEBRUERES 2008/12/10  
CHKD: J. GIURIATO 2008/12/11  
APPR: O.PLESSIS 2008/12/15

GENERAL TOLERANCES (UNLESS SPECIFIED)

	mm	INCH
4 PLACES ±	---	---
3 PLACES ±	---	---
2 PLACES ±	0.10	---
1 PLACE ±	0.10	---

ANGULAR ± 2°

DRAFT WHERE APPLICABLE MUST REMAIN WITHIN DIMENSIONS

DIMENSION STYLE  
**MM ONLY**

DRAWN BY: G. DESBRUERES 2008/10/02  
DATE: 2008/10/02

CHECKED BY: J. GIURIATO 2008/10/03  
DATE: 2008/10/03

APPROVED BY: O. PLESSIS 2008/10/06  
DATE: 2008/10/06

MATERIAL NO. N/A

SCALE: 1:1  
DESIGN UNITS: METRIC  
FIRST ANGLE PROJECTION

TITLE: INTERFACES FOR MODULES 32 & 48 CKT CMC  
GENERIC SALES DRAWING

MOLEX INCORPORATED

DOCUMENT NO. SD-98644-006  
SHEET NO. 2 OF 3

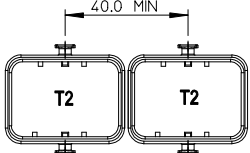
THIS DRAWING CONTAINS INFORMATION THAT IS PROPRIETARY TO MOLEX INCORPORATED AND SHOULD NOT BE USED WITHOUT WRITTEN PERMISSION

# CONNECTOR ON HEADER - OVERALL DIMENSIONS

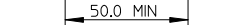
MULTI-HEADERS LAYOUT

### LAYOUT FOR TWO INTERFACES T2 (32W)

FOR SAME HARNESS EXIT CONFIGURATION

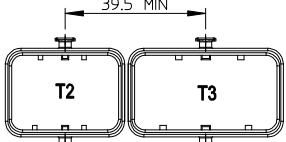


FOR OPPOSITE HARNESS EXIT CONFIGURATION

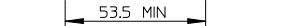


### LAYOUT FOR TWO INTERFACES T2 (32W) AND T3 (48W)

FOR SAME HARNESS EXIT CONFIGURATION

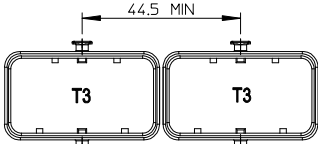


FOR OPPOSITE HARNESS EXIT CONFIGURATION



### LAYOUT FOR TWO INTERFACES T3 (48W)

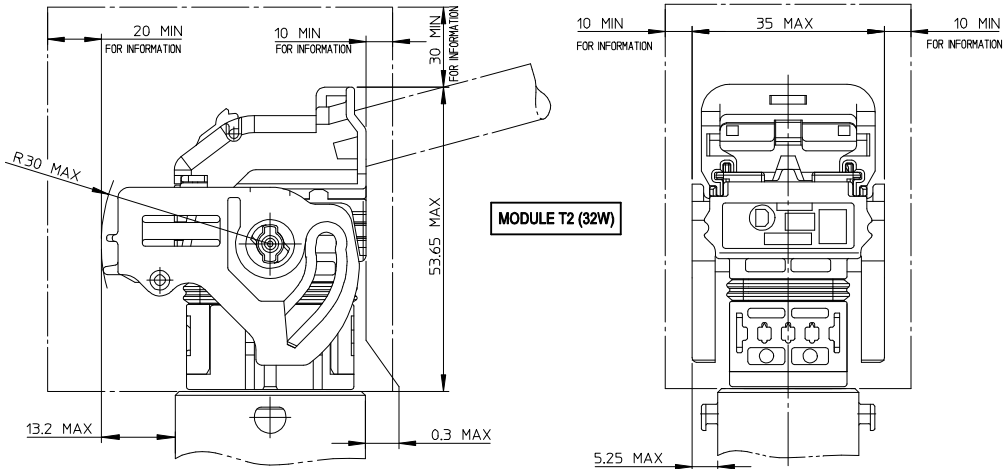
FOR SAME HARNESS EXIT CONFIGURATION



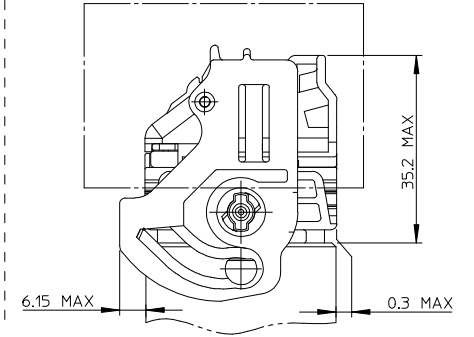
FOR OPPOSITE HARNESS EXIT CONFIGURATION



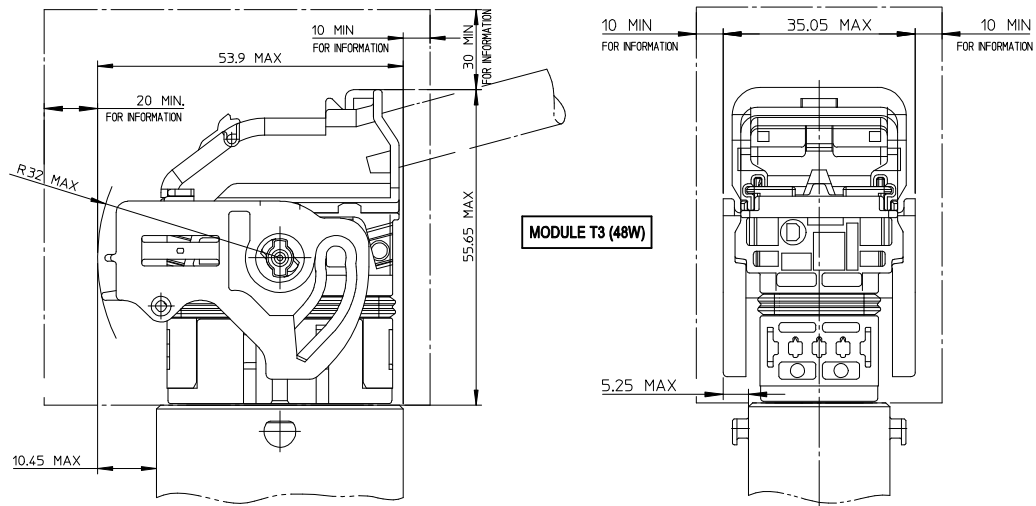
### UNLOCKED CONNECTOR - OVERALL DIMENSIONS



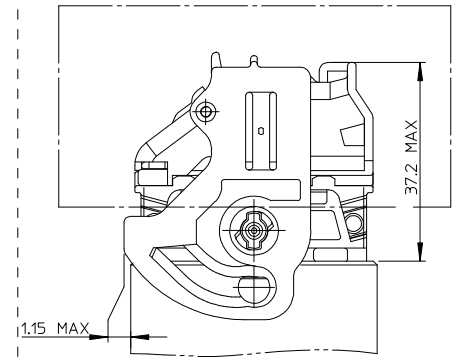
### LOCKED CONNECTOR - OVERALL DIMENSIONS



### UNLOCKED CONNECTOR - OVERALL DIMENSIONS



### LOCKED CONNECTOR - OVERALL DIMENSIONS



### LEGEND:



FREE VOLUME FOR MANUAL LOCKING AND UNLOCKING  
DIMENSIONS GIVEN FOR INFORMATION ONLY TO BE  
CONFIRMED BASED UPON VEHICLE CONFIGURATION.

(SKC) SPECIAL KEY CHARACTERISTIC

QUANTITY PER INDIVIDUAL SHEET

(SKC) = 0

### NOTE:

1- T2 = 32 WAY / T3 = 48 WAY

REVISED  
ECL NO: G2009-0185  
DRAWING: DESBRUERES 2008/12/10  
CHKO: J.GIURIATO 2008/12/11  
APPR: PLESSIS 2008/12/15

DESCRIPTION

### GENERAL TOLERANCES (UNLESS SPECIFIED)

	mm	INCH
4 PLACES	± 0.10	± 0.004
3 PLACES	± 0.15	± 0.005
2 PLACES	± 0.20	± 0.008
1 PLACE	± 0.30	± 0.012
ANGULAR ± 2°		

DRAFT WHERE APPLICABLE  
MUST REMAIN  
WITHIN DIMENSIONS

### DIMENSION STYLE

MM ONLY	DATE
DRAWN BY	G. DESBRUERES 2008/10/02
CHECKED BY	J. GIURIATO 2008/10/03
APPROVED BY	O. PLESSIS 2008/10/06
MATERIAL NO.	N/A

### SCALE

1:1

### DESIGN UNITS

METRIC

### FIRST ANGLE PROJECTION

INTERFACES FOR MODULES  
32 & 48 CKT CMC  
GENERIC SALES DRAWING



MOLEX INCORPORATED

DOCUMENT NO.

SD-98644-006

SHEET NO.

3 OF 3

SIZE

A2

THIS DRAWING CONTAINS INFORMATION THAT IS PROPRIETARY TO MOLEX INCORPORATED AND SHOULD NOT BE USED WITHOUT WRITTEN PERMISSION