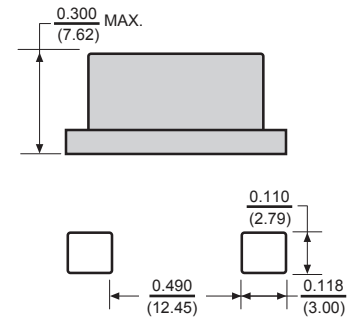
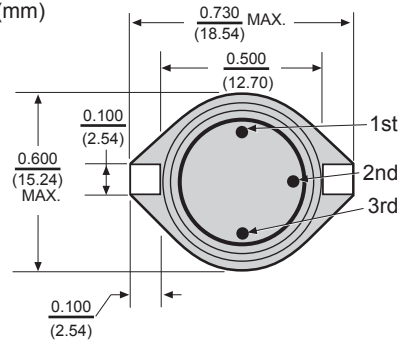




# Power Chip Shielded Inductors PCIS60

Dimensions:  $\frac{\text{Inches}}{\text{(mm)}}$



Allied Part Number	Inductance ( $\mu\text{h}$ )	DCR Max. ( $\Omega$ )	SRF Reference (MHz)	Isat (A)	Irms (A)
PCIS60-100M-RC	10	.040	24	5.50	3.9
PCIS60-150M-RC	15	.048	16	4.50	3.4
PCIS60-220M-RC	22	.059	14	3.50	3.1
PCIS60-330M-RC	33	.075	11	3.30	2.8
PCIS60-470M-RC	47	.097	8.0	2.70	2.4
PCIS60-680M-RC	68	0.14	7.0	2.20	2.0
PCIS60-101M-RC	100	0.21	5.5	1.70	1.7
PCIS60-151M-RC	150	0.30	4.8	1.30	1.3
PCIS60-221M-RC	220	0.47	4.0	1.10	1.1
PCIS60-331M-RC	330	0.78	3.0	0.86	0.86
PCIS60-471M-RC	470	1.08	2.4	0.73	0.73
PCIS60-681M-RC	680	1.40	2.0	0.64	0.64
PCIS60-102M-RC	1000	2.01	1.0	0.53	0.53

## Features

- Magnetically shielded
- High saturation current ratings up to 5.5 Amps with Irms current ratings up to 3.9 Amps.
- Low DCR for minimal power loss.
- Designed with high heat resistant materials for reflow operation.
- Flat top for pick and place assembly
- Wrap around terminals for excellent solder quality and inspection.

## Electrical

**Inductance Range:** 10 $\mu\text{h}$  to 1000 $\mu\text{h}$ .

**Tolerance:**  $\pm 20\%$  over the entire inductance range.

**Test Frequency:** Inductance measured at 100KHz, 0.1 Vrms.

**Operating Temp. Range:**  $-40^{\circ}\text{C}$  to  $+85^{\circ}\text{C}$ .

**Inductance Drop:** 10% typical at rated Isat.

**Temperature Rise:**  $\Delta T=40^{\circ}\text{C}$  rise typical at Irms.

## Physical

**Marking:** Color Code using standard EIA three dot system.

**Packaging:** 500 pieces per 13 inch reel.

All specifications subject to change without notice.