

# Service Manual

## Color Television

CHSSIS	MODEL
CP-750	<b>DTT-3250 * -100</b> <b>DTT-3250MT</b>

www.DataSheet4U.com

### Caution

: In this Manual, some parts can be changed for improving. their performance without notice in the parts list. So, if you need the latest parts information, please refer to PPL(Parts Price List)in Service Information Center.

# CONTENTS

1. SPECIFICATION .....	3
2. BLOCK DIAGRAM .....	4
3. EEPROM PRESETTING DATA .....	5
4. ADJUSTMENT METHOD .....	7
5. TROUBLE-SHOOTING .....	9
6. SCHEMATIC DIAGRAM .....	15
7. PRINTED CIRCUIT BOARD .....	18
8. MECHANICAL EXPLODED DIAGRAM .....	24
9. PARTS LIST .....	25

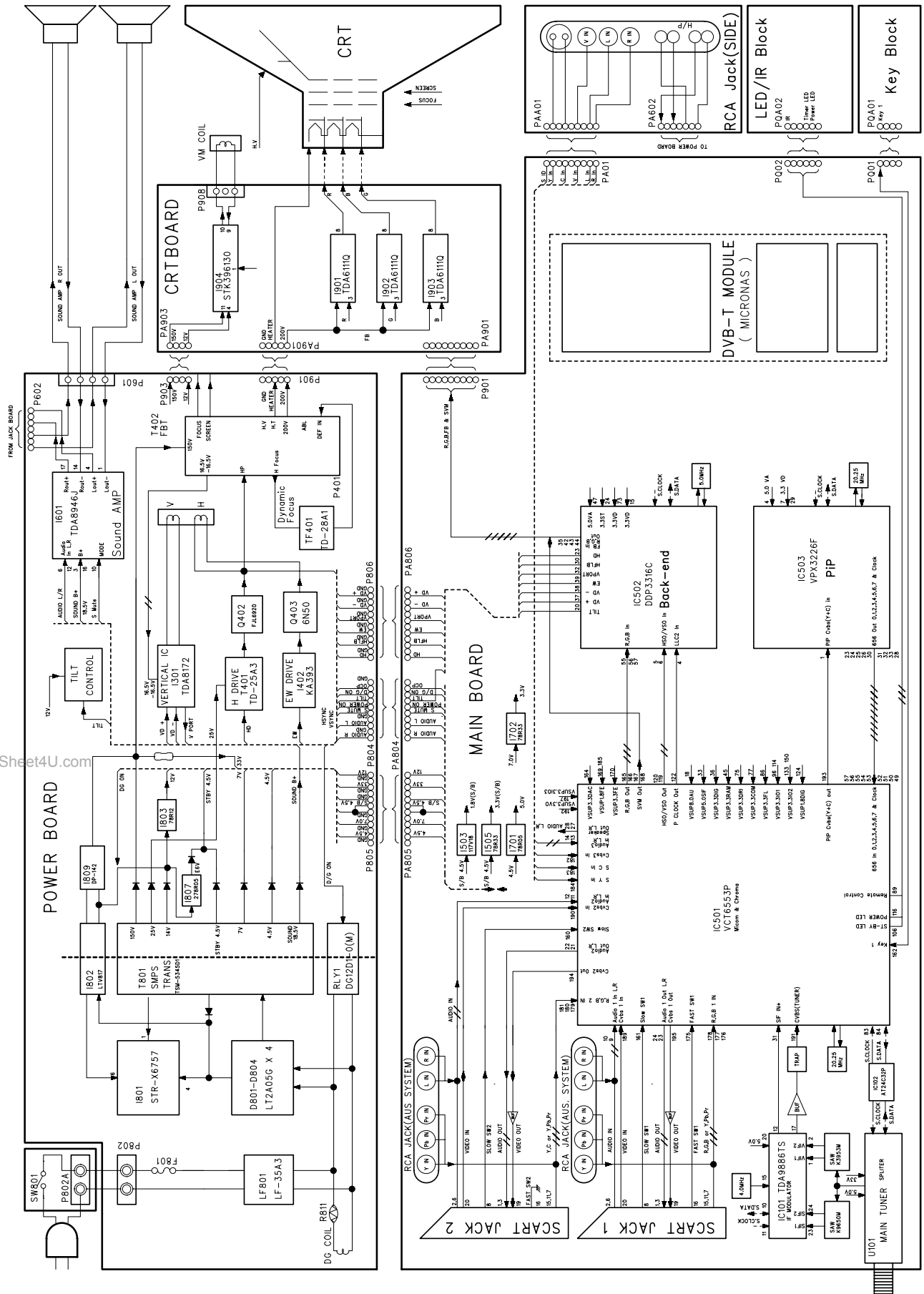
# 1.SPECIFICATION

MODEL		<b>DTT-3250 *</b> <b>DTT-3250MT</b>
ITEM		
POWER SOURCE		AC 220/240V, 50Hz
POWER CONSUMPTION		155W
PICTURE TUBE		76cm
AUDIO OUTPUT		7W(L) + 7W(R), 8 $\Omega$ (DTT-3250 *)
		10W(L) + 10W(R), 8 $\Omega$ (DTT-3250MT)
DIMENSIONS(mm)	H	711(BOX) / 595.5(SET)
	W	1055(BOX) / 930(SET)
	D	515(BOX) / 397(SET)
WEIGHT(kg)		63(GROSS) / 54.5(SET)
RECEPTION CHANNEL	VHF	BAND I : CH2~CH4
		BAND II : CH5~CH12
		CANLE BAND : S1'~S3', S1~S20
	HYPER BAND : S21~S41	
	UHF	BAND IV, V : CH21~CH69
AERIAL(rear)		VHF / UHF
SCART JACK(rear)		AV/1SVHS1: 21pin EURO JACK(AUDIO IN/OUT, VIDEO IN, Y IN, RGB IN, TV OUT) AV2: 21pin EURO JACK(AUDIO IN/OUT, VIDEO IN, YC IN, MONITOR OUT)
RCA JACK(side)		AV3 / SVHS3 : AUDIO IN/OUT, VIDEO IN, S-VIDEO IN

# 2.BLOCK DIAGRAM

www.DataSheet4U.com

# CP-750 BLOCK DIAGRAM



## 3. EEPROM PRESETTING DATA

### CP-750 EEPROM PRESETTING DATA

#### SERVICE MODE I

I. Ver. Geometry(SD)	
1. Ver. Center(SD)	+22
2. Ver. Size(SD)	-222
3. Ver. Lin(SD)	+15
4. Ver. S-Cor(SD)	+96
5. VBST(SD)	-6
6. VBSO(SD)	+26
7. LPFD(SD)	+312
8. VSYNWIN(SD)	+70
9. VPROT(SD)	Yes
10. FLYBL(SD)	+5
11. Ver. Zoom(SD)	+256

II. Hor. Geometry(SD)	
1. Hor. Center(SD)	+17
2. POF3(SD)	-155
3. Hor. Width(SD)	+81
4. Trapeze(SD)	-8
5. Cushion(SD)	-73
6. Angle(SD)	0
7. Bow(SD)	+5
8. HBST(SD)	+1180
9. HBSO(SD)	+185
10. Corner Top(SD)	+12
11. Corner Bottom(SD)	+18
12. Corner Top 6th(SD)	0
13. Corner Bottom 6th(SD)	0

III. Ver. Geometry(HD)	
1. Ver. Center(HD)	+33
2. Ver. Size(HD)	-208
3. Ver. Lin(HD)	0
4. Ver. S-Cor(HD)	+120
5. VBST(HD)	-6
6. VBSO(HD)	+25
7. LPFD(SD)	+625
8. VSYNWIN(HD)	+127
9. VPROT(HD)	Yes
10. FLYBL(HD)	+5
11. Ver. Zoom(HD)	+256

IV. Hor. Geometry(HD)	
1. Hor. Center(HD)	+34
2. POF3(HD)	-155
3. Hor. Width(HD)	+49
4. Trapeze(HD)	-103
5. Cushion(HD)	-143
6. Angle(HD)	+2
7. Bow(HD)	+9
8. HBST(HD)	+1180
9. HBSO(HD)	+180
10. Corner Top(HD)	-36
11. Corner Bottom(HD)	+103
12. Corner Top 6th(HD)	+66
13. Corner Bottom 6th(HD)	-24

www.DataSheet4U.com

V. Ver. Geometry(COMP)	
1. Ver. Pos(COMP)	+33
2. Ver. Amp(COMP)	-208
3. Ver. Lin(COMP)	0
4. Ver. S-Cor(COMP)	+120
5. VBST(COMP)	-6
6. VBSO(COMP)	+25
7. LPFD(COMP)	+625
8. VSYNWIN(COMP)	+127
9. VPROT(COMP)	Yes
10. FLYBL(COMP)	+5
11. Ver. Zoom(COMP)	+256

VI. Hor. Geometry(COMP)	
1. POF2(COMP)	+34
2. POF3(HD)	-155
3. Pic. Width(COMP)	+49
4. Trapeze(COMP)	-103
5. Cush(COMP)	-143
6. Angle(COMP)	+2
7. Bow(COMP)	+9
8. HBST(COMP)	+1180
9. HBSO(COMP)	+180
10. CRNU(COMP)	-36
11. CRNL(COMP)	+103
12. CRNUS(COMP)	+66
13. CRNIS(COMP)	-24

## EEPROM PRESETTING DATA

VII. Tube Measurement	
1. CUT_R	+100
2. CUT_G	+100
3. CUT_B	+100
4. WD_R	+400
5. WD_G	+400
6. WD_B	+400
7. CUT_DIS	Yes
8. CUT_GAIN	+60
9. IBRM	+400
10. WDR_DIS	No
11. WDR_GAIN	0
12. WDRM	+160
13. TML	+17
14. MADCLAT	+300

VIII. DDPC 3316_2	
1. EHT Threshold	+200
2. EHTH P1	0
3. EHTH SA1	-26
4. EHTV SA1	-60
5. EHTH P2	+7
6. EHTH SA2	-10
7. EHTV SA2	-30
8. EHT STC	+20
9. EHT FTC	+80
10. WDR SAT	Yes
11. MAX WDR	+496

VIII. DDPC 3316_1	
1. Brightness	0
2. Contrast	+470
3. Sat for RGB2/YCbCr	+16
4. BCL Threshold	+400
5. BCL Gain	+210
6. PWL Maximum	+300
7. PWL Time Constant	+255
8. PIC_TC	0
9. DC transport	0
10. HDRV	+30
11. H safety protection	No
12. HSTOP	0
13. Screen Bright	-50
14. Screen	0

X. NTSC GEOMETRY	
1. TRAPEZE(NTSC)	+2
2. CUSHION(NTSC)	0
3. Corner Top(NTSC)	0
4. Corner Bottom(NTSC)	0
5. Corner Top 6th(NTSC)	0
6. Corner Bottom 6th(NTSC)	0
7. Lpfd(NTSC)	+213

## SERVICE MODE 2

I. Additional Settings	
1. DYNFOC_Verical(PWMV)	0
2. DYNFOC_HorStart(DFHB)	0
3. DYNFOC_HorStop(DFHE)	0
4. OSD H_Shift	+165
5. OSD H_Shift Split Screen	+220
6. OSD V_Shift	+43
7. OSD Pixel Clock	+72
8. Caption Status Display	No
9. XDS Data Display	No
10. OSD Contrast	+52
11. OSD Bright	-70

III. Options 2	
1. Tuner Type	T6002
2. Show I2C_off	No
3. Show Versions of ICs	
4. DDP PWM Enable	Yes
5. PANORAMA	No
6. Film Mode PAL	No
7. Film Mode NTSC	No

V. Deviation Settings	
1. M Japan	+36
2. BTSC	+36
3. DK Dual	+36
4. BG	+36
5. NICAM L	+36
6. NICAM I	+36
7. DK NICAM	+36
8. FM Radio	+36

II. Options 1	
1. TEXT	TOP/FLOF
2. TUNER	PHILIPS
3. CRT Option	S/S CRT

IV. Audio Options	
1. Equalizer	Yes
2. Show Volume bar	Yes
3. Autostore Volume	No
4. BBE	No
5. Speech	No
6. Volume Limit	+63

VI. NVM Edit	
1. NVM_edit addr.(hex)	----
2. NVM_edit data(hex)	--

VII. Reset TV-set	
1. Initialize NVM from ROM	

## 4. ADJUSTMENT METHOD

### THE ADJUSTMENT METHOD OF CP-750 WITH USER ROMOTE CONTROLLER(R-49C05)

To enter the service mode, press Red button and Green button and MENU key on Ch.91  
Then, Service Mode 1 is displayed. If press MODE key, Service Mode 2 is displayed.

#### CONTROL KEY

MENU	return to former step
OK	exit service mode
PR ▲ / ▼	select item
VOL ▲ / ▼	change value or condition

#### SCREEN ADJUSTMENT

Service Mode 1 --> DDPC 3316\_1 --> Screen

Adjust Screen Volume of FBT until the horizontal line is just disappeared.

#### FOCUS ADJUSTMENT

Adjust with the Focus volume on the FBT until you get the most clear resolution of 350 line and corner of screen.

Focus volume on the FBT is consist of two part - vertical focus and horizontal focus.

#### WHITE BALANCE ADJUSTMENT

##### (1) High-Beam Adjustment

Service Mode 1 --> Tube Measurement --> WD\_R, WD\_G

Adjust R,G bars in the high beam on the instrument may be located in the center.(B DRV is Fixed.)

##### (2) Low-Beam Adjustment

Service Mode 1 --> Tube Measurement --> CUT\_R, CUT\_G

Adjust R,G bars in the low beam on the instrument may be located in the center.(B BIAS is Fixed.)

◆ The reference coordinates are X = 288, Y = 302"

#### VERTICAL CENTER Adjustment

Service Mode 1 --> Vertical Geometry --> Ver. Center

Adjust to harmonize RETMA pattern's upper marking with Lower marking.

#### VERTICL SIZE Adjustment

Service Mode 1 --> Vertical Geometry --> Ver. Size

Adjust so that the Upper and the Lower '4' marks of the RETMA pattern may be located at the boundaries of the screen.

#### HORIZONTAL CENTER Adjustment

Service Mode 1 --> Hor. Geometry --> Hor. Center

Adjust to harmonize the position of RETMA pattern's Left side with Right side.

---

---

## ADJUSTMENT METHOD

---

---

### **HORIZONTAL WIDTH Adjustment**

Service Mode 1 --> Hor. Geometry --> Hor. Width

Adjust so that the Left and the Right '5' marks of the RETMA pattern may be located at the boundaries of the screen.

### **PINCUSHION Adjustment**

#### (1) Parabola Adjustment

Service Mode 1 --> Hor. Geometry --> Cushion

Adjust so that the Left and Right edge's vertical line may be straight.

#### (2) Corner Top/Bottom or Top 6th/Bottom 6th

Service Mode 1 --> Hor. Geometry --> Corner Top/Corner Bottom or Corner Top 6th/Corner Bottom 6th

Adjust so that the Upper and the Lower corner's vertical line may be straight.

#### (3) Trapeze Adjustment

Service Mode 1 --> Hor. Geometry --> Trapeze

#### (4) Angle Adjustment

Service Mode 1 --> Hor. Geometry --> Angle

#### (5) Bow Adjustment

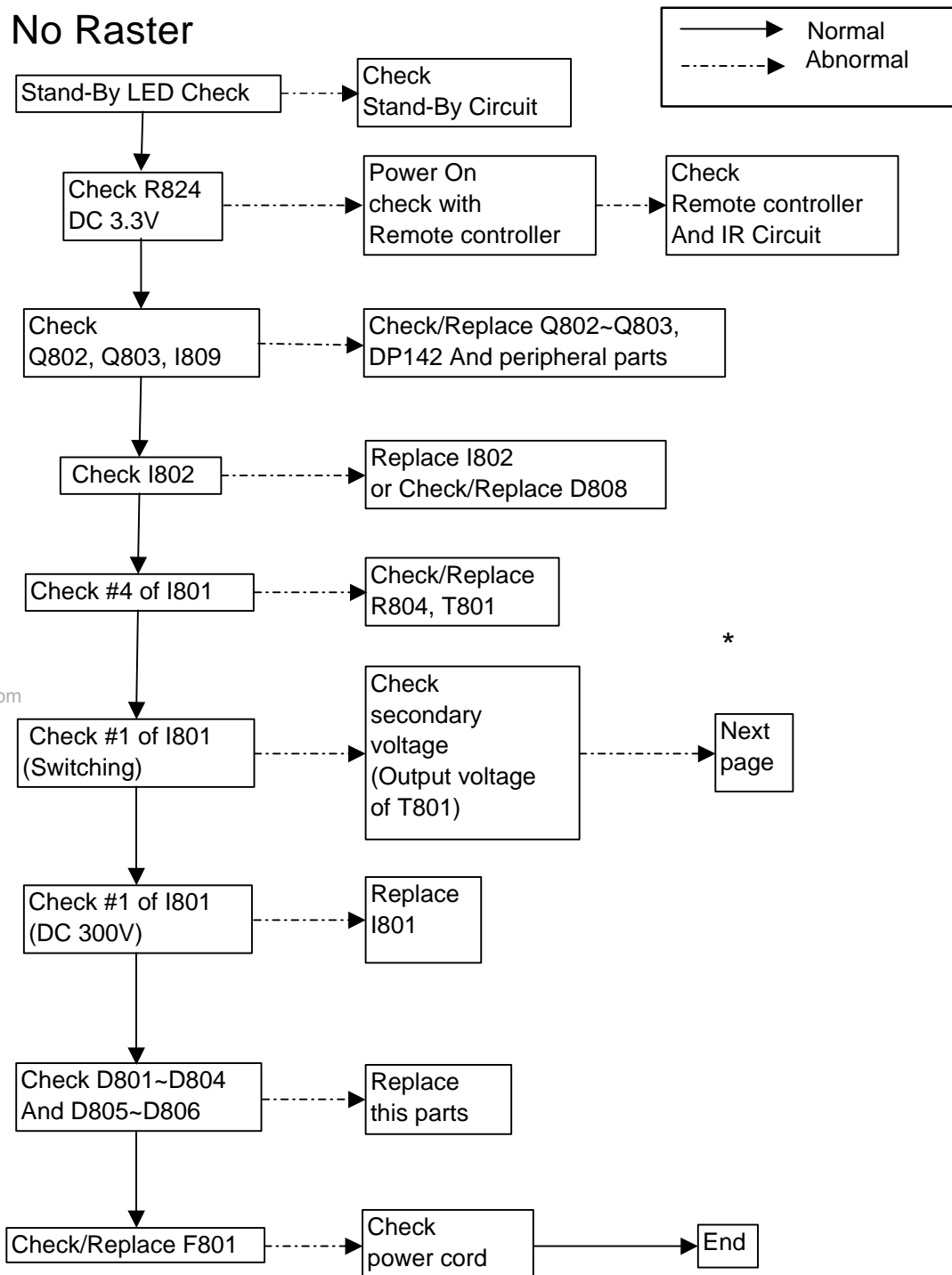
Service Mode 1 --> Hor. Geometry --> Bow



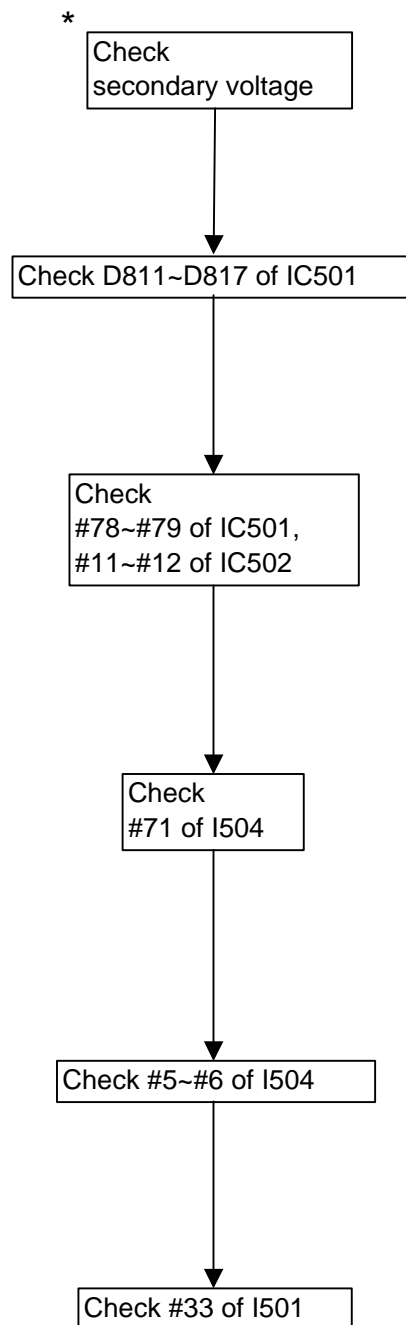
## 5. TROUBLE-SHOOTING

First of all, check the short test of D402, D403 and D408  
 If short D402, change D402 and if short D403 or D408, replace them with I301  
 Other cases, follow this sheet.

### 1. No Raster

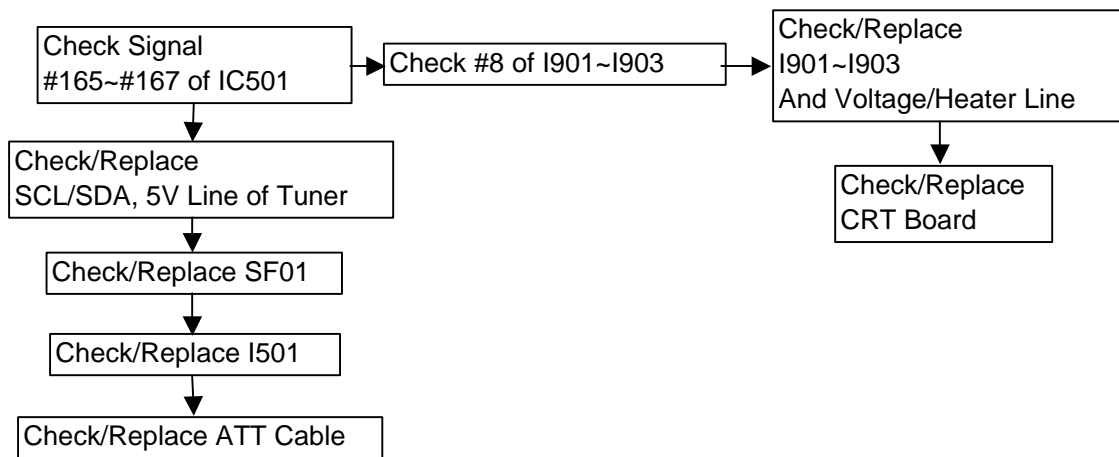


# TROUBLE-SHOOTING

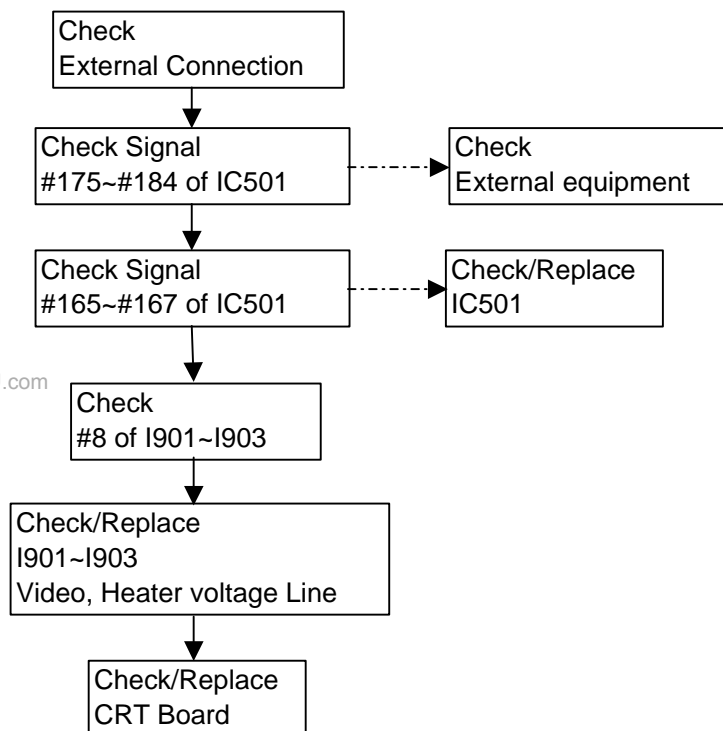


# TROUBLE-SHOOTING

## 2.No Picture(Raster OK)

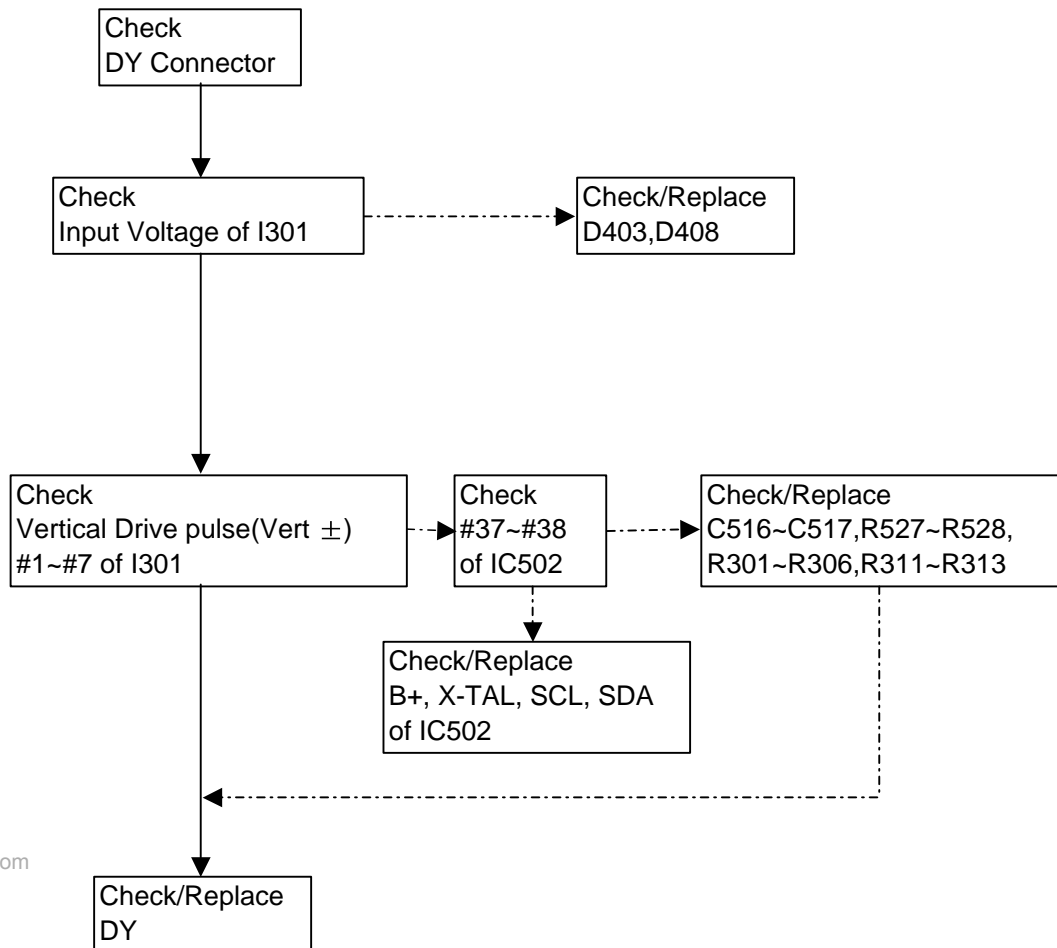


### External AV Mode



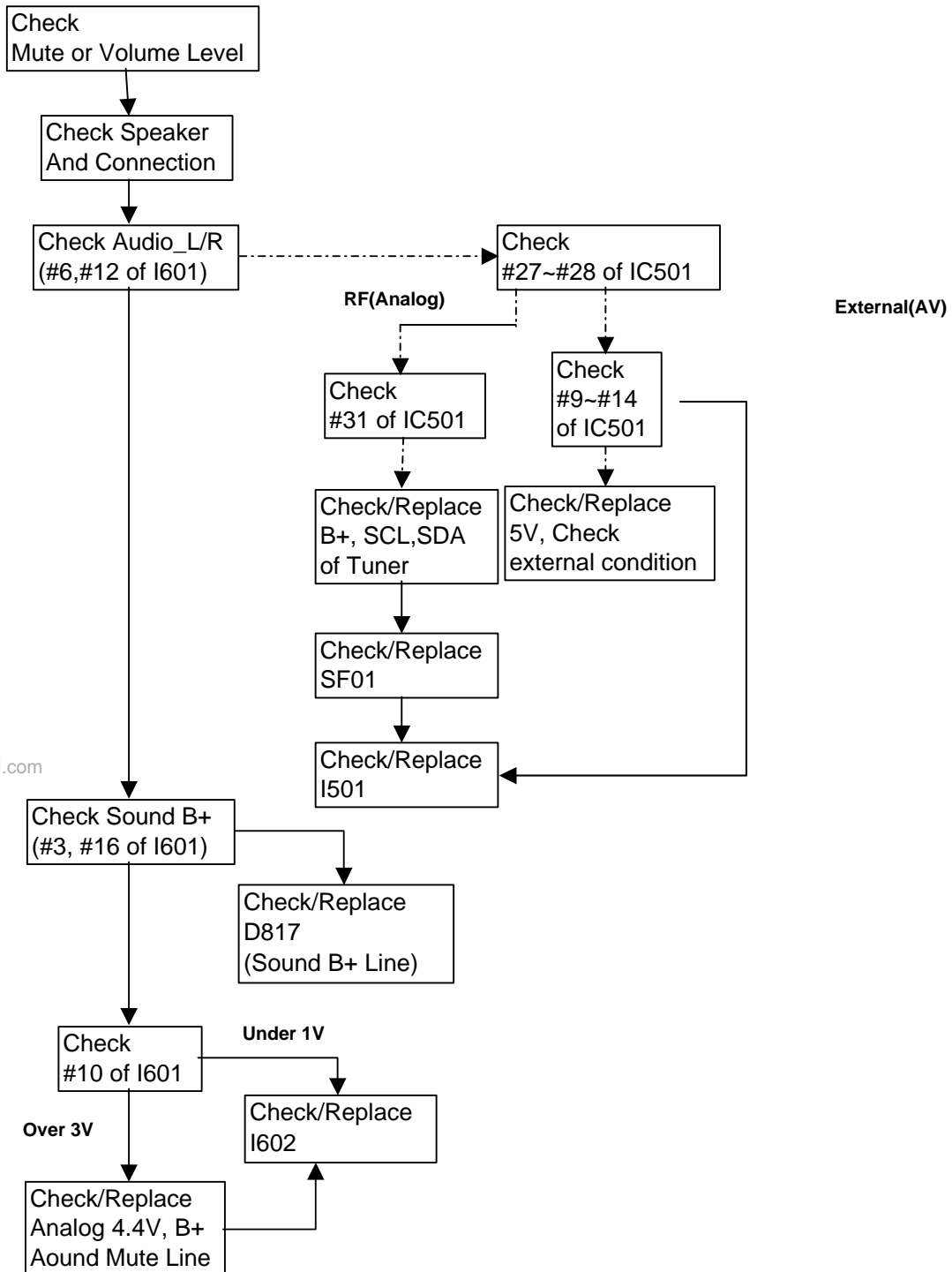
www.DataSheet4U.com

### 3.No Vertical Scanning (One Horizontal Line Raster)

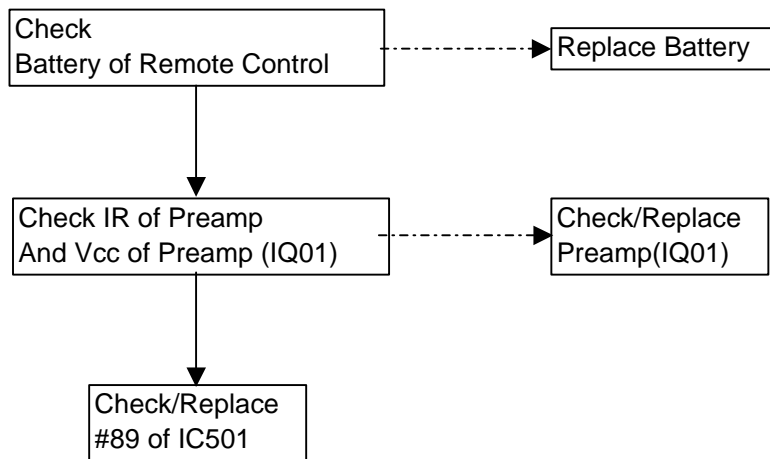


**TROUBLE-SHOOTING**

**4.No Sound**

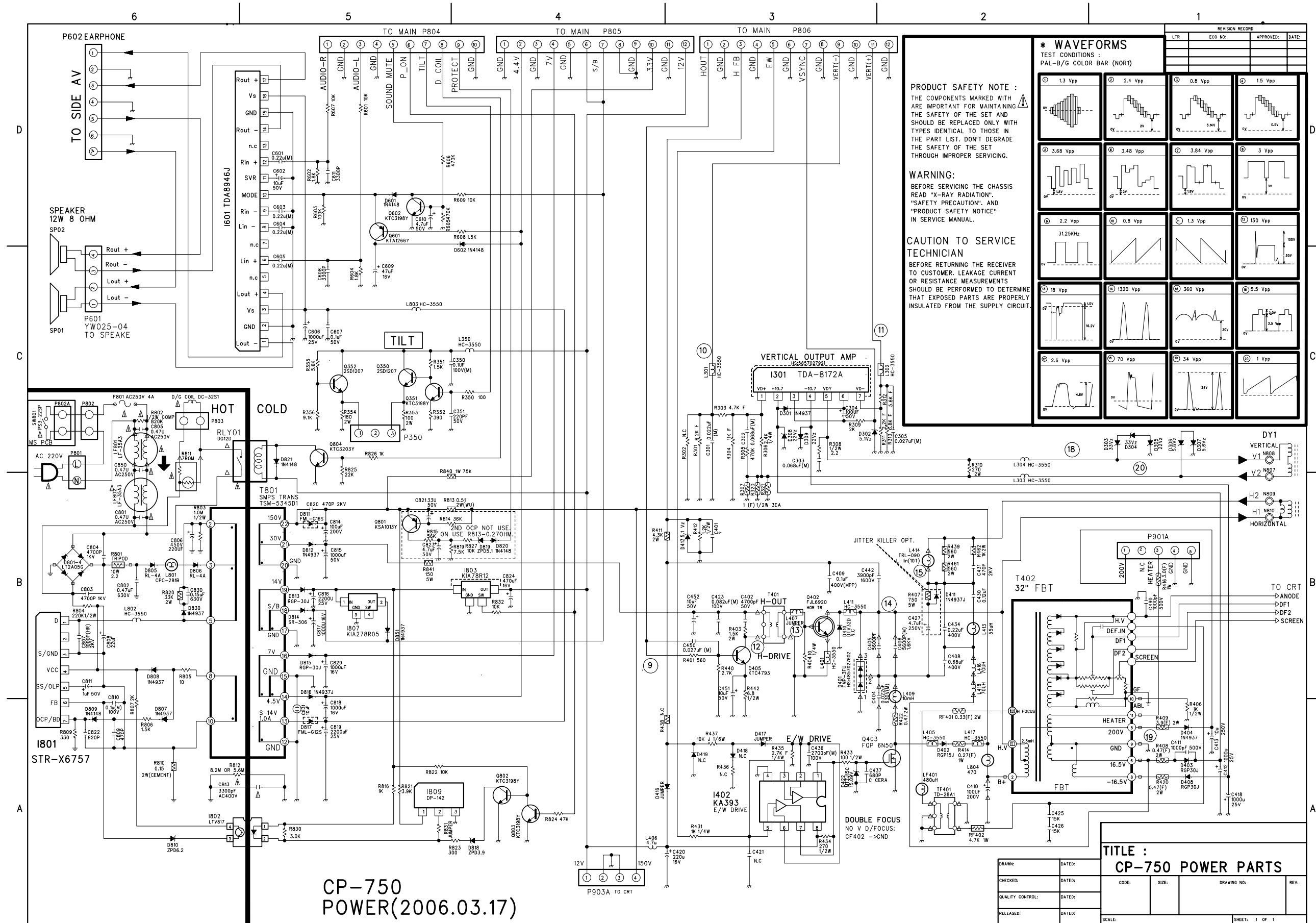


## 5.Remote Control Unit Trouble





# SCHEMATIC DIAGRAM



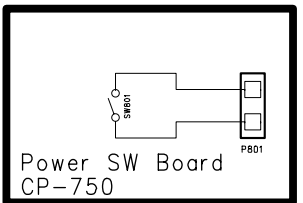
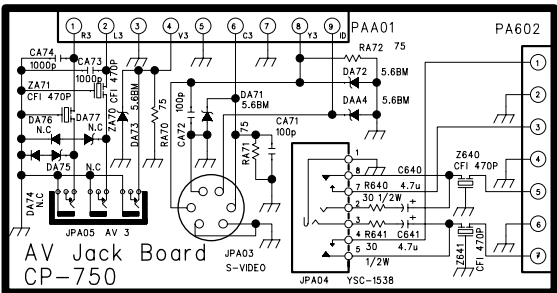
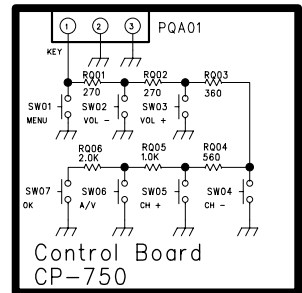
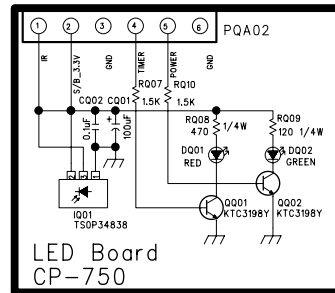
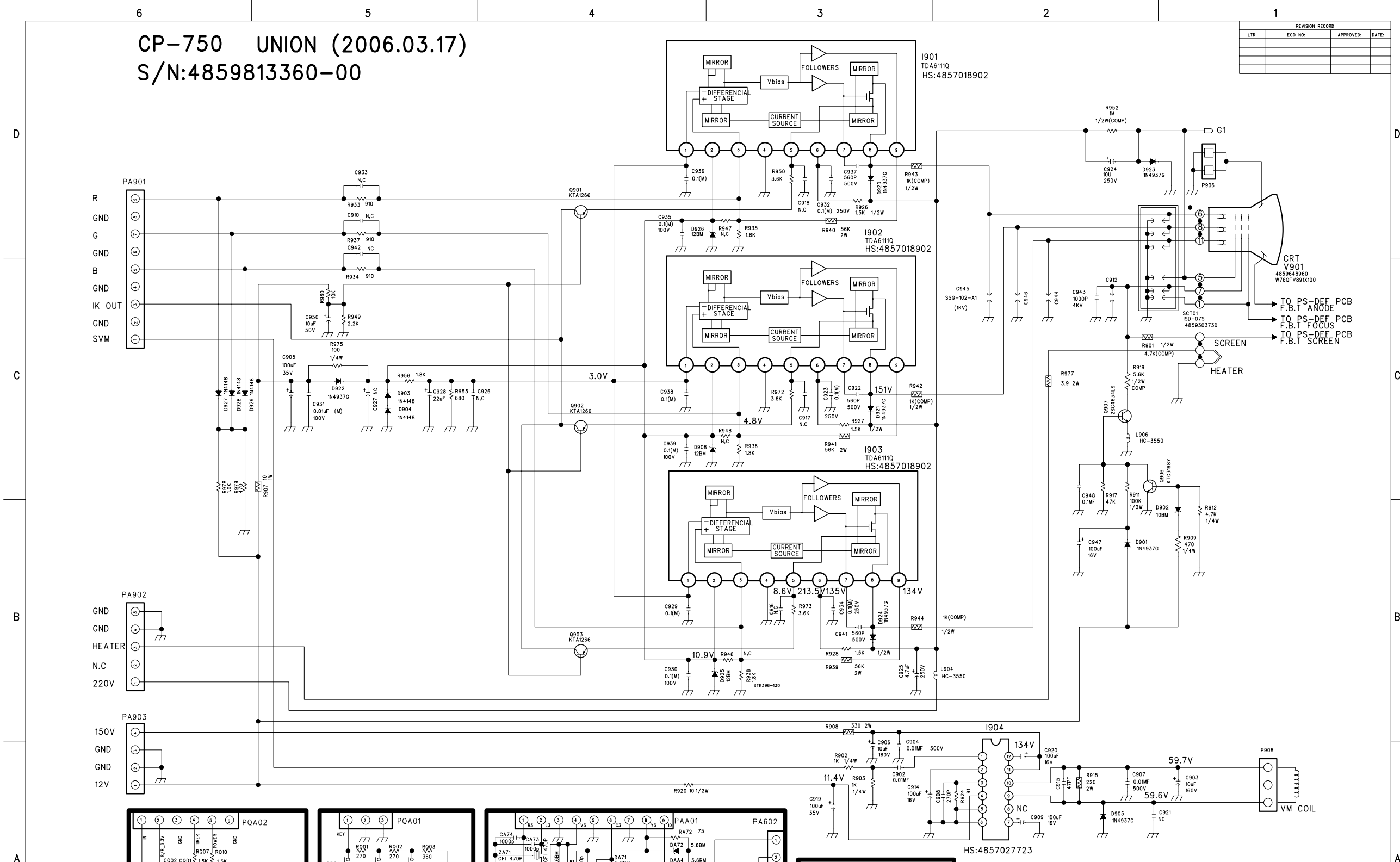


# SCHEMATIC DIAGRAM

www.DataSheet4U.com

CP-750 UNION (2006.03.17)  
S/N:4859813360-00

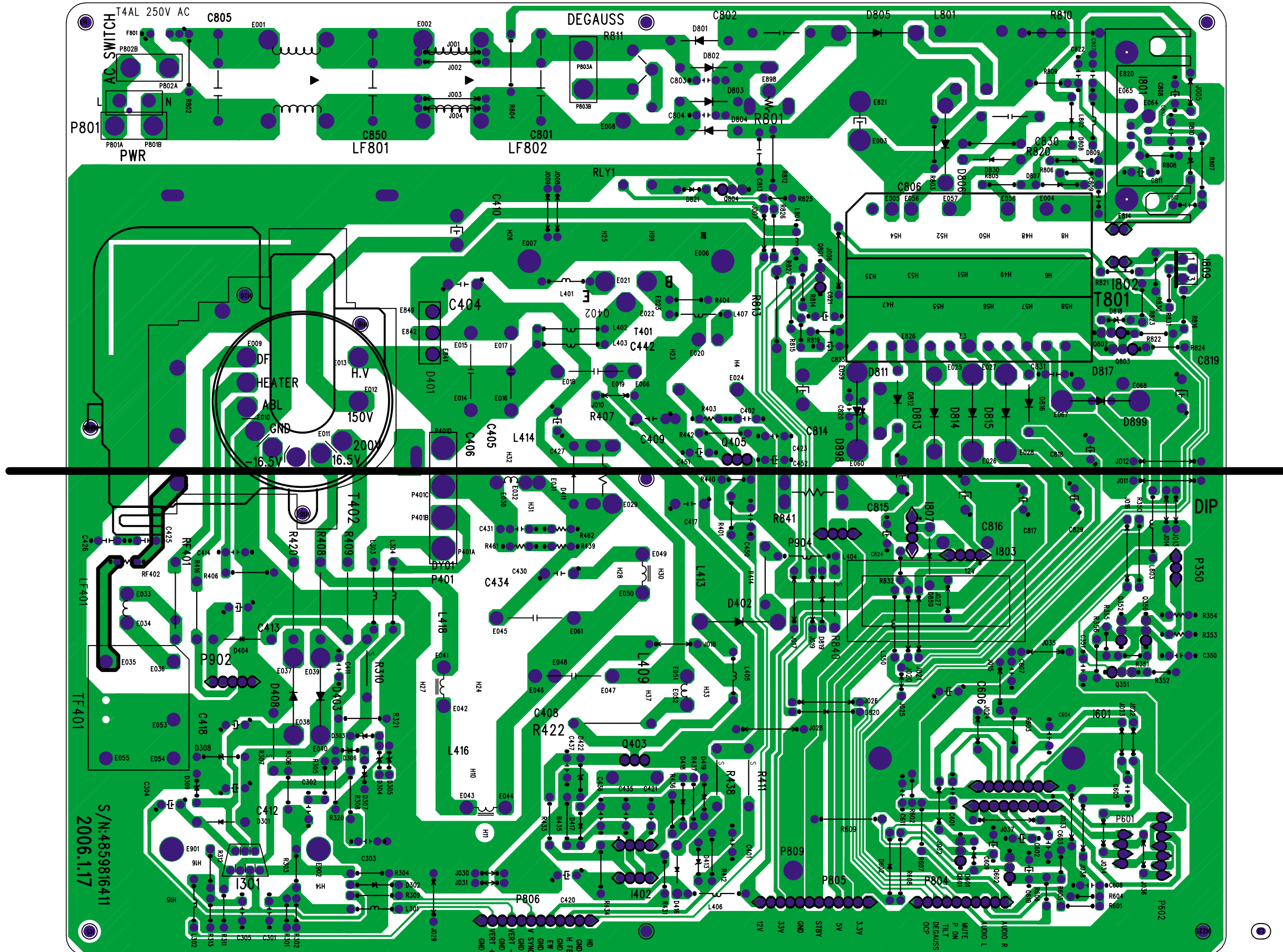
REVISION RECORD			
LTR	ECO. NO.	APPROVED:	DATE:



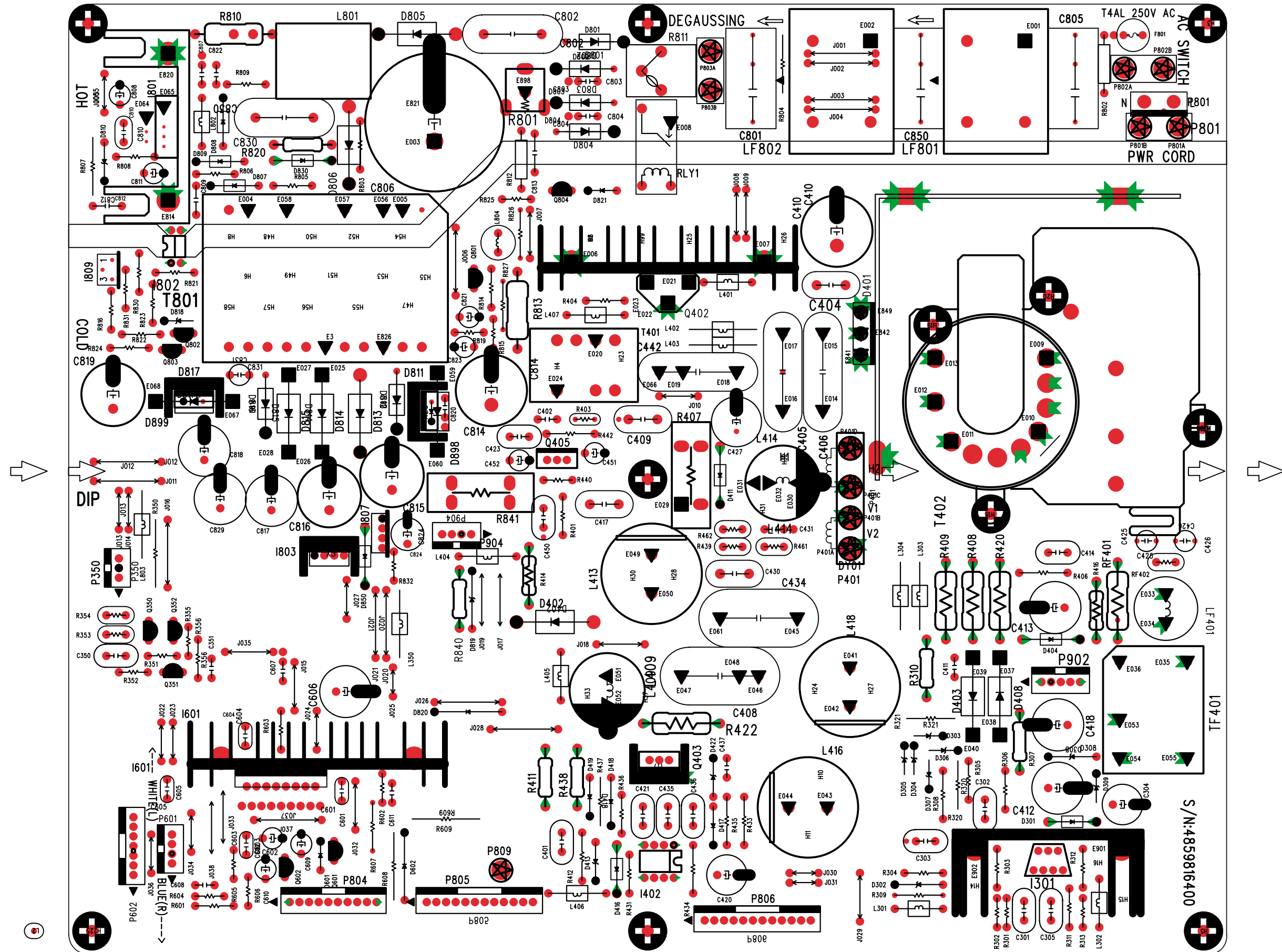
DRAWN:		DATED:		COMPANY:	
CHECKED:		DATED:		TITLE:	
QUALITY CONTROL:		DATED:		CODE:	SIZE:
RELEASED:		DATED:		DRAWING NO.:	REV.:
SCALE:				SHEET: OF	

www.DataSheet4U.com

# 7.PRINTED CIRCUIT BOARD



# PRINTED CIRCUIT BOARD



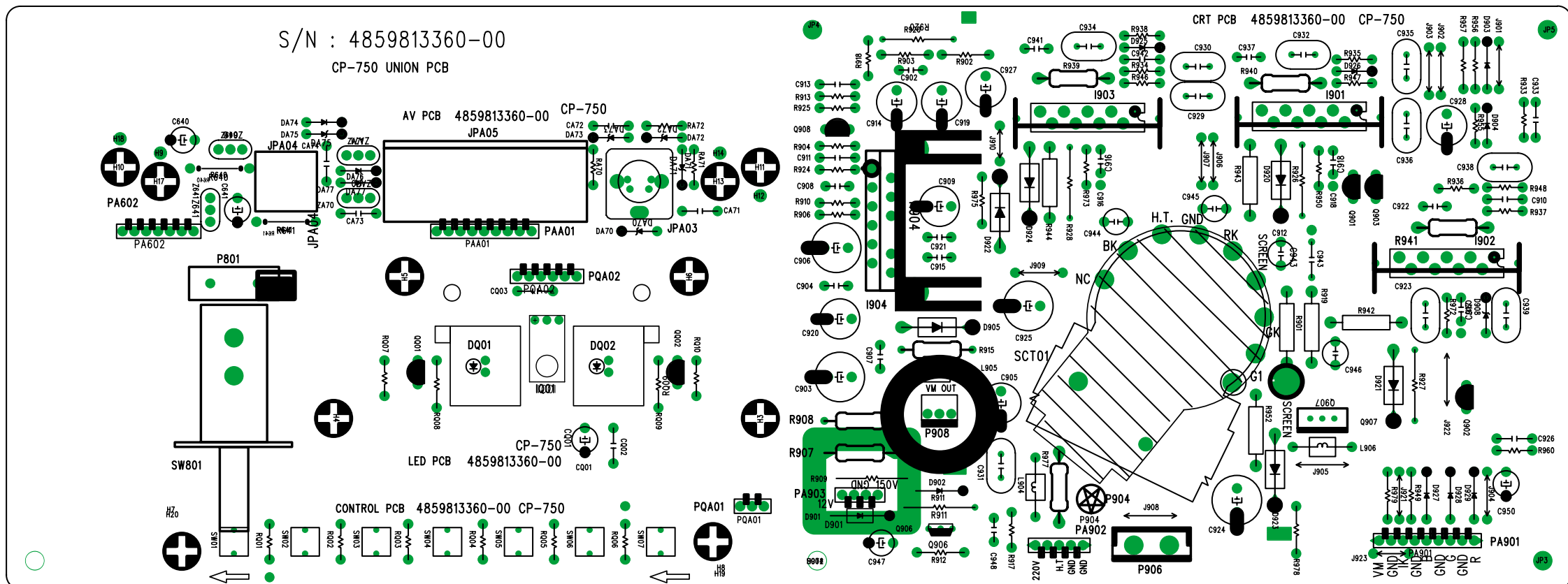
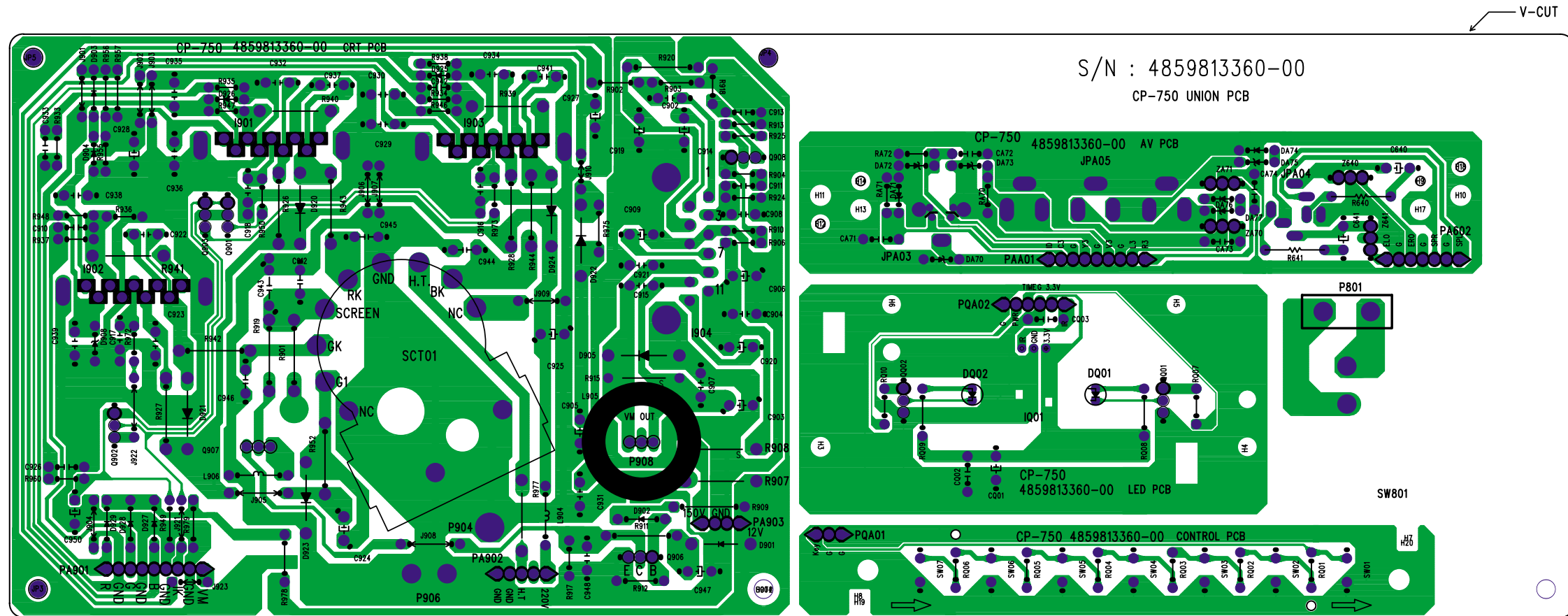
# PRINTED CIRCUIT BOARD

www.DataSheet4U.com

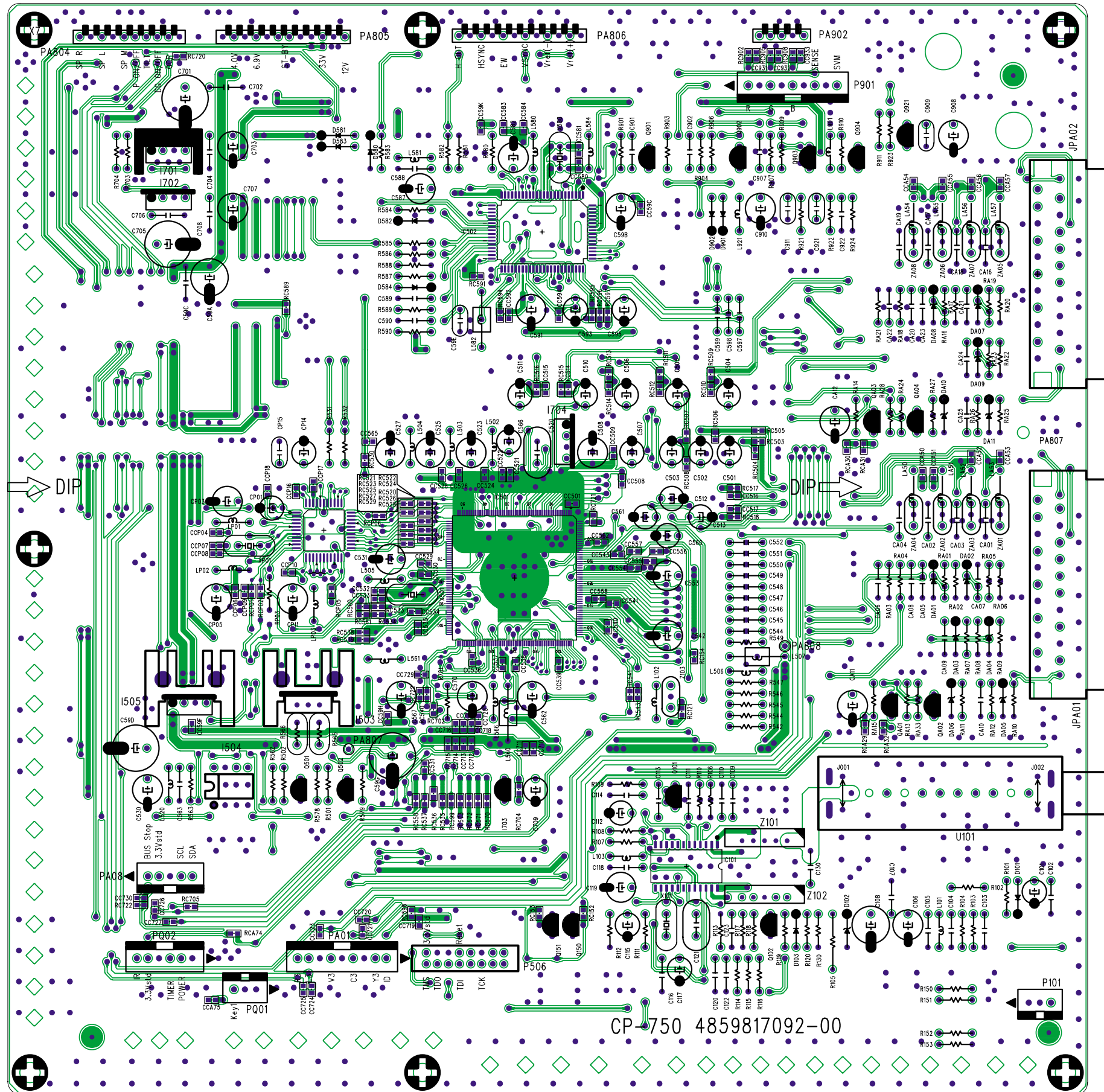
www.DataSheet4U.com



# PRINTED CIRCUIT BOARD

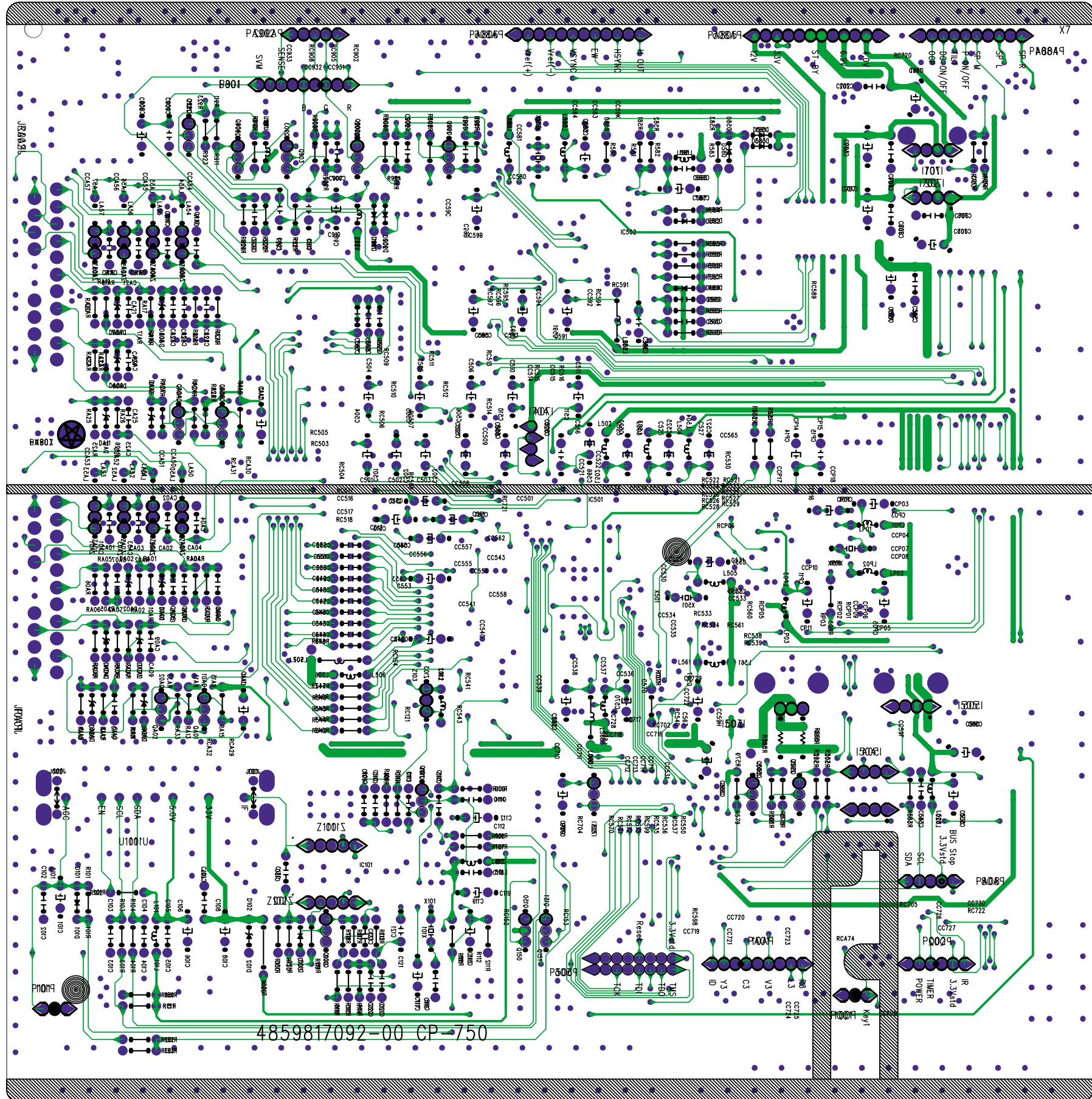


# PRINTED CIRCUIT BOARD





# PRINTED CIRCUIT BOARD







# 9. ELECTRICAL PARTS LIST

LOC	PART CODE	PART NAME	DESCRIPTION	REMARK	LOC	PART CODE	PART NAME	DESCRIPTION	REMARK
ZZ100	48B5849C05	TRANSMITTER REMOCON	R-49C05 (AAA)		PA804	4850710V02	CONNECTOR	YH025-10+YBNH250+ULW=100	
ZZ110	PTACPWE210	ACCESSORY AS	DTT-3250ZH		PA805	4950712005	CONNECTOR	YH025-12+YST250+ULW=100	
60	4850Q01210	BATTERY	LR03 AAA ALKALINE		PA806	4950712005	CONNECTOR	YH025-12+YST250+ULW=100	
M821	4858213803	BAG INSTRUCTION	L.D.P.E TO.05X250X400(+20)		U101	4859724930	TUNER VARACTOR	UV1316/A I-4	
ZZ120	PTBCSHE210	COVER BACK AS	DTT-3250ZH		X501	5XE20R250E	CRYSTAL QUARTZ	HC-49/U 20.2500MHZ 30PPM	
M211	4852174311	COVER BACK	HIPS GY		Z101	5PK3953M—	FILTER SAW	K3953M	
M781	4857817630	CLOTH BLACK	FELT 400X20X0.7		Z102	5PK9650M—	FILTER SAW	K9650M	
M782	4857817612	CLOTH BLACK	FELT 250X20X0.7		ZZ200	PTMPJOE210	PCB MAIN (RHU) AS	DTT-3250ZH	
ZZ130	PTPKCEP210	PACKING AS	DTT-3250ZH		C59D	CEXF1C471V	C ELECTRO	16V RSS 470MF (8X12)TP	
M641	6520010100	STAPLE PIN	AUTO W65		C59G	CEXF1C471V	C ELECTRO	16V RSS 470MF (8X12)TP	
M681	4856812400	BAND PP AUTO	T1.1XW17MMXL770M		C701	CEXF1C471V	C ELECTRO	16V RSS 470MF (8X12)TP	
M801	4858069800	BOX CARTON	DW-4		C705	CEXF1C471V	C ELECTRO	16V RSS 470MF (8X12)TP	
M811	485819C200	PAD	EPS 3250ZH		ZZ200	PTMPJBE210	PCB MAIN M-10 AS	DTT-3250ZH	
M821	4958200701	BAG P.E	FOAM T0.5X1880X1380		P101	485923162S	CONN WAFER	YW025-03 (STICK)	
ZZ131	49519A0110	CRT GROUND NET	DSC-3210E		P901	485923522S	CONN WAFER	YW025-09 (STICK)	
ZZ132	58G0000189	COIL DEGAUSSING	DC-32S1		PA01	485923522S	CONN WAFER	YW025-09 (STICK)	
ZZ140	PTCACAE210	CABINET AS	DTT-3250ZH		PA08	485923182S	CONN WAFER	YW025-05 (STICK)	
M201A	4856019100	SCREW CRT FIX	SWRM 10A L=35 3CR		PQ01	485923162S	CONN WAFER	YW025-03 (STICK)	
M201B	4856215404	WASHER RUBBER	CR T4.0		PQ02	485923192S	CONN WAFER	YW025-06 (STICK)	
M201C	4856017800	SCREW SPKR FIX	SWRM+SECC 3CR		ZZ200	PTMPJRE210	PCB MAIN RADIAL AS	DTT-3250ZH	
M201D	7178301252	SCREW TAPPTITE	TT2 WAS 3X12 MFZN BK 3CR		C101	CEXF1H220V	C ELECTRO	50V RSS 22MF (5X11) TP	
M201E	7178301252	SCREW TAPPTITE	TT2 WAS 3X12 MFZN BK 3CR		C106	CEXF1E101V	C ELECTRO	25V RSS 100MF (6.3X11) TP	
M201F	7178301252	SCREW TAPPTITE	TT2 WAS 3X12 MFZN BK 3CR		C108	CEXF1H101V	C ELECTRO	50V RSS 100MF (8X11.5) TP	
M201G	7178301252	SCREW TAPPTITE	TT2 WAS 3X12 MFZN BK 3CR		C112	CEXF1H478V	C ELECTRO	50V RSS 0.47MF (5X11) TP	
M211A	7172401652	SCREW TAPPTITE	TT2 TRS 4X16 MFZN BK 3CR		C115	CEXF1H109V	C ELECTRO	50V RSS 1MF (5X11) TP	
M211B	7172401652	SCREW TAPPTITE	TT2 TRS 4X16 MFZN BK 3CR		C117	CEXF1H478V	C ELECTRO	50V RSS 0.47MF (5X11) TP	
M211C	7172401652	SCREW TAPPTITE	TT2 TRS 4X16 MFZN BK 3CR		C119	CEXF1E101V	C ELECTRO	25V RSS 100MF (6.3X11) TP	
M211D	7172401652	SCREW TAPPTITE	TT2 TRS 4X16 MFZN BK 3CR		C121	CMXL1J224J	C MYLAR	63V MEU 0.22MF J (TP)	
M301	4857824500	CLOTH BLACK	FLET T1.0 L=500 W=35		C501	CEXF1H479V	C ELECTRO	50V RSS 4.7MF (6X11) TP	
M353	4853526600	HOLDER CORD	NYLON6(DACB-183)		C502	CEXF1H479V	C ELECTRO	50V RSS 4.7MF (6X11) TP	
M353A	7172401652	SCREW TAPPTITE	TT2 TRS 4X16 MFZN BK 3CR		C503	CEXF1H479V	C ELECTRO	50V RSS 4.7MF (6X11) TP	
M501A	4856812001	TIE CABLE	NYLON6 DA100		C504	CEXF1H479V	C ELECTRO	50V RSS 4.7MF (6X11) TP	
M541	4855415800	SPEC PLATE	150ART P/E FILM (C/TV)		C505	CEXF1H479V	C ELECTRO	50V RSS 4.7MF (6X11) TP	
M681	4856816300	CLAMP WIRE	NYLON 6 (V0)		C506	CEXF1H479V	C ELECTRO	50V RSS 4.7MF (6X11) TP	
M682	4856812001	TIE CABLE	NYLON6 DA100		C507	CEXF1H339V	C ELECTRO	50V RSS 3.3MF (6X11) TP	
PA601	4850704S30	CONNECTOR	YH025-04+YRT205+ULW700600		C508	CEXF1E101V	C ELECTRO	25V RSS 100MF (6.3X11) TP	
S601	48A8309300	SPEAKER SYSTEM	SS-58126F04		C510	CEXF1H220V	C ELECTRO	50V RSS 22MF (5X11) TP	
V901	4859648960	CRT	V76QFV891X003		C511	CEXF1H220V	C ELECTRO	50V RSS 22MF (5X11) TP	
ZZ200	PTFMSJE210	MASK FRONT AS	DTT-3250ZH		C512	CEXF1H220V	C ELECTRO	50V RSS 22MF (5X11) TP	
M201	4852091711	MASK FRONT	HIPS GY		C513	CEXF1H220V	C ELECTRO	50V RSS 22MF (5X11) TP	
M201G	4857817610	CLOTH BLACK	FELT 300X20X0.7		C520	CMXM2A104J	C MYLAR	100V 0.1MF J (TP)	
M201H	22213200WH	PROTECTOR CORNER	PET 50X30XTO.25 WH		C523	CEXF1E101V	C ELECTRO	25V RSS 100MF (6.3X11) TP	
M481	4854870711	BUTTON POWER	ABS GY		C525	CEXF1E101V	C ELECTRO	25V RSS 100MF (6.3X11) TP	
M481A	4856716000	SPRING	SWPA PIE0.5		C527	CEXF1E101V	C ELECTRO	25V RSS 100MF (6.3X11) TP	
M562	48556293SD	MARK BRAND	SILVER DIA-CUTTING		C530	CEXF1E101V	C ELECTRO	25V RSS 100MF (6.3X11) TP	
ZZ290	PTMPMSE210	PCB MAIN MANUAL AS	DTT-3250ZH		C531	CEXF1E101V	C ELECTRO	25V RSS 100MF (6.3X11) TP	
I503	PTX2SW4900	HEAT SINK ASS'Y	1LD1117V18 + 7174300851		C542	CEXF1E101V	C ELECTRO	25V RSS 100MF (6.3X11) TP	
00001	1LD1117V18	IC REGULATOR	LD1117AV18 1.8V 2% TO-220		C553	CEXF1E101V	C ELECTRO	25V RSS 100MF (6.3X11) TP	
0000A	4857024900	HEAT SINK	AL EX		C560	CEXF1H100V	C ELECTRO	50V RSS 10MF (5X11) TP	
0000B	7174300851	SCREW TAPPTITE	TT2 RND 3X8 MFZN 3CR		C561	CEXF1H100V	C ELECTRO	50V RSS 10MF (5X11) TP	
I504	124LC32A-P	IC EEPROM	24LC32A-I/P 32K 8 PIN DIP STICK		C562	CEXF1E101V	C ELECTRO	25V RSS 100MF (6.3X11) TP	
I505	1K78R33—	IC REGULATOR	KIA78R33PI		C566	CEXF1H100V	C ELECTRO	50V RSS 10MF (5X11) TP	
I701	PT52SW6900	HEAT SINK ASS'Y	1K78R05— + 7174300851		C567	CEXF1E101V	C ELECTRO	25V RSS 100MF (6.3X11) TP	
00001	1K78R05—	IC REGULATOR	KIA78R05API		C570	CEXF1E101V	C ELECTRO	25V RSS 100MF (6.3X11) TP	
0000A	4857026900	HEAT SINK	AL EX		C582	CEXF1E101V	C ELECTRO	25V RSS 100MF (6.3X11) TP	
0000B	7174300851	SCREW TAPPTITE	TT2 RND 3X8 MFZN 3CR		C587	CEXF1E101V	C ELECTRO	25V RSS 100MF (6.3X11) TP	
I702	1K78R33—	IC REGULATOR	KIA78R33PI		C591	CEXF1E101V	C ELECTRO	25V RSS 100MF (6.3X11) TP	
I704	1K78R08—	IC REGULATOR	KIA78R08API		C593	CEXF1H339V	C ELECTRO	50V RSS 3.3MF (6X11) TP	
JPA01	4959103680	JACK SCART	DSAM-0266		C595	CEXF1H479V	C ELECTRO	50V RSS 4.7MF (6X11) TP	
JPA02	4959103680	JACK SCART	DSAM-0266		C59A	CEXF1E101V	C ELECTRO	25V RSS 100MF (6.3X11) TP	
M351	4953500100	HOLDER CORD	FR HIPS		C59B	CEXF1E101V	C ELECTRO	25V RSS 100MF (6.3X11) TP	
M351A	7172401652	SCREW TAPPTITE	TT2 TRS 4X16 MFZN BK 3CR		C703	CEXF1E101V	C ELECTRO	25V RSS 100MF (6.3X11) TP	
M361	4853634611	TERMINAL ANT	HIPS GY		C707	CEXF1E101V	C ELECTRO	25V RSS 100MF (6.3X11) TP	
M361A	7172401652	SCREW TAPPTITE	TT2 TRS 4X16 MFZN BK 3CR		C709	CEXF1H100V	C ELECTRO	50V RSS 10MF (5X11) TP	
M361B	7178301252	SCREW TAPPTITE	TT2 WAS 3X12 MFZN BK 3CR		C908	CEXF1E101V	C ELECTRO	25V RSS 100MF (6.3X11) TP	
M381	4853828100	FRAME MAIN PCB	FR HIPS BK		C909	CMXL1J224J	C MYLAR	63V MEU 0.22MF J (TP)	
M381A	7178301252	SCREW TAPPTITE	TT2 WAS 3X12 MFZN BK 3CR		C910	CEXF1E101V	C ELECTRO	25V RSS 100MF (6.3X11) TP	
M381B	7178301252	SCREW TAPPTITE	TT2 WAS 3X12 MFZN BK 3CR		C911	CMXL1J224J	C MYLAR	63V MEU 0.22MF J (TP)	

## ELECTRICAL PARTS LIST

LOC	PART CODE	PART NAME	DESCRIPTION	REMARK	LOC	PART CODE	PART NAME	DESCRIPTION	REMARK
C921	CMXL1J224J	C MYLAR	63V MEU 0.22MF J (TP)		C708	CBZF1H104Z	C CERA SEMI	50V F 0.1MF Z	
CA11	CEXF1E470V	C ELECTRO	RSS 25V 47MF 5X11 P5.0 TA		C901	CCZB1H561K	C CERA	50V B 560PF K	
CA12	CEXF1E470V	C ELECTRO	RSS 25V 47MF 5X11 P5.0 TA		C902	CCZB1H561K	C CERA	50V B 560PF K	
I703	1K1A7029AP	IC RESET	KIA7029AP		C907	CCZB1H561K	C CERA	50V B 560PF K	
Q101	TKTC3198Y-	TR	KTC3198Y		C922	CCZB1H102K	C CERA	50V B 1000PF K (AXIAL)	
Q102	TKTC3198Y-	TR	KTC3198Y		CA01	CCZB1H102K	C CERA	50V B 1000PF K (AXIAL)	
Q150	TH2N7000—	FET	H2N7000		CA02	CCZB1H102K	C CERA	50V B 1000PF K (AXIAL)	
Q151	TH2N7000—	FET	H2N7000		CA03	CCZB1H102K	C CERA	50V B 1000PF K (AXIAL)	
Q501	TKTC3198Y-	TR	KTC3198Y		CA04	CCZB1H102K	C CERA	50V B 1000PF K (AXIAL)	
Q901	TKTA1266Y-	TR	KTA1266Y (TP)		CA05	CCZB1H101K	C CERA	50V B 100PF K (AXIAL)	
Q902	TKTA1266Y-	TR	KTA1266Y (TP)		CA06	CCZB1H101K	C CERA	50V B 100PF K (AXIAL)	
Q903	TKTA1266Y-	TR	KTA1266Y (TP)		CA07	CCZB1H101K	C CERA	50V B 100PF K (AXIAL)	
Q904	TKTC3198Y-	TR	KTC3198Y		CA08	CCZB1H102K	C CERA	50V B 1000PF K (AXIAL)	
Q921	TKTC3198Y-	TR	KTC3198Y		CA09	CCZB1H101K	C CERA	50V B 100PF K (AXIAL)	
QA01	TKTC3198Y-	TR	KTC3198Y		CA10	CCZB1H101K	C CERA	50V B 100PF K (AXIAL)	
QA02	TKTA1266Y-	TR	KTA1266Y (TP)		CA16	CCZB1H102K	C CERA	50V B 1000PF K (AXIAL)	
QA03	TKTC3198Y-	TR	KTC3198Y		CA17	CCZB1H102K	C CERA	50V B 1000PF K (AXIAL)	
QA04	TKTA1266Y-	TR	KTA1266Y (TP)		CA18	CCZB1H102K	C CERA	50V B 1000PF K (AXIAL)	
R565	RN02B109JS	R METAL FILM	2W 1 OHM J SMALL		CA19	CCZB1H102K	C CERA	50V B 1000PF K (AXIAL)	
R566	RN02B109JS	R METAL FILM	2W 1 OHM J SMALL		CA20	CCZB1H102K	C CERA	50V B 1000PF K (AXIAL)	
X101	5XEX4R000C	CRYSTAL QUARTZ	HC-49U 4.000MHZ 20PPM TP		CA21	CCZB1H101K	C CERA	50V B 100PF K (AXIAL)	
X580	5XEX5R000E	CRYSTAL QUARTZ	HC-49U 5.000MHZ 30PPM TP		CA22	CCZB1H101K	C CERA	50V B 100PF K (AXIAL)	
ZA01	5PXF1B471M	FILTER EMI	CFI 06 B 1H 470PF		CA23	CCZB1H101K	C CERA	50V B 100PF K (AXIAL)	
ZA02	5PXF1B471M	FILTER EMI	CFI 06 B 1H 470PF		CA24	CCZB1H101K	C CERA	50V B 100PF K (AXIAL)	
ZA03	5PXF1B471M	FILTER EMI	CFI 06 B 1H 470PF		CA25	CCZB1H101K	C CERA	50V B 100PF K (AXIAL)	
ZA04	5PXF1B471M	FILTER EMI	CFI 06 B 1H 470PF		D101	D1N4148—	DIODE	1N4148 (TAPPING)	
ZA05	5PXF1B471M	FILTER EMI	CFI 06 B 1H 470PF		D102	DUZ33B—	DIODE ZENER	UZ-33B	
ZA06	5PXF1B471M	FILTER EMI	CFI 06 B 1H 470PF		D103	DBA282—	DIODE	BA282	
ZA07	5PXF1B471M	FILTER EMI	CFI 06 B 1H 470PF		D580	D1N4148—	DIODE	1N4148 (TAPPING)	
ZA08	5PXF1B471M	FILTER EMI	CFI 06 B 1H 470PF		D581	D1N4148—	DIODE	1N4148 (TAPPING)	
ZZ200	PTM1JAE210	PCB MAIN AXIAL AS	DTT-32502H		D582	D1N4148—	DIODE	1N4148 (TAPPING)	
10	2TM14006LB	TAPE MASKING	3M #232 6.0X2000M		D583	D1N4148—	DIODE	1N4148 (TAPPING)	
20	2TM10006LB	TAPE MASKING	3M #232-MAP-C 6.2X2000M		D584	D1N4148—	DIODE	1N4148 (TAPPING)	
A001	4859817092	PCB MAIN	246X243.5 D2B		D901	D1N4148—	DIODE	1N4148 (TAPPING)	
C102	CBZF1H104Z	C CERA SEMI	50V F 0.1MF Z		D902	D1N4148—	DIODE	1N4148 (TAPPING)	
C105	CBZF1H104Z	C CERA SEMI	50V F 0.1MF Z		DA01	DUZ5R6BM—	DIODE ZENER	UZ-5.6BM	
C107	CBZF1H104Z	C CERA SEMI	50V F 0.1MF Z		DA02	DUZ5R6BM—	DIODE ZENER	UZ-5.6BM	
C109	CCZB1H103K	C CERA	HIKB 50V 0.01MF K AXIAL		DA03	DUZ5R6BM—	DIODE ZENER	UZ-5.6BM	
C110	CCZB1H391K	C CERA	50V B 390PF K (AXIAL)		DA04	DUZ5R6BM—	DIODE ZENER	UZ-5.6BM	
C111	CCZB1H103K	C CERA	HIKB 50V 0.01MF K AXIAL		DA05	DUZ5R6BM—	DIODE ZENER	UZ-5.6BM	
C113	CZCH1H220J	C CERA	50V CH 22PF J (AXIAL)		DA06	DUZ5R6BM—	DIODE ZENER	UZ-5.6BM	
C114	CCZB1H103K	C CERA	HIKB 50V 0.01MF K AXIAL		DA07	DUZ5R6BM—	DIODE ZENER	UZ-5.6BM	
C116	CZCH1H180J	C CERA	50V CH 18PF J (AXIAL)		DA08	DUZ5R6BM—	DIODE ZENER	UZ-5.6BM	
C118	CBZF1H104Z	C CERA SEMI	50V F 0.1MF Z		DA09	DUZ5R6BM—	DIODE ZENER	UZ-5.6BM	
C120	CCZB1H152K	C CERA	50V B 1500PF K (AXIAL)		DA10	DUZ5R6BM—	DIODE ZENER	UZ-5.6BM	
C122	CCZB1H103K	C CERA	HIKB 50V 0.01MF K AXIAL		DA11	DUZ5R6BM—	DIODE ZENER	UZ-5.6BM	
C123	CCZB1H103K	C CERA	HIKB 50V 0.01MF K AXIAL		L101	5CPZ100K02	COIL PEAKING	10UH K (AXIAL 3.5MM)	
C130	CCZB1H101K	C CERA	50V B 100PF K (AXIAL)		L102	85801060G2	WIRE COPPER	1/0.6 TIN COATING	
C544	CBZF1H104Z	C CERA SEMI	50V F 0.1MF Z		L103	5CPZ100K02	COIL PEAKING	10UH K (AXIAL 3.5MM)	
C545	CBZF1H104Z	C CERA SEMI	50V F 0.1MF Z		L502	5CPZ568M02	COIL PEAKING	0.56UH M (AXIAL 3.5MM)	
C546	CBZF1H104Z	C CERA SEMI	50V F 0.1MF Z		L503	5CPZ100K02	COIL PEAKING	10UH K (AXIAL 3.5MM)	
C547	CBZF1H104Z	C CERA SEMI	50V F 0.1MF Z		L504	5CPZ100K02	COIL PEAKING	10UH K (AXIAL 3.5MM)	
C548	CBZF1H104Z	C CERA SEMI	50V F 0.1MF Z		L505	5CPZ100K02	COIL PEAKING	10UH K (AXIAL 3.5MM)	
C549	CBZF1H104Z	C CERA SEMI	50V F 0.1MF Z		L506	5CPZ100K02	COIL PEAKING	10UH K (AXIAL 3.5MM)	
C550	CBZF1H104Z	C CERA SEMI	50V F 0.1MF Z		L507	5MC0000100	COIL BEAD	HC-3550	
C551	CBZF1H104Z	C CERA SEMI	50V F 0.1MF Z		L520	5CPZ100K02	COIL PEAKING	10UH K (AXIAL 3.5MM)	
C552	CBZF1H104Z	C CERA SEMI	50V F 0.1MF Z		L560	5MC0000100	COIL BEAD	HC-3550	
C563	CBZF1H104Z	C CERA SEMI	50V F 0.1MF Z		L561	5CPZ100K02	COIL PEAKING	10UH K (AXIAL 3.5MM)	
C588	CBZF1H104Z	C CERA SEMI	50V F 0.1MF Z		L566	5CPZ100K02	COIL PEAKING	10UH K (AXIAL 3.5MM)	
C589	CCZB1H103K	C CERA	HIKB 50V 0.01MF K AXIAL		L580	5CPZ100K02	COIL PEAKING	10UH K (AXIAL 3.5MM)	
C590	CCZB1H103K	C CERA	HIKB 50V 0.01MF K AXIAL		L581	5CPZ100K02	COIL PEAKING	10UH K (AXIAL 3.5MM)	
C597	CBZF1H104Z	C CERA SEMI	50V F 0.1MF Z		L582	5MC0000100	COIL BEAD	HC-3550	
C598	CBZF1H104Z	C CERA SEMI	50V F 0.1MF Z		L584	5CPZ100K02	COIL PEAKING	10UH K (AXIAL 3.5MM)	
C599	CBZF1H104Z	C CERA SEMI	50V F 0.1MF Z		L901	5CPZ100K02	COIL PEAKING	10UH K (AXIAL 3.5MM)	
C59C	CBZF1H104Z	C CERA SEMI	50V F 0.1MF Z		L921	5CPZ100K02	COIL PEAKING	10UH K (AXIAL 3.5MM)	
C702	CBZF1H104Z	C CERA SEMI	50V F 0.1MF Z		R101	RD-AZ102J-	R CARBON FILM	1/6 1K OHM J	
C704	CBZF1H104Z	C CERA SEMI	50V F 0.1MF Z		R102	RD-AZ472J-	R CARBON FILM	1/6 4.7K OHM J	
C706	CBZF1H104Z	C CERA SEMI	50V F 0.1MF Z		R103	RD-AZ101J-	R CARBON FILM	1/6 100 OHM J	

## ELECTRICAL PARTS LIST

LOC	PART CODE	PART NAME	DESCRIPTION	REMARK	LOC	PART CODE	PART NAME	DESCRIPTION	REMARK
R104	RD-AZ101J-	R CARBON FILM	1/6 100 OHM J		RA08	RD-AZ750J-	R CARBON FILM	1/6 75 OHM J	
R105	RD-AZ332J-	R CARBON FILM	1/4 3.3K OHM J		RA09	RD-AZ750J-	R CARBON FILM	1/6 75 OHM J	
R106	RD-AZ562J-	R CARBON FILM	1/6 5.6K OHM J		RA10	RD-AZ750J-	R CARBON FILM	1/6 75 OHM J	
R107	RD-AZ101J-	R CARBON FILM	1/6 100 OHM J		RA11	RD-AZ750J-	R CARBON FILM	1/6 75 OHM J	
R108	RD-AZ101J-	R CARBON FILM	1/6 100 OHM J		RA12	RD-AZ750J-	R CARBON FILM	1/6 75 OHM J	
R109	RD-AZ102J-	R CARBON FILM	1/6 1K OHM J		RA13	RD-AZ471J-	R CARBON FILM	1/6 470 OHM J	
R110	RD-AZ331J-	R CARBON FILM	1/6 330 OHM J		RA14	RD-AZ183J-	R CARBON FILM	1/6 18K OHM J	
R111	RD-AZ752J-	R CARBON FILM	1/6 7.5K OHM J		RA15	RD-AZ183J-	R CARBON FILM	1/6 18K OHM J	
R112	RD-AZ104J-	R CARBON FILM	1/6 100K OHM J		RA16	RD-AZ101J-	R CARBON FILM	1/6 100 OHM J	
R113	RD-AZ331J-	R CARBON FILM	1/6 330 OHM J		RA17	RD-AZ750J-	R CARBON FILM	1/6 75 OHM J	
R114	RD-AZ223J-	R CARBON FILM	1/6 22K OHM J		RA18	RD-AZ103J-	R CARBON FILM	1/6 10K OHM J	
R115	RD-AZ223J-	R CARBON FILM	1/6 22K OHM J		RA19	RD-AZ101J-	R CARBON FILM	1/6 100 OHM J	
R116	RD-AZ223J-	R CARBON FILM	1/6 22K OHM J		RA20	RD-AZ750J-	R CARBON FILM	1/6 75 OHM J	
R117	RD-AZ223J-	R CARBON FILM	1/6 22K OHM J		RA21	RD-AZ332J-	R CARBON FILM	1/6 3.3K OHM J	
R118	RD-AZ473J-	R CARBON FILM	1/6 47K OHM J		RA22	RD-AZ750J-	R CARBON FILM	1/6 75 OHM J	
R119	RD-AZ222J-	R CARBON FILM	1/6 2.2K OHM J		RA23	RD-AZ101J-	R CARBON FILM	1/6 100 OHM J	
R120	RD-AZ682J-	R CARBON FILM	1/6 6.8K OHM J		RA24	RD-AZ151J-	R CARBON FILM	1/6 150 OHM J	
R130	RD-AZ223J-	R CARBON FILM	1/6 22K OHM J		RA25	RD-AZ750J-	R CARBON FILM	1/6 75 OHM J	
R150	RD-AZ472J-	R CARBON FILM	1/6 4.7K OHM J		RA26	RD-AZ750J-	R CARBON FILM	1/6 75 OHM J	
R151	RD-AZ472J-	R CARBON FILM	1/6 4.7K OHM J		RA27	RD-AZ750J-	R CARBON FILM	1/6 75 OHM J	
R152	RD-AZ223J-	R CARBON FILM	1/6 22K OHM J		RA28	RD-AZ471J-	R CARBON FILM	1/6 470 OHM J	
R153	RD-AZ104J-	R CARBON FILM	1/6 100K OHM J		RA33	RD-AZ151J-	R CARBON FILM	1/6 150 OHM J	
R501	RD-AZ101J-	R CARBON FILM	1/6 100 OHM J		ZZ200	PTMPJ1E210	PCB MAIN CHIP MOUNT A	ASDTT-3250ZH	
R502	RD-AZ103J-	R CARBON FILM	1/6 10K OHM J		CC501	HCBK103KBA	C CHIP CERA	50V X7R 0.01MF K 1608	
R531	RD-AZ101J-	R CARBON FILM	1/6 100 OHM J		CC508	HCBK104KBA	C CHIP CERA	50V X7R 0.1MF K 1608	
R532	RD-AZ101J-	R CARBON FILM	1/6 100 OHM J		CC509	HCBK104KBA	C CHIP CERA	50V X7R 0.1MF K 1608	
R542	RD-AZ102J-	R CARBON FILM	1/6 1K OHM J		CC514	HCBK102KBA	C CHIP CERA	50V X7R 1000PF K 1608	
R544	RD-AZ101J-	R CARBON FILM	1/6 100 OHM J		CC515	HCBK102KBA	C CHIP CERA	50V X7R 1000PF K 1608	
R545	RD-AZ101J-	R CARBON FILM	1/6 100 OHM J		CC516	HCBK102KBA	C CHIP CERA	50V X7R 1000PF K 1608	
R546	RD-AZ101J-	R CARBON FILM	1/6 100 OHM J		CC517	HCBK102KBA	C CHIP CERA	50V X7R 1000PF K 1608	
R547	RD-AZ101J-	R CARBON FILM	1/6 100 OHM J		CC521	HCQK560JBA	C CHIP CERA	50V CH 56PF J 1608	
R549	RD-AZ102J-	R CARBON FILM	1/6 1K OHM J		CC522	HCQK560JBA	C CHIP CERA	50V CH 56PF J 1608	
R562	RD-AZ101J-	R CARBON FILM	1/6 100 OHM J		CC524	HCBK104KBA	C CHIP CERA	50V X7R 0.1MF K 1608	
R563	RD-AZ101J-	R CARBON FILM	1/6 100 OHM J		CC526	HCBK104KBA	C CHIP CERA	50V X7R 0.1MF K 1608	
R579	RD-AZ102J-	R CARBON FILM	1/6 1K OHM J		CC528	HCBK104KBA	C CHIP CERA	50V X7R 0.1MF K 1608	
R580	RD-AZ103J-	R CARBON FILM	1/6 10K OHM J		CC529	HCBK104KBA	C CHIP CERA	50V X7R 0.1MF K 1608	
R581	RD-AZ471J-	R CARBON FILM	1/6 470 OHM J		CC530	HCBK104KBA	C CHIP CERA	50V X7R 0.1MF K 1608	
R582	RD-AZ471J-	R CARBON FILM	1/6 470 OHM J		CC531	HCBK102KBA	C CHIP CERA	50V X7R 1000PF K 1608	
R583	RD-AZ103J-	R CARBON FILM	1/6 10K OHM J		CC532	HCQK220JBA	C CHIP CERA	50V CH 22PF J 1608	
R584	RD-AZ223J-	R CARBON FILM	1/6 22K OHM J		CC533	HCQK220JBA	C CHIP CERA	50V CH 22PF J 1608	
R585	RD-AZ272J-	R CARBON FILM	1/6 2.7K OHM J		CC534	HCBK104KBA	C CHIP CERA	50V X7R 0.1MF K 1608	
R586	RD-AZ271J-	R CARBON FILM	1/6 270 OHM J		CC535	HCBK104KBA	C CHIP CERA	50V X7R 0.1MF K 1608	
R587	RD-AZ101J-	R CARBON FILM	1/6 100 OHM J		CC536	HCBK104KBA	C CHIP CERA	50V X7R 0.1MF K 1608	
R588	RD-AZ223J-	R CARBON FILM	1/6 22K OHM J		CC537	HCBK104KBA	C CHIP CERA	50V X7R 0.1MF K 1608	
R589	RD-AZ271J-	R CARBON FILM	1/6 270 OHM J		CC538	HCBK104KBA	C CHIP CERA	50V X7R 0.1MF K 1608	
R590	RD-AZ271J-	R CARBON FILM	1/6 270 OHM J		CC539	HCBK104KBA	C CHIP CERA	50V X7R 0.1MF K 1608	
R701	RD-AZ101J-	R CARBON FILM	1/6 100 OHM J		CC540	HCBK104KBA	C CHIP CERA	50V X7R 0.1MF K 1608	
R703	RD-AZ103J-	R CARBON FILM	1/6 10K OHM J		CC541	HCBK104KBA	C CHIP CERA	50V X7R 0.1MF K 1608	
R704	RD-AZ103J-	R CARBON FILM	1/6 10K OHM J		CC543	HCBK104KBA	C CHIP CERA	50V X7R 0.1MF K 1608	
R901	RD-AZ330J-	R CARBON FILM	1/6 33 OHM J		CC554	HCBK104KBA	C CHIP CERA	50V X7R 0.1MF K 1608	
R903	RD-AZ151J-	R CARBON FILM	1/6 150 OHM J		CC555	HCBK104KBA	C CHIP CERA	50V X7R 0.1MF K 1608	
R904	RD-AZ330J-	R CARBON FILM	1/6 33 OHM J		CC556	HCBK104KBA	C CHIP CERA	50V X7R 0.1MF K 1608	
R906	RD-AZ151J-	R CARBON FILM	1/6 150 OHM J		CC557	HCBK104KBA	C CHIP CERA	50V X7R 0.1MF K 1608	
R907	RD-AZ330J-	R CARBON FILM	1/6 33 OHM J		CC558	HCBK104KBA	C CHIP CERA	50V X7R 0.1MF K 1608	
R909	RD-AZ151J-	R CARBON FILM	1/6 150 OHM J		CC562	HCBK104KBA	C CHIP CERA	50V X7R 0.1MF K 1608	
R910	RD-AZ220J-	R CARBON FILM	1/6 22 OHM J		CC580	HCQK270JBA	C CHIP CERA	50V CH 27PF J 1608	
R911	RD-AZ102J-	R CARBON FILM	1/6 1K OHM J		CC581	HCQK270JBA	C CHIP CERA	50V CH 27PF J 1608	
R921	RD-AZ271J-	R CARBON FILM	1/6 270 OHM J		CC583	HCBK104KBA	C CHIP CERA	50V X7R 0.1MF K 1608	
R922	RD-AZ223J-	R CARBON FILM	1/6 22K OHM J		CC584	HCBK102KBA	C CHIP CERA	50V X7R 1000PF K 1608	
R923	RD-AZ221J-	R CARBON FILM	1/6 220 OHM J		CC592	HCBK104KBA	C CHIP CERA	50V X7R 0.1MF K 1608	
R924	RD-AZ330J-	R CARBON FILM	1/6 33 OHM J		CC594	HCBK104KBA	C CHIP CERA	50V X7R 0.1MF K 1608	
RA01	RD-AZ101J-	R CARBON FILM	1/6 100 OHM J		CC59C	HCBK104KBA	C CHIP CERA	50V X7R 0.1MF K 1608	
RA02	RD-AZ750J-	R CARBON FILM	1/6 75 OHM J		CC59F	HCBK104KBA	C CHIP CERA	50V X7R 0.1MF K 1608	
RA03	RD-AZ332J-	R CARBON FILM	1/6 3.3K OHM J		CC59H	HCBK104KBA	C CHIP CERA	50V X7R 0.1MF K 1608	
RA04	RD-AZ103J-	R CARBON FILM	1/6 10K OHM J		CC59K	HCBK104KBA	C CHIP CERA	50V X7R 0.1MF K 1608	
RA05	RD-AZ101J-	R CARBON FILM	1/6 100 OHM J		CC710	HCBK104KBA	C CHIP CERA	50V X7R 0.1MF K 1608	
RA06	RD-AZ750J-	R CARBON FILM	1/6 75 OHM J		CC711	HCBK104KBA	C CHIP CERA	50V X7R 0.1MF K 1608	
RA07	RD-AZ101J-	R CARBON FILM	1/6 100 OHM J		CC712	HCBK104KBA	C CHIP CERA	50V X7R 0.1MF K 1608	

## ELECTRICAL PARTS LIST

LOC	PART CODE	PART NAME	DESCRIPTION	REMARK	LOC	PART CODE	PART NAME	DESCRIPTION	REMARK
CC713	HCBK104KBA	C CHIP CERA	50V X7R 0.1MF K 1608		RC902	HRFT271JBA	R CHIP	1/10 270 OHM J 1608	
CC714	HCBK104KBA	C CHIP CERA	50V X7R 0.1MF K 1608		RC905	HRFT271JBA	R CHIP	1/10 270 OHM J 1608	
CC715	HCBK104KBA	C CHIP CERA	50V X7R 0.1MF K 1608		RC908	HRFT271JBA	R CHIP	1/10 270 OHM J 1608	
CC716	HCBK104KBA	C CHIP CERA	50V X7R 0.1MF K 1608		RCA29	HRFT103JBA	R CHIP	1/10 10K OHM J 1608	
CC717	HCBK104KBA	C CHIP CERA	50V X7R 0.1MF K 1608		RCA30	HRFT103JBA	R CHIP	1/10 10K OHM J 1608	
CC718	HCBK104KBA	C CHIP CERA	50V X7R 0.1MF K 1608		RCA31	HRFT151JBA	R CHIP	1/10 150 OHM J 1608	
CC719	HCBK102KBA	C CHIP CERA	50V X7R 1000PF K 1608		RCA32	HRFT151JBA	R CHIP	1/10 150 OHM J 1608	
CC720	HCQK560JBA	C CHIP CERA	50V CH 56PF J 1608		RCA74	HRFT122JBA	R CHIP	1/10 1.2K OHM J 1608	
CC721	HCQK560JBA	C CHIP CERA	50V CH 56PF J 1608		ZZ300	PTPWMSE210	PCB POWER MANUAL AS	DTT-3250ZH	
CC722	HCBK332KBA	C CHIP CERA	50V X7R 3300PF K 1608		C404	CMXE2J223J	C MYLAR	630V PU 0.022MF J (TP)	
CC723	HCQK560JBA	C CHIP CERA	50V CH 56PF J 1608		C405	CMYH3C562J	C MYLAR	1.6KV BUP 5600PF J	
CC724	HCBK102KBA	C CHIP CERA	50V X7R 1000PF K 1608		C406	CMYH3C562J	C MYLAR	1.6KV BUP 5600PF J	
CC725	HCBK102KBA	C CHIP CERA	50V X7R 1000PF K 1608		C408	CMYF2G684J	C MYLAR	400V MPP 0.68MF J	
CC726	HCBK102KBA	C CHIP CERA	50V X7R 1000PF K 1608		C409	CMYF2J104J	C MYLAR	630V MPP 0.1MF J	
CC727	HCBK102KBA	C CHIP CERA	50V X7R 1000PF K 1608		C410	CEYF2D101V	C ELECTRO	200V RSS 100MF (16X31.5)	
CC728	HCBK332KBA	C CHIP CERA	50V X7R 3300PF K 1608		C430	CMYF2G124J	C MYLAR	400V MPP 0.12MF J	
CC729	HCBK332KBA	C CHIP CERA	50V X7R 3300PF K 1608		C434	CMYE2G224J	C MYLAR	400V PU 0.22MF J	
CC730	HCBK104KBA	C CHIP CERA	50V X7R 0.1MF K 1608		C442	CMYH3C392J	C MYLAR	1.6KV BUP 3900PF J	
CCA75	HCBK103KBA	C CHIP CERA	50V X7R 0.01MF K 1608		C802	CMYF2J474K	C MYLAR	630V MPP 0.47MF K	
IC101	1TDA9886T-	IC CHIP IF	TD9886T		C805	CL1UC3474M	C LINE ACROSS	0.47MF 1J(UCVSNDF/SV)+Q/O	
IC501	1VCT67XYGQ	IC CHIP VIDEO CONTROL ER TEXT AUDIO	VCT67XYG		C806	CEYD2W221D	C ELECTRO	450V FHS 220MF (25X50)	
IC502	1DDP3316CQ	IC CHIP DISPLAY DEFLECTI ON PROCESSOR	DDP3316C		C807	CCYR3D102K	C CERA	2KV R 1000PF K 125 DE1207	
RC121	HRFT750JBA	R CHIP	1/10 75 OHM J 1608		C813	CH1BFE332M	C CERA AC	4.0KV 3300PF M SD AC250V	
RC154	HRFT750JBA	R CHIP	1/10 75 OHM J 1608		C814	CEYF2D101V	C ELECTRO	200V RSS 100MF (16X31.5)	
RC503	HRFT471JBA	R CHIP	1/10 470 OHM J 1608		C830	CMYF2J154J	C MYLAR	630V MPP 0.15MF J	
RC505	HRFT471JBA	R CHIP	1/10 470 OHM J 1608		C850	CL1UC3474M	C LINE ACROSS	0.47MF 1J(UCVSNDF/SV)+Q/O	
RC507	HRFT471JBA	R CHIP	1/10 470 OHM J 1608		D401	PTB3SW2100	HEAT SINK ASS'Y	DFMP3FU--- + 7174301051	
RC509	HRFT471JBA	R CHIP	1/10 470 OHM J 1608		00001	DFMP3FU---	DIODE	FMP3FU	
RC511	HRFT471JBA	R CHIP	1/10 470 OHM J 1608		0000A	4857032100	HEAT SINK	AL PR T1	
RC513	HRFT471JBA	R CHIP	1/10 470 OHM J 1608		0000B	7174301051	SCREW TAPPTITE	TT2 RND 3X10 MFZN 3CR	
RC515	HRFT101JBA	R CHIP	1/10 100 OHM J 1608		D402	DRGP30J---	DIODE	RGP30J DO-201AD 600V 3A	
RC516	HRFT101JBA	R CHIP	1/10 100 OHM J 1608		D403	DRGP30J---	DIODE	RGP30J DO-201AD 600V 3A	
RC517	HRFT101JBA	R CHIP	1/10 100 OHM J 1608		D408	DRGP30J---	DIODE	RGP30J DO-201AD 600V 3A	
RC518	HRFT101JBA	R CHIP	1/10 100 OHM J 1608		D805	DRL4A015-	DIODE	RL4A-015-308	
RC529	HRFT330JBA	R CHIP	1/10 33 OHM J 1608		D806	DRL4A015-	DIODE	RL4A-015-308	
RC530	HRFT101JBA	R CHIP	1/10 100 OHM J 1608		D811	PTZASW6900	HEAT SINK ASS'Y	DFMLG16S--- + 7174300851	
RC533	HRFT101JBA	R CHIP	1/10 100 OHM J 1608		00001	DFMLG16S-	DIODE	FML-G16S	
RC534	HRFT101JBA	R CHIP	1/10 100 OHM J 1608		0000A	4857026900	HEAT SINK	AL EX	
RC535	HRFT102JBA	R CHIP	1/10 1K OHM J 1608		0000B	7174300851	SCREW TAPPTITE	TT2 RND 3X8 MFZN 3CR	
RC536	HRFT101JBA	R CHIP	1/10 100 OHM J 1608		D813	DRGP30J---	DIODE	RGP30J DO-201AD 600V 3A	
RC537	HRFT472JBA	R CHIP	1/10 4.7K OHM J 1608		D814	DSR306E20-	DIODE	SR306E20	
RC538	HRFT101JBA	R CHIP	1/10 100 OHM J 1608		D815	DSR306E20-	DIODE	SR306E20	
RC539	HRFT101JBA	R CHIP	1/10 100 OHM J 1608		D817	PTP2SW6900	HEAT SINK ASS'Y	DFMLG12S--- + 7174300851	
RC540	HRFT101JBA	R CHIP	1/10 100 OHM J 1608		00001	DFMLG12S-	DIODE	FML-G12S	
RC541	HRFT102JBA	R CHIP	1/10 1K OHM J 1608		0000A	4857026900	HEAT SINK	AL EX	
RC543	HRFT102JBA	R CHIP	1/10 1K OHM J 1608		0000B	7174300851	SCREW TAPPTITE	TT2 RND 3X8 MFZN 3CR	
RC550	HRFT102JBA	R CHIP	1/10 1K OHM J 1608		I301	PTL2SW7921	HEAT SINK ASS'Y	1STV8172A- + 7174300851	
RC560	HRFT152JBA	R CHIP	1/10 1.5K OHM J 1608		00001	1STV8172A-	IC V-OUT	STV8172A	
RC561	HRFT152JBA	R CHIP	1/10 1.5K OHM J 1608		0000A	4857027921	HEAT SINK	AL EX BK	
RC570	HRFT000JBA	R CHIP	1/10 0 OHM J 1608		0000B	7174300851	SCREW TAPPTITE	TT2 RND 3X8 MFZN 3CR	
RC571	HRFT000JBA	R CHIP	1/10 0 OHM J 1608		I402	1KA393---	IC LOGIC	KA393	
RC572	HRFT000JBA	R CHIP	1/10 0 OHM J 1608		I601	PTB2SW4422	HEAT SINK ASS'Y	1TDA8946J- + 7174301051	
RC573	HRFT000JBA	R CHIP	1/10 0 OHM J 1608		00001	1TDA8946J-	IC AUDIO AMP	TDA8946J	
RC589	HRFT104JBA	R CHIP	1/10 100K OHM J 1608		0000A	4857024422	HEAT SINK	AL EX	
RC591	HRFT682JBA	R CHIP	1/10 6.8K OHM J 1608		0000B	7174301051	SCREW TAPPTITE	TT2 RND 3X10 MFZN 3CR	
RC594	HRFT102JBA	R CHIP	1/10 1K OHM J 1608		I801	PTH2SW7910	HEAT SINK ASS'Y	1STRX6757- + 7174301051	
RC595	HRFT103JBA	R CHIP	1/10 10K OHM J 1608		00001	1STRX6757-	IC POWER	STR-X6757	
RC596	HRFT101JBA	R CHIP	1/10 100 OHM J 1608		0000A	4857027910	HEAT SINK	AL EX	
RC597	HRFT101JBA	R CHIP	1/10 100 OHM J 1608		0000B	7174301051	SCREW TAPPTITE	TT2 RND 3X10 MFZN 3CR	
RC598	HRFT104JBA	R CHIP	1/10 100K OHM J 1608		I802	1LTV817C-	IC PHOTO COUPLER	LTV-817C	
RC599	HRFT471JBA	R CHIP	1/10 470 OHM J 1608		I803	PT42SW6900	HEAT SINK ASS'Y	1K78R12--- + 7174300851	
RC702	HRFT471JBA	R CHIP	1/10 470 OHM J 1608		00001	1K78R12---	IC REGULATOR	KIA78R12API	
RC704	HRFT103JBA	R CHIP	1/10 10K OHM J 1608		0000A	4857026900	HEAT SINK	AL EX	
RC705	HRFT000JBA	R CHIP	1/10 0 OHM J 1608		0000B	7174300851	SCREW TAPPTITE	TT2 RND 3X8 MFZN 3CR	
RC720	HRFT000JBA	R CHIP	1/10 0 OHM J 1608		I807	1K1A278R05	IC REGULATOR	KIA278R05PI 5.0V 2.0A TO-220	
RC722	HRFT223JBA	R CHIP	1/10 22K OHM J 1608		I809	1DP142---	IC ERROR AMP	DP142	
					L409	58C0000147	COIL CHOKE	CH-103A	
					L413	58C0000161	COIL CHOKE	CH-550Z	



## ELECTRICAL PARTS LIST

LOC	PART CODE	PART NAME	DESCRIPTION	REMARK	LOC	PART CODE	PART NAME	DESCRIPTION	REMARK
L414	58H0000100	COIL H-LINEARITY	TRL-7R5S(2P)		E021	4856310600	EYE LET	BSR T0.2 (R2.3)	
L416	58C0000162	COIL CHOKE	CH-700Z		E022	4856310600	EYE LET	BSR T0.2 (R2.3)	
L418	58C0000162	COIL CHOKE	CH-700Z		E023	4856310600	EYE LET	BSR T0.2 (R2.3)	
L801	58C0000165	COIL CHOKE PFC	CPC-281A		E024	4856310300	EYE LET	BSR T0.2 (R1.6)	
LF401	58C0000127	COIL CHOKE	CH-481A		E025	4856310600	EYE LET	BSR T0.2 (R2.3)	
LF801	5PLF35A3—	FILTER LINE	LF-35A3		E026	4856310600	EYE LET	BSR T0.2 (R2.3)	
M352	4853535500	HOLDER AC CORD	NYLON 66		E027	4856310600	EYE LET	BSR T0.2 (R2.3)	
P804	4859235320	CONN WAFER	YW025-10		E028	4856310600	EYE LET	BSR T0.2 (R2.3)	
P805	4859235520	CONN WAFER	YW025-12		E029	4856310600	EYE LET	BSR T0.2 (R2.3)	
P806	4859235520	CONN WAFER	YW025-12		E030	4856310300	EYE LET	BSR T0.2 (R1.6)	
PWC1	4859906210	CORD POWER AS	LP-21R+H03VVH2+LOCK-2200		E031	4856310300	EYE LET	BSR T0.2 (R1.6)	
Q402	PTB2SW8234	HEAT SINK ASS Y	TFJL6920— + 7174301051 + 4587019500		E033	4856310300	EYE LET	BSR T0.2 (R1.6)	
00001	TFJL6920—	TR HORI	FJL6920		E034	4856310300	EYE LET	BSR T0.2 (R1.6)	
0000A	4857028234	HEAT SINK	AL EX BK		E035	4856310300	EYE LET	BSR T0.2 (R1.6)	
0000B	7174301051	SCREW TAPPTITE	TT2 RND 3X10 MFZN 3CR		E036	4856310300	EYE LET	BSR T0.2 (R1.6)	
0000C	4857619500	INSU PLATE	SILICON RUBBER T0.3		E037	4856310600	EYE LET	BSR T0.2 (R2.3)	
Q403	PTP2SW6902	HEAT SINK ASS Y	TFQP6N50— + 7174300851		E038	4856310600	EYE LET	BSR T0.2 (R2.3)	
00001	TFQP6N50—	FET	FQP6N50 TO-220 500V 5.5A		E039	4856310600	EYE LET	BSR T0.2 (R2.3)	
0000A	4857026902	HEAT SINK	AL EX BK		E040	4856310600	EYE LET	BSR T0.2 (R2.3)	
0000B	7174300851	SCREW TAPPTITE	TT2 RND 3X8 MFZN 3CR		E041	4856310300	EYE LET	BSR T0.2 (R1.6)	
Q405	TKTC4793—	TR	KTC4793 TO-220IS 230V 1A		E042	4856310300	EYE LET	BSR T0.2 (R1.6)	
R801	RX10T339J-	R CEMENT	10W 3.3 OHM J TRIPOD		E043	4856310300	EYE LET	BSR T0.2 (R1.6)	
R810	RM02Y158J-	R METAL FLAT	2W 0.15 OHM J		E044	4856310300	EYE LET	BSR T0.2 (R1.6)	
R811	DDC7R0M290	POSISTOR	ECPCD7R0M290		E045	4856310300	EYE LET	BSR T0.2 (R1.6)	
R813	RW02Z478J-	R WIRE WOUND	2W 0.47 J		E046	4856310300	EYE LET	BSR T0.2 (R1.6)	
R841	RX05B151J-P	R CEMENT	5W 150 OHM J BEN 15MM 4P		E047	4856310300	EYE LET	BSR T0.2 (R1.6)	
RLY1	5SC0101003	SW RELAY	DG12D1-Q(M)-II 1C-1P		E049	4856310300	EYE LET	BSR T0.2 (R1.6)	
T401	50D25A3—	TRANS DRIVE	TD-25A3		E050	4856310300	EYE LET	BSR T0.2 (R1.6)	
T402	50H0000309	FBT	BSC29-0185F		E051	4856310300	EYE LET	BSR T0.2 (R1.6)	
T801	50M5345D1-	TRANS SMPS	TSM-5345D1		E052	4856310300	EYE LET	BSR T0.2 (R1.6)	
TF401	50D28A1—	TRANS DRIVE	TD-28A1		E053	4856310300	EYE LET	BSR T0.2 (R1.6)	
ZZ200	PTPWJ0E210	PCB POWER (RHU) AS	DTT-3250ZH		E054	4856310300	EYE LET	BSR T0.2 (R1.6)	
C412	CEXF1E102V	C ELECTRO	25V RSS 1000MF (13X20) TP		E055	4856310300	EYE LET	BSR T0.2 (R1.6)	
C413	CEXF2E100V	C ELECTRO	250V RSS 10MF (10X20) TP		E056	4856310300	EYE LET	BSR T0.2 (R1.6)	
C418	CEXF1E102V	C ELECTRO	25V RSS 1000MF (13X20) TP		E057	4856310300	EYE LET	BSR T0.2 (R1.6)	
C431	CXCB3D471K	C CERA	2KV B 470PF K (TAPPING)		E058	4856310300	EYE LET	BSR T0.2 (R1.6)	
C806	CEXF1V102V	C ELECTRO	35V RSS 1000MF (13X25) TP		E061	4856310300	EYE LET	BSR T0.2 (R1.6)	
C803	CXCB3A472K	C CERA	1KV B 4700PF K (TAPPING)		E064	4856310300	EYE LET	BSR T0.2 (R1.6)	
C804	CXCB3A472K	C CERA	1KV B 4700PF K (TAPPING)		E065	4856310300	EYE LET	BSR T0.2 (R1.6)	
C815	CEXF1H102V	C ELECTRO	50V RSS 1000MF (16X25) TP		E066	4856310300	EYE LET	BSR T0.2 (R1.6)	
C816	CEXF1E222V	C ELECTRO	25V RSS 2200MF (16X25) TP		E3	4856310300	EYE LET	BSR T0.2 (R1.6)	
C817	CEXF1C102V	C ELECTRO	16V RSS 1000MF (10X20) TP		E814	4856310600	EYE LET	BSR T0.2 (R2.3)	
C818	CEXF1C102V	C ELECTRO	16V RSS 1000MF (10X20) TP		E820	4856310600	EYE LET	BSR T0.2 (R2.3)	
C819	CEXF1E222V	C ELECTRO	25V RSS 2200MF (16X25) TP		E821	4856310600	EYE LET	BSR T0.2 (R2.3)	
C824	CEXF1C471V	C ELECTRO	16V RSS 470MF (8X12)TP		E826	4856310300	EYE LET	BSR T0.2 (R1.6)	
C829	CEXF1C102V	C ELECTRO	16V RSS 1000MF (10X20) TP		E841	4856310300	EYE LET	BSR T0.2 (R1.6)	
ZZ200	PTPWJBE210	PCB POWER M-10 AS	DTT-3250ZH		E842	4856310300	EYE LET	BSR T0.2 (R1.6)	
10	2TM18006BE	TAPE MASKING	6.2X500		E849	4856310300	EYE LET	BSR T0.2 (R1.6)	
E001	4856310600	EYE LET	BSR T0.2 (R2.3)		E898	4856310300	EYE LET	BSR T0.2 (R1.6)	
E002	4856310600	EYE LET	BSR T0.2 (R2.3)		E901	4856310600	EYE LET	BSR T0.2 (R2.3)	
E003	4856310600	EYE LET	BSR T0.2 (R2.3)		E902	4856310600	EYE LET	BSR T0.2 (R2.3)	
E004	4856310300	EYE LET	BSR T0.2 (R1.6)		P350	485923162S	CONN WAFER	YW025-03 (STICK)	
E005	4856310300	EYE LET	BSR T0.2 (R1.6)		P401A	4857417500	TERM PIN	DA-IB0214(D2.3/DY PIN)	
E006	4856310600	EYE LET	BSR T0.2 (R2.3)		P401B	4857417500	TERM PIN	DA-IB0214(D2.3/DY PIN)	
E007	4856310600	EYE LET	BSR T0.2 (R2.3)		P401C	4857417500	TERM PIN	DA-IB0214(D2.3/DY PIN)	
E008	4856310300	EYE LET	BSR T0.2 (R1.6)		P401D	4857417500	TERM PIN	DA-IB0214(D2.3/DY PIN)	
E009	4856310600	EYE LET	BSR T0.2 (R2.3)		P601	485923172S	CONN WAFER	YW025-04 (STICK)	
E010	4856310600	EYE LET	BSR T0.2 (R2.3)		P602	485923202S	CONN WAFER	YW025-07 (STICK)	
E011	4856310600	EYE LET	BSR T0.2 (R2.3)		P802A	4857417500	TERM PIN	DA-IB0214(D2.3/DY PIN)	
E012	4856310600	EYE LET	BSR T0.2 (R2.3)		P802B	4857417500	TERM PIN	DA-IB0214(D2.3/DY PIN)	
E013	4856310600	EYE LET	BSR T0.2 (R2.3)		P803A	4857417500	TERM PIN	DA-IB0214(D2.3/DY PIN)	
E014	4856310300	EYE LET	BSR T0.2 (R1.6)		P803B	4857417500	TERM PIN	DA-IB0214(D2.3/DY PIN)	
E015	4856310300	EYE LET	BSR T0.2 (R1.6)		P902	485923182S	CONN WAFER	YW025-05 (STICK)	
E016	4856310300	EYE LET	BSR T0.2 (R1.6)		P904	485923172S	CONN WAFER	YW025-04 (STICK)	
E017	4856310300	EYE LET	BSR T0.2 (R1.6)		R310	RS02Z271JS	R M-OXIDE FILM	2W 270 OHM J SMALL	
E018	4856310300	EYE LET	BSR T0.2 (R1.6)		R408	RF02Z478K-	R FUSIBLE	2W 0.47 OHM K (TAPPING)	
E019	4856310300	EYE LET	BSR T0.2 (R1.6)		R409	RF02Z479J-	R FUSIBLE	2W 4.7 OHM J (TAPPING)	
E020	4856310300	EYE LET	BSR T0.2 (R1.6)		R411	RS02Z472JS	R M-OXIDE FILM	2W 4.7K OHM J SMALL	

## ELECTRICAL PARTS LIST

LOC	PART CODE	PART NAME	DESCRIPTION	REMARK	LOC	PART CODE	PART NAME	DESCRIPTION	REMARK
R414	RF01Z278K-	R FUSIBLE	1W 0.27 OHM K (TP)		D308	DUZ22BM—	DIODE ZENER	UZ-22BM	
R416	RF01Z309J-	R FUSIBLE	1W 3 OHM J (TAPPING)		D309	DUZ22BM—	DIODE ZENER	UZ-22BM	
R420	RF02Z478K-	R FUSIBLE	2W 0.47 OHM K (TAPPING)		D404	D1N4937G—	DIODE	1N4937G (TAPPING)	
R422	RF02Z478K-	R FUSIBLE	2W 0.47 OHM K (TAPPING)		D413	DUZ5R1B—	DIODE ZENER	UZ-5.1B	
R820	RS02Z333JS	R M-OXIDE FILM	2W 33K OHM J SMALL		D416	85801060GY	WIRE COPPER	1/0.6 TIN COATING	
R840	RS02Z753JS	R M-OXIDE FILM	2W 75K OHM J SMALL		D417	85801060GY	WIRE COPPER	1/0.6 TIN COATING	
RF401	RF02Z338K-	R FUSIBLE	2W 0.33 OHM K (TAPPING)		D422	DUZ15BM—	DIODE ZENER	UZ-15BM	
ZZ200	PTPWJRE210	PCB POWER RADIAL AS	DTT-3250ZH		D601	D1N4148—	DIODE	1N4148 (TAPPING)	
C301	CMXM2A223J	C MYLAR	100V 0.022MF J TP		D602	D1N4148—	DIODE	1N4148 (TAPPING)	
C302	CMXM2A683J	C MYLAR	100V 0.068MF J (TP)		D801	DLT2A05G—	DIODE	LT2A05G (TP)	
C303	CMXM2A683J	C MYLAR	100V 0.068MF J (TP)		D802	DLT2A05G—	DIODE	LT2A05G (TP)	
C304	CEXF1H101V	C ELECTRO	50V RSS 100MF (8X11.5) TP		D803	DLT2A05G—	DIODE	LT2A05G (TP)	
C305	CMXM2A273J	C MYLAR	100V 0.027MF J (TP)		D804	DLT2A05G—	DIODE	LT2A05G (TP)	
C350	CMXM2A104J	C MYLAR	100V 0.1MF J (TP)		D807	D1N4937G—	DIODE	1N4937G (TAPPING)	
C351	CCXB1H221K	C CERA	50V B 220PF K (TAPPING)		D808	D1N4937G—	DIODE	1N4937G (TAPPING)	
C402	CCXB1H472K	C CERA	50V B 4700PF K (TAPPING)		D809	D1N4148—	DIODE	1N4148 (TAPPING)	
C411	CCXB2H102K	C CERA	500V B 1000PF K (TAPPING)		D810	DUZ6R2BM—	DIODE ZENER	UZ-6.2BM	
C420	CEXF1C221V	C ELECTRO	16V RSS 220MF (8X11.5) TP		D812	D1N4937G—	DIODE	1N4937G (TAPPING)	
C423	CMXM2A823J	C MYLAR	100V 0.082MF J (TP)		D816	D1N4937G—	DIODE	1N4937G (TAPPING)	
C436	CMXM2A272J	C MYLAR	100V 2700PF J (TP)		D818	DUZ3R9B—	DIODE ZENER	UZ-3.9B	
C437	CCXB1H681K	C CERA	50V B 680PF K (TAPPING)		D821	D1N4148—	DIODE	1N4148 (TAPPING)	
C450	CMXM2A273J	C MYLAR	100V 0.027MF J (TP)		D830	D1N4937G—	DIODE	1N4937G (TAPPING)	
C451	CEXF1H100V	C ELECTRO	50V RSS 10MF (5X11) TP		D850	D1N4937G—	DIODE	1N4937G (TAPPING)	
C452	CEXF1H100V	C ELECTRO	50V RSS 10MF (5X11) TP		J001	85801060GY	WIRE COPPER	1/0.6 TIN COATING	
C601	CMXL1J224J	C MYLAR	63V MEU 0.22MF J (TP)		J002	85801060GY	WIRE COPPER	1/0.6 TIN COATING	
C602	CEXF1H100V	C ELECTRO	50V RSS 10MF (5X11) TP		J003	85801060GY	WIRE COPPER	1/0.6 TIN COATING	
C603	CMXL1J224J	C MYLAR	63V MEU 0.22MF J (TP)		J004	85801060GY	WIRE COPPER	1/0.6 TIN COATING	
C604	CMXL1J224J	C MYLAR	63V MEU 0.22MF J (TP)		J005	85801060GY	WIRE COPPER	1/0.6 TIN COATING	
C605	CMXL1J224J	C MYLAR	63V MEU 0.22MF J (TP)		J006	85801060GY	WIRE COPPER	1/0.6 TIN COATING	
C608	CMXM2A332J	C MYLAR	100V 3300PF J (TP)		J007	85801060GY	WIRE COPPER	1/0.6 TIN COATING	
C609	CEXF1C470V	C ELECTRO	16V RSS 47MF (5X11) TP		J008	85801060GY	WIRE COPPER	1/0.6 TIN COATING	
C610	CEXF1H479V	C ELECTRO	50V RSS 4.7MF (5X11) TP		J009	85801060GY	WIRE COPPER	1/0.6 TIN COATING	
C611	CMXM2A332J	C MYLAR	100V 3300PF J (TP)		J010	85801060GY	WIRE COPPER	1/0.6 TIN COATING	
C808	CEXF1H220V	C ELECTRO	50V RSS 22MF (5X11) TP		J011	85801060GY	WIRE COPPER	1/0.6 TIN COATING	
C810	CMXM2A104J	C MYLAR	100V 0.1MF J (TP)		J012	85801060GY	WIRE COPPER	1/0.6 TIN COATING	
C811	CEXF1H109V	C ELECTRO	50V RSS 1MF (5X11) TP		J013	85801060GY	WIRE COPPER	1/0.6 TIN COATING	
C822	CCXB1H821K	C CERA	50V B 820PF K (TAPPING)		J014	85801060GY	WIRE COPPER	1/0.6 TIN COATING	
C831	CEXD1E100F	C ELECTRO	25V RND 10MF (5X11) TP		J015	85801060GY	WIRE COPPER	1/0.6 TIN COATING	
F801	5FWPS4022L	FUSE	WIDE TL 250V 4A CASE		J016	85801060GY	WIRE COPPER	1/0.6 TIN COATING	
L804	58CX430599	COIL CHOKE	AZ-9004Y 940K TP		J017	85801060GY	WIRE COPPER	1/0.6 TIN COATING	
Q350	T2SD1207T-	TR	2SD1207-T (TAPPING)		J018	85801060GY	WIRE COPPER	1/0.6 TIN COATING	
Q351	TKTC3198Y-	TR	KTC3198Y		J019	85801060GY	WIRE COPPER	1/0.6 TIN COATING	
Q352	T2SD1207T-	TR	2SD1207-T (TAPPING)		J020	85801060GY	WIRE COPPER	1/0.6 TIN COATING	
Q601	TKTA1266Y-	TR	KTA1266Y (TP)		J021	85801060GY	WIRE COPPER	1/0.6 TIN COATING	
Q602	TKTC3198Y-	TR	KTC3198Y		J022	85801060GY	WIRE COPPER	1/0.6 TIN COATING	
Q802	TKTC3198Y-	TR	KTC3198Y		J023	85801060GY	WIRE COPPER	1/0.6 TIN COATING	
Q803	TKTC3198Y-	TR	KTC3198Y		J024	85801060GY	WIRE COPPER	1/0.6 TIN COATING	
Q804	TKTC3203Y-	TR	KTC3203-Y		J025	85801060GY	WIRE COPPER	1/0.6 TIN COATING	
R353	RN02B101JS	R METAL FILM	2W 100 OHM J SMALL		J026	85801060GY	WIRE COPPER	1/0.6 TIN COATING	
R354	RN02B181JS	R METAL FILM	2W 180 OHM J SMALL		J027	85801060GY	WIRE COPPER	1/0.6 TIN COATING	
R403	RN02B152JS	R METAL FILM	2W 1.5K OHM J SMALL		J028	85801060GY	WIRE COPPER	1/0.6 TIN COATING	
R439	RN02B561JS	R METAL FILM	2W 560 OHM J SMALL		J032	85801060GY	WIRE COPPER	1/0.6 TIN COATING	
R461	RN02B561JS	R METAL FILM	2W 560 OHM J SMALL		J033	85801060GY	WIRE COPPER	1/0.6 TIN COATING	
R462	RN02B102JS	R METAL FILM	2W 1K OHM J SMALL		J034	85801060GY	WIRE COPPER	1/0.6 TIN COATING	
RF402	RN02B472JS	R METAL FILM	2W 4.7K OHM J SMALL		J035	85801060GY	WIRE COPPER	1/0.6 TIN COATING	
ZZ200	PTPWJAE210	PCB POWER AXIAL AS	DTT-3250ZH		J036	85801060GY	WIRE COPPER	1/0.6 TIN COATING	
10	27M14006LB	TAPE MASKING	3M #232 6.0X2000M		J037	85801060GY	WIRE COPPER	1/0.6 TIN COATING	
20	27M10006LB	TAPE MASKING	3M #232-MAP-C 6.2X2000M		J038	85801060GY	WIRE COPPER	1/0.6 TIN COATING	
A001	4859816411	PCB POWER	330X246 D1B		L301	5MC0000100	COIL BEAD	HC-3550	
C607	CBZF1H104Z	C CERA SEMI	50V F 0.1MF Z		L302	5MC0000100	COIL BEAD	HC-3550	
C809	CCZB1H471K	C CERA	50V B 470PF K (AXIAL)		L303	5MC0000100	COIL BEAD	HC-3550	
D301	D1N4937G—	DIODE	1N4937G (TAPPING)		L304	5MC0000100	COIL BEAD	HC-3550	
D302	DUZ5R1B—	DIODE ZENER	UZ-5.1B		L350	5MC0000100	COIL BEAD	HC-3550	
D303	DUZ33B—	DIODE ZENER	UZ-33B		L401	5MC0000100	COIL BEAD	HC-3550	
D304	DUZ33B—	DIODE ZENER	UZ-33B		L402	5MC0000100	COIL BEAD	HC-3550	
D305	DUZ22BM—	DIODE ZENER	UZ-22BM		L403	5MC0000100	COIL BEAD	HC-3550	
D306	DUZ5R6BM—	DIODE ZENER	UZ-5.6BM		L404	5MC0000100	COIL BEAD	HC-3550	
D307	DUZ5R6BM—	DIODE ZENER	UZ-5.6BM		L405	5MC0000100	COIL BEAD	HC-3550	

## ELECTRICAL PARTS LIST

LOC	PART CODE	PART NAME	DESCRIPTION	REMARK	LOC	PART CODE	PART NAME	DESCRIPTION	REMARK
L406	5CPZ479K04	COIL PEAKING	4.7UH K (AXIAL 10.5MM)		I902	PTK1SW8902	HEAT SINK ASS'Y	1TDA6111Q- + 7174300851	
L407	85801060GY	WIRE COPPER	1/0.6 TIN COATING		00001	1TDA6111Q-	IC AMP	TDA6111Q	
L802	5MC0000100	COIL BEAD	HC-3550		0000A	4857018902	HEAT SINK	A1050P-H24	
L803	5MC0000100	COIL BEAD	HC-3550		0000B	7174300851	SCREW TAPPTITE	TT2 RND 3X8 MFZN 3CR	
R301	RN-AZ6201F	R METAL FILM	1/6 6.20K OHM F		I903	PTK1SW8902	HEAT SINK ASS'Y	1TDA6111Q- + 7174300851	
R303	RN-AZ4701F	R METAL FILM	1/6 4.7K OHM F		00001	1TDA6111Q-	IC AMP	TDA6111Q	
R304	RN-AZ1102F	R METAL FILM	1/6 11.0K OHM F		0000A	4857018902	HEAT SINK	A1050P-H24	
R305	RD-AZ474J-	R CARBON FILM	1/6 470K OHM J		0000B	7174300851	SCREW TAPPTITE	TT2 RND 3X8 MFZN 3CR	
R306	RD-Z242J-	R CARBON FILM	1/4 2.4K OHM J		I904	PTA2SW7723	HEAT SINK ASS'Y	1STK396130	
R307	RN-4Z1008F	R METAL FILM	1/4 1 OHM F		00001	1STK396130	IC VM	STK396-130	
R308	RD-Z229J-	R CARBON FILM	1/2 2.2 OHM J		0000A	485702723	HEAT SINK	AL EX	
R309	RD-AZ202J-	R CARBON FILM	1/6 2K OHM J		0000B	4853954700	BRKT	SUS304 T0.5	
R311	RN-AZ2201F	R METAL FILM	1/6 2.2K OHM F		0000C	7178300812	SCREW TAPPTITE	TT2 WAS 3X8 BK	
R312	RN-AZ5601F	R METAL FILM	1/6 5.6K OHM F		IQ01	1TSOP34838	IC PREAMP	TSOP34838SJ	
R313	RN-AZ6801F	R METAL FILM	1/6 6.8K OHM F		JPA03	4859105340	JACK S-VHS	DSW-10 (STRAIGHT)	
R320	RN-4Z1008F	R METAL FILM	1/4 1 OHM F		JPA04	4859105240	JACK PHONE	LGT1516-0100	
R321	RN-4Z1008F	R METAL FILM	1/4 1 OHM F		JPA05	4859105450	JACK PIN BOARD	YSC03P-4120-9S	
R350	RD-AZ101J-	R CARBON FILM	1/6 100 OHM J		M111	4851116910	PANEL AV AS	2332011+5943100	
R351	RD-AZ152J-	R CARBON FILM	1/6 1.5K OHM J		M111A	7178301252	SCREW TAPPTITE	TT2 WAS 3X12 MFZN BK 3CR	
R352	RD-AZ391J-	R CARBON FILM	1/6 390 OHM J		M231	4852331911	PANEL CTRL	HIPS GY	
R355	RD-AZ562J-	R CARBON FILM	1/6 5.6K OHM J		M321	4953200600	BRKT POWER	EGI T1.2	
R356	RD-AZ912J-	R CARBON FILM	1/4 9.1K OHM J		M321A	7063300652	SCREW MACHINE	BIN 3X6 MFZN BK 3CR	
R401	RD-AZ561J-	R CARBON FILM	1/4 560 OHM J		M351	4853568111	HOLDER SENSOR	ABS GY	
R404	RD-4Z100J-	R CARBON FILM	1/4 10 OHM J		M491	4854962711	BUTTON CH	ABS GY	
R406	RD-2Z102J-	R CARBON FILM	1/2 1K OHM J		M491A	7178301252	SCREW TAPPTITE	TT2 WAS 3X12 MFZN BK 3CR	
R412	RD-4Z122J-	R CARBON FILM	1/4 1.2K OHM J		M551	4855555300	DECO SENSOR	GPPS MILKY	
R431	RD-4Z102J-	R CARBON FILM	1/4 1K OHM J		P906	4859238620	CONN WAFER	YPW500-02	
R433	RD-2Z101J-	R CARBON FILM	1/2 100 OHM J		P908	4859205620	CONN WAFER	LW-0640-03	
R434	RD-2Z271J-	R CARBON FILM	1/2 270 OHM J		PA602	4850707S03	CONNECTOR	YH025-07+YST025+ULW=600	
R435	RN-4Z2701F	R METAL FILM	1/4 2.70K OHM F		PA801	4950702011	CONNECTOR	YFH800-02+YDT236+ULW=500	
R437	RD-AZ103J-	R CARBON FILM	1/6 10K OHM J		PA901	4850709S11	CONNECTOR	YH025-09+YBNH250-09+USW=400	
R440	RD-AZ272J-	R CARBON FILM	1/6 2.7K OHM J		PA902	4850705S04	CONNECTOR	YH025-05+YBNH250+ULW=400	
R442	RD-AZ689J-	R CARBON FILM	1/4 6.8 OHM J		PA903	4850704S04	CONNECTOR	YH025-04+YST025+ULW=400	
R601	RD-AZ103J-	R CARBON FILM	1/6 10K OHM J		PAA01	4850709S03	CONNECTOR	YH025-09+YST025+ULW=400	
R602	RD-AZ182J-	R CARBON FILM	1/6 1.8K OHM J		PQA01	4850703S70	CONNECTOR	YH025-03+YBH250-03+ULW=400	
R603	RD-AZ104J-	R CARBON FILM	1/6 100K OHM J		PQA02	4850706S02	CONNECTOR	YH025-06+YBNH025-06+ULW=400	
R604	RD-AZ182J-	R CARBON FILM	1/6 1.8K OHM J		Q907	T2SC4634LS	TR	2SC4634LS	
R605	RD-AZ474J-	R CARBON FILM	1/6 470K OHM J		SCT01	4859304630	SOCKET CRT	PCS 702-01	
R606	RD-AZ474J-	R CARBON FILM	1/6 470K OHM J		SW801	5S40101006	SW PUSH	KDC-A04-10(B)-A1-F	
R607	RD-AZ103J-	R CARBON FILM	1/6 10K OHM J		ZZ200	PTCPJOE210	PCB CRT RHU AS	DTT-3250ZH	
R608	RD-AZ152J-	R CARBON FILM	1/6 1.5K OHM J		C903	CEXF2C100V	C ELECTRO	160V RSS 10MF (10X16) TP	
R609	RD-AZ103J-	R CARBON FILM	1/6 10K OHM J		C906	CEXF2E100V	C ELECTRO	250V RSS 10MF (10X20) TP	
R802	RC-Z2824KP	R CARBON COMP	1/2 820K OHM K		C924	CEXF2E100V	C ELECTRO	250V RSS 10MF (10X20) TP	
R803	RD-2Z105J-	R CARBON FILM	1/2 1M OHM J		C925	CEXF2E479V	C ELECTRO	250V RSS 4.7MF (10X16)TP	
R804	RD-2Z224J-	R CARBON FILM	1/2 220K OHM J		ZZ200	PTCPJBE210	PCB CRT M-10 AS	DTT-3250ZH	
R805	RD-4Z100J-	R CARBON FILM	1/4 10 OHM J		10	2TM18006BE	TAPE MASKING	6.2X500	
R806	RD-4Z152J-	R CARBON FILM	1/4 1.5K OHM J		P904	4857417500	TERM PIN	DA-I80214(D2.3)DY PIN)	
R807	RD-4Z202J-	R CARBON FILM	1/4 2K OHM J		R907	RS01Z100J-	R M-OXIDE FILM	1W 10 OHM J (TAPPING)	
R809	RD-4Z331J-	R CARBON FILM	1/4 330 OHM J		R908	RS02Z331JS	R M-OXIDE FILM	2W 330 OHM J SMALL	
R812	RC-Z2825KP	R CARBON COMP	1/2 8.2M OHM K		R915	RS02Z221JS	R M-OXIDE FILM	2W 220 OHM J SMALL	
R816	RD-4Z102J-	R CARBON FILM	1/4 1K OHM J		R939	RS02Z563JS	R M-OXIDE FILM	2W 56K OHM J SMALL	
R821	RD-4Z392J-	R CARBON FILM	1/4 3.9K OHM J		R940	RS02Z563JS	R M-OXIDE FILM	2W 56K OHM J SMALL	
R822	RD-AZ103J-	R CARBON FILM	1/6 10K OHM J		R941	RS02Z563JS	R M-OXIDE FILM	2W 56K OHM J SMALL	
R823	RD-4Z301J-	R CARBON FILM	1/4 300 OHM J		R977	RS01Z399J-	R M-OXIDE FILM	1W 3.9 OHM J (TAPPING)	
R824	RD-4Z473J-	R CARBON FILM	1/4 47K OHM J		ZZ200	PTCPJRE210	PCB CRT RADIAL AS	DTT-3250ZH	
R825	RD-AZ223J-	R CARBON FILM	1/6 22K OHM J		C640	CEXF1H479A	C ELECTRO	50V RSM 4.7MF 4X7	
R826	RD-AZ102J-	R CARBON FILM	1/6 1K OHM J		C641	CEXF1H479A	C ELECTRO	50V RSM 4.7MF 4X7	
R830	RD-4Z302J-	R CARBON FILM	1/4 3K OHM J		C902	CCXF1H103Z	C CERA	50V F 0.01MF Z (TAPPING)	
R831	85801060GY	WIRE COPPER	1/0.6 TIN COATING		C904	CCXF2H103Z	C CERA	HIKF 500V 0.01MF Z	
R832	RD-AZ103J-	R CARBON FILM	1/6 10K OHM J		C905	CEXF1V101V	C ELECTRO	35V RSS 100MF (8X11.5) TP	
ZZ310	PTCPMSE210	PCB CRT MANUAL AS	DTT-3250ZH		C907	CCXF2H103Z	C CERA	HIKF 500V 0.01MF Z	
C943	CH1HFE102M	C CERA AC	4.0KV 1000PF E DG		C908	CCXB1H271K	C CERA	50V B 270PF K (TAPPING)	
DQ01	DH1L25RS-	LED (RED)	HL-L25RS		C909	CEXF1C101V	C ELECTRO	16V RSS 100MF (6.3X11) TP	
DQ02	DH1L25G-	"LED (R,G-3 COLOR)"	HL-L25G		C912	4SGDX0001	SPARK GAP	SSG-102-A1(1.0KV) TAP	
I901	PTK1SW8902	HEAT SINK ASS'Y	1TDA6111Q- + 7174300851		C914	CEXF1C101V	C ELECTRO	16V RSS 100MF (6.3X11) TP	
00001	1TDA6111Q-	IC AMP	TDA6111Q		C915	CXSL2H470J	C CERA	500V SL 47PF J (TAPPING)	
0000A	4857018902	HEAT SINK	A1050P-H24		C919	CEXF1V101V	C ELECTRO	35V RSS 100MF (8X11.5) TP	
0000B	7174300851	SCREW TAPPTITE	TT2 RND 3X8 MFZN 3CR		C920	CEXF1C101V	C ELECTRO	16V RSS 100MF (6.3X11) TP	

## ELECTRICAL PARTS LIST

LOC	PART CODE	PART NAME	DESCRIPTION	REMARK	LOC	PART CODE	PART NAME	DESCRIPTION	REMARK
C922	CCXB2H561K	C CERA	500V B 560PF K (TAPPING)		J902	85801060GY	WIRE COPPER	1/0.6 TIN COATING	
C923	CMXL2E104K	C MYLAR	250V MEU 0.1MF K		J903	85801060GY	WIRE COPPER	1/0.6 TIN COATING	
C928	CEXF1H220V	C ELECTRO	50V RSS 22MF (5X11) TP		J904	85801060GY	WIRE COPPER	1/0.6 TIN COATING	
C929	CMXM2A104J	C MYLAR	100V 0.1MF J (TP)		J905	85801060GY	WIRE COPPER	1/0.6 TIN COATING	
C930	CMXM2A104J	C MYLAR	100V 0.1MF J (TP)		J908	85801060GY	WIRE COPPER	1/0.6 TIN COATING	
C931	CMXM2A103J	C MYLAR	100V 0.01MF J (TP)		J909	85801060GY	WIRE COPPER	1/0.6 TIN COATING	
C932	CMXL2E104K	C MYLAR	250V MEU 0.1MF K		J910	85801060GY	WIRE COPPER	1/0.6 TIN COATING	
C934	CMXL2E104K	C MYLAR	250V MEU 0.1MF K		J921	85801060GY	WIRE COPPER	1/0.6 TIN COATING	
C935	CMXM2A104J	C MYLAR	100V 0.1MF J (TP)		J922	85801060GY	WIRE COPPER	1/0.6 TIN COATING	
C936	CMXM2A104J	C MYLAR	100V 0.1MF J (TP)		J923	85801060GY	WIRE COPPER	1/0.6 TIN COATING	
C937	CCXB2H561K	C CERA	500V B 560PF K (TAPPING)		L904	5MC0000100	COIL BEAD	HC-3550	
C938	CMXM2A104J	C MYLAR	100V 0.1MF J (TP)		L906	5MC0000100	COIL BEAD	HC-3550	
C939	CMXM2A104J	C MYLAR	100V 0.1MF J (TP)		R640	RD-2Z300J-	R CARBON FILM	1/2 30 OHM J	
C941	CCXB2H561K	C CERA	500V B 560PF K (TAPPING)		R641	RD-2Z300J-	R CARBON FILM	1/2 30 OHM J	
C944	4SG0DX0001	SPARK GAP	SSG-102-A1(1.0KV) TAP		R901	RD-2Z472J-	R CARBON FILM	1/2 4.7K OHM J	
C945	4SG0DX0001	SPARK GAP	SSG-102-A1(1.0KV) TAP		R902	RD-4Z102J-	R CARBON FILM	1/4 1K OHM J	
C946	4SG0DX0001	SPARK GAP	SSG-102-A1(1.0KV) TAP		R903	RD-4Z102J-	R CARBON FILM	1/4 1K OHM J	
C947	CEXF1C101V	C ELECTRO	16V RSS 100MF (6.3X11) TP		R909	RD-AZ471J-	R CARBON FILM	1/6 470 OHM J	
C948	CBXF1H104Z	C CERA SEMI	50V F 0.1MF Z (TAPPING)		R911	RD-2Z104J-	R CARBON FILM	1/2 100K OHM J	
C950	CEXF1H100V	C ELECTRO	50V RSS 10MF (5X11) TP		R912	RD-4Z472J-	R CARBON FILM	1/4 4.7K OHM J	
CQ01	CEXF1C101A	C ELECTRO	16V RSM 100MF 6X7 TP		R917	RD-AZ473J-	R CARBON FILM	1/6 47K OHM J	
Q901	TKTA1266Y-	TR	KTA1266Y (TP)		R919	RD-2Z562J-	R CARBON FILM	1/2 5.6K OHM J	
Q902	TKTA1266Y-	TR	KTA1266Y (TP)		R920	RD-2Z100J-	R CARBON FILM	1/2 10 OHM J	
Q903	TKTA1266Y-	TR	KTA1266Y (TP)		R924	RD-AZ910J-	R CARBON FILM	1/6 91 OHM J	
Q906	TKTC3198Y-	TR	KTC3198Y		R926	RD-2Z152J-	R CARBON FILM	1/2 1.5K OHM J	
QQ01	TKTC3198Y-	TR	KTC3198Y		R927	RD-2Z152J-	R CARBON FILM	1/2 1.5K OHM J	
QQ02	TKTC3198Y-	TR	KTC3198Y		R928	RD-2Z152J-	R CARBON FILM	1/2 1.5K OHM J	
SW01	5S50101Z90	SW TACT	THVV502GDA		R933	RD-AZ911J-	R CARBON FILM	1/6 910 OHM J	
SW02	5S50101Z90	SW TACT	THVV502GDA		R934	RD-AZ911J-	R CARBON FILM	1/6 910 OHM J	
SW03	5S50101Z90	SW TACT	THVV502GDA		R935	RD-AZ182J-	R CARBON FILM	1/6 1.8K OHM J	
SW04	5S50101Z90	SW TACT	THVV502GDA		R936	RD-AZ182J-	R CARBON FILM	1/6 1.8K OHM J	
SW05	5S50101Z90	SW TACT	THVV502GDA		R937	RD-AZ911J-	R CARBON FILM	1/6 910 OHM J	
SW06	5S50101Z90	SW TACT	THVV502GDA		R938	RD-AZ182J-	R CARBON FILM	1/6 1.8K OHM J	
SW07	5S50101Z90	SW TACT	THVV502GDA		R942	RC-2Z102K-	R CARBON COMP	1/2 1K OHM K	
Z640	5PXF1B471M	FILTER EMI	CFI 06 B 1H 470PF		R943	RC-2Z102K-	R CARBON COMP	1/2 1K OHM K	
Z641	5PXF1B471M	FILTER EMI	CFI 06 B 1H 470PF		R944	RC-2Z102K-	R CARBON COMP	1/2 1K OHM K	
ZA70	5PXF1B471M	FILTER EMI	CFI 06 B 1H 470PF		R949	RD-AZ222J-	R CARBON FILM	1/6 2.2K OHM J	
ZA71	5PXF1B471M	FILTER EMI	CFI 06 B 1H 470PF		R950	RD-AZ362J-	R CARBON FILM	1/6 3.6K OHM J	
ZZ200	PTCPJAE210	PCB CRT AXIAL AS	DTT-3250ZH		R952	RC-2Z105KP	R CARBON COMP	1/2 1M OHM K	
10	2TM14006LB	TAPE MASKING	3M #232 6.0X2000M		R955	RD-AZ681J-	R CARBON FILM	1/6 680 OHM J	
20	2TM10006LB	TAPE MASKING	3M #232-MAP-C 6.2X2000M		R956	RN-AZ1801F	R METAL FILM	1/6 1.8K OHM F	
A001	4859813360	PCB UNION	330X246 D1B		R960	RD-AZ103J-	R CARBON FILM	1/6 10K OHM J	
CA71	CCZB1H101K	C CERA	50V B 100PF K (AXIAL)		R972	RD-AZ362J-	R CARBON FILM	1/6 3.6K OHM J	
CA72	CCZB1H101K	C CERA	50V B 100PF K (AXIAL)		R973	RD-AZ362J-	R CARBON FILM	1/6 3.6K OHM J	
CA73	CCZB1H102K	C CERA	50V B 1000PF K (AXIAL)		R975	RD-AZ101J-	R CARBON FILM	1/6 100 OHM J	
CA74	CCZB1H102K	C CERA	50V B 1000PF K (AXIAL)		R978	RD-AZ102J-	R CARBON FILM	1/6 1K OHM J	
CQ02	CBZF1H104Z	C CERA SEMI	50V F 0.1MF Z		R979	RD-AZ471J-	R CARBON FILM	1/6 470 OHM J	
D901	D1N4937G—	DIODE	1N4937G (TAPPING)		RA70	RD-AZ750J-	R CARBON FILM	1/6 75 OHM J	
D902	DUZ10BM—	DIODE ZENER	UZ-10BM		RA71	RD-AZ750J-	R CARBON FILM	1/6 75 OHM J	
D903	D1N4148—	DIODE	1N4148 (TAPPING)		RA72	RD-AZ750J-	R CARBON FILM	1/6 75 OHM J	
D904	D1N4148—	DIODE	1N4148 (TAPPING)		RQ01	RD-AZ271J-	R CARBON FILM	1/6 270 OHM J	
D905	D1N4937G—	DIODE	1N4937G (TAPPING)		RQ02	RD-AZ271J-	R CARBON FILM	1/6 270 OHM J	
D908	DUZ12BM—	DIODE ZENER	UZ-12BM (UNIZON)		RQ03	RD-AZ361J-	R CARBON FILM	1/6 360 OHM J	
D920	D1N4937G—	DIODE	1N4937G (TAPPING)		RQ04	RD-AZ561J-	R CARBON FILM	1/6 560 OHM J	
D921	D1N4937G—	DIODE	1N4937G (TAPPING)		RQ05	RD-AZ102J-	R CARBON FILM	1/6 1K OHM J	
D922	D1N4937G—	DIODE	1N4937G (TAPPING)		RQ06	RD-AZ202J-	R CARBON FILM	1/6 2K OHM J	
D923	D1N4937G—	DIODE	1N4937G (TAPPING)		RQ07	RD-AZ152J-	R CARBON FILM	1/6 1.5K OHM J	
D924	D1N4937G—	DIODE	1N4937G (TAPPING)		RQ08	RD-AZ471J-	R CARBON FILM	1/6 470 OHM J	
D925	DUZ12BM—	DIODE ZENER	UZ-12BM (UNIZON)		RQ09	RD-AZ121J-	R CARBON FILM	1/6 120 OHM J	
D926	DUZ12BM—	DIODE ZENER	UZ-12BM (UNIZON)		RQ10	RD-AZ152J-	R CARBON FILM	1/6 1.5K OHM J	
D927	D1N4148—	DIODE	1N4148 (TAPPING)						
D928	D1N4148—	DIODE	1N4148 (TAPPING)						
D929	D1N4148—	DIODE	1N4148 (TAPPING)						
DA70	DUZ5R6BM—	DIODE ZENER	UZ-5.6BM						
DA71	DUZ5R6BM—	DIODE ZENER	UZ-5.6BM						
DA72	DUZ5R6BM—	DIODE ZENER	UZ-5.6BM						
DA73	DUZ5R6BM—	DIODE ZENER	UZ-5.6BM						
J901	85801060GY	WIRE COPPER	1/0.6 TIN COATING						





**DAEWOO ELECTRONICS CORP.**

686, AHYEON-DONG, MAPO-GU,  
SEOUL, KOREA.

C.P.O. BOX 8003 SEOUL KOREA

**PRINTED DATE : APR. 2006**