

PRELIMINARY DATA SHEET

SKY13267-321, SKY13267-321LF

GaAs T/R Diversity Switch

LF-6 GHz

Applications

- 802.11a/b/g transmit/receive diversity switch

Features

- Broadband: LF-6 GHz
- Very low insertion loss: 0.8 dB typ. @ 5.2 GHz
- $P_{1\text{ dB}}$: +30 dBm typical @ 3 V
- Low distortion: IP3 +44 dBm typical @ 3 V
- Low current consumption: < 15 μA @ 3 V
- Miniature QFN-12 package

Description

The SKY13267-321 is a monolithic DPDT switch fabricated using Skyworks Solutions' proprietary GaAs PHEMTs as the switching elements. This wideband switch operates with RF signals from LF-6 GHz. The RF signal paths within the SKY13267-321 are fully bilateral.

Switching is controlled via two control voltage inputs, which are compatible with CMOS logic levels. Depending upon the logic voltage level applied to the control voltage pins, the TX input pin is connected to one of two antenna ports (ANT1 or ANT2) via a low insertion loss path, while the path between the RX pin is connected to the other antenna port. When the control voltages are toggled, the connections between the TX input and RX output pins and the antenna ports are toggled as well.

DC power consumption is very low, 15 μA maximum with control voltage of 5 V. The switch can operate over the temperature range of -40 °C to 85 °C.

This part is available in a lead (Pb)-free package as part number SKY13267-321LF.

An evaluation board is available upon request.

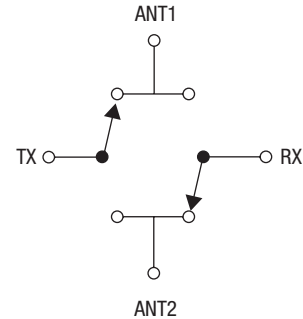


Figure 1. Functional Block Diagram

NEW



Skyworks offers lead (Pb)-free “environmentally friendly” packaging that is RoHS compliant (European Parliament for the Restriction of Hazardous Substances).

Table 1. Electrical Specifications ($V_{CTL} = 0\text{ V}/3\text{V}$, $T = 25\text{ }^\circ\text{C}$, $P_{INPUT} = 0\text{ dBm}$, $Z_0 = 50\text{ }\Omega$, unless otherwise noted)

Parameter	Condition	Frequency	Min.	Typ.	Max.	Unit
Insertion loss	ANT1, ANT2 to TX, RX ports	2.400–2.500 GHz		07	1.0	dB
		5.150–5.350 GHz		0.8	1.1	dB
		5.725–5.825 GHz		0.9	1.2	dB
Isolation	ANT1, ANT2 to TX, RX ports	2.400–2.500 GHz	30	32		dB
		5.150–5.350 GHz	23	25		dB
		5.725–5.825 GHz	21	23		dB
	ANT1 to ANT2, TX to RX ports	2.400–2.500 GHz		23		dB
		5.150–5.350 GHz		20		dB
		5.725–5.825 GHz		20		dB
Return loss	ANT1, ANT2 to TX, RX ports	2.400–2.500 GHz		22		dB
		5.150–5.350 GHz		19		dB
		5.725–5.825 GHz		17		dB

Table 2. Operating Characteristics ($V_{CTL} = 0\text{ V}/3\text{V}$, $T = 25\text{ }^\circ\text{C}$, $P_{INPUT} = 0\text{ dBm}$, $Z_0 = 50\text{ }\Omega$, unless otherwise noted)

Parameter	Condition	Frequency	Min.	Typ.	Max.	Unit
Switching characteristics						
Rise, fall	10/90% or 90/10% RF			20		ns
On, off	50% V_{CTL} to 90/10% RF			40		ns
Video feedthru	Pulse rise time = 1 ns, Measurement BW = 500 MHz			50		mV
Error vector magnitude	802.11a, OFDM, 64 QAM, 54 MBPS, $P_{IN} \leq 27\text{ dBm}$	5.8 GHz		≤ 1		%
Input third order intermodulation intercept	For two input tones. +15 dBm each tone, 5 MHz spacing, $V_{HIGH} = 3\text{ V}$	2.4 GHz		49		dBm
		5.2 GHz		44		dBm
Thermal resistance				25		$^\circ\text{C}/\text{W}$
Control voltage	$V_{LOW} = 0\text{ V}$ @ 10 μA max. $V_{HIGH} = 3\text{ V}$ to 5 V @ 15 μA max.					

Table 3. Absolute Maximum Ratings

Characteristic	Value
Control voltage range	$-0.2 \leq V_C \leq 8\text{ V}$
RF input power @ 0/3V	32 dBm
RF input power @ 0/5V	34 dBm
Storage temperature range	$-65\text{ }^\circ\text{C}$ to $+150\text{ }^\circ\text{C}$
Operating temperature range	$-40\text{ }^\circ\text{C}$ to $+85\text{ }^\circ\text{C}$

Performance is guaranteed only under the conditions listed in the specifications table and is not guaranteed under the full range(s) described by the Absolute Maximum specifications. Exceeding any of the absolute maximum/minimum specifications may result in permanent damage to the device and will void the warranty.

CAUTION: Although this device is designed to be as robust as possible, Electrostatic Discharge (ESD) can damage this device. This device must be protected at all times from ESD. Static charges may easily produce potentials of several kilovolts on the human body or equipment, which can discharge without detection. Industry-standard ESD precautions must be employed at all times.

Typical Performance Data

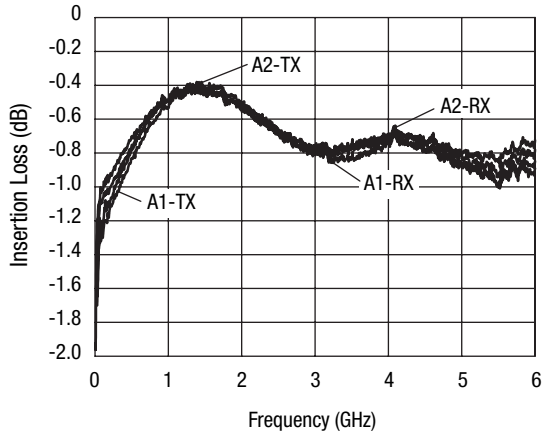


Figure 2. Insertion Loss vs. Frequency

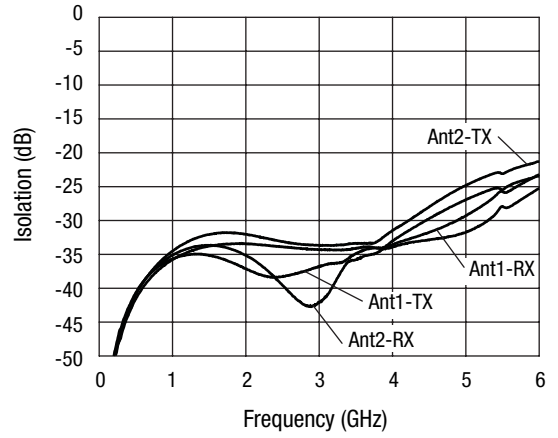


Figure 3. Isolation vs. Frequency

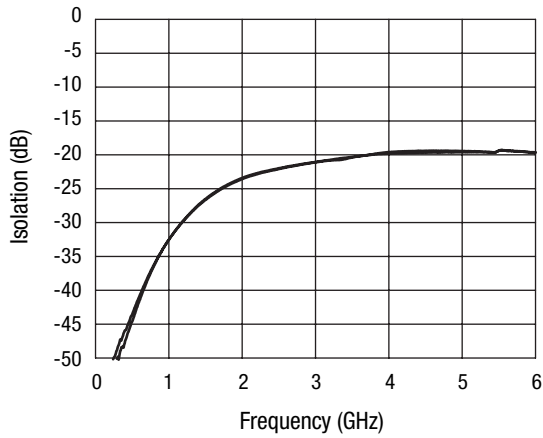


Figure 4. Isolation, TX - RX/ANT1 - ANT2 vs. Frequency

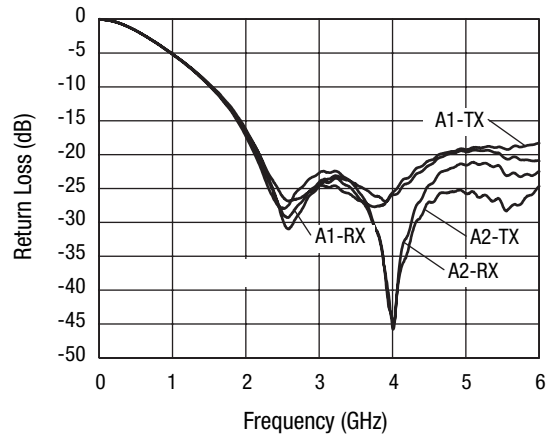
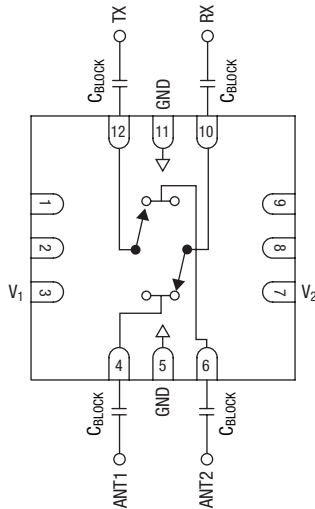


Figure 5. Return Loss vs. Frequency



C_{BLOCK} = 4.7 pF

Figure 6. Pin Out Top View

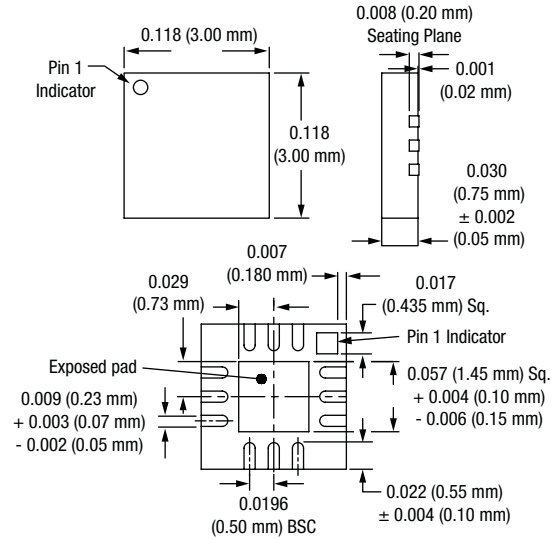


Figure 7. QFN-12 Package Outline

Table 4. Truth Table¹

V ₁	V ₂	Low Insertion Loss Paths
V _{LOW}	V _{HIGH}	ANT1 - T _X , ANT2 - R _X
V _{HIGH}	V _{LOW}	ANT2 - T _X , ANT1 - R _X
V _{LOW}	V _{LOW}	Not allowed
V _{HIGH}	V _{HIGH}	Not allowed

1. 3 V ≤ V_{HIGH} ≤ 5 V, 0 ≤ V_{LOW} ≤ 0.2 V.

Table 5. Pin Descriptions

Pin Number	Pin Name	Description
1, 2, 8, 9		Not connected
3	V ₁	Control voltage 1 – Control voltage input #1. The logic level voltage applied to this pin, along with the level voltage applied to pin 7, determines the states of the RF paths between the TX, RX, ANT1 and ANT2 ports
4	ANT1	RF input/output – RF input/output port which is either connected via a low insertion loss path to the TX or RX port, according to the logic levels applied to V ₁ and V ₂
6	ANT2	RF input/output – RF input/output port which is either connected via a low insertion loss path to the TX or RX port, according to the logic levels applied to V ₁ and V ₂
5, 11	GND	Equipotential point - Internal circuit common, which must be connected to the pcb ground or common via the lowest possible impedance
7	V ₂	Control voltage 2 – Control voltage input #2. The logic level voltage applied to this pin, along with the level voltage applied to pin 3, determines the states of the RF paths between the TX, RX, ANT1 and ANT2 ports
10	R _X	RF output – RF output port which is typically connected to the input of a receiver signal path
12	T _X	RF input – RF input port which is typically connected to the output of a transmitter signal path

Evaluation Board

The evaluation board for SKY13267-321 allows the part to be fully exercised. Note that blocking capacitors are required on each RF port (TX, RX, ANT1 and ANT2).

The state of the SKY13267-321 is controlled by applying the appropriate logic level voltages to ports V_1 and V_2 , per Table 4.

Table 6. Evaluation Board Components

Component	Description	Default
C_{BLOCK}	DC blocking capacitor	4.7 pF, size 0402
U1	SKY13267-321 GaAs T/R-diversity switch	
TX, RX, ANT1, ANT2	SMA connectors	

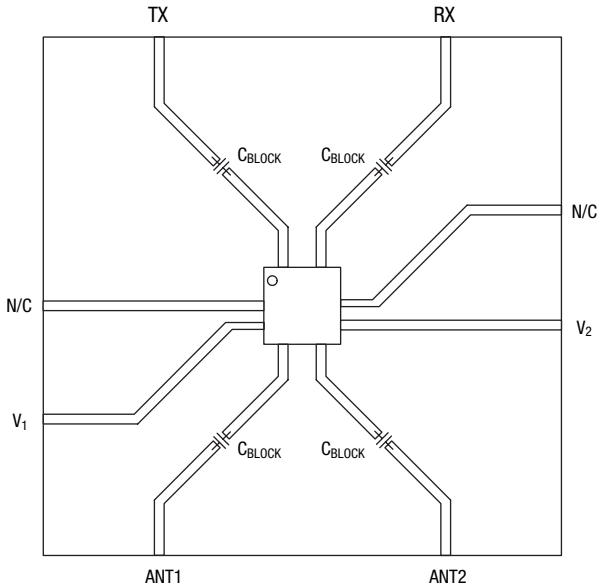


Figure 8. SKY13267-321 Evaluation Circuit

Copyright © 2002, 2003, 2004, Skyworks Solutions, Inc. All Rights Reserved.

Information in this document is provided in connection with Skyworks Solutions, Inc. ("Skyworks") products. These materials are provided by Skyworks as a service to its customers and may be used for informational purposes only by the customer. Skyworks assumes no responsibility for errors or omissions in these materials. Skyworks may make changes to its documentation, products, specifications and product descriptions at any time, without notice. Skyworks makes no commitment to update the information and shall have no responsibility whatsoever for conflicts, incompatibilities, or other difficulties arising from future changes to its documentation, products, specifications and product descriptions.

No license, express or implied, by estoppel or otherwise, to any intellectual property rights is granted by or under this document. Except as may be provided in Skyworks Terms and Conditions of Sale for such products, Skyworks assumes no liability whatsoever in association with its documentation, products, specifications and product descriptions.

THESE MATERIALS ARE PROVIDED "AS IS" WITHOUT WARRANTY OF ANY KIND, EITHER EXPRESS OR IMPLIED OR OTHERWISE, RELATING TO SALE AND/OR USE OF SKYWORKS PRODUCTS INCLUDING WARRANTIES RELATING TO FITNESS FOR A PARTICULAR PURPOSE, MERCHANTABILITY, PERFORMANCE, QUALITY OR NON-INFRINGEMENT OF ANY PATENT, COPYRIGHT OR OTHER INTELLECTUAL PROPERTY RIGHT. SKYWORKS FURTHER DOES NOT WARRANT THE ACCURACY OR COMPLETENESS OF THE INFORMATION, TEXT, GRAPHICS OR OTHER ITEMS CONTAINED WITHIN THESE MATERIALS. SKYWORKS SHALL NOT BE LIABLE FOR ANY DAMAGES, INCLUDING SPECIAL, INDIRECT, INCIDENTAL, OR CONSEQUENTIAL DAMAGES, INCLUDING WITHOUT LIMITATION, LOST REVENUES OR LOST PROFITS THAT MAY RESULT FROM THE USE OF THESE MATERIALS WHETHER OR NOT THE RECIPIENT OF MATERIALS HAS BEEN ADVISED OF THE POSSIBILITY OF SUCH DAMAGE.

Skyworks products are not intended for use in medical, lifesaving or life-sustaining applications. Skyworks customers using or selling Skyworks products for use in such applications do so at their own risk and agree to fully indemnify Skyworks for any damages resulting from such improper use or sale.

The following are trademarks of Skyworks Solutions, Inc.: Skyworks™, the Skyworks logo, and Breakthrough Simplicity™. Product names or services listed in this publication are for identification purposes only, and may be trademarks of Skyworks or other third parties. Third-party brands and names are the property of their respective owners. Additional information, posted at www.skyworksinc.com, is incorporated by reference.