

Preliminary



For prototype or pre-production sample please contact RFM Sales.

SF2110D

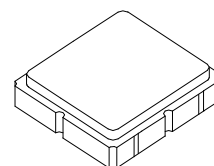
**305.00 MHz
SAW Filter**

- **Low Insertion Loss**
- **3.8 X 3.8 X 1.2 mm Surface-Mount Case**
- **Differential 750 Ohm IN and 900 Ohm Out**
- **Complies with Directive 2002/95/EC (RoHS)**



Absolute Maximum Ratings

Rating	Value	Units
Maximum Incident Power in Passband	+10	dBm
Max. DC voltage between any 2 terminals	30	VDC
Storage Temperature Range	-40 to +85	°C
Suitable for lead-free soldering - Max Soldering Profile	260°C for 30 s	



SM3838-8

Electrical Characteristics

Characteristic	Sym	Notes	Min	Typ	Max	Units
Center Frequency	f_c	1		305		MHz
Insertion Loss	IL			9	12	dB
Amplitude Ripple (p-p)		fc-5 to fc+5 MHz		0.7	2.0	dB
Low Side Attenuation (266~290)			35	45		dB
High Side Attenuation (320~344)			35	50		
Delay Ripple (p-p)		fc-5 to fc+5 MHz		30	100	ns
Group Delay in Passband		1, 2, 3			500	
Case Style		6	SM3838-8 3.8 x 3.8 mm Nominal Footprint			
Lid Symbolization (Y=year, WW=week, S=shift) See note 4			608 YWWS			

Notes:

1. Unless noted otherwise, all specifications apply over the operating temperature range with filter soldered to the specified demonstration board with impedance matching to 50 Ω and measured with 50 Ω network analyzer.
2. Unless noted otherwise, all frequency specifications are referenced to the nominal center frequency, f_c .
3. Rejection is measured as attenuation below the minimum IL point in the passband. Rejection in final user application is dependent on PCB layout and external impedance matching design. See Application Note No. 42 for details.
4. The design, manufacturing process, and specifications of this filter are subject to change.

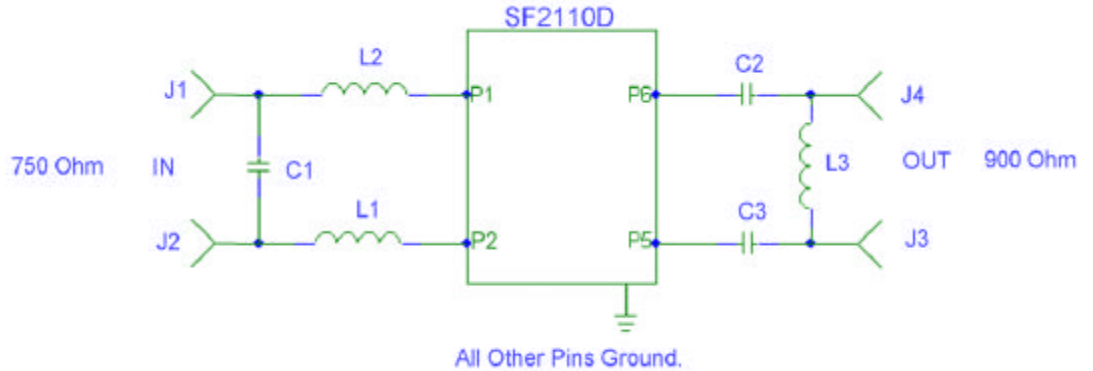
5. Tape and Reel Standard Per ANSI / EIA 481.
6. US and international patents may apply.
7. RFM, stylized RFM logo, and RF Monolithics, Inc. are registered trademarks of RF Monolithics, Inc.
8. ©Copyright 1999, RF Monolithics Inc.

Electrostatic Sensitive Device. Observe precautions for handling

305.000 MHz

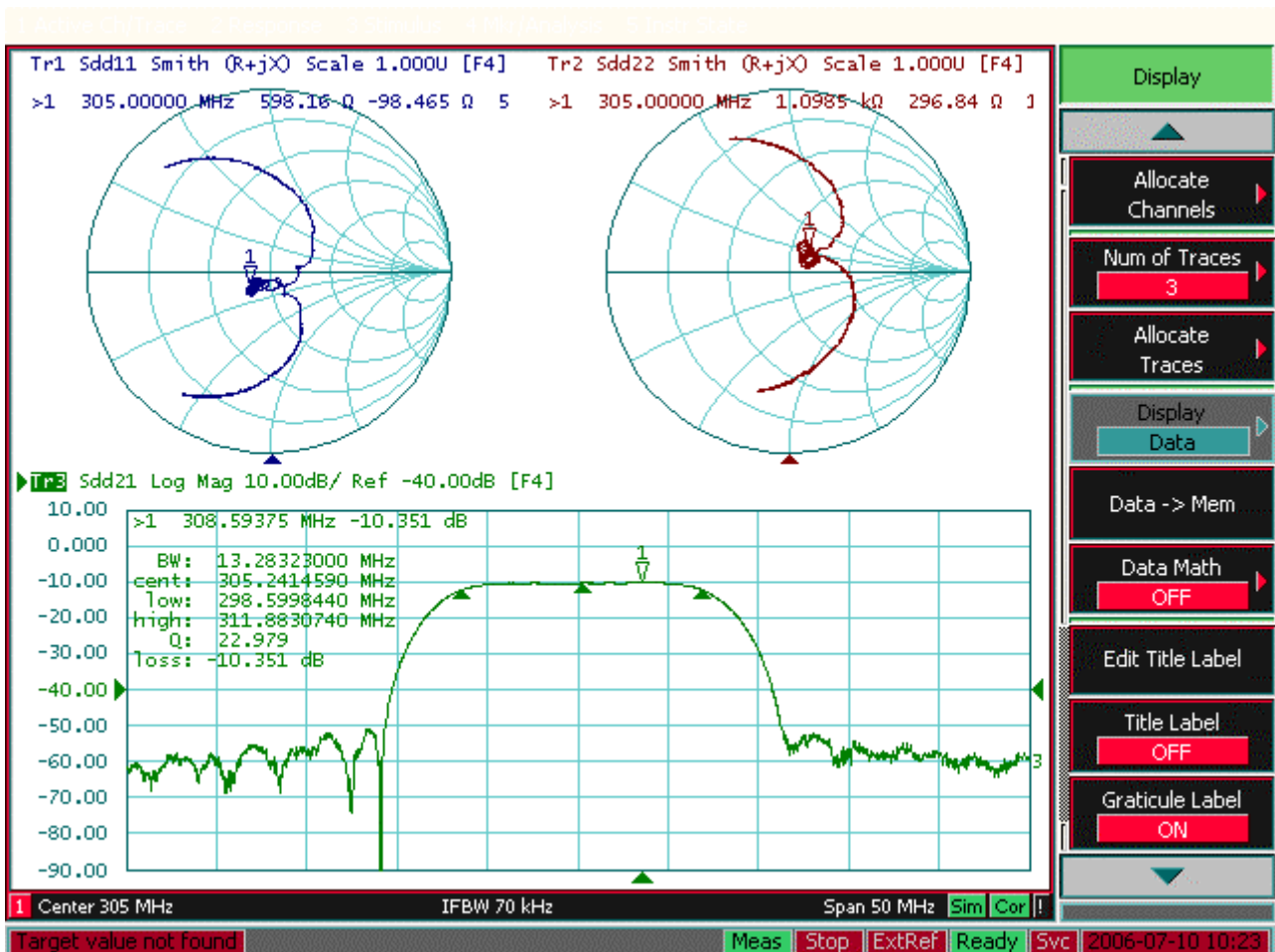
SAW Filter

I. Differential Matching

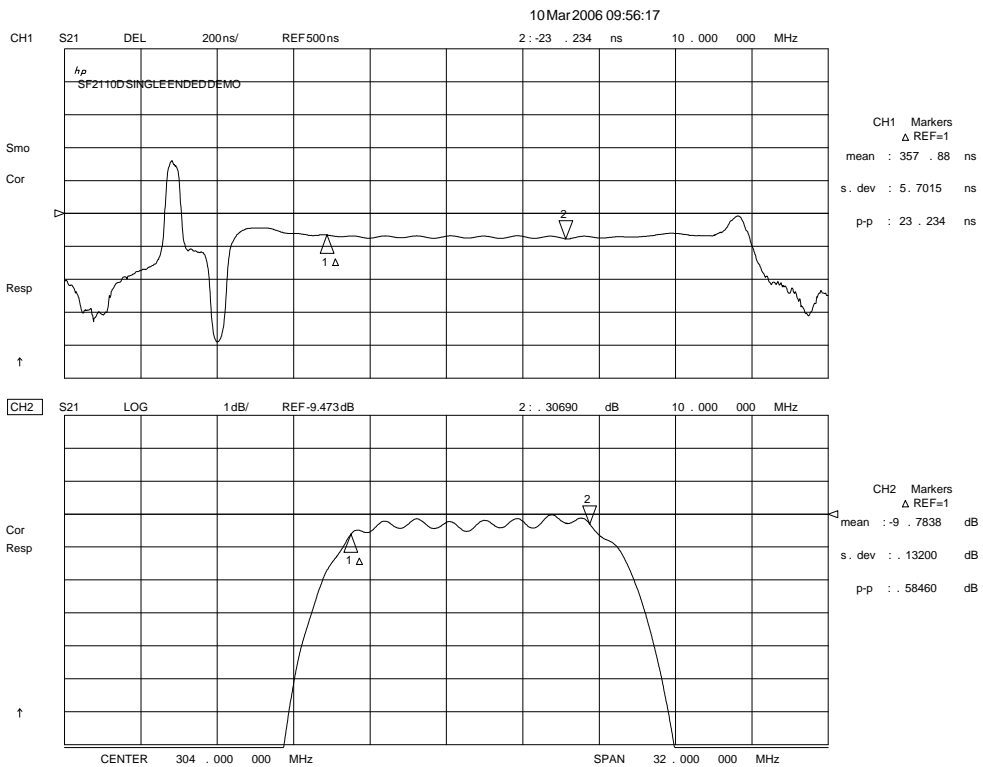
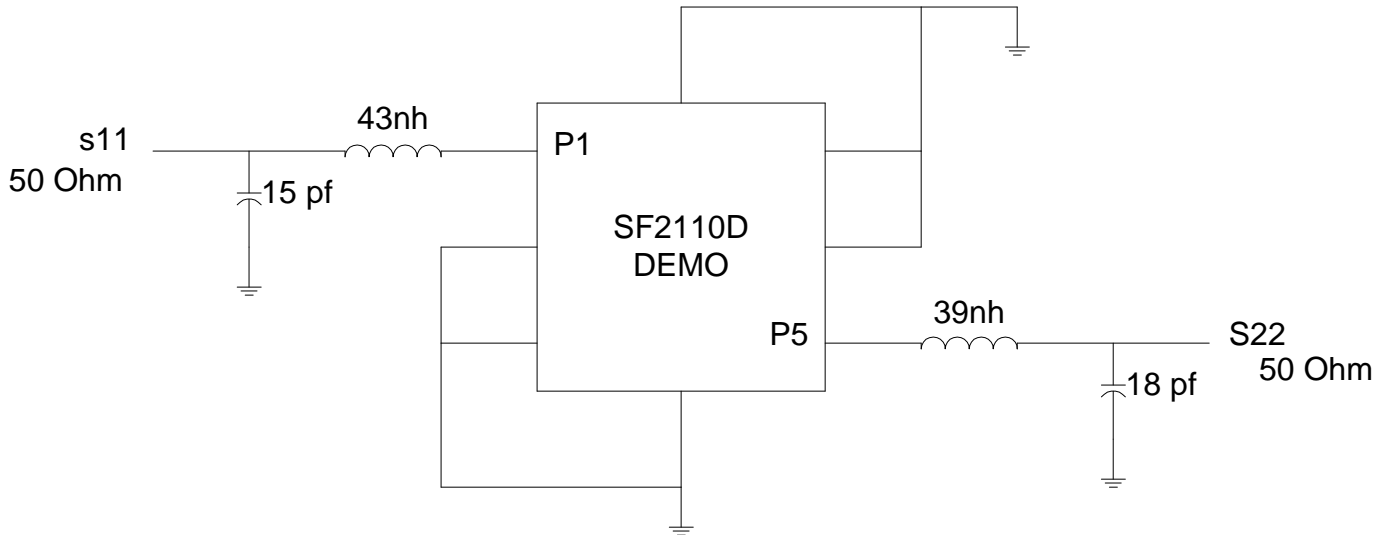


SF2110D Demo

- PCB=400-1724-001 4 port
- J1-J4=500-1279-001 SMACONN
- L1-L2=500-1282-470 47nH 0402
- L3=500-1282-560 56nH 0402
- C1=501-0857-047 4.7pF 0402
- C2=501-0857-180 18pF 0402
- C3=501-0857-220 22pF 0402

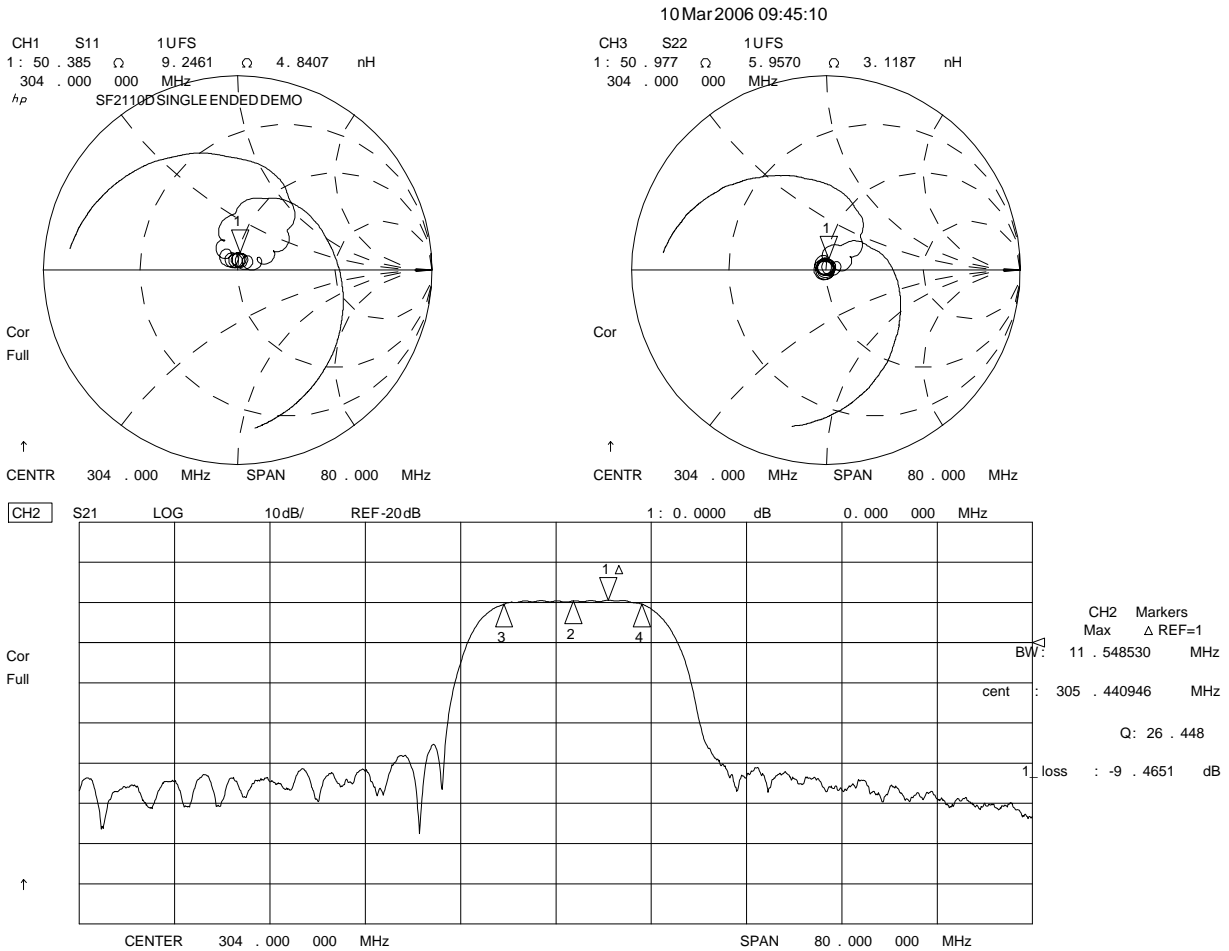


II. Single End Matching



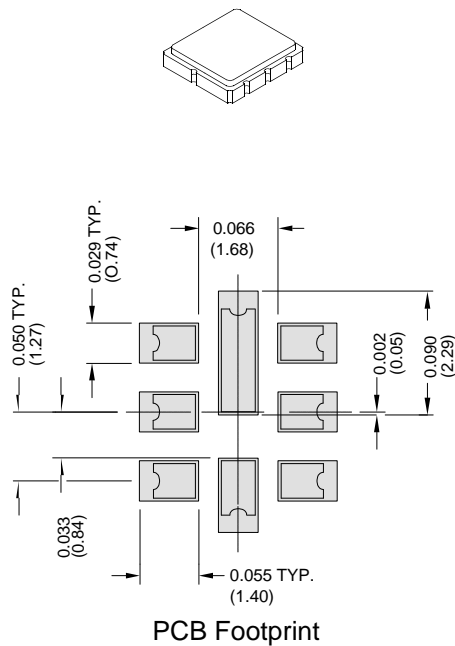
305.000 MHz

SAW Filter



SM3838-8 Case

8-Terminal Ceramic Surface-Mount Case
3.8 X 3.8 mm Nominal Footprint



Dimension	mm			Inches		
	Min	Nom	Max	Min	Nom	Max
A	3.6	3.8	4.0	0.142	0.150	0.157
B	3.6	3.8	4.0	0.142	0.150	0.157
C	1.05	1.20	1.35	0.041	0.047	0.053
D	0.95	1.10	1.25	0.037	0.043	0.049
E	0.90	1.00	1.10	0.035	0.040	0.043
F	0.50	0.60	0.70	0.020	0.024	0.028
G	2.39	2.54	2.69	0.090	0.100	0.110
H	1.40	1.75	2.05	0.055	0.069	0.080

Electrical Connections		
	Connection	Terminals
Port 1	Differential Input	1, 2
Port 2	Differential Output	5, 6
	Ground	All Others
Single Ended Operation		Return is Ground
Differential Operation		Return is Hot
Dot Indicates Pin 1		

Materials	
Solder Pad Termination	Au plating 30 - 60 unches (76.2-152 uM) over 80-200 unches (203-508 uM) Ni.
Lid	Fe-Ni-Co Alloy Electroless Nickel Plate (8-11% Phosphorus) 100-200 unches Thick
Body	Al ₂ O ₃ Ceramic
Pb Free	

TOP VIEW

BOTTOM VIEW

