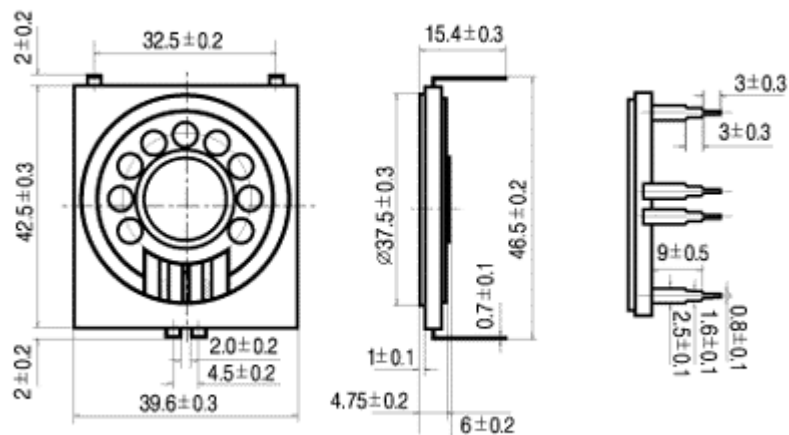




Type	BMS-3608H
Rated Impedance( $\Omega$ )	$8\pm 15\%$
Rated(Max.) Power(W)	0.25(0.5)
Resonant Frequency(Hz)	$450\pm 100$
Rated Freq.Range(Hz)	$f_0\sim 5000$
Sound Pressure Level(dB)	$83\pm 3$
Magnet(g)	1.1
Operating Temperature( $^{\circ}\text{C}$ )	$-40\sim +90$

**OEM pin or extended wire with connector**



Unit:mm

