



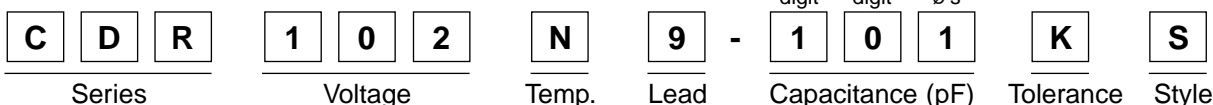
FEATURES

- Linear temperature coefficient of capacitance
- High stability of capacitance
- Low loss across a wide frequency range

CHARACTERISTICS

| Item | Characteristics |
|------------------------------|---|
| Operating Temperature Range | -25°C ~ +85°C |
| Capacitance Tolerance (min.) | Within the tolerance at 1MHz, 1~3Vrms, 25°C |
| Working Voltage (WVDC) | 1KWV, 2KWV, 3KWV, or 6KWV |
| Insulation Resistance | 10,000MΩ min. or 200MΩ x μF whichever is the smaller |
| Test Voltage | 3 x WVDC |
| Life Test | At 2 x WVDC @85°C for 1000 hours @ 85°C, capacitors shall meet the following: the capacitance change for ≤30pF will be ≤±5% or ≤0.5pF; for >30pF the capacitance change will be ≤±5%. For ≤30pF Q ≥ 27.5 = 5/3C; for >30pF Q ≥ 350 |
| Humidity Test | At exposure in the ambient temperature of 40°C, and at 95% RH for 500 hours the capacitors shall meet the following after 24 hours exposure at room temperature: the capacitance change for ≤30pF will be ≤±5% or ≤0.5pF; for >30pF the capacitance change will be ≤±5%. For ≤30pF Q ≥ 27.5 = 5/3C; for >30pF Q ≥ 350 |

PART NUMBERING SYSTEM



| Voltage | Code |
|---------|------|
| 1KV | 102 |
| 2KV | 202 |
| 3KV | 302 |
| 6KV | 602 |

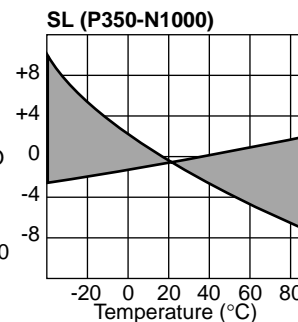
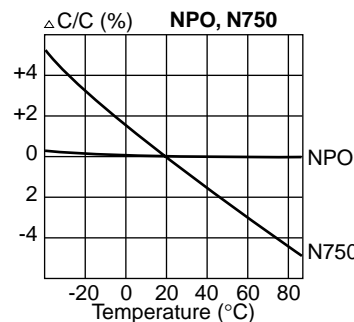
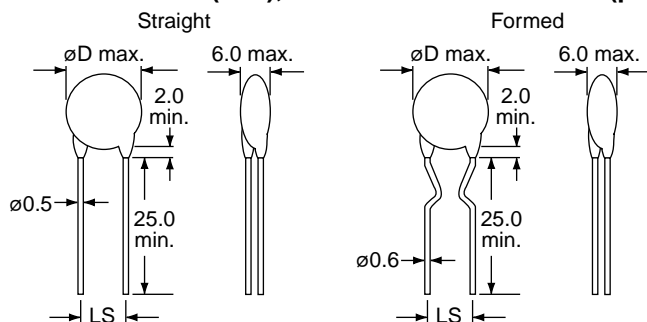
| Temp. Coeff. | Code |
|--------------|------|
| NPO | N |
| SL | S |

| Lead Space | Code |
|------------|------|
| 6.35mm | 6 |
| 9.52mm | 9 |

| Tolerance | Code | Tolerance | Code |
|-----------|------|-----------|------|
| ±0.25pF | C | ±20% | M |
| ±5% | J | ±0.5pF | D |
| ±10% | K | +80/-20% | Z |

| Style | Code |
|----------|------|
| Straight | S |
| Formed | F |

DIMENSIONS (mm), CAPACITANCE RANGES (pF), TYPICAL TEMPERATURE CHARACTERISTICS



| Dimensions | | Working Voltage (WV); Temperature Coefficient; Capacitance Range (pF) | | | | | | | |
|------------|---------|---|-----------|---------|-----------|---------|----------|---------|-----------|
| | | 1KV | | 2KV | | 3KV | | 6KV | |
| øD (mm) | LS (mm) | NPO | SL | NPO | SL | NPO | SL | NPO | SL |
| 6.5 | 6.35 | 1 ~ 25 | 30 ~ 80 | --- | --- | --- | --- | --- | --- |
| 7 | 6.35 | --- | --- | 1 ~ 10 | 20 ~ 33 | --- | --- | --- | --- |
| 8.5 | 6.35 | 26 ~ 40 | 81 ~ 40 | 11 ~ 18 | 34 ~ 68 | --- | --- | --- | 10 ~ 22 |
| 9.5 | 6.35 | 41 ~ 70 | 141 ~ 240 | --- | --- | --- | --- | 10 | 33 |
| 10 | 6.35 | --- | --- | --- | 69 ~ 100 | 1 ~ 16 | 15 ~ 56 | 12 ~ 15 | 47 ~ 56 |
| 11 | 6.35 | --- | --- | 19 ~ 39 | 110 ~ 140 | 18 ~ 24 | 62 ~ 82 | --- | --- |
| 12 | 9.52 | --- | --- | --- | --- | --- | --- | 18 ~ 22 | 68 ~ 100 |
| 13 | 9.52 | 71 ~ 120 | 241 ~ 400 | 40 ~ 62 | 150 ~ 230 | --- | --- | --- | --- |
| 14 | 9.52 | --- | --- | --- | --- | --- | --- | 33 | 120 |
| 16 | 9.52 | --- | --- | 63 ~ 82 | 240 ~ 310 | 27 ~ 51 | 91 ~ 160 | 47 ~ 56 | 150 ~ 180 |
| 18 | 9.52 | --- | --- | --- | --- | --- | --- | 68 ~ 82 | 220 |
| 20 | 9.52 | --- | --- | --- | --- | --- | --- | 100 | 330 |

